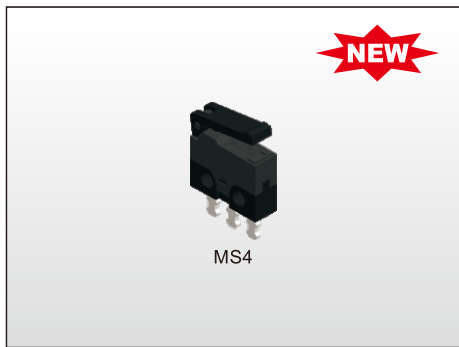


MICRO SWITCH MS4 SERIES



MS4

FEATURES

- ※8.2x2.7x6.15mm
- ※PCB
- ※Vertical & Right Angle

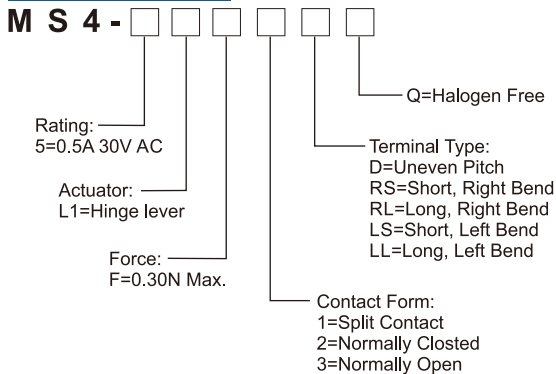
APPLICATION

- ※Mapping device
- ※Small audio equipment
- ※OA equipment
- ※Portable electronic devices

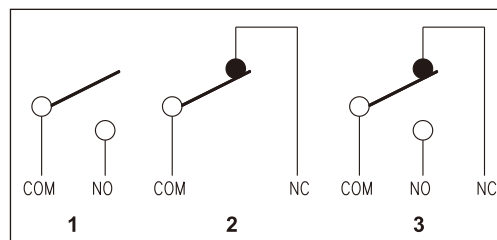
SPECIFICATION

Contact Rating	0.3A, 30V DC
Mechanical Durability	100,000 cycles (60 Operations/min)
Electrical Durability	50,000 cycles (20 Operations/min)
Contact Resistance	100mΩ max.
Insulation Resistance	100MΩ min. (at 500V VDC)
Dielectric Strength	Between terminals of the same polarity: 250 V AC(50Hz or 60Hz) shall be applied across terminals for 1 minute
	Between each terminal and ground: 250 V AC(50Hz or 60Hz) shall be applied across terminals for 1 minute
Operating Frequency	Machanical: 60 operations/min max. Electrical: 20 operations/min max.
Operating Temp.	-40°C ~ +85°C

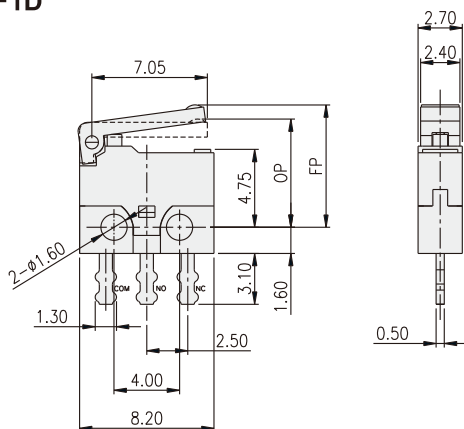
HOW TO ORDER



CIRCUIT



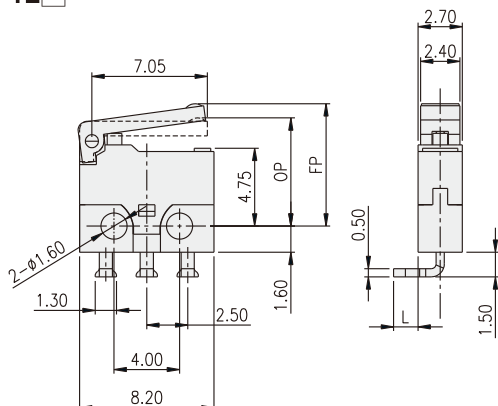
MS4-5L1F1D



OPERATING CHARACTERISTICS

ITEM	SPEC.
OPERATING FORCE	0.50N MAX.
RELEASE FORCE	0.03N MIN.
OVERTRAVEL	0.30mm MIN.
MOVEMENT DIFFERENTIAL	0.70mm MAX.
OPERATING POSITION	6.70±0.50mm
FREE POSITION	8.0mm MAX.
PRETRAVEL	1.80mm MAX.

MS4-5L1F1L



PART NO	L
MS4-5L1F1LSQ	1.50
MS4-5L1F1LLQ	3.10

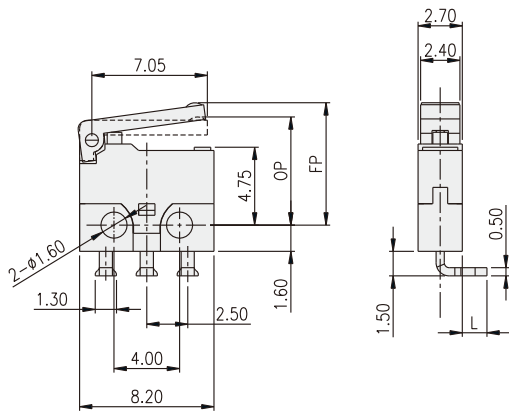
OPERATING CHARACTERISTICS

ITEM	SPEC.
OPERATING FORCE	0.50N MAX.
RELEASE FORCE	0.03N MIN.
OVERTRAVEL	0.30mm MIN.
MOVEMENT DIFFERENTIAL	0.70mm MAX.
OPERATING POSITION	6.70±0.50mm
FREE POSITION	8.0mm MAX.
PRETRAVEL	1.80mm MAX.

MICRO SWITCH
MS4 SERIES



MS4-5L1F1R□



PART NO	L
MS4-5L1F1RSQ	1.50
MS4-5L1F1RLQ	3.10

OPERATING CHARACTERISTICS

ITEM	SPEC.
OPERATING FORCE	0.50N MAX.
RELEASE FORCE	0.03N MIN.
OVERTRAVEL	0.30mm MIN.
MOVEMENT DIFFERENTIAL	0.70mm MAX.
OPERATING POSITION	6.70±0.50mm
FREE POSITION	8.0mm MAX.
PRETRAVEL	1.80mm MAX.

X-ON Electronics

Largest Supplier of Electrical and Electronic Components

Click to view similar products for [Basic / Snap Action Switches](#) category:

Click to view products by [Diptronics](#) manufacturer:

Other Similar products are found below :

[5SM901-S12](#) [5SM9-S12N195](#) [602EN532](#) [602EN535-RB](#) [602HE5-RB1](#) [604HE162](#) [604HE223-6B](#) [624HE17-RB](#) [6HM82](#) [6HM89](#) [6SE1](#)
[6SX1-H58](#) [70500216](#) [70599106](#) [MBD5B1](#) [MBH2731](#) [73-316-0012](#) [EXD-AR20](#) [79211923](#) [79218589](#) [7AS12](#)
[MIL30126AB6BBMD4A12XAU](#) [ML-1155](#) [ML-1376](#) [831010C3.0](#) [831090C2.EL](#) [83131904](#) [84212012](#) [8AS239](#) [8HM73-3](#) [8SX26-H33](#)
[914CE1-6G](#) [PL-100](#) [11SM1077-H4](#) [11SM1077-H58](#) [11SM1-TN107](#) [11SM405](#) [11SM8423-H2](#) [11SX37-T](#) [11SX48-H58](#) [11SM2442-T](#)
[11SM76-T](#) [11SM77-H58](#) [11SM77-T](#) [11SM863-T](#) [11SM866](#) [A7CN-1M-1-LEFT](#) [A831700C7.0](#) [121EN188-R](#) [1245.0120](#)