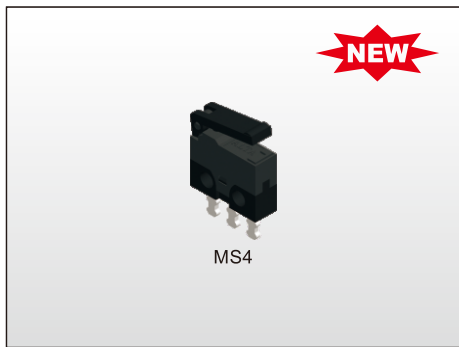


MICRO SWITCH MS4 SERIES



MS4

FEATURES

- ※8.2x2.7x6.15mm
- ※PCB terminal
- ※Vertical & right angle

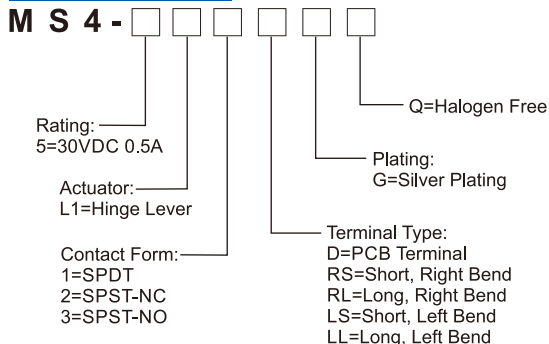
APPLICATION

- ※Mapping device
- ※Small audio equipment
- ※OA equipment
- ※Portable electronic devices

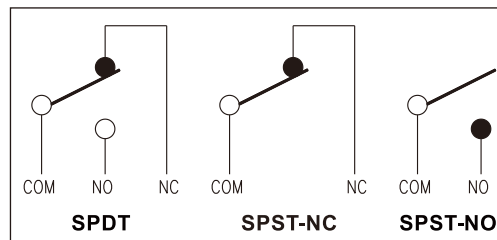
SPECIFICATION

Contact Rating	0.5A, 30VDC
Mechanical Durability	100,000 cycles MIN.
Electrical Durability	50,000 cycles MIN.
Contact Resistance	100mΩ MAX.
Insulation Resistance	100MΩ MIN. (at 100VDC)
Dielectric Strength	Between terminals of the same polarity: 250VAC(50Hz or 60Hz) shall be applied across terminals for 1 minute
	Between each terminal and ground: 250VAC(50Hz or 60Hz) shall be applied across terminals for 1 minute
	Between each terminal and non-current-carrying metal parts 1500VAC(50Hz or 60Hz) shall be applied across terminals for 1 minute
Operating Temp.	-40°C ~ +85°C

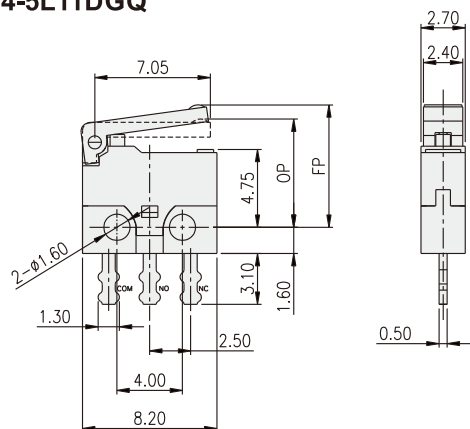
HOW TO ORDER



CIRCUIT



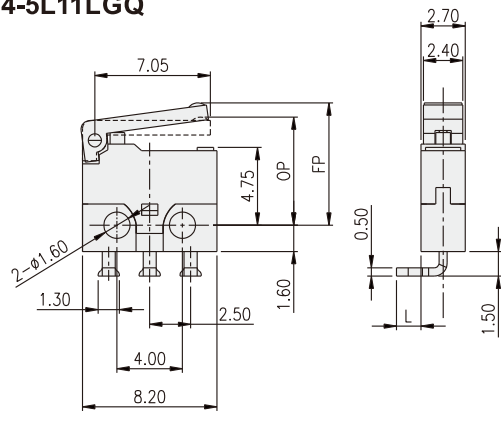
MS4-5L11DGQ



OPERATING CHARACTERISTICS

ITEM	SPEC.
OPERATING FORCE(OF)	50gf (0.5N) MAX.
RELEASE FORCE(RF)	3gf (0.03N) MIN.
PRETRAVEL(PT)	1.80mm MAX.
OVERTRAVEL(OT)	0.30mm MIN.
MOVEMENT DIFFERENTIAL(MD)	0.70mm MAX.
OPERATING POSITION(OP)	6.70±0.50mm
FREE POSITION(FP)	8.0mm MAX.

MS4-5L11LGQ



OPERATING CHARACTERISTICS

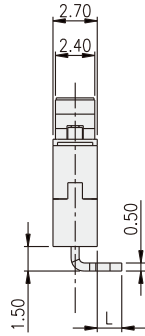
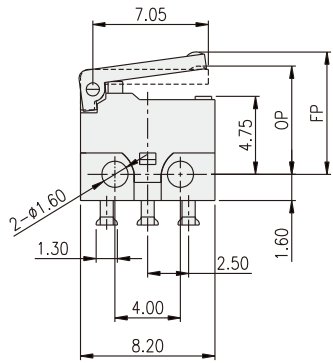
ITEM	SPEC.
OPERATING FORCE(OF)	50gf (0.5N) MAX.
RELEASE FORCE(RF)	3gf (0.03N) MIN.
PRETRAVEL(PT)	1.80mm MAX.
OVERTRAVEL(OT)	0.30mm MIN.
MOVEMENT DIFFERENTIAL(MD)	0.70mm MAX.
OPERATING POSITION(OP)	6.70±0.50mm
FREE POSITION(FP)	8.0mm MAX.

PART NO	L
MS4-5L11LSGQ	1.50
MS4-5L11LLGQ	3.10

MICRO SWITCH
MS4 SERIES



MS4-5L11RGQ



PART NO	L
MS4-5L11RSGQ	1.50
MS4-5L11RLCQ	3.10

OPERATING CHARACTERISTICS

ITEM	SPEC.
OPERATING FORCE(OF)	50gf (0.5N) MAX.
RELEASE FORCE(RF)	3gf (0.03N) MIN.
PRETRAVEL(PT)	1.80mm MAX.
OVERTRAVEL(OT)	0.30mm MIN.
MOVEMENT DIFFERENTIAL(MD)	0.70mm MAX.
OPERATING POSITION(OP)	6.70±0.50mm
FREE POSITION(FP)	8.0mm MAX.

X-ON Electronics

Largest Supplier of Electrical and Electronic Components

Click to view similar products for [Basic / Snap Action Switches](#) category:

Click to view products by [Diptronics](#) manufacturer:

Other Similar products are found below :

[5SM901-S12](#) [5SM9-S12N195](#) [602EN532](#) [602EN535-RB](#) [602HE5-RB1](#) [604HE162](#) [604HE223-6B](#) [624HE17-RB](#) [6HM82](#) [6HM89](#) [6SE1](#)
[6SX1-H58](#) [70500216](#) [70599106](#) [MBD5B1](#) [MBH2731](#) [73-316-0012](#) [EXD-AR20](#) [79211923](#) [79218589](#) [7AS12](#)
[MIL30126AB6BBMD4A12XAU](#) [ML-1155](#) [ML-1376](#) [831010C3.0](#) [831090C2.EL](#) [83131904](#) [84212012](#) [8AS239](#) [8HM73-3](#) [8SX26-H33](#)
[914CE1-6G](#) [PL-100](#) [11SM1077-H4](#) [11SM1077-H58](#) [11SM1-TN107](#) [11SM405](#) [11SM8423-H2](#) [11SX37-T](#) [11SX48-H58](#) [11SM2442-T](#)
[11SM76-T](#) [11SM77-H58](#) [11SM77-T](#) [11SM863-T](#) [11SM866](#) [A7CN-1M-1-LEFT](#) [A831700C7.0](#) [121EN188-R](#) [1245.0120](#)