

FEATURES

- ※ Sealed IP67
- ※ 14.7x5.4x12mm
- ※ Switch with connectorized lead

APPLICATION

- ※ Automobile industry
- ※ Consumer electronics

SPECIFICATION

Contact Rating	0.1A at 48VDC	MS5-01
	0.1A at 125VAC, 250VAC	
	3A at 12VDC	MS5-3
	3A at 125VAC, 250VAC	
Mechanical Durability	500,000 cycles MIN.	
Electrical Durability	100,000 cycles MIN.	
Contact Resistance	150mΩ MAX.	
Insulation Resistance	100MΩ MIN. (at 500VDC)	
Dielectric Strength	Between terminals of the same polarity 600VAC (50Hz or 60Hz) shall be applied across terminals for 1 minute	
	Between each terminal and ground: 1,500VAC (50Hz or 60Hz) shall be applied across terminals for 1 minute	
	Between each terminal and non-current-carrying metal parts 1,500VAC (50Hz or 60Hz) shall be applied across terminals for 1 minute	
	Operating Temp. -40°C~+85°C	

HOW TO ORDER

M S 5 - [] [] [] [] []

CODE	Rating c
01	0.1A at 48VDC 0.1A at 125VAC, 250VAC
3	3A at 12VDC 3A at 125VAC, 250VAC

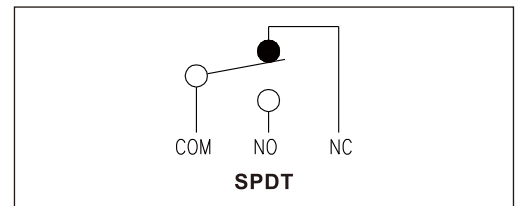
CODE	Terminal Type
W	Lead Wire Wire:UL 1007 AWG24 COM: Black NO: Blue NC: Yellow
S	Solder Terminal

CODE	Actuator
P	Pin Plunger

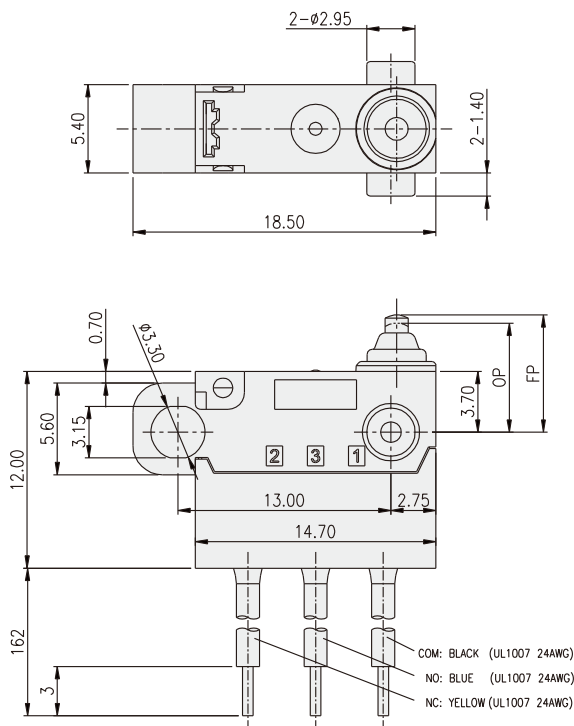
CODE	Force
S	130gf(1.3N)MAX.

CODE	Contact Form
1	SPDT

CIRCUIT



MS5-3PS1W



OPERATING CHARACTERISTICS

ITEM	SPEC.
OPERATING FORCE(OF)	130gf (1.3N) MAX.
RELEASE FORCE(RF)	13gf (0.13N) MIN.
FREE POSITION(FP)	7.35mm MAX.
OVERTRAVEL(OT)	(0.80mm)
MOVEMENT DIFFERENTIAL(MD)	0.20mm MAX.
OPERATING POSITION(OP)	6.40~6.95mm

X-ON Electronics

Largest Supplier of Electrical and Electronic Components

Click to view similar products for [Basic / Snap Action Switches](#) category:

Click to view products by [Diptronics](#) manufacturer:

Other Similar products are found below :

[5SM901-S12](#) [5SM9-S12N195](#) [602EN532](#) [602EN535-RB](#) [602HE5-RB1](#) [604HE223-6B](#) [624HE17-RB](#) [6HM82](#) [6SE1](#) [6SX1-H58](#) [71051](#) [714-0293](#) [MBH2731](#) [79211923](#) [79218589](#) [MIL30126AB6BBMD4A12XAU](#) [ML-1155](#) [ML-1376](#) [831010C3.0](#) [831090C2.EL](#) [83131904](#) [84212012](#) [8AS239](#) [8HM73-3](#) [8SX26-H33](#) [914CE1-6G](#) [11SM1077-H4](#) [11SM1077-H58](#) [11SM1-TN107](#) [11SM405](#) [11SM703-T](#) [11SM8423-H2](#) [11SX37-T](#) [11SX48-H58](#) [11SM2442-T](#) [11SM76-T](#) [11SM77-H58](#) [11SM77-T](#) [11SM863-T](#) [11SM866](#) [121EN188-R](#) [1245.0120](#) [125EN56-RB](#) [D433V3RD](#) [1267.0101](#) [1267.7101](#) [D4BFC1](#) [12SM4-T2](#) [12SX2-T2](#) [1298.0101](#)