

# MICRO SWITCH MS6 SERIES



MS6

## FEATURES

- ※ Compact size: 19.8x6.4x9.4mm
- ※ Quick-connect terminal
- ※ High reliability with long operation life

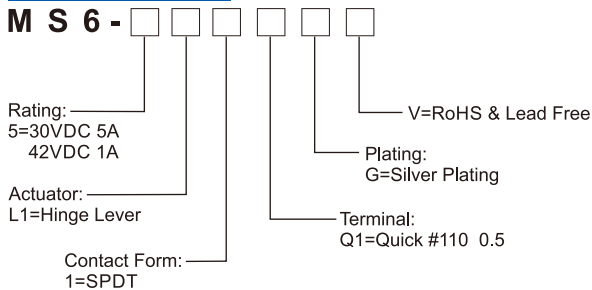
## APPLICATION

- ※ OA equipment
- ※ White goods
- ※ Automotive industry

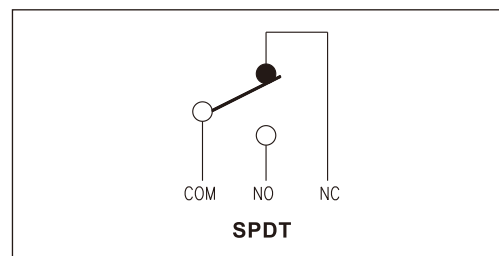
## SPECIFICATION

Contact Rating	5A at 30VDC/1A at 42VDC
Mechanical Durability	300,000 cycles MIN.
Electrical Durability	100,000 cycles MIN.
Contact Resistance	50mΩ MAX.
Insulation Resistance	100MΩ MIN. (at 500VDC)
Dielectric Strength	Between terminals of the same polarity: 600VAC(50Hz or 60Hz) shall be applied across terminals for 1 minute
	Between each terminal and ground: 1500VAC(50Hz or 60Hz) shall be applied across terminals for 1 minute
	Between each terminal and n-current-carrying metal parts 1500VAC (50Hz or 60Hz) shall be applied across terminals for 1 minute
Operating Temp.	-25°C ~ +85°C

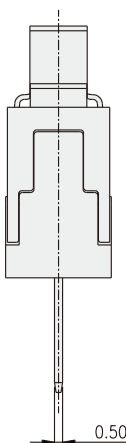
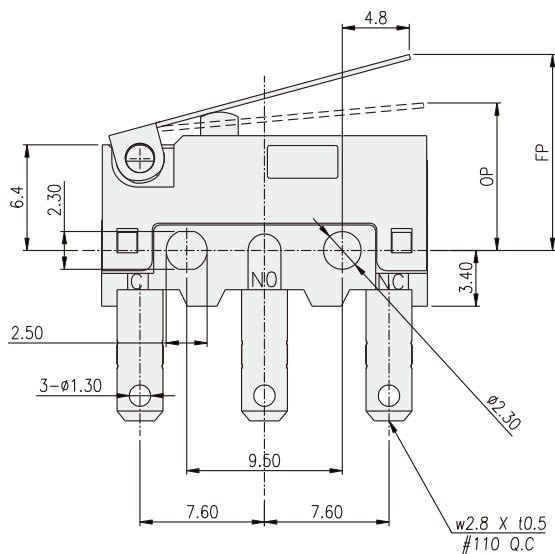
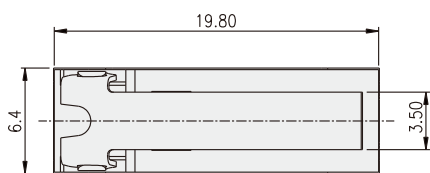
## HOW TO ORDER



## CIRCUIT



## MS6-5L11Q1GV



## OPERATING CHARACTERISTICS

ITEM	SPEC.
OPERATING FORCE(OF)	58.8gf (0.58N)MAX.
RELEASE FORCE(RF)	3gf (0.03N) MIN.
FREE POSITION(FP)	12.6mm MAX.
OVERTRAVEL(OT)	1.3mm MIN.
MOVEMENT DIFFERENTIAL(MD)	0.9mm MAX.
OPERATING POSITION(OP)	9.0±1.0mm

## X-ON Electronics

Largest Supplier of Electrical and Electronic Components

*Click to view similar products for [Basic / Snap Action Switches](#) category:*

*Click to view products by [Diptronics](#) manufacturer:*

Other Similar products are found below :

[5SM901-S12](#) [5SM9-S12N195](#) [602EN532](#) [602EN535-RB](#) [602HE5-RB1](#) [604HE223-6B](#) [624HE17-RB](#) [6HM82](#) [6SE1](#) [6SX1-H58](#) [71051](#) [714-0293](#) [MBH2731](#) [MIL30126AB6BBMD4A12XAU](#) [ML-1155](#) [ML-1376](#) [8AS239](#) [8HM73-3](#) [8SX26-H33](#) [914CE1-6G](#) [11SM1077-H4](#) [11SM1077-H58](#) [11SM1-TN107](#) [11SM405](#) [11SM703-T](#) [11SM8423-H2](#) [11SX37-T](#) [11SX48-H58](#) [11SM2442-T](#) [11SM76-T](#) [11SM77-H58](#) [11SM863-T](#) [11SM866](#) [121EN188-R](#) [1245.0120](#) [125EN56-RB](#) [D433V3RD](#) [1267.0101](#) [1267.7101](#) [D4BFC1](#) [12SM4-T2](#) [12SX2-T2](#) [1298.0101](#) [12SW3-22](#) [DAT533](#) [131EN92-R](#) [131EN93-R](#) [AH34329](#) [AH71502619](#) [13MN2](#)