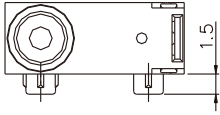


Posts:

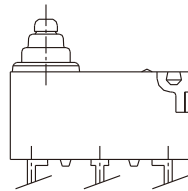
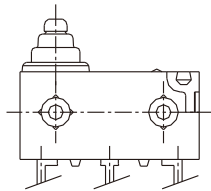
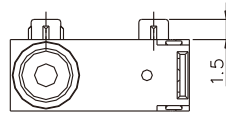
Short Posts on Left

MS7 - □□□□EJ□□□□



Short Posts on Right

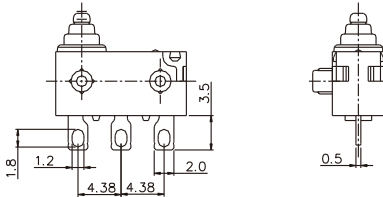
MS7 - □□□□EK□□□□



Terminal:

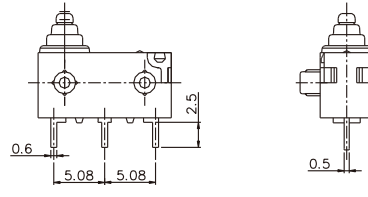
Solder Terminal

MS7 - □□□□W□□□



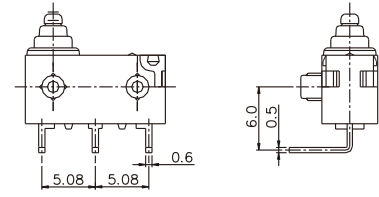
PCB Terminal

MS7 - □□□□H□□□

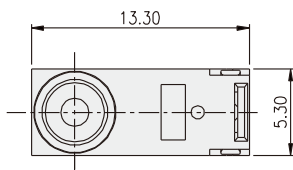


PCB Terminal (Left Angled)

MS7 - □□□□L1□□□□

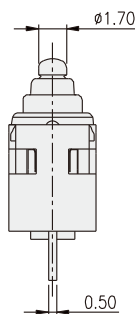
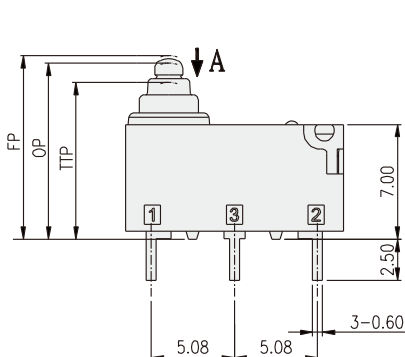


MS7-2P1□HGV

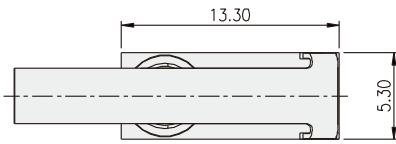


OPERATING CHARACTERISTICS

TYPE	WITHOUT POSTS	MODELES WITH POSTS
ITEM	SPEC.	
OPERATING FORCE(OF)	75gf(0.75N) MAX.	
RELEASE FORCE(RF)	10gf(0.1N) MIN.	
OVERTRAVEL(OT)	1.4mm MIN.(Reference)	
MOVEMENT DIFFERENTIAL(MD)	0.25mm MAX.	
FREE POSITION(FP)	11.2mm MAX.	7.2mm MAX.
OPERATING POSITION(OP)	10.40±0.20mm	6.40±0.20mm
TOTAL TRAVEL POSITION(TTP)	9.1mm MAX.	5.1mm MAX.

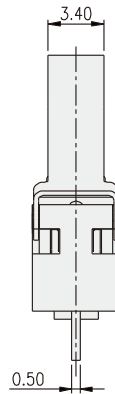
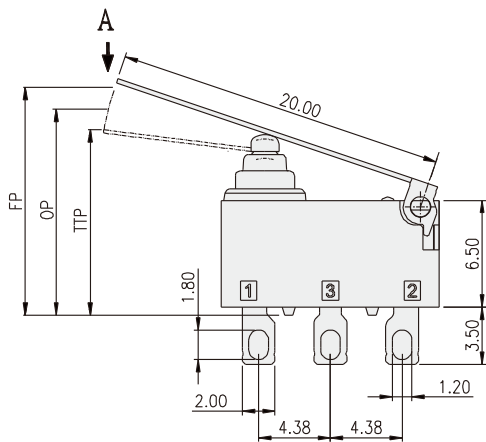


MS7-2L71 □ WGV

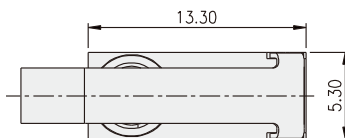


OPERATING CHARACTERISTICS

TYPE	WITHOUT POSTS	MODELES WITH POSTS
ITEM	SPEC.	
OPERATING FORCE(OF)	50gf(0.5N) MAX.	
RELEASE FORCE(RF)	3gf(0.03N) MIN.	
OVERTRAVEL(OT)	2.5mm MIN.(Reference)	
MOVEMENT DIFFERENTIAL(MD)	0.8mm MAX.	
FREE POSITION(FP)	15.5mm MAX.	11.5mm MAX.
OPERATING POSITION(OP)	13.30±0.80mm	9.30±0.80mm
TOTAL TRAVEL POSITION(TTP)	11mm MAX.	7.0mm MAX.

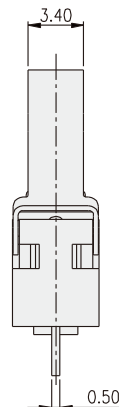
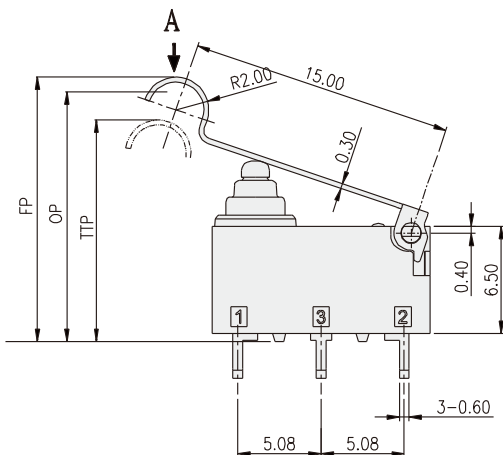


MS7-2S51 □ HGV



OPERATING CHARACTERISTICS

TYPE	WITHOUT POSTS	MODELES WITH POSTS
ITEM	SPEC.	
OPERATING FORCE(OF)	66gf(0.65N) MAX.	
RELEASE FORCE(RF)	5gf(0.05N) MIN.	
OVERTRAVEL(OT)	1.90mm MIN.(Reference)	
MOVEMENT DIFFERENTIAL(MD)	0.5mm MAX.	
FREE POSITION(FP)	16.5mm MAX.	12.5mm MAX.
OPERATING POSITION(OP)	15.20±0.50mm	11.20±0.50mm
TOTAL TRAVEL POSITION(TTP)	13.5mm MAX.	9.5mm MAX.



X-ON Electronics

Largest Supplier of Electrical and Electronic Components

Click to view similar products for [Basic / Snap Action Switches](#) category:

Click to view products by [Diptronics](#) manufacturer:

Other Similar products are found below :

[5SM901-S12](#) [5SM9-S12N195](#) [602EN532](#) [602EN535-RB](#) [602HE5-RB1](#) [604HE162](#) [604HE223-6B](#) [624HE17-RB](#) [6HM82](#) [6HM89](#) [6SE1](#)
[6SX1-H58](#) [70500216](#) [70599106](#) [MBD5B1](#) [MBH2731](#) [73-316-0012](#) [EXD-AR20](#) [79211923](#) [79218589](#) [7AS12](#)
[MIL30126AB6BBMD4A12XAU](#) [ML-1155](#) [ML-1376](#) [831010C3.0](#) [831090C2.EL](#) [83131904](#) [8AS239](#) [8HM73-3](#) [8SX26-H33](#) [914CE1-6G](#)
[PL-100](#) [11SM1077-H4](#) [11SM1077-H58](#) [11SM1-TN107](#) [11SM405](#) [11SM8423-H2](#) [11SX37-T](#) [11SX48-H58](#) [11SM2442-T](#) [11SM76-T](#)
[11SM77-H58](#) [11SM77-T](#) [11SM863-T](#) [11SM866](#) [A7CN-1M-1-LEFT](#) [A831700C7.0](#) [121EN187-R](#) [121EN188-R](#) [1245.0120](#)