

**FEATURES**

- ※Sealed IP67.
- ※Subminiature switch conforming to UL.
- ※PCB terminal available.
- ※Highly reliable with long operation life.

**APPLICATION**

- ※Kitchen appliances
- ※Vacuum cleaner, Printers
- ※White goods
- ※Intelligent lock and low-voltage apparatus

**SPECIFICATION**

Contact Rating	2A at 250VAC/30 VDC
Mechanical Durability	1,000,000 cycles MIN.
Electrical Durability	50,000 cycles MIN.
Contact Resistance	50mΩ MAX.
Insulation Resistance	100MΩ MIN. (at 500VDC)
Dielectric Strength	Between terminals of the same polarity 1,000VAC, 50/60 Hz for 1 minute
	Between current-carrying metal parts and ground 1,500VAC, 50/60 Hz for 1 minute
Operating Temp.	Between each terminal and non-current-carrying metal part 1,500VAC, 50/60 Hz for 1 minute
	-25°C~+85°C

**HOW TO ORDER**

**M S W -** [ ] [ ] [ ] [ ] [ ]

CODE	Rating
2	2A at 30VDC 2A at 250VAC

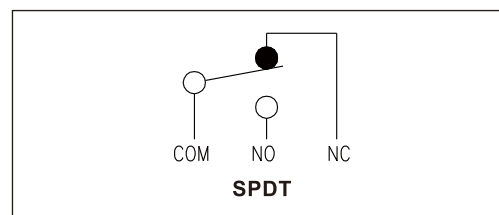
CODE	Actuator
P	Pin Plunger

CODE	Force
N	183gf(1.8N) MAX.

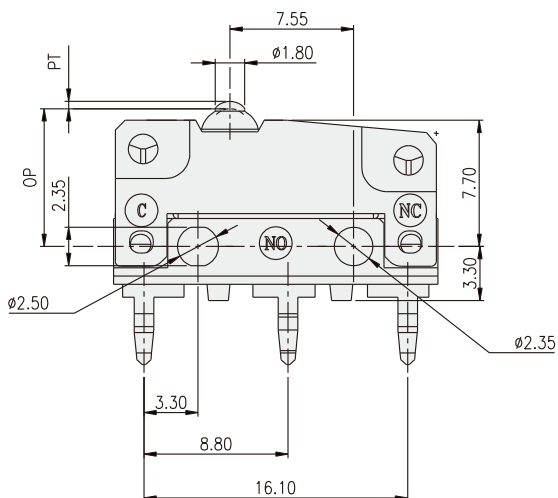
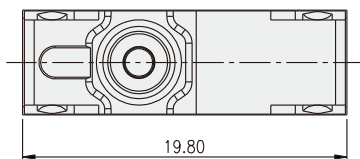
CODE	Contact Form
1	SPDT 

CODE	Terminal Type
D	PCB (Uneven Pitch) 
K	Quick-connect (#110) 
S	Solder 

**CIRCUIT**



**MSW-2PN-1D**



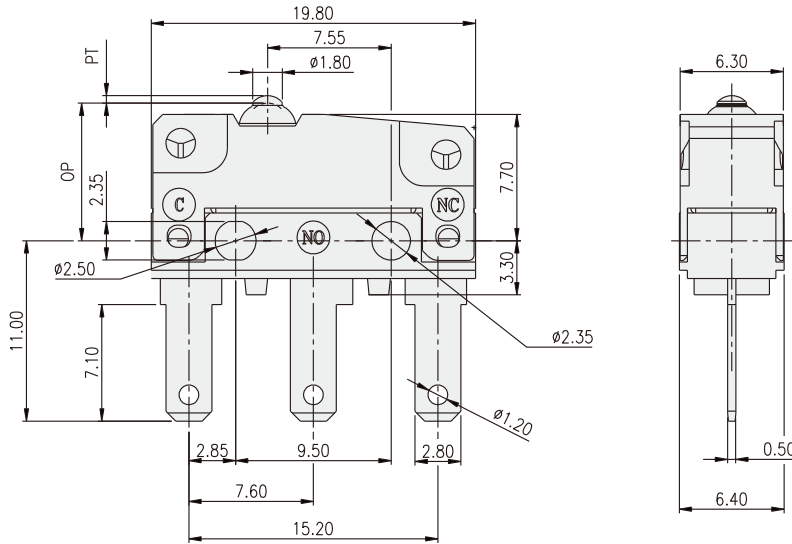
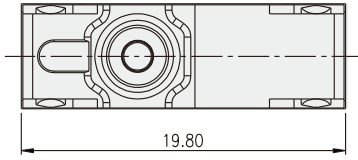
**OPERATING CHARACTERISTICS**

ITEM	SPEC.
OPERATING FORCE(OF)	183gf (1.8N) MAX.
RELEASE FORCE(RF)	20gf (0.2N) MIN.
PRETRAVEL(PT)	0.6mm MAX.
OVERTRAVEL(OT)	0.4mm MIN.
MOVEMENT DIFFERENTIAL(MD)	0.15mm MAX.
OPERATING POSITION(OP)	8.4±0.3mm

**MSW-2PN-1K**

OPERATING CHARACTERISTICS

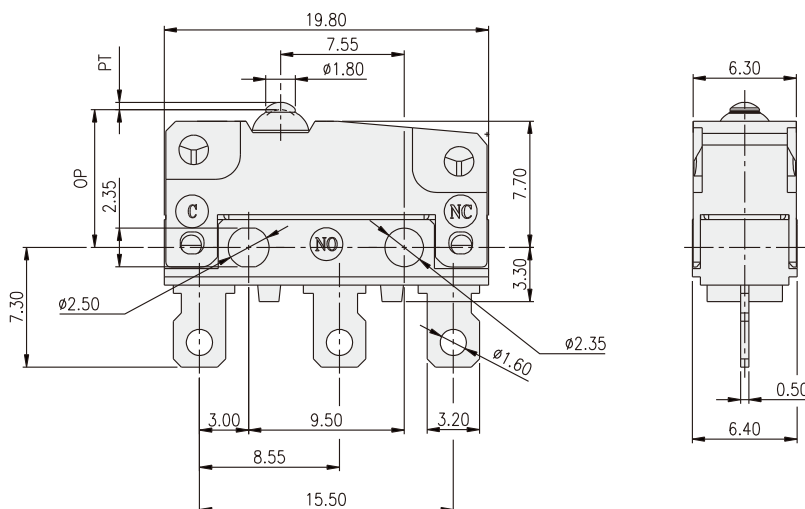
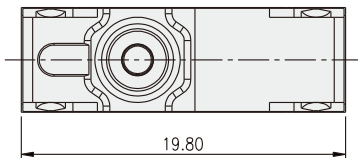
ITEM	SPEC.
OPERATING FORCE(OF)	183gf (1.8N) MAX.
RELEASE FORCE(RF)	20gf (0.2N) MIN.
PRETRAVEL(PT)	0.6mm MAX.
OVERTRAVEL(OT)	0.4mm MIN.
MOVEMENT DIFFERENTIAL(MD)	0.15mm MAX.
OPERATING POSITION(OP)	8.4±0.3mm



**MSW-2PN-1S**

OPERATING CHARACTERISTICS

ITEM	SPEC.
OPERATING FORCE(OF)	183gf (1.8N) MAX.
RELEASE FORCE(RF)	20gf (0.2N) MIN.
PRETRAVEL(PT)	0.6mm MAX.
OVERTRAVEL(OT)	0.4mm MIN.
MOVEMENT DIFFERENTIAL(MD)	0.15mm MAX.
OPERATING POSITION(OP)	8.4±0.3mm



## X-ON Electronics

Largest Supplier of Electrical and Electronic Components

*Click to view similar products for [Basic / Snap Action Switches](#) category:*

*Click to view products by [Diptronics](#) manufacturer:*

Other Similar products are found below :

[5SM901-S12](#) [5SM9-S12N195](#) [602EN532](#) [602EN535-RB](#) [602HE5-RB1](#) [604HE223-6B](#) [624HE17-RB](#) [6HM82](#) [6SE1](#) [6SX1-H58](#) [71051](#) [714-0293](#) [MBH2731](#) [MIL30126AB6BBMD4A12XAU](#) [ML-1155](#) [ML-1376](#) [8AS239](#) [8HM73-3](#) [8SX26-H33](#) [914CE1-6G](#) [11SM1077-H4](#) [11SM1077-H58](#) [11SM1-TN107](#) [11SM405](#) [11SM703-T](#) [11SM8423-H2](#) [11SX37-T](#) [11SX48-H58](#) [11SM2442-T](#) [11SM76-T](#) [11SM77-H58](#) [11SM863-T](#) [11SM866](#) [121EN188-R](#) [1245.0120](#) [125EN56-RB](#) [D433V3RD](#) [1267.0101](#) [1267.7101](#) [D4BFC1](#) [12SM4-T2](#) [12SX2-T2](#) [1298.0101](#) [12SW3-22](#) [DAT533](#) [131EN92-R](#) [131EN93-R](#) [AH34329](#) [AH71502619](#) [13MN2](#)