

**FEATURES**

- ※Side actuation
- ※Gold contact for high reliability
- ※Red, blue, and black color options.

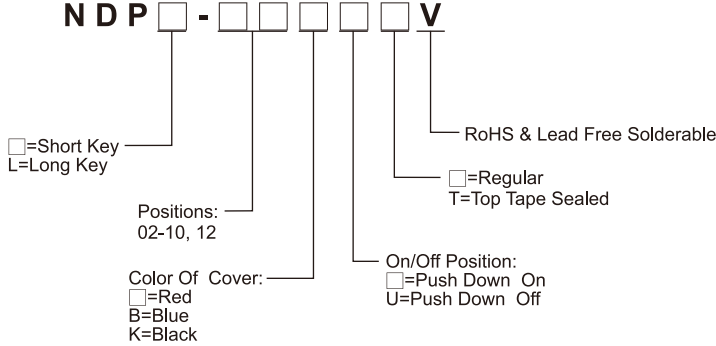
**APPLICATION**

- ※Industrial control
- ※Computers and peripherals
- ※Variety of function controls

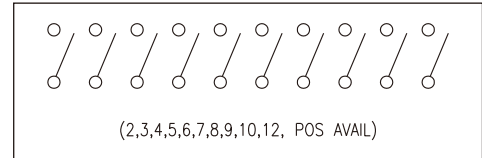
**SPECIFICATION**

|                       |                    |
|-----------------------|--------------------|
| Contact Rating        | 25mA, 24V DC       |
| Contact Resistance    | 50mΩ max.          |
| Insulation Resistance | 100MΩ min. 500V DC |
| Dielectric Strength   | 500V AC/1 minute   |
| Operating Force       | 400gf max.         |
| Travel                | 25°                |
| Operating Life        | 2,000 cycles       |
| Operating Temp.       | -40°C ~ +85°C      |
| Storage Temp.         | -40°C ~ +85°C      |

**HOW TO ORDER**



**CIRCUIT**

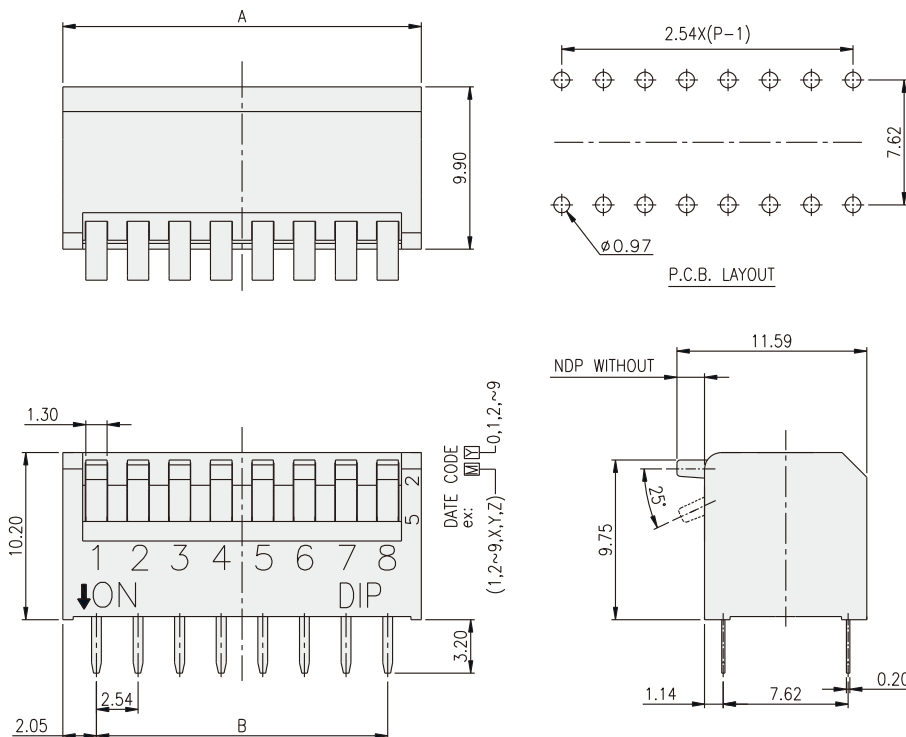


**PACKAGE**

**<Tube>**

|                   |                    |
|-------------------|--------------------|
| NDP(L)-02: 70 pcs | NDP(L)-02T: 65 pcs |
| NDP(L)-03: 50 pcs | NDP(L)-03T: 49 pcs |
| NDP(L)-04: 39 pcs | NDP(L)-04T: 39 pcs |
| NDP(L)-05: 32 pcs | NDP(L)-05T: 32 pcs |
| NDP(L)-06: 27 pcs | NDP(L)-06T: 27 pcs |
| NDP(L)-07: 24 pcs | NDP(L)-07T: 24 pcs |
| NDP(L)-08: 21 pcs | NDP(L)-08T: 21 pcs |
| NDP(L)-09: 19 pcs | NDP(L)-09T: 19 pcs |
| NDP(L)-10: 17 pcs | NDP(L)-10T: 17 pcs |
| NDP(L)-12: 14 pcs | NDP(L)-12T: 14 pcs |

**NDP(L)**



| PART NO.  | NO.OF POS. | DIM.A | DIM.B |
|-----------|------------|-------|-------|
| NDP(L)-02 | 2          | 6.64  | 2.54  |
| NDP(L)-03 | 3          | 9.18  | 5.08  |
| NDP(L)-04 | 4          | 11.72 | 7.62  |
| NDP(L)-05 | 5          | 14.26 | 10.16 |
| NDP(L)-06 | 6          | 16.80 | 12.70 |
| NDP(L)-07 | 7          | 19.34 | 15.24 |
| NDP(L)-08 | 8          | 21.88 | 17.78 |
| NDP(L)-09 | 9          | 24.42 | 20.32 |
| NDP(L)-10 | 10         | 26.96 | 22.86 |
| NDP(L)-12 | 12         | 32.04 | 27.94 |

## X-ON Electronics

Largest Supplier of Electrical and Electronic Components

*Click to view similar products for [DIP Switches/SIP Switches](#) category:*

*Click to view products by [Diptronics](#) manufacturer:*

Other Similar products are found below :

[78M03S](#) [79B10T](#) [8136-475G4T](#) [G7G-1A2-CB-DC12](#) [H7CZL8AC100240](#) [A7SS-M](#) [A8CA-201](#) [DRR60016](#) [DRS4016](#) [1825008-1](#) [1825444-1](#) [25.350.0653.0](#) [SBS 5004 TG](#) [SDA10H1BDA](#) [97R06ST](#) [A2C-2A5](#) [1825444-7](#) [ADE08SA04](#) [ADE12S04](#) [192960010](#) [2-1825058-8](#) [25.330.0653.1](#) [25.352.0353.0](#) [CXDRIVEV2X](#) [IKN0600000](#) [IKN0800000](#) [LA2-002-DC24](#) [DBS1003](#) [438872000](#) [DRD10CRAE04](#) [DSR02T](#) [DSS 208 N](#) [E2FMX2D1M1TGJ03M](#) [NDI10H](#) [219-9MSTP](#) [204-6ES](#) [EPM02FV](#) [701521596](#) [NDS08V](#) [76SB05](#) [79A10](#) [TD06H0SK1](#) [Z7.255.9027.0](#) [1-1825058-3](#) [1825428-4](#) [219-10LPSTF](#) [E3ZG6111D03M](#) [G4D212PUSTV2DC5](#) [195-7MSTN](#) [NDI05H](#)