

FEATURES

- ※Both ON/OFF position applicable for soldering process.
- ※Gold contact for high reliability
- ※Red, blue, and black color options.

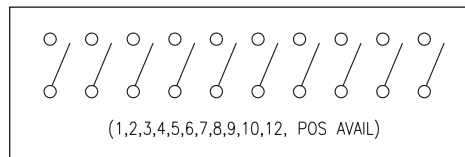
APPLICATION

- ※Industrial control
- ※Computers and peripherals
- ※Variety of function controls

SPECIFICATION

| | |
|-----------------------|--------------------|
| Contact Rating | 25mA, 24V DC |
| Contact Resistance | 50mΩ max. |
| Insulation Resistance | 100MΩ min. 500V DC |
| Dielectric Strength | 500V AC/1 minute |
| Operating Force | 1,000gf max. |
| Travel | 2mm |
| Operating Life | 2,000 cycles |
| Operating Temp. | -40°C ~ +85°C |
| Storage Temp. | -40°C ~ +85°C |

CIRCUIT



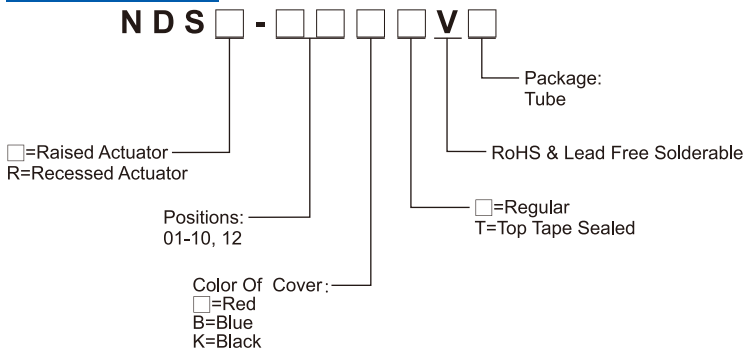
PACKAGE

<Tube>

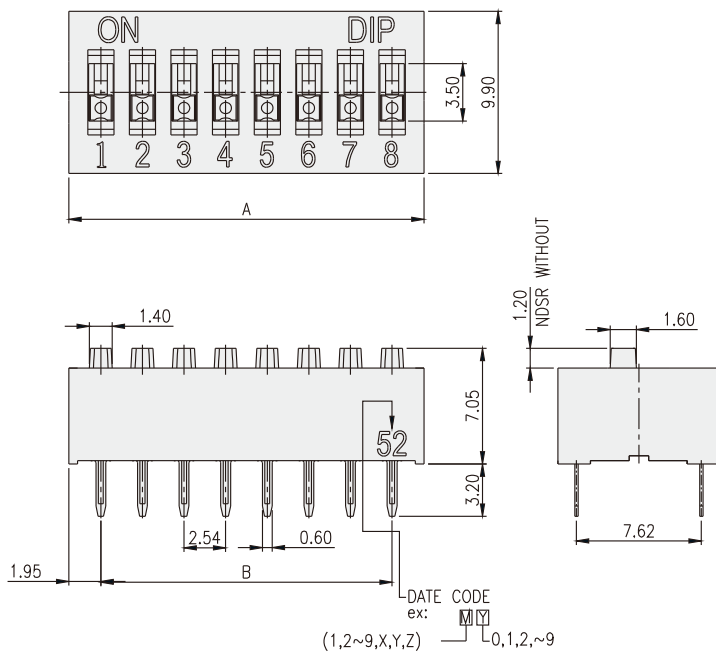
| | |
|--------------------|---------------------|
| NDS(R)-01: 120 pcs | NDS(R)-01T: 110 pcs |
| NDS(R)-02: 72 pcs | NDS(R)-02T: 70 pcs |
| NDS(R)-03: 51 pcs | NDS(R)-03T: 50 pcs |
| NDS(R)-04: 40 pcs | NDS(R)-04T: 39 pcs |
| NDS(R)-05: 32 pcs | NDS(R)-05T: 32 pcs |
| NDS(R)-06: 27 pcs | NDS(R)-06T: 27 pcs |
| NDS(R)-07: 24 pcs | NDS(R)-07T: 24 pcs |
| NDS(R)-08: 21 pcs | NDS(R)-08T: 21 pcs |
| NDS(R)-09: 19 pcs | NDS(R)-09T: 19 pcs |
| NDS(R)-10: 17 pcs | NDS(R)-10T: 17 pcs |
| NDS(R)-12: 14 pcs | NDS(R)-12T: 14 pcs |

DIP SWITCH

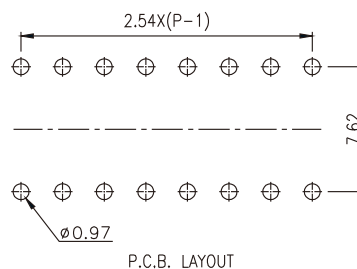
HOW TO ORDER



NDS(R)



| PART NO. | NO.OF POS. | DIM.A | DIM.B |
|-----------|------------|-------|-------|
| NDS(R)-01 | 1 | 3.90 | |
| NDS(R)-02 | 2 | 6.44 | 2.54 |
| NDS(R)-03 | 3 | 8.98 | 5.08 |
| NDS(R)-04 | 4 | 11.52 | 7.62 |
| NDS(R)-05 | 5 | 14.06 | 10.16 |
| NDS(R)-06 | 6 | 16.60 | 12.70 |
| NDS(R)-07 | 7 | 19.14 | 15.24 |
| NDS(R)-08 | 8 | 21.68 | 17.78 |
| NDS(R)-09 | 9 | 24.22 | 20.32 |
| NDS(R)-10 | 10 | 26.76 | 22.86 |
| NDS(R)-12 | 12 | 31.84 | 27.94 |



X-ON Electronics

Largest Supplier of Electrical and Electronic Components

Click to view similar products for [DIP Switches/SIP Switches](#) category:

Click to view products by [Diptronics](#) manufacturer:

Other Similar products are found below :

[78M03S](#) [79B10T](#) [8136-475G4T](#) [G7G-1A2-CB-DC12](#) [A7SS-M](#) [DBP 2110](#) [DBP 2112](#) [DBS1008](#) [DHN02FTVTR](#) [DHN10T](#) [DHS108](#) [DM-08](#)
[DP-10-H](#) [DPL08TN](#) [DRD16CSE04](#) [DRR4010](#) [DRR60016](#) [DRS4016](#) [BD06E](#) [1825008-1](#) [1825444-1](#) [218-8LPSTF](#) [219-6LPSTRF](#)
[25.350.0653.0](#) [LA2-DC12](#) [SBS 5004 TG](#) [SDA10H1BDA](#) [97R06ST](#) [A2C-2A5](#) [1825444-7](#) [ADE08SA04](#) [ADE12S04](#) [2-1825058-8](#) [CCVA](#)
[2.5/ 4-G-5.08 P26THRR32](#) [25.330.0653.1](#) [25.352.0353.0](#) [MDG305ST](#) [IKN0600000](#) [IKN0800000](#) [LA2-002-DC24](#) [DBP2008](#) [DBS1003](#)
[DBS2008](#) [438872000](#) [WT11-D1-06](#) [DM-02](#) [DRD10CRAE04](#) [DRS1604](#) [DSR02T](#) [DSS 208 N](#)