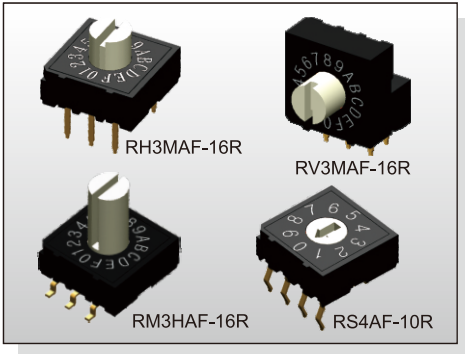


ROTARY CODED SWITCH R(H)(V)(M)(S) SERIES

10x10mm
Rotary Type



FEATURES

- ※Vertical and right angel type
- ※Flush & raised actuator
- ※BCD; Hexadecimal

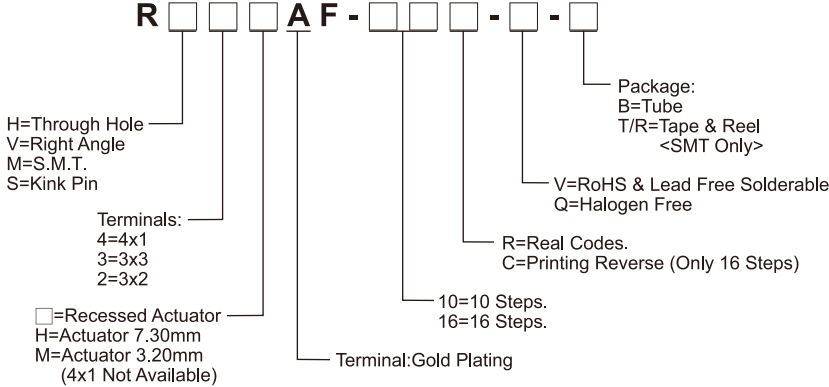
APPLICATION

- ※Building & home automation
- ※White goods
- ※Electronic instrument

SPECIFICATION

Contact Rating	25mA, 24V DC
Contact Resistance	100mΩ max.
Insulation Resistance	100MΩ min. 250V DC
Dielectric Strength	250V AC/1 minute
Operating Force	400gf·cm max.
Operating Life	20,000 Steps
Operating Temp.	-25°C ~ +80°C
Storage Temp.	-40°C ~ +85°C

HOW TO ORDER

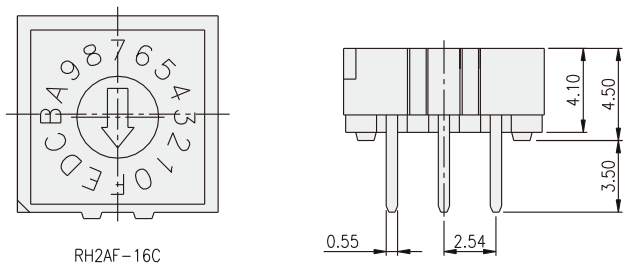
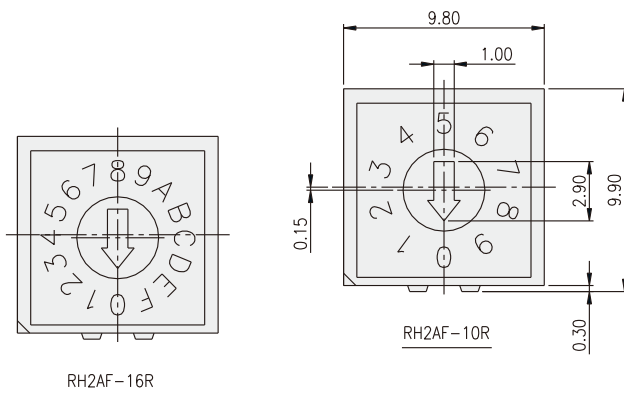


PACKAGE

- <Tube>
48 pcs
- <Tape & Reel>
750 pcs (recessed actuator)
500 pcs (3.2mm actuator)
250 pcs (7.3mm actuator)

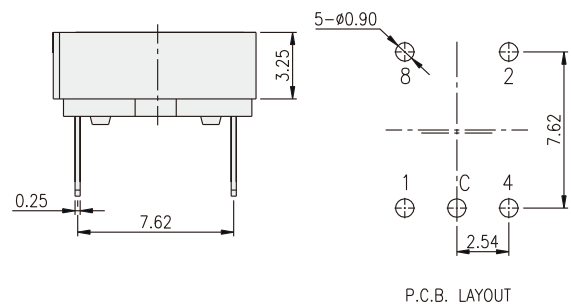
ROTARY CODED SWITCH

RH2

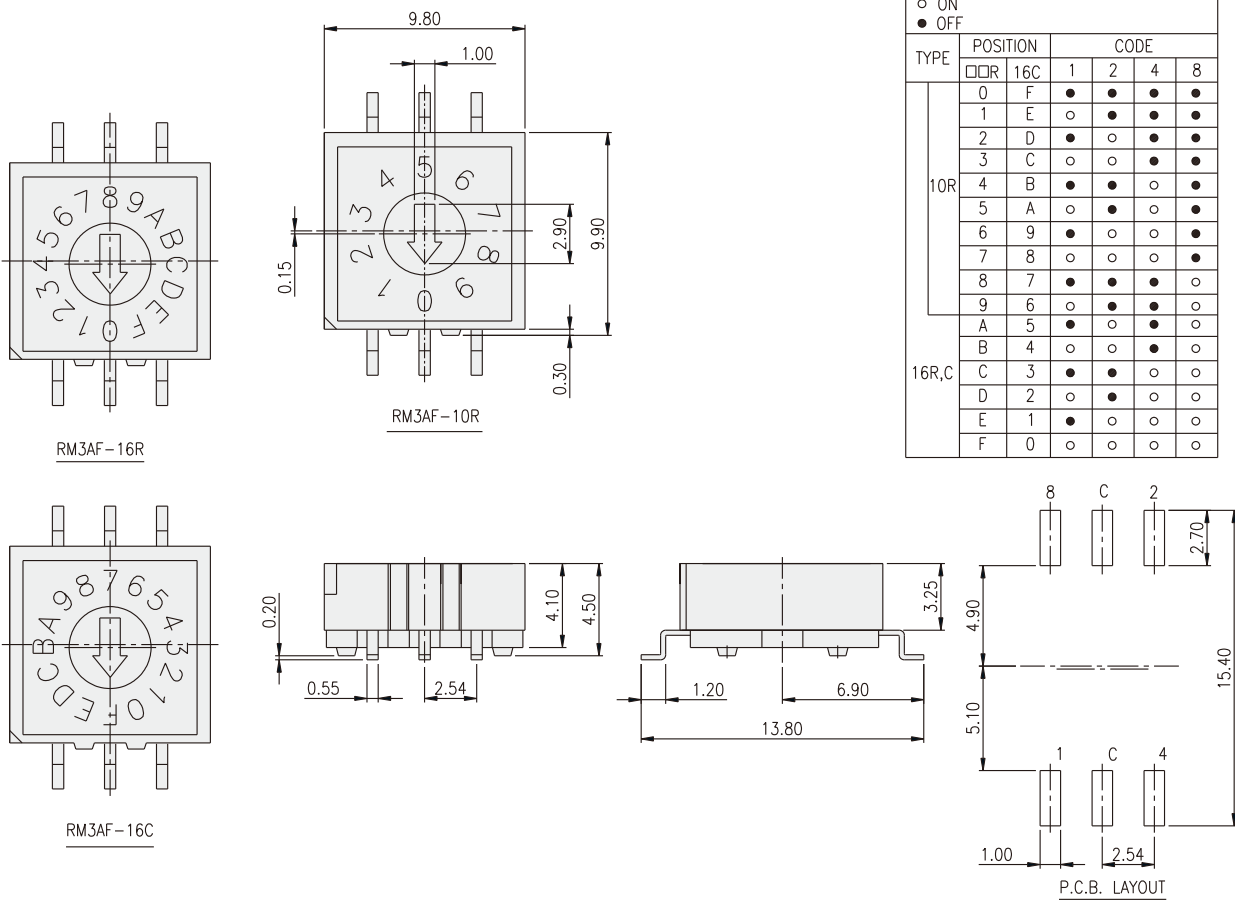


TYPE	POSITION	CODE				
		16C	1	2	4	8
10R	0	F	●	●	●	●
	1	E	○	●	●	●
	2	D	●	○	●	●
	3	C	○	○	●	●
	4	B	○	●	○	●
	5	A	○	●	○	●
	6	9	●	○	○	●
	7	8	○	○	○	●
	8	7	●	●	●	○
	9	6	○	●	●	○
16R,C	A	5	○	○	●	○
	B	4	○	○	○	○
	C	3	●	●	○	○
	D	2	○	●	○	○
	E	1	●	○	○	○
	F	0	○	○	○	○

○ ON
● OFF

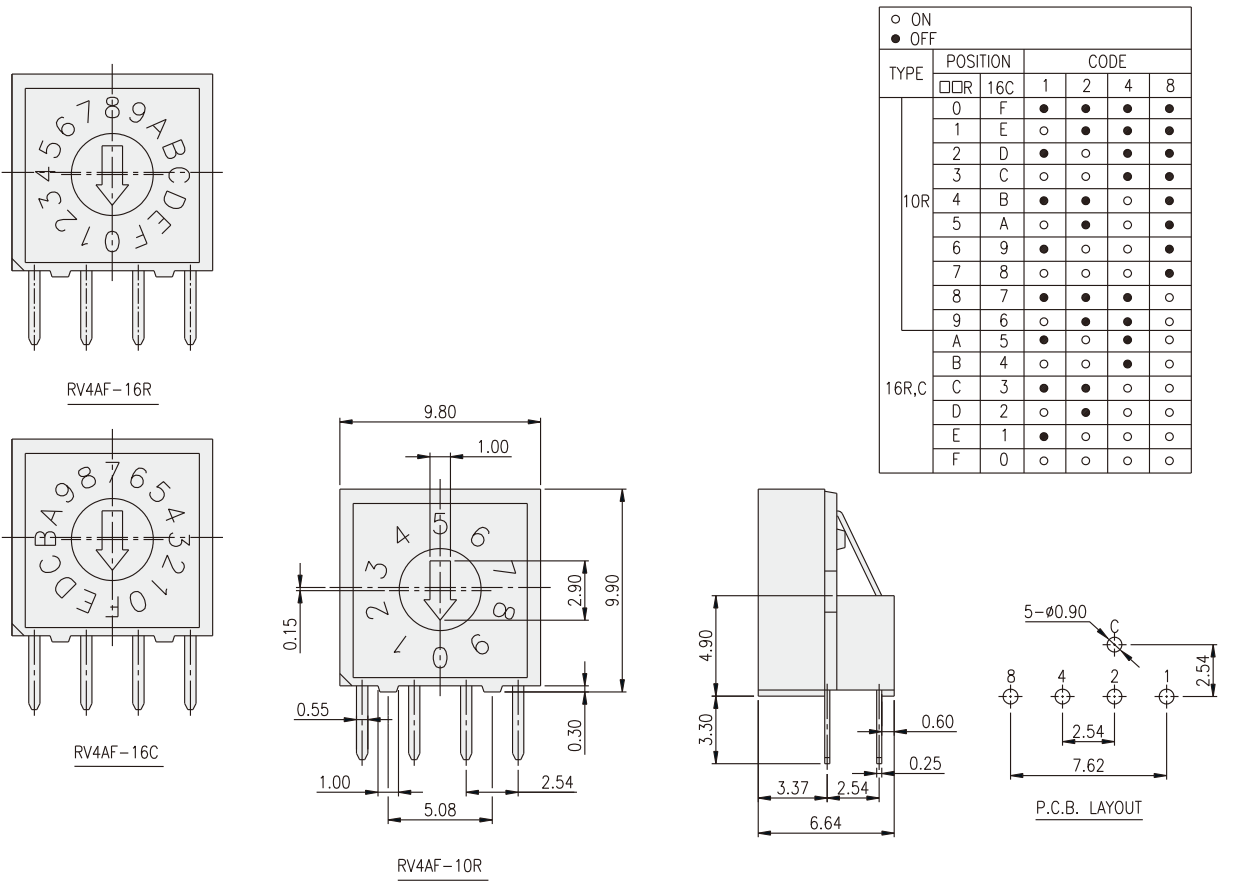


RM3



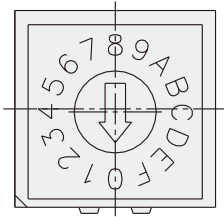
ROTARY CODED SWITCH

RV4

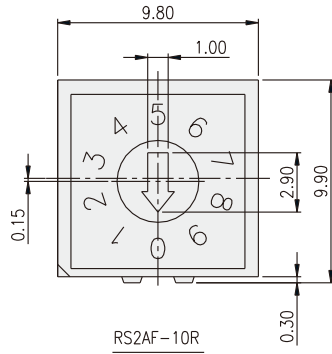


RS2

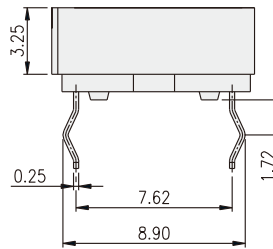
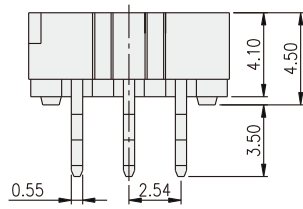
ROTARY CODED SWITCH



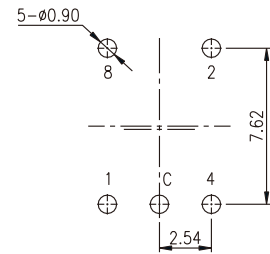
RS2AF-16R



RS2AF-10R



TYPE	POSITION	CODE			
		1	2	4	8
10R	0	●	●	●	●
	1	○	●	●	●
	2	●	○	●	●
	3	○	○	●	●
	4	●	●	○	●
	5	○	●	○	●
	6	●	○	○	●
	7	○	○	○	●
	8	●	●	●	○
	9	○	○	●	○
16R	A	●	○	●	○
	B	○	○	●	○
	C	●	●	○	○
	D	○	○	○	○
	E	●	○	○	○
	F	○	○	○	○



P.C.B. LAYOUT

X-ON Electronics

Largest Supplier of Electrical and Electronic Components

Click to view similar products for [Coded Rotary Switches](#) category:

Click to view products by [Diptronics](#) manufacturer:

Other Similar products are found below :

[PT65SG178](#) [PT65SG23](#) [DRS4010](#) [CW1S-2E11](#) [S-1031A](#) [SBS1004](#) [P36S101TR](#) [P65THR101L254](#) [RM3AF-10R-V-T/R](#) [RH3HAF-10R-V-B](#)
[PT65501RT](#) [P25SMT101TR](#) [P65SMT101](#) [P65THR101V](#) [MSDR-10H1](#) [GSDR-10S](#) [01-1433](#) [07-3153](#) [07-3154](#) [CRD10CM0SBR](#) [DRS4116](#)
[94HCB16RAT](#) [94HCB10T](#) [94HBB16WT](#) [94HBB16RAT](#) [94HBB10WT](#) [94HBB10RAT](#) [94HBB08RAT](#) [94HAC10T](#) [94HAB16WT](#)
[94HAB16T](#) [94HAB10WT](#) [94HAB10RAT](#) [94HAB08WT](#) [94HAB08RAT](#) [ND3FR10P](#) [ND3FR16B-R](#) [DRR3110](#) [94HEB08WRT](#)
[94HCB16WT](#) [94HCB16T](#) [94HCB10RAT](#) [94HCB08T](#) [94HBB16T](#) [94HBB10T](#) [94HBB08T](#) [94HAB16RAT](#) [94HAB10T](#) [94HAB08T](#) [S-2011A](#)