

FEATURES

- ✘ Support automatic insertion
- ✘ Vertical actuation
- ✘ Dust proof structure

APPLICATION

- ✘ Automotive
- ✘ Industrial
- ✘ Instrumentation

SPECIFICATION

Contact Rating	50mA, 12V DC
Contact Resistance	100mΩ max.
Insulation Resistance	100MΩ min. 100V DC
Dielectric Strength	250V AC/1 minute
Operating Force	130±50gf / 160±50gf 300±50gf / 500±100gf
Travel	0.5mm
Operating Life	200,000 cycles for 500gf 500,000 cycles for 300gf 1,000,000 cycles for 160/130gf
Operating Temp.	-40°C ~ +85°C
Storage Temp.	-40°C ~ +85°C

HOW TO ORDER

T 6 H [] - [] [] [] Q []

A=Right angle series
H=Through holes
M=S.M.T Type
1=6x6 ground terminal type
2=S.M.T ground terminal type

Package Style:
R=Tape & Reel (S.M.T. Type Only)
B=Tube

Halogen Free

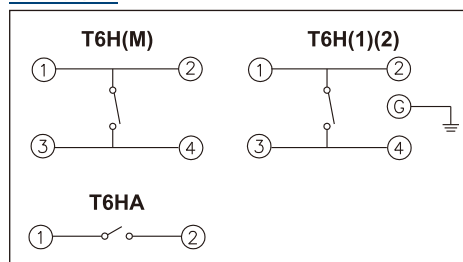
Contact Plating:
G = Plating Ag
A= Plating Au

Operating Force:
2=130gf
3=160gf
5=300gf
6=500gf

Total Height :

SMT/Through hole	Right angle
1=4.70mm	1=6.04mm
2=5.20mm	2=6.54mm
3=6.90mm	3=8.24mm
5=10.0mm	5=11.34mm

CIRCUIT



PACKAGE

<Tube>

T6HH, T6H1: 60 pcs

T6HA: 52 pcs

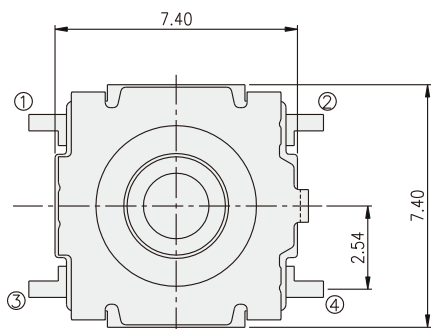
<Tape & Reel>

T6HM-(1)(2): 700 pcs

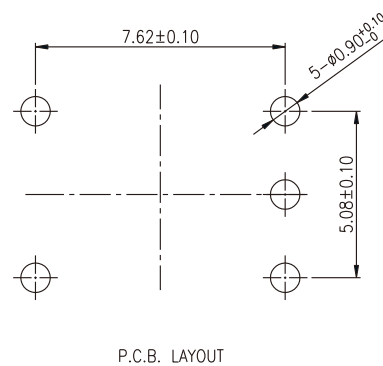
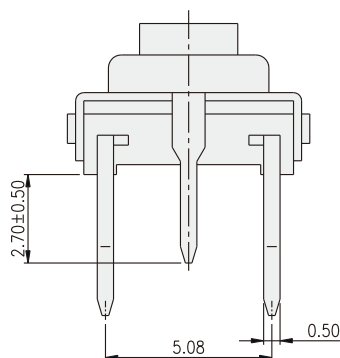
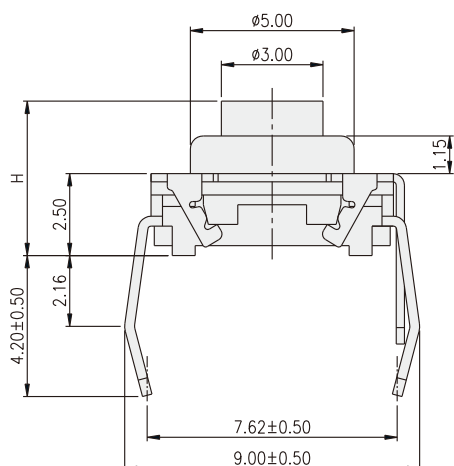
T6HM-3: 500 pcs

T6HM-5: 350 pcs

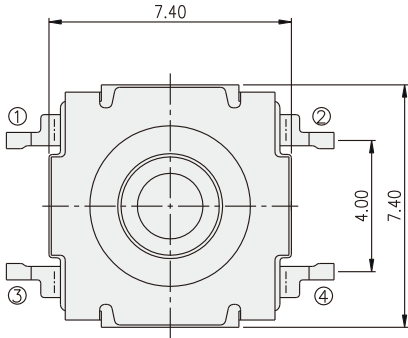
T6H1



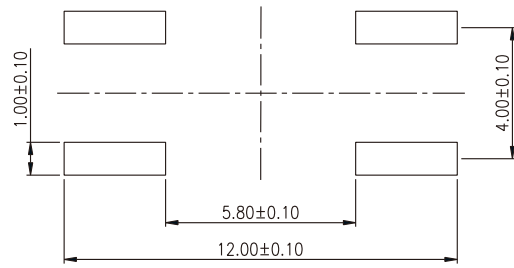
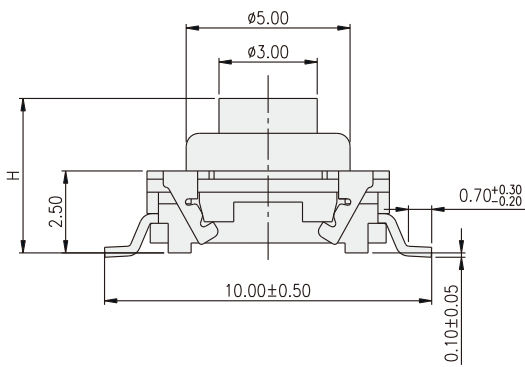
PART NO.	H
T6H1-1	4.70
T6H1-2	5.20
T6H1-3	6.90
T6H1-5	10.00



T6HM



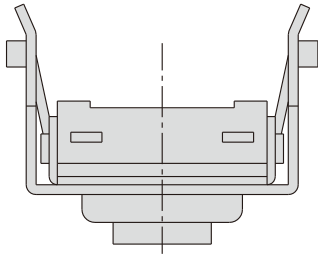
PART NO.	H
T6HM-1	4.70
T6HM-2	5.20
T6HM-3	6.90
T6HM-5	10.00



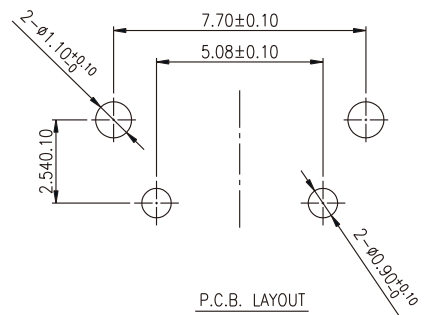
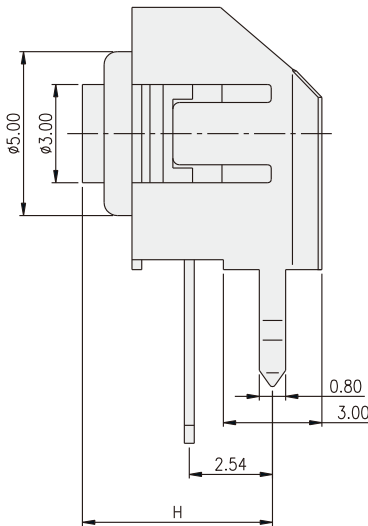
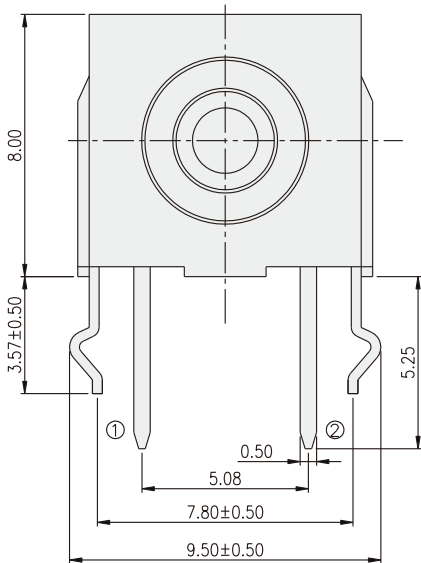
P.C.B. LAYOUT

TACT SWITCH

T6HA



PART NO.	H
T6HA-1	6.04
T6HA-2	6.54
T6HA-3	8.24
T6HA-5	11.34



P.C.B. LAYOUT

X-ON Electronics

Largest Supplier of Electrical and Electronic Components

Click to view similar products for [Tactile Switches](#) category:

Click to view products by [Diptronics](#) manufacturer:

Other Similar products are found below :

[6407-250V-25273P](#) [ADTSA62NV](#) [B3F-3123](#) [1977177-8](#) [1977266-1](#) [ADTSA63NV](#) [ADTSM21NSVTR](#) [ADTSM25RVTR](#) [ADTSM32NVTR](#)
[ADTSMW64RV](#) [1977120-6](#) [FSMRA4JHA04](#) [GS4.70F300QP](#) [KSC241J SP DELTA LFS](#) [3FTL600RAS](#) [3FTL640RAS](#) [Y96K132V0FPLFS](#)
[09158](#) [6407-250V-25343P](#) [ADTSM31NVTR](#) [2-1977120-7](#) [TSJW-5.2-260-TR](#) [TME1-01-Z](#) [Y651050400P](#) [KMT011MNGJLHS](#)
[ADTSG648NV](#) [ADTSM62KSVTR](#) [MJTP1138DTR](#) [ADTSM648NV](#) [95C06E3RAT](#) [3ATH9Q](#) [FSMRA8JHA04](#) [HARS0073](#)
[Y33R411N9FPLFT](#) [Y33R51139FPLFT](#) [Y31C01402FPLFS](#) [PTS645SK50SMTR92](#) [ADTSM32NVB](#) [KMS233GPWTFLFG](#) [Y78B64124FP](#)
[Y33A812C5FP LFT](#) [Y56B2D120FP LFS](#) [PTS645 DVM83-BN125-2 LFS](#) [B3W 1000G](#) [B3F 1002C](#) [B3F 0047H](#) [B3W 1002C](#) [B3F 5001G](#)
[B3W 1100C](#) [1-1571563-4](#)