

Display Elektronik GmbH

DATA SHEET

LCD STANDARD PANEL

DE 133 - SERIES

Product Specification

Version : 0

23.05.2003

GENERAL SPECIFICATION

MODULE NO. :

DE 133 - SERIES

CUSTOMER P/N

VERSION NO.	CHANGE DESCRIPTION	DATE
0	ORIGINAL VERSION	06.12.2001

PREPARED BY: MHO

DATE: 12.12.2001

APPROVED BY: MH

DATE: 14.04.2003

CONTENTS

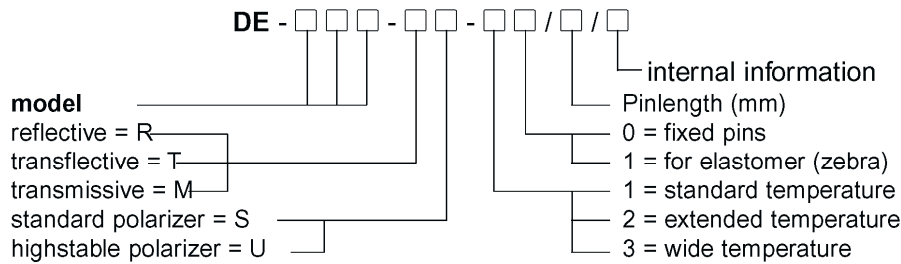
1. GENERAL FEATURES-----	2
2. ORDERING INFORMATION-----	2
3. MODEL TYPES-----	2
4. MECHANICAL SPECIFICATIONS-----	3
5. PIN ASSIGNMENT-----	3
6. ELECTRICAL AND PHYSICAL PROPERTIES-----	4
7. APPLICATION NOTE-----	4
8. SEGMENT DEFINITION-----	4
9. CONNECTING LCDs-----	5
10. SOLDER CONDITIONS FOR LCD WITH FIXED PINS-----	5
11. CLEANING OF LCDs-----	5
12. HANDLING PRECAUTIONS-----	5

1. GENERAL FEATURES

Display Elektronik GmbH is specialized in LCD-products.

- There is a wide range of standard lcd-panels. Most of them are available from stock.
- Most of our standard panels operate within the extended temperature range (-20°C to +70°C).
- For the static types the Vlcd is ready for 3 Volt, like shown in the following table. For most of our multiplexed standard panels we offer a 3Volt and a 5Volt model.
- Most panels are available in reflective and transfective version.
- In general we offer a standard pinlength from stock. Pls ask us in case you want a different pinlength. For the LCD-panels without pins we also offer elastomeric connectors (zebras).
- For outdoor applications we offer suitable LCD-displays with extreme wide temperature range and UV-stability etc...

2. ORDERING INFORMATION



Example:

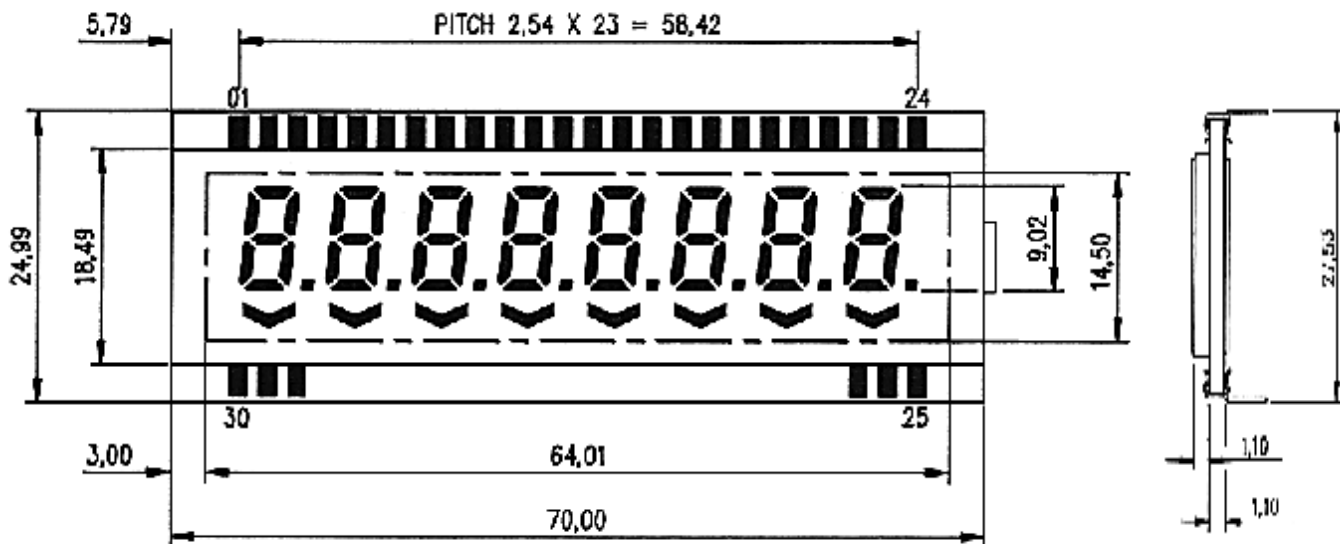
DE-113-RS-10/7,5
 LCD 3½ digits
 Digit height 12.7 mm
 Reflective
 Standard polarizer
 Standard temperature
 Fixed pins
 Pinlength 7.5 mm

3. MODEL TYPES

Our actual model types are:

MODEL NAME	POLARIZER MODE	POLARIZER TYPE	OPERATING TEMPERATURE	PIN LENGTH	VIEWING DIRECTION	OPERATING VOLTAGE	VOLTAGE MODE
DE 133-RS-30/6,35/12° (3 Volt)	Reflective	Standard	-40°C ... +90°C	6,35	12° clock	3 Volt	MUX 1/3
DE 133-RS-30/6,35/12° (5 Volt)	Reflective	Standard	-40°C ... +90°C	6,35	12° clock	5 Volt	MUX 1/3

4. MECHANICAL SPECIFICATIONS



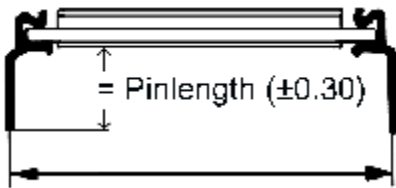
5. PIN ASSIGNMENT

BP3	AN1	1D	DP1	AN2	2D	DP2	AN3	3D	DP3	AN4	4D	DP4	AN5	5D	DP5	AN6	6D	DP6	AN7	7D	DP7	AN8	8D	DP8	NC	NC	BP3	BP3	NC	NC
BP2	1E	1G	1C	2E	2G	2C	3E	3G	3C	4E	4G	4C	5E	5G	5C	6E	6G	6C	7E	7G	7C	8E	8G	8C	NC	BP2	NC	NC	BP2	NC
BP1	1F	1A	1B	2F	2A	2B	3F	3A	3B	4F	4A	4B	5F	5A	5B	6F	6A	6B	7F	7A	7B	8F	8A	8B	BP1	NC	NC	NC	NC	BP1
PIN#	1	2	3	4	5	6	7	8	9	10	11	12	13	14	15	16	17	18	19	20	21	22	23	24	25	26	27	28	29	30

6. ELECTRICAL AND PHYSICAL PROPERTIES

At an ambient temperature of 25°C	Standard temperature			Extended temperature			Wide temperature			Unit
	min.	typ.	max.	min.	typ.	max.	min.	typ.	max.	
Operating voltage		3			3			5		V
Driving frequency	30	32	100	30	32	100	30	32	100	Hz
Current consumption		1,0	2,0		1,0	2,0		1,0	2,0	µA/cm ²
DC-voltage allowance			50			50			50	mV
Response time (t _{on} + t _{off})		440			440				450	ms
Operating temperature	-10		60	-20		70	-40		90	°C
Storage temperature	-20		65	-40		90	-40		90	°C
Lifetime	100 000									h

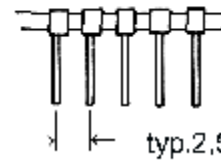
7. APPLICATION NOTE



Distance of pinrow to pinrow
= glass-size + 2.54 mm

DIL-Pins

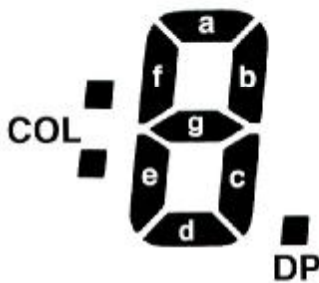
Pinlength = Distance between rear side of LCD to end of pin



Ø hole in PCB typ. 1,0 mm

8. SEGMENT DEFINITION

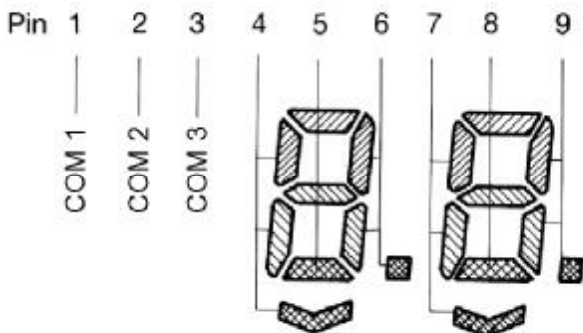
7 SEGMENT



14 SEGMENT



16 SEGMENT



MUX-LCDs
Typical organisation of triplex driving

Digits to be counted from left to right.

9. CONNECTING LCDs

- Fixed pins have a typical pitch of 2,54mm. (Pls refer to mechanical specification).
- LCD for elastomeric connectors (zebras) may have thighter pitches. Please regard tolerances and pitch of elastomer connector.

10. SOLDER CONDITIONS FOR LCD WITH FIXED PINS

	min.	typ.	max.
Solder temperature	t.b.d.	~ 235°C	260°C
Solder duration	t.b.d.	2 seconds	5 seconds
Distance to glass substrate	4mm	6mm	t.b.d.

t.b.d. – to be discussed !

11. CLEANING OF LCDs

- LCDs have a protective foil on top of the front glass. This foil should be removed at the latest possible stage.
- If there is a need of cleaning, you may use freon or alcohol with a soft fabric, as front polarizers are sensitive to physical damage.
- Pls also note this protective foil on the rear side, in case you use transfective model-types.
- Do not use ultrasonic for cleaning of PCB once LCD is soldered.

12. HANDLING PRECAUTIONS

- As polarizers of LCD (front and rear-side) are sensitive, they must be handled with care.
- DC Voltage or drive voltage higher than specified voltage will decrease the lifetime of the liquid crystal display panel.
- If any fluid leaks out of a damaged glass cell, wash off any human part that comes into contact with soap and water. Never swallow the fluid. The toxicity is low, but caution should exercised at all times.
- LCD is made up of glass, organic sealant, organic fluid and polymer based polarizers. The following precautions should be taken when handling:

Keep the temperature within range for use and storage. Excessive temperature and humidity could cause polarization degradation, polarizer peel-off or bubble generation. When storage for a long period over 40°C is required, the relative humidity should be kept below 60%.

X-ON Electronics

Largest Supplier of Electrical and Electronic Components

Click to view similar products for [display elektronik manufacturer](#):

Other Similar products are found below :

[DE LP-509-B](#) [DE LP-509-RGB](#) [DEM 20487 SBH-PW-N](#) [DEM 320240B FGH-PW](#) [DEM 320240C SBH-PW-N](#) [DEM 320240I TMH-PW-N](#)
[DEM 320240J TMH-PW-N \(A-TOUCH\)](#) [DEM 320240L TMH-PW-N \(C-TOUCH\)](#) [DEM 320240N TMH-PW-N \(A-TOUCH\)](#) [DEM 800480B](#)
[TMH-PW-N](#) [DEM 800480B TMX-PW-N](#) [DEM 800480B TMX-PW-N \(A-TOUCH\)](#) [DEM 800480D TMH-PW-N](#) [DEM 800480G TMH-PW-N](#)
[\(C-TOUCH\)](#) [DEM 800480H TMH-PW-N \(C-TOUCH\)](#) [DEM 800480N TMH-PW-N \(C-TOUCH\)](#) [DEM 800600A TMH-PW-N](#) [DEM 800600E](#)
[TMH-PW-N](#) [DEM 800600H TMH-PW-N](#) [DEP 128096A-W](#) [DEP 16201-Y](#) [DE LP-502-RGB](#) [DE LP-507-B](#) [DE LP-509-Y](#) [DE LP-510-RGB](#)
[DEM 122032C SBH-PW-N-12](#) [DEM 128128B FGH-PW \(A-TOUCH\)](#) [DEM 240064B SBH-PW-N](#) [DEM 320240B FGH-PW-N](#) [DEM](#)
[320240N TMH-PW-N \(C-TOUCH\)](#) [DEM 480272F TMH-PW-N \(A-TOUCH\)](#) [DEM 640480D TMX-PW-N](#) [DEM 800480C TMH-PW-N](#)
[DEM 800480C TMX-PW-N](#) [DEM 800480N TMH-PW-N \(A-TOUCH\)](#) [DEM 800600G TMH-PW-N](#) [DEP 096064B-Y](#) [DEP 100032A-W](#)
[DEE 600800A-W](#) [DE 170-RU-30/6,35\)](#) [DE 337-RU-30/7,5/V](#) [DEM 1024600E TMH-PW-N \(C-TOUCH\)](#) [DEM 1024600E TMH-PW-N](#) [DEM](#)
[16208 FGH-PW](#) [DEM 240128A ADX-PW-N](#) [DEM 320240B MMH-PW-N](#) [DEM 320240R TMX-PW-N](#) [DEM 480128D TMH-PW-N](#) [DEM](#)
[480272D1 TTH-PW-N](#) [DEM 640320A MMH-PW-N](#)