

DISPLAY Elektronik GmbH

DATA SHEET

LCD MODULE

DEM 1024600M3 VMH-PW-N (C-TOUCH)

Product Specification

Version: 0

13.05.2020

GENERAL SPECIFICATION

MODULE NO. :

DEM 1024600M3 VMH-PW-N
(C-TOUCH)

CUSTOMER

VERSION NO.	CHANGE DESCRIPTION	DATE
0	ORIGINAL VERSION	13.05.2020

PREPARED BY: YK

DATE: 13.05.2020

APPROVED BY: MHI

DATE: 13.05.2020

CONTENTS

1. GENERAL SPECIFICATIONS.....2

2. EXTERNAL DIMENSIONS4

3. BLOCK DIAGRAM6

4. PIN ASSIGNMENT7

5. OPTICAL CHARACTERISTICS9

6. ABSOLUTE MAXIMUM RATINGS12

7. ELECTRICAL CHARACTERISTICS12

8. RELIABILITY TEST15

9. LCD MODULES HANDLING PRECAUTIONS.....16

10. OTHERS16

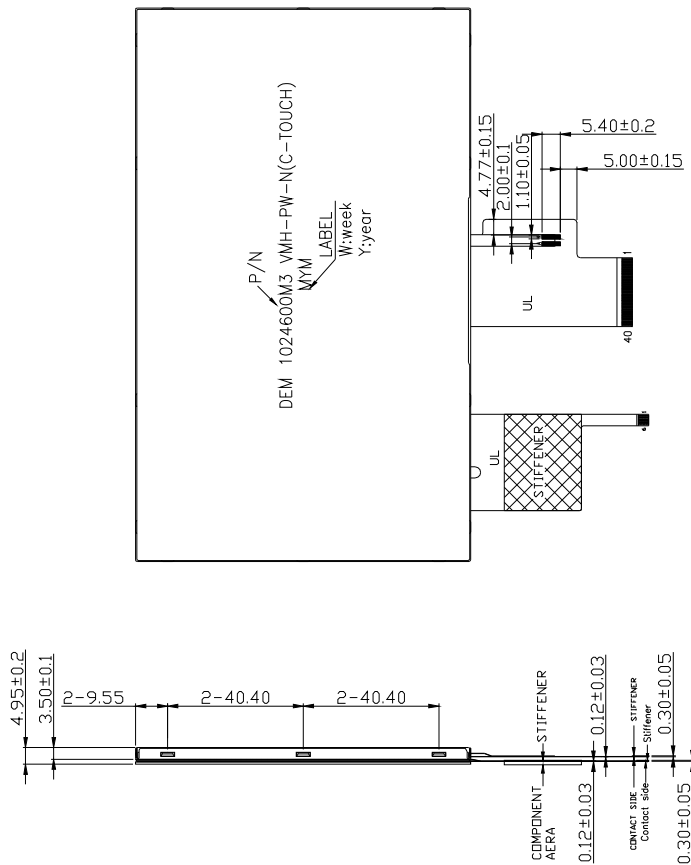
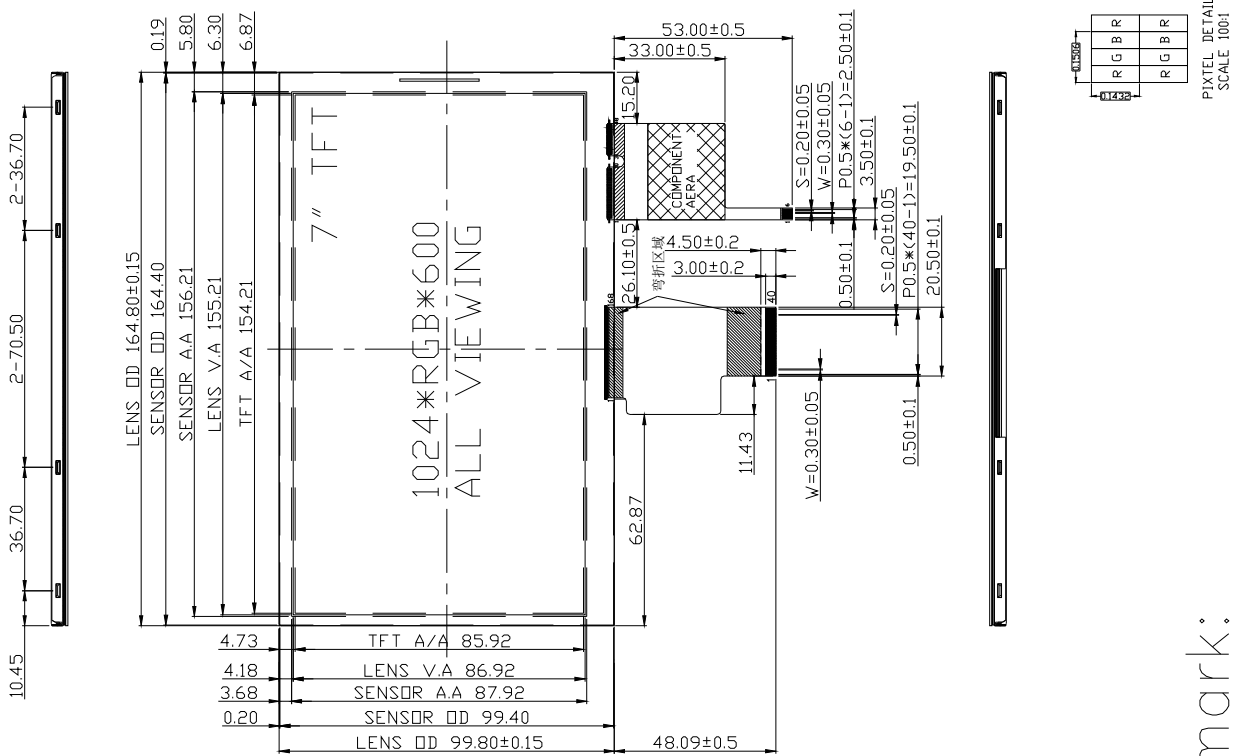
1. GENERAL SPECIFICATIONS

ITEM	STANDARD VALUE	UNIT
LCD TYPE	TFT/IPS/ NORMALLY BLACK/TRANSMISSIVE	
MODULE SIZE	164.80 x 99.80 x 4.95	mm
ACTIVE AREA	154.21 x 85.92	mm
PIXEL PITCH	0.1506 x 0.1432	
NUMBER OF PIXELS	1024 x 3(RGB) x 600	
DIVER IC	EK73215 + EK79001H	
INTERFACE TYPE	RGB	
RECOMMEND VIEWING DIRECTION	ALL	O'CLOCK
GRAY SCALE INVERSION DIRECTION	-	O'CLOCK
COLORS	16.7 MILLION	
BACKLIGHT TYPE	30-DIES WHITE LED	
TOUCH PANEL TYPE	CTP	

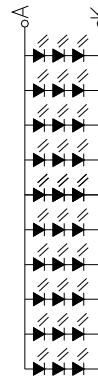
Touch Panel:

Item	Contents
Type	Capacitive Multi-Touch
Module Size	164.80mm x 99.80mm x 1.45mm
View Area	155.21mm x 86.92mm
Driver IC	FT5426
Interface	I2C
Operation Voltage	2.6V~3.6V
ITO Glass Thickness	0.4mm
Operation Humidity	20~90%RH
Storage Humidity	20~90%RH
Resolution	1024 x 600
Input Force	≤10g
Temperature Operation	-20°C to +70°C
Temperature Storage	-30°C to +80°C
Input Method	Finger or exclusive pen
Transparency	≥88%
Surface Hardness	>6H
Hitting Life	>35,000,000 times
Insulation	20M ohm or over(Dc 25V)
ESD(Human Body Model)	2,000 V

2. EXTERNAL DIMENSIONS



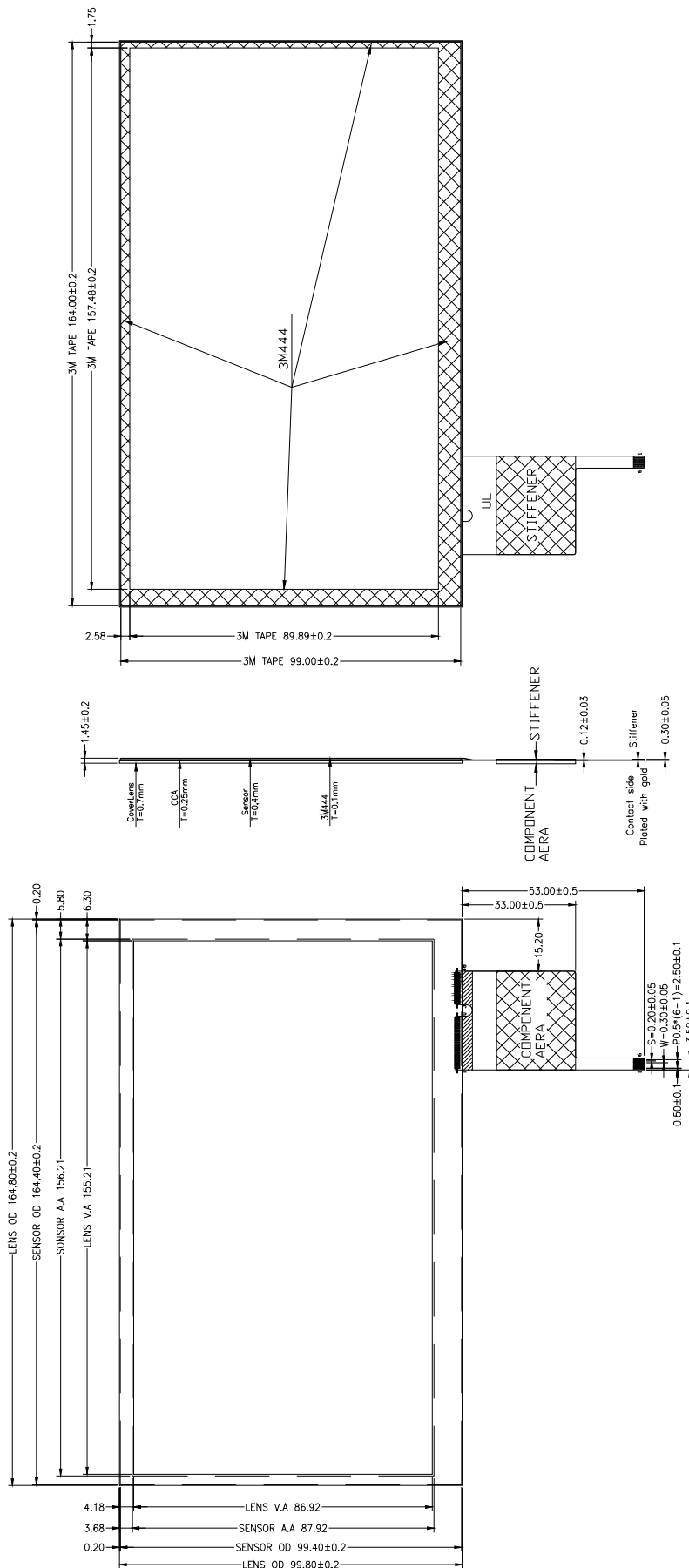
Circuit Diagram(LED SMT 3*10=30 PCS), Color: WHITE
 Vf=8.7-10.5V, If=200mA
 Brightness 500cd/m² (TYP)



Remark:

- 1.Unmarked tolerance is ±0.3
- 2.All materials comply with RoHS

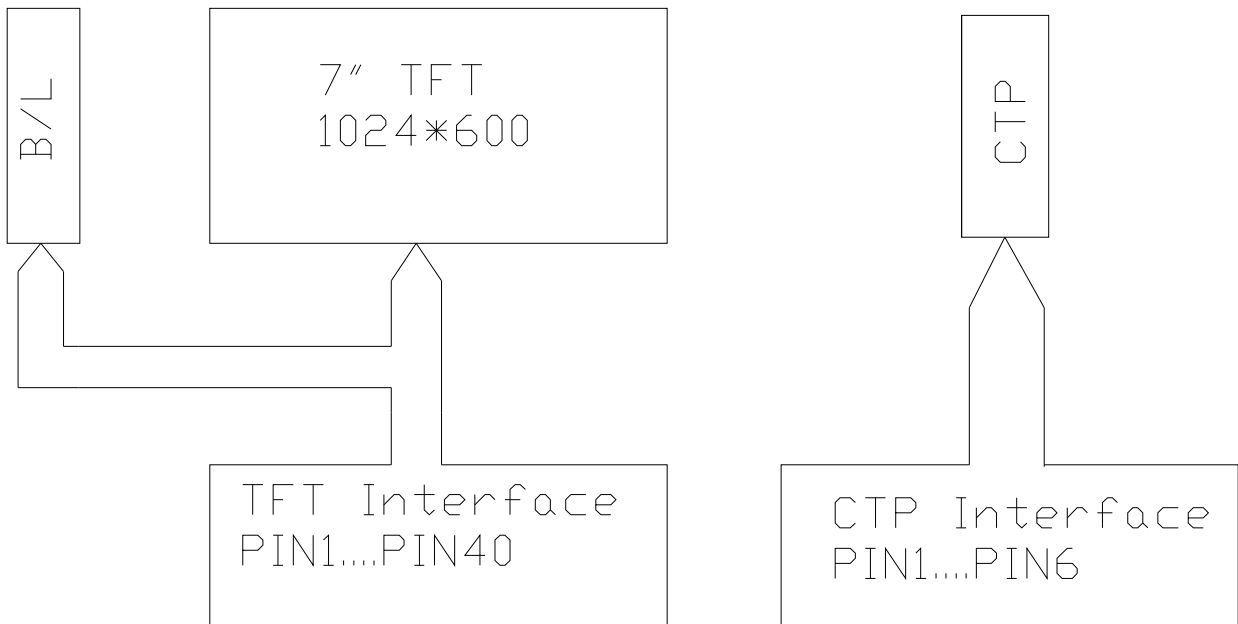
Touch Panel:



- Remarks:
1. Unmarked tolerance is ±0.3, Unmarked radius is R0.5;
 2. All materials comply with Rohs;
 3. :critical dimension.

CTP07012

3. BLOCK DIAGRAM



4. PIN ASSIGNMENT

PIN NO.	SYMBOL	DESCRIPTION
1	K	LED Cathode
2	A	LED Anode
3	GND	Power Ground
4	VDD	Power Supply
5	R0	Red Data
6	R1	Red Data
7	R2	Red Data
8	R3	Red Data
9	R4	Red Data
10	R5	Red Data
11	R6	Red Data
12	R7	Red Data
13	G0	Power Ground
14	G1	Green Data
15	G2	Green Data
16	G3	Green Data
17	G4	Green Data
18	G5	Green Data
19	G6	Green Data
20	G7	Green Data
21	B0	Blue Data
22	B1	Blue Data
23	B2	Blue Data
24	B3	Blue Data
25	B4	Blue Data
26	B5	Blue Data
27	B6	Blue Data
28	B7	Blue Data
29	GND	Power Ground
30	CLK	Clock Signal
31	STBYB	Standby mode, normally pulled high. STBYB = "1", normal operation STBYB = "0", timing controller, source driver will turn off, all output are High-Z

32	HS	Horizontal Sync Signal; Negative Polarity
33	VS	Vertical Sync Signal; Negative Polarity
34	DEN	Data Input Enable
35	AVDD	Power for Analog Circuit
36	GND	Power Ground
37	VGH	Gate ON Voltage
38	VGL	Gate OFF Voltage
39	VCOM	Common Voltage
40	NC	Not Connection

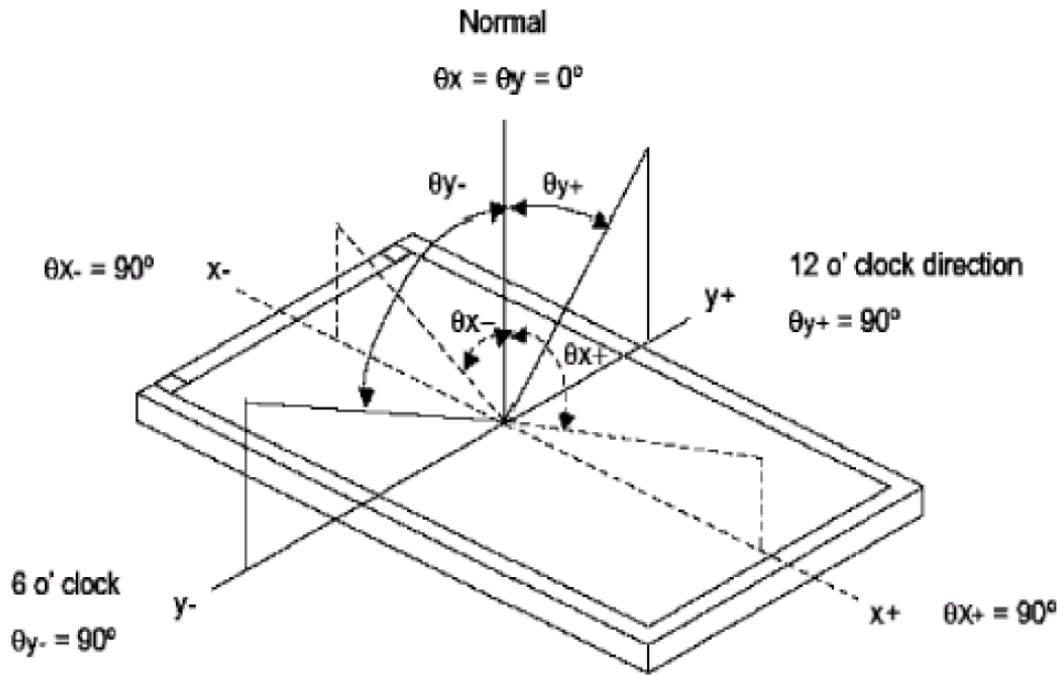
Touch Panel:

Pin No.	Symbol	Description
1	VCC	Positive Power Supply(3.3V)
2	GND	Negative Supply
3	I2C_SCL	I2C Serial Clock Input / Output
4	I2C_SDA	I2C Serial Data Input / Output
5	INT	External Interrupt
6	RST	External Reset, Low is Active

5. OPTICAL CHARACTERISTICS

ITEM	SYMBOL	CONDITIONS	SPECIFICATIONS			UNIT	NOTE
			MIN	TYP.	MAX		
Luminance	L		320	400	-	Cd/m ²	
Contrast Ratio	CR	$\theta = 0^\circ$	640	800			
Response Time	Rising	T _R	25°C	4	8	ms	
	Falling	T _F		12	24		
CIE COLOUR COORDINATE	RED	XR	VIEWING NORMAL ANGLE				
		YR					
	GREEN	XG					
		YG					
	BLUE	XB					
		YB					
	WHITE	XW					
		YW					
VIEWING ANGLE	Hor.	θ_{x+}	CR ≥ 10	80	85	Degree	
		θ_{x-}		80	85		
	Ver.	θ_{y+}		80	85		
		θ_{y-}		80	85		

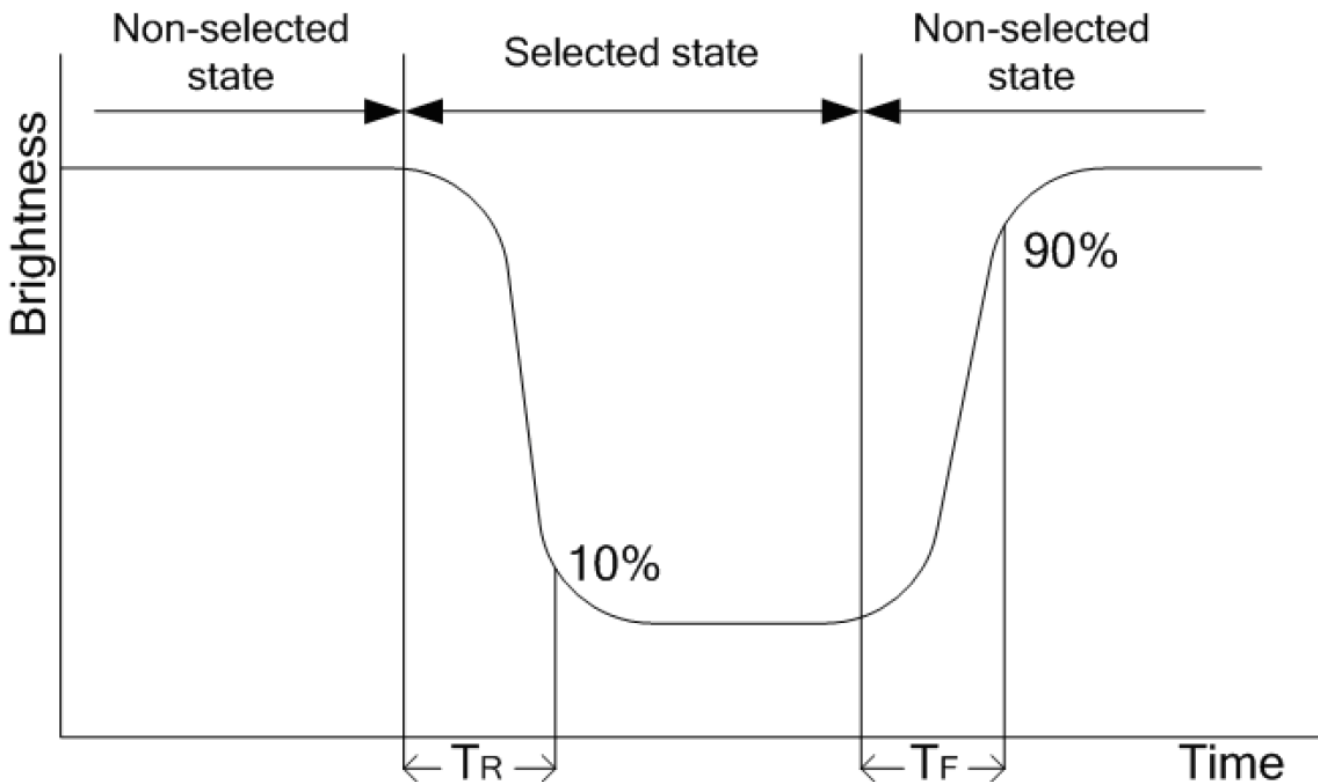
Note 1 : Definition of Viewing Angle θ_x and θ_y :



Note 2: Definition of contrast ratio CR:

$$CR = \frac{\text{Brightness of non-selected dots (white)}}{\text{Brightness of selected dots (black)}}$$

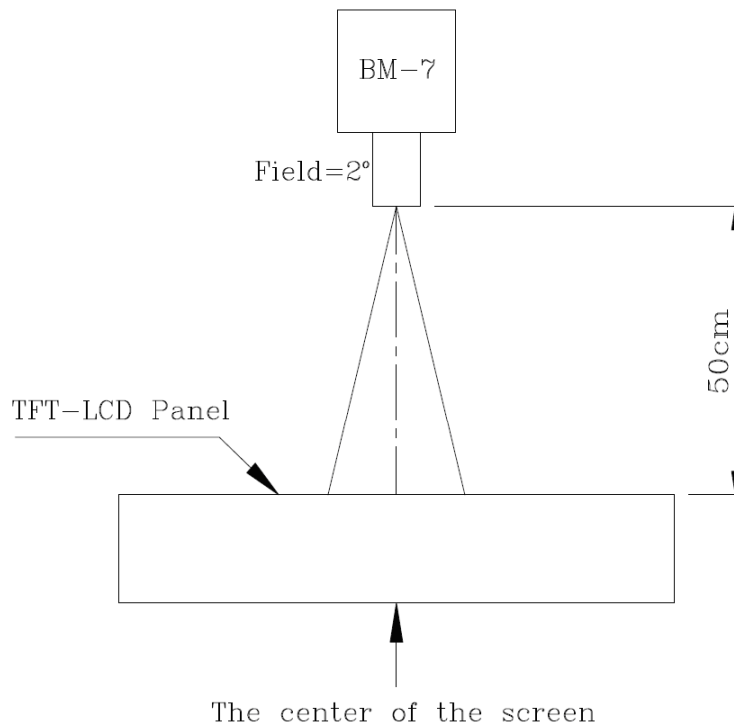
Note 3: Definition of response time (T_R , T_F)



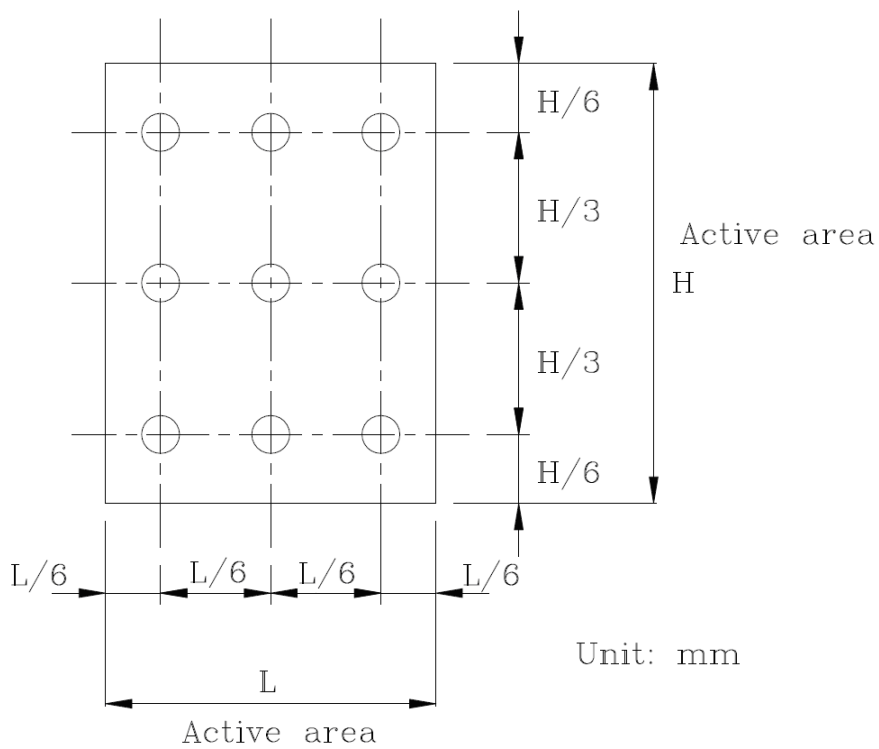
Note 4: Definition of Luminance

①The Brightness Test Equipment Setup

Field=2° (As measuring “black” image, field=2° is the best testing condition)



②The Brightness Test Point Setup



6. ABSOLUTE MAXIMUM RATINGS

PARAMETER	SYMBOL	MIN	MAX	UNIT
Power Supply Voltage	VDD	-0.5	5.0	V
Operating Temperature	Top	-20	+70	°C
Storage Temperature	Tst	-30	+80	°C

7. ELECTRICAL CHARACTERISTICS**7.1 BLACKLIGHT DRIVING CONDITIONS**

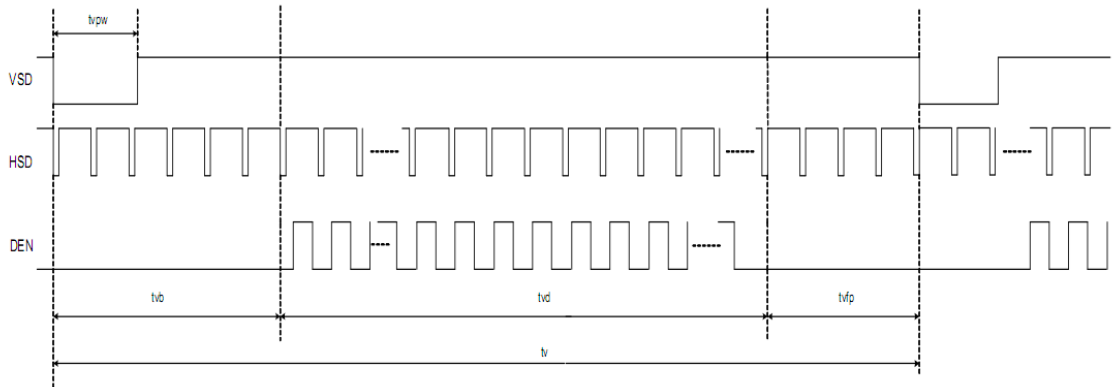
ITEM	SYMBOL	SPECIFICATIONS			UNIT	REMARK
		MIN	TYP.	MAX		
Supply Voltage	Vf	8.7		10.5	V	
Supply Current	IL		200		mA	
Power Consumption	P	1.74		2.1	W	
LED Lifetime			50,000		H _r	

7.2 ELECTRICAL CHARACTERISTICS

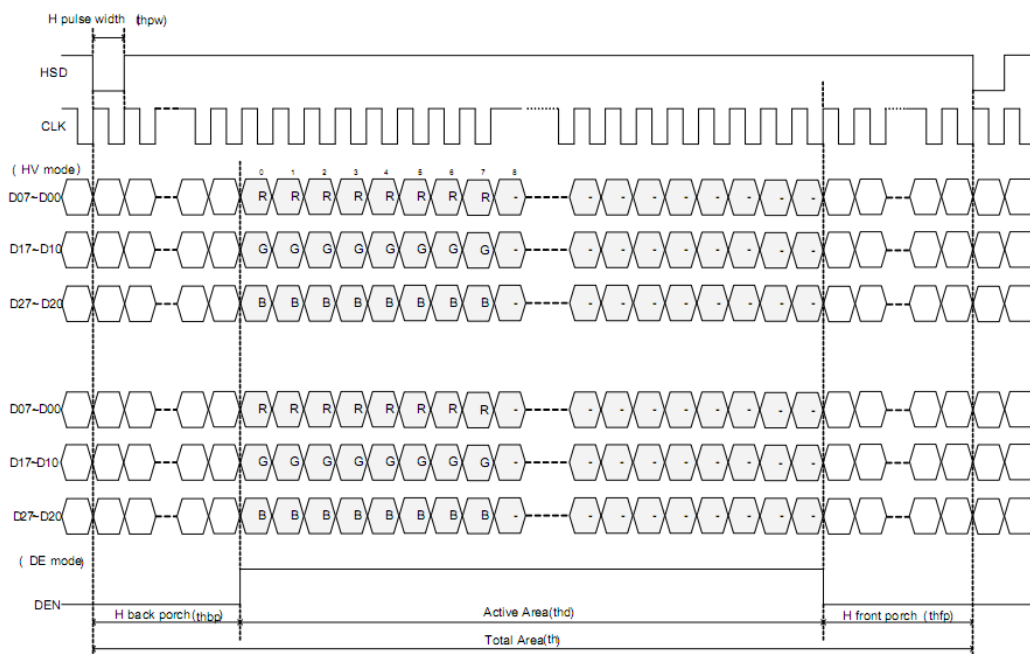
ITEM	SYMBOL	MIN	TYP.	MAX	UNIT
Power Supply	VDD	3.0	3.3	3.6	V
	AVDD	8.9	9.0	9.1	V
	VGH	17	18	19	V
	VGL	-6.5	-6.0	-5.5	V
	VCOM	3.0	3.15	3.3	V
Input Voltage	Vil	GND	-	0.3VDD	V
	Vih	0.7VDD	-	VDD	V

7.3 TIMING CHARACTERISTICS

7.3.1 Vertical input timing



7.3.2 Horizontal input timing



DE mode

DE mode					
Parameter	Symbol	Value			Unit
		Min.	Typ.	Max.	
DCLK frequency @Frame rate=60hz	fclk	40.8	51.2	67.2	Mhz
Horizontal display area	thd	1024			DCLK
HSYNC period time	th	1114	1344	1400	DCLK
HSYNC blanking	thb+thfp	90	320	376	DCLK
Vertical display area	tvd	600			H
VSYNC period time	tv	610	635	800	H
VSYNC blanking	tvb+tvfp	10	35	200	H

HV mode(1)

HV mode					
Horizontal input timing					
Parameter	Symbol	Value			Unit
Horizontal display area	thd	1024			DCLK
DCLK frequency@ Frame rate=60hz	fclk	Min.	Typ.	Max.	Mhz
		44.9	51.2	63	
1 Horizontal Line	th	1200	1344	1400	DCLK
HSYNC pulse width	thpw	Min.	1		
		Typ.	-		
		Max.	140		
HSYNC back porch	thbp	160	160	160	
HSYNC front porch	thfp	16	160	216	

HV mode(2)

Vertical input timing					
Parameter	Symbol	Value			Unit
		Min.	Typ.	Max.	
Vertical display area	tvd	600			H
VSYNC period time	tv	624	635	750	H
VSYNC pulse width	tpw	1	-	20	H
VSYNC back porch	tvb	23	23	23	H
VSYNC front porch	tvfp	1	12	127	H

8. RELIABILITY TEST

NO.	TEST ITEM	CONDITIONS	
1	HIGH TEMPERATURE STORAGE	TA=80°C	96H
2	LOW TEMPERATURE STORAGE	TA=-30°C	96H
3	HIGH TEMPERATURE OPERATION	TA=70°C	96H
4	LOW TEMPERATURE OPERATION	TA=-20°C	96H
5	HIGH TEMPERATURE AND HIGH HUMIDITY OPERATION	+60°C, 90%RH	96H
6	THERMAL SHOCK	-30°C → +80°C,	0.5H: 5CYCLES

9. LCD MODULES HANDLING PRECAUTIONS

- n** The display panel is made of glass. Do not subject it to a mechanical shock by dropping it from a high place, etc.
- n** If the display panel is damaged and the liquid crystal substance inside it leaks out, do not get any in your mouth. If the substance come into contact with your skin or clothes promptly wash it off using soap and water.
- n** Do not apply excessive force to the display surface or the adjoining areas since this may cause the color tone to vary.
- n** The polarizer covering the display surface of the LCD module is soft and easily scratched. Handle this polarize carefully.
- n** To prevent destruction of the elements by static electricity, be careful to maintain an optimum work environment.
 - Be sure to ground the body when handling the LCD module.
 - Tools required for assembly, such as soldering irons, must be properly grounded.
 - To reduce the amount of static electricity generated, do not conduct assembly and other work under dry conditions.
 - The LCD module is coated with a film to protect the display surface. Exercise care when peeling off this protective film since static electricity may be generated.
- n** Storage precautions
When storing the LCD modules, avoid exposure to direct sunlight or to the light of fluorescent lamps. Keep the modules in bags designed to prevent static electricity charging under low temperature / normal humidity conditions (avoid high temperature / high humidity and low temperatures below 0°C).Whenever possible, the LCD modules should be stored in the same conditions in which they were shipped from our company.

10. OTHERS

- n** Liquid crystals solidify at low temperature (below the storage temperature range) leading to defective orientation of liquid crystal or the generation of air bubbles (black or white). Air bubbles may also be generated if the module is subjected to a strong shock at a low temperature.
- n** If the LCD modules have been operating for a long time showing the same display patterns may remain on the screen as ghost images and a slight contrast irregularity may also appear. Abnormal operating status can be resumed to be normal condition by suspending use for some time. It should be noted that this phenomena does not adversely affect performance reliability.
- n** To minimize the performance degradation of the LCD modules resulting from caused by static electricity, etc. exercise care to avoid holding the following sections when handling the modules:
 - Exposed area of the printed circuit board
 - Terminal electrode sections.

X-ON Electronics

Largest Supplier of Electrical and Electronic Components

Click to view similar products for [TFT Displays & Accessories](#) category:

Click to view products by [Display Elektronik](#) manufacturer:

Other Similar products are found below :

[OAI-80038AA-2013-A](#) [HDA430T-3G1H](#) [NB-ATT01](#) [TCG104SVLQAPNN-AN20](#) [OAI-80038AA-2008-A](#) [315-U004B15300](#) [EIC-LCD-1080P](#) [NL10276BC20-18C](#) [DEM 128160D](#) [TMH-PW-N](#) [RFE43BU-AIW-DNG](#) [EA WF050-40S](#) [EA WF050-40ST](#) [RFC350X-AWW-DNG](#) [RFS390E-AWW-DNN](#) [DEM 480272G2](#) [VMX-PW-N \(A-TOUCH\)](#) [PH800480T013-ICA](#) [DEM 1024600N](#) [VMX-PW-N \(C-TOUCH\)](#) [DEM 1024600P](#) [VMH-PW-N \(C-TOUCH\)](#) [SM-RVT50HQHNWCA0](#) [DEM 240280A](#) [VMH-PW-N](#) [DEM 170320A](#) [VMH-PW-N](#) [PH240320T068-LAB08](#) [DEM 800480T1](#) [TMH-PW-N](#) [PH128128T041-LAA07](#) [PH480272T005-IAC02](#) [DEM 1024600P](#) [VMH-PW-N \(A-TOUCH\)](#) [DEM 800480T1](#) [TMH-PW-N \(C-TOUCH\)](#) [DEM 800480Q4](#) [VMX-PW-N](#) [DEM 800480T1](#) [TMH-PW-N \(A-TOUCH\)](#) [PH320240T-023-I02Q](#) [PH128800T004-ZZA01](#) [RFE430W-1YW-DBS](#) [DEM 1024600N](#) [VMX-PW-N \(A-TOUCH\)](#) [PH240320T074-ZAA01](#) [DEM 480480D](#) [VMX-PW-N \(C-TOUCH\)](#) [SM-RVT50HQSNWN00](#) [SM-RVT50HQHNWC00](#) [PH800480T033-ICB01](#) [RFE430W-AWW-DNN](#) [DEM 096096A](#) [VMH-PW-N](#) [RL0F00050000FGAAASA01](#) [SM-RVT50HQSNWCA0](#) [SM-RVT50HQSNWC00-B](#) [PH320240T028-ZEA01](#) [RFE430W-1YW-DBN](#) [SM-RVT50HQHNWC00-B](#) [DEM 120240A](#) [VMH-PW-N](#) [DEM 268800A](#) [VMH-PW-N](#) [RFF700B4-AIW-DNS](#) [DEM 800480O1](#) [VMH-PW-N](#)