

**Display Elektronik GmbH**

**DATA  
SHEET**

***TFT MODULE***

**DEM 128160D TMH-PW-N**

**1,8“ TFT**

**Product Specification**

**Ver.: 0**

**17.11.2017**

## **Revision History**

<b>VERSION</b>	<b>DATE</b>	<b>REVISED PAGE NO.</b>	<b>Note</b>
0	17.11.2017		First Issue

# Contents

1. Summary
2. General Specification
3. Interface
4. Counter Drawing
5. Absolute Maximum Ratings
6. Electrical Characteristics
7. Data Color Coding
8. Optical Characteristics
9. Reliability

## **1. Summary**

This 1.8" TFT is a TN transmissive type color active matrix TFT liquid crystal display that use amorphous silicon TFT as switching devices. This module is a composed of a TFT LCD-module. It is usually designed for industrial application and this module follows RoHS.

## **2. General Specifications**

- Size: 1.77 Inch
- Dot Matrix: 128 x RGB x 160 dots
- Module Dimension: 34.00 x 45.83 x 2.65 mm
- Active Area: 28.03 x 35.04 mm
- Dot Pitch: 0.073 x 0.219 mm
- LCD Type: TFT, TN - Normally White, Transmissive
- View Direction: 6 o'clock
- Gray Scale Inversion Direction: 12 o'clock
- Aspect Ratio: Portrait
- IC: ST7735S (Sitronix)
- Backlight Type: LED, Normally White
- Brightness: typ. 500cd/m<sup>2</sup>
- With / Without TP: Without TP
- Surface: Anti-Glare

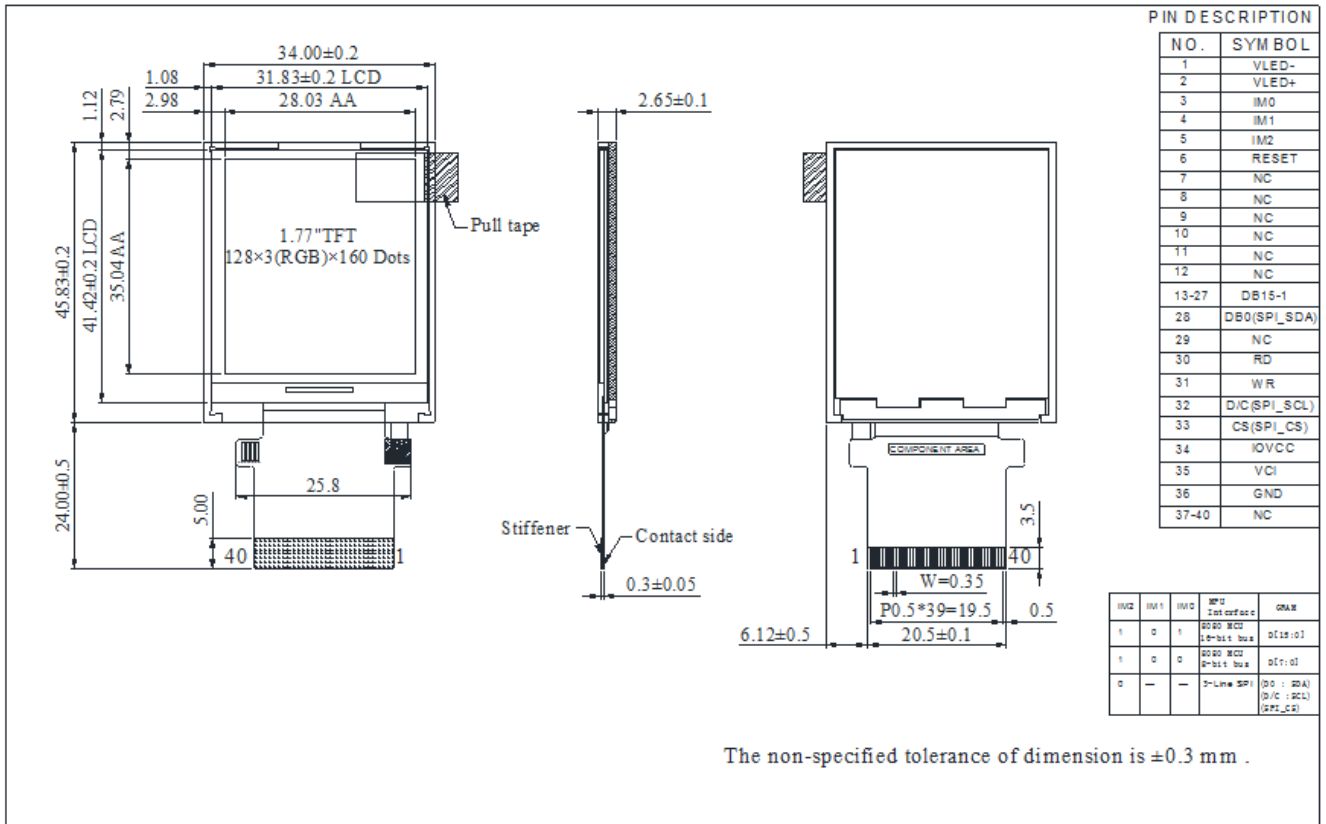
\*Color tone slight changed by temperature and driving voltage.

### 3. Interface

#### 3.1. LCM PIN Definition

Pin	Symbol	I/O	Function	Remark															
1	VLED-	P	Backlight Cathode																
2	VLED+	P	Backlight Anode																
3	IM0	I	- MCU Parallel Interface Type Selection - If Not Used, Please Fix this Pin at VDDI or DGND Level.																
4	IM1																		
			<table border="1"> <thead> <tr> <th>IM1</th> <th>IM0</th> <th>Parallel Interface</th> </tr> </thead> <tbody> <tr> <td>0</td> <td>0</td> <td>MCU 8-bit Parallel</td> </tr> <tr> <td>0</td> <td>1</td> <td>MCU 16-bit Parallel</td> </tr> <tr> <td>1</td> <td>0</td> <td>MCU 9-bit Parallel</td> </tr> <tr> <td>1</td> <td>1</td> <td>MCU 18-bit Parallel</td> </tr> </tbody> </table>	IM1	IM0	Parallel Interface	0	0	MCU 8-bit Parallel	0	1	MCU 16-bit Parallel	1	0	MCU 9-bit Parallel	1	1	MCU 18-bit Parallel	
IM1	IM0	Parallel Interface																	
0	0	MCU 8-bit Parallel																	
0	1	MCU 16-bit Parallel																	
1	0	MCU 9-bit Parallel																	
1	1	MCU 18-bit Parallel																	
5	IM2	I	MCU Parallel Interface Bus and Serial Interface select IM2='1', Parallel Interface IM2='0', Serial Interface																
6	RESET	P	Reset Signal																
7-12	NC	-	No Connect																
13-28	DB15- DB0(SPI_SDA )	I/O	DB15:0] are used as MCU parallel interface data bus. - DB is the serial input/output signal in serial interface mode. - In Serial Interface, DB15:1] are not used and should be fixed at VDDI or DGND level.																
29	NC	-	No Connect																
30	RD	I	Read Enable in 8080 MCU Parallel Interface. - If not used, please fix this pin at VDDI or DGND level.																
31	WR	I	Serial Clock - Write Enable in MCU Parallel Interface. - If not used, please fix this pin at VDDI or DGND level.																
32	D/C(SPI_SCL)	I	- Display data/command Selection Pin in MCU Interface. - D/CX='1': Display Data or Parameter. - D/CX='0': Command Data. - In Serial Interface, this is used as SCL. - If not used, please fix this pin at VDDI or DGND level.																
33	CS(SPI_CS)	I	Chip Enable																
34	IOVCC	P	Interface Operation Voltage																
35	VCI	P	Analog Supply Voltage																
36	GND	P	Ground																
37-40	NC	-	No Connect																

### 4. Contour Drawing



PIN DESCRIPTION

NO.	SYMBOL
1	VLED-
2	VLED+
3	IM0
4	IM1
5	IM2
6	RESET
7	NC
8	NC
9	NC
10	NC
11	NC
12	NC
13-27	DB15-1
28	DB0(SPI_SDA)
29	NC
30	RD
31	WR
32	D/C(SPI_SCL)
33	CS(SPI_CS)
34	IOVCC
35	VCI
36	GND
37-40	NC

IM2	IM1	IM0	SPI Interface	GRAM
1	0	1	8000 BCD 2-bit bus	D[15:0]
1	0	0	8000 BCD 2-bit bus	D[7:0]
0	-	-	3-Line SPI	(D0 : SD0) (D/C : DCL) (SPI_CS)

The non-specified tolerance of dimension is  $\pm 0.3$  mm .

## **5. Absolute Maximum Ratings**

<b>Item</b>	<b>Symbol</b>	<b>Min</b>	<b>Typ</b>	<b>Max</b>	<b>Unit</b>
Operating Temperature	T <sub>OP</sub>	-20	—	+70	°C
Storage Temperature	T <sub>ST</sub>	-30	—	+80	°C

Note: Device is subject to be damaged permanently if stresses beyond those absolute maximum ratings listed above

1. Temp.  $\leq 60^{\circ}\text{C}$ , 90% RH MAX. Temp.  $> 60^{\circ}\text{C}$ ,  
Absolute Humidity shall be less than 90% RH at  $60^{\circ}\text{C}$

## 6. Electrical Characteristics

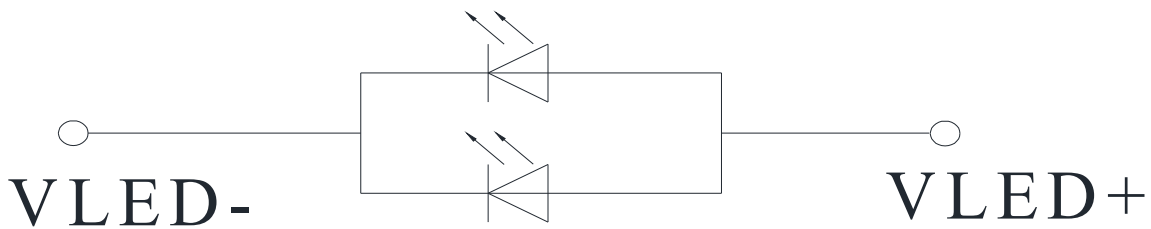
### 6.1. Operating conditions:

Item	Symbol	Condition	Min	Typ	Max	Unit
Supply Voltage for Analog	VCI	—	2.5	2.75	4.8	V
Interface Operation Voltage	IOVCC	—	1.65	1.8	3.7	V
Supply LCM Current	ICI(mA)	—	-	0.9	2	mA

### 6.2. LED driving conditions

Parameter	Symbol	Min.	Typ.	Max.	Unit	Remark
LED Current		-	40	-	mA	
Power Consumption			128	-	mW	
LED Voltage	VBL+	2.9	3.2	3.4	V	Note 1
LED Lifetime		-	50,000	-	Hr	Note 2,3,4

Note 1 : There are 1 Groups LED



Note 2 : Ta = 25°C

Note 3 : Brightness to be decreased to 50% of the initial value

Note 4 : The single LED lamp case



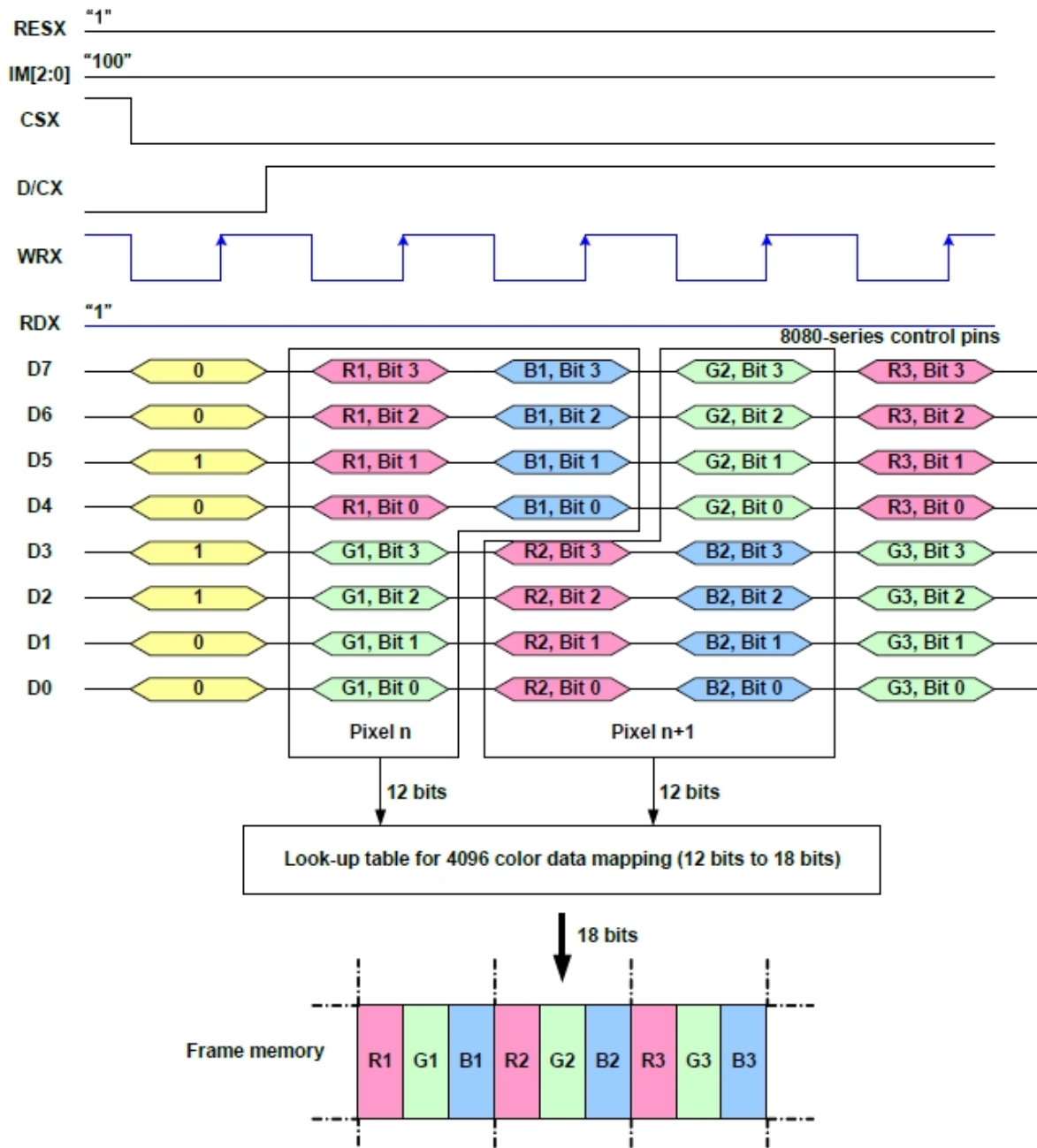
## 7. Data Color Coding

### 7.1. 8-Bit Parallel Interface (IM2, IM1, IM0= "100")

Different display data formats are available for three Colors depth supported by listed below.

- 4k Colors, RGB 4,4,4-Bit Input.
- 65k Colors, RGB 5,6,5-Bit Input.
- 262k Colors, RGB 6,6,6-Bit Input.

### 8-Bit Data Bus for 12-bit/Pixel (RGB 4-4-4-bit Input), 4K-Colors, 3AH= "03h"



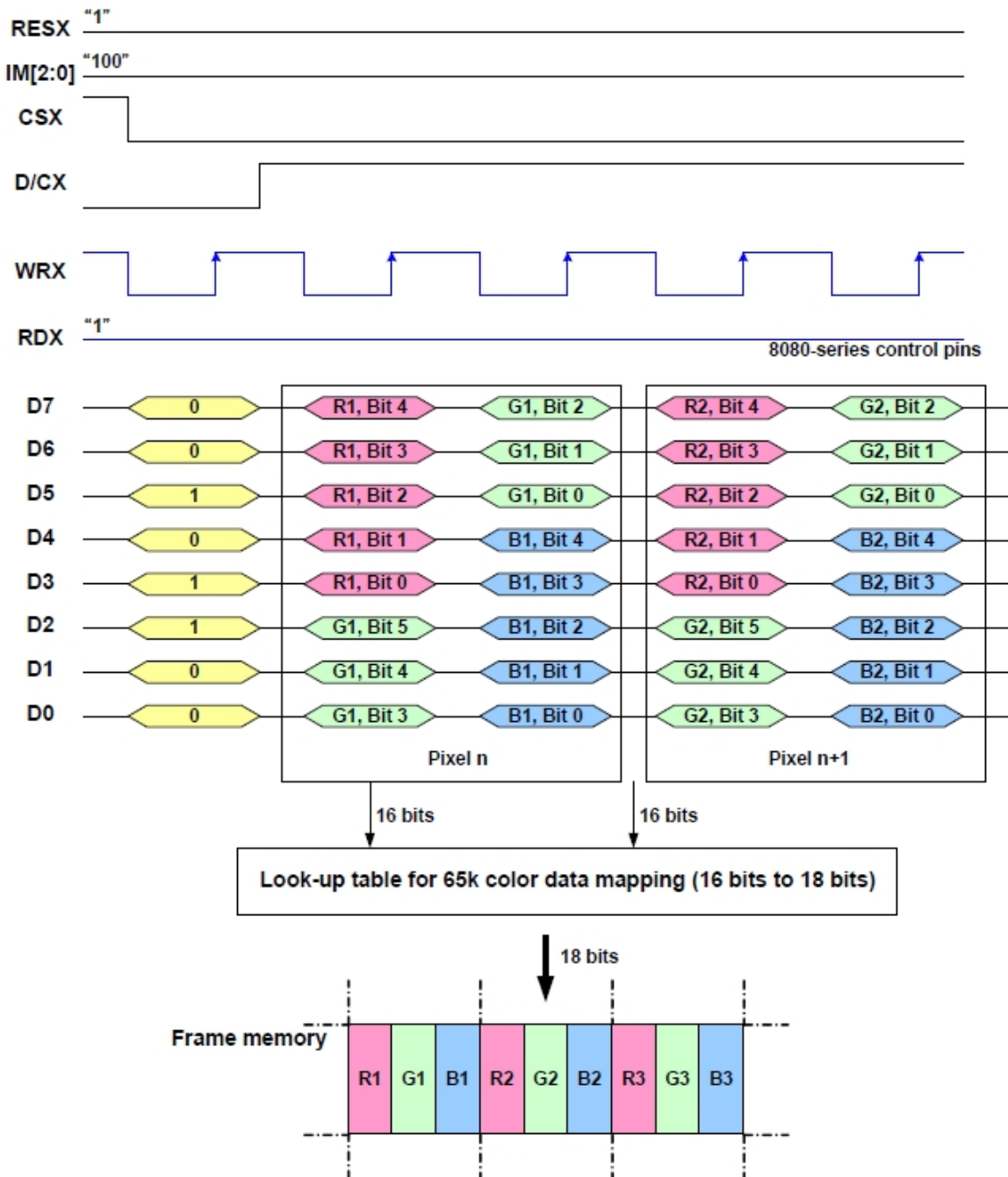
Note1: The data order is as follows, MSB=D7, LSB=D0 and picture data is MSB=Bit 3, LSB=Bit 0 for Red, Green and Blue data.

Note 2: 3-timetransfer is used to transmit 1 pixel data with the 12-bit color depth information.

Note 3: '-' = Don't care -Can be set to '0' or '1'

8-Bit Data Bus for 16-Bit/Pixel (RGB 5-6-5-Bit Input), 65K-Colors, 3AH= "05h"

There is 1 pixel (3 sub-pixels) per 2-byte



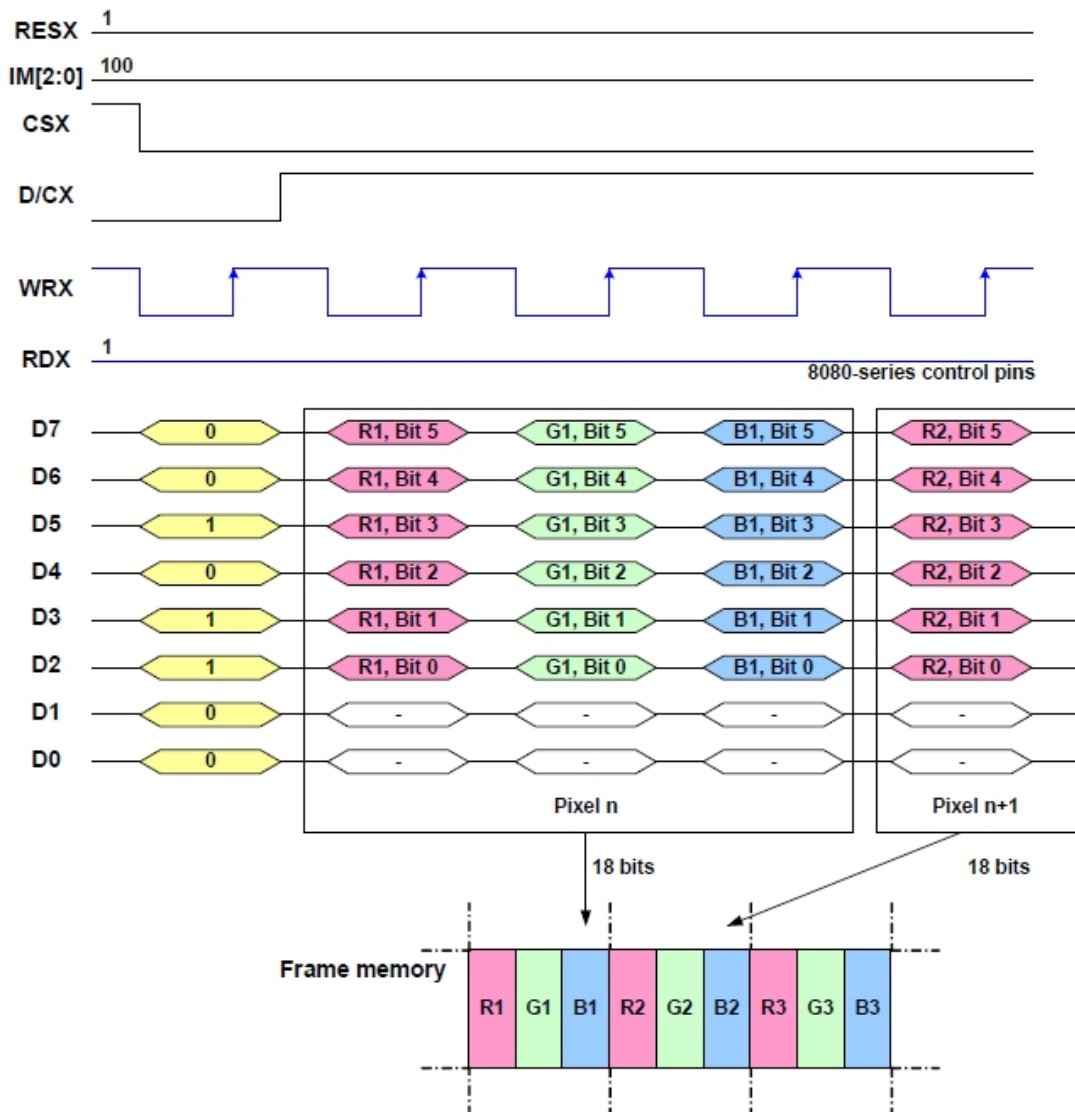
Note1: The data order is as follows, MSB=D7, LSB=D0 and picture data is MSB=Bit 5, LSB=Bit 0 for Green and MSB=Bit 4, LSB=Bit 0 for Red and Blue data.

Note 2: 2-times transfer is used to transmit 1 pixel data with the 16-bit color depth information.

Note 3: '-' = Don't care -Can be set to '0' or '1'

8-Bit Data Bus for 18-Bit/Pixel (RGB 6-6-6-Bit Input), 262K-Colors, 3AH= "06h"

There is 1 pixel (3 sub-pixels) per 3-bytes.



Note 1: The data order is as follows, MSB=D7, LSB=D0 and picture data is MSB=Bit 5, LSB=Bit 0 for Red, Green and Blue data.

Note 2: 3-times transfer is used to transmit 1 pixel data with the 18-bit color depth information.

Note 3: '-' = Don't care -Can be set to '0' or '1'

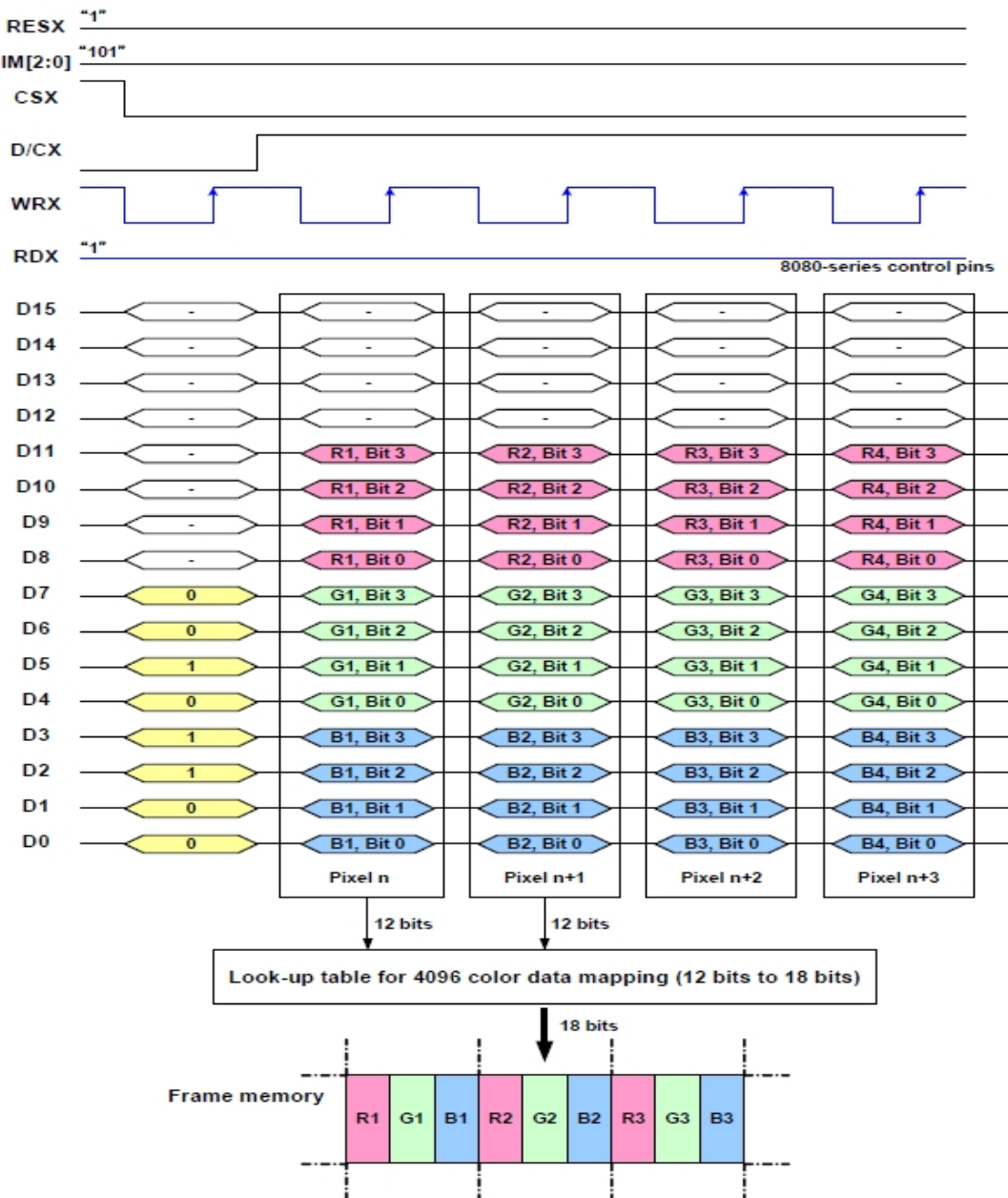
8.2. 16-Bit Parallel Interface (IM2,IM1, IM0= "101")

Different display data formats are available for three colors depth supported by listed below.

- 4k Colors, RGB 4,4,4-Bit Input
- 65k Colors, RGB 5,6,5-Bit Input
- 262k Colors, RGB 6,6,6-Bit Input

16-Bit Data Bus for 12-Bit/Pixel (RGB 4-4-4-Bit Input), 4K-Colors, 3AH= "03h"

There is 1 pixel (3 sub-pixels) per 1 byte

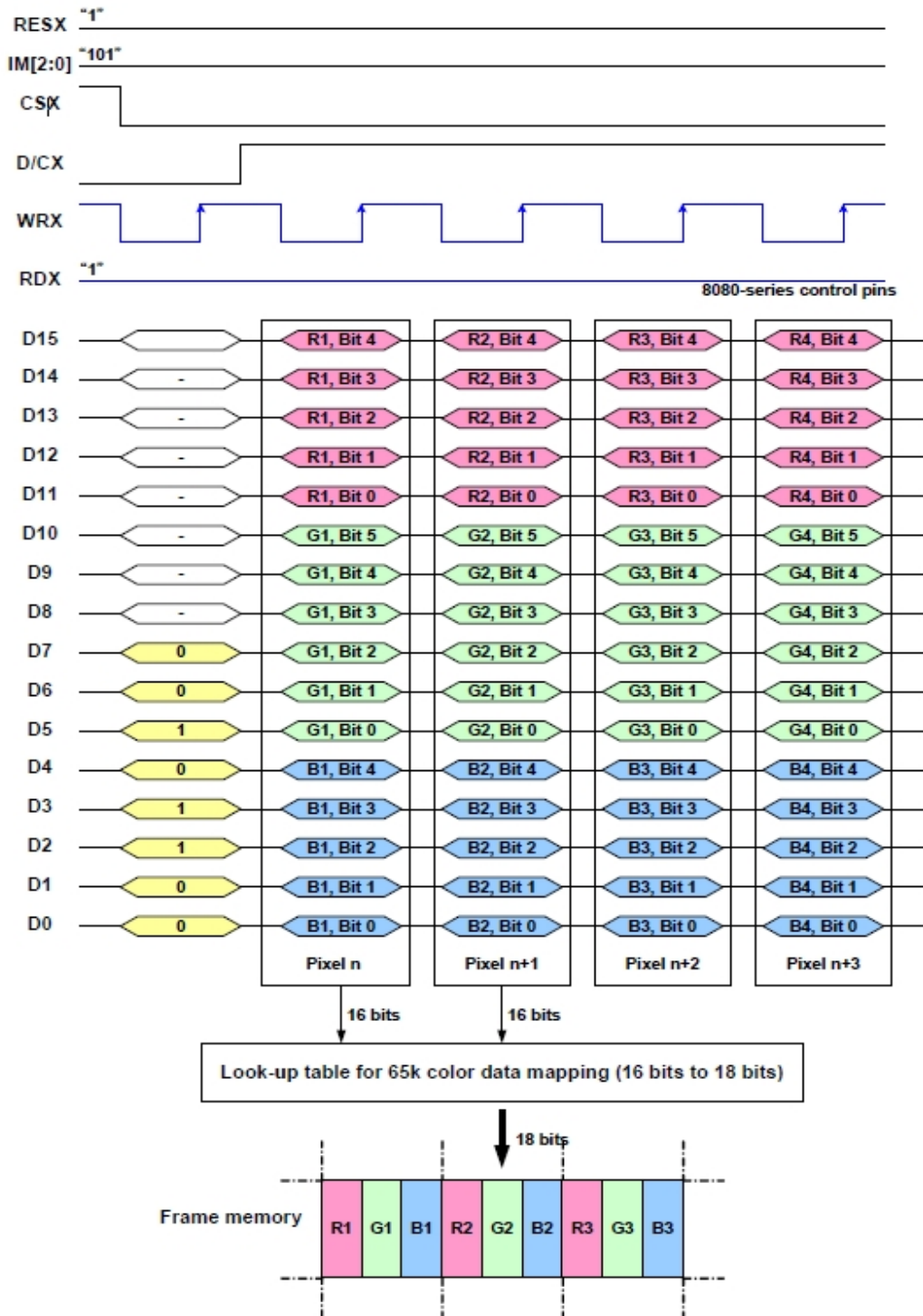


Note1: The data order is as follows, MSB=D11, LSB=D0 and picture data is MSB=Bit 3, LSB=Bit 0 for Red, Green and Blue data.

Note 2: 1-times transfer (D11 to D0) is used to transmit 1 pixel data with the 12-bit color depth information.

16-Bit Data Bus for 16-Bit/Pixel (RGB 5-6-5-Bit Input), 65K-Colors, 3AH= "05h"

There is 1 pixel (3 sub-pixels) per 1 byte



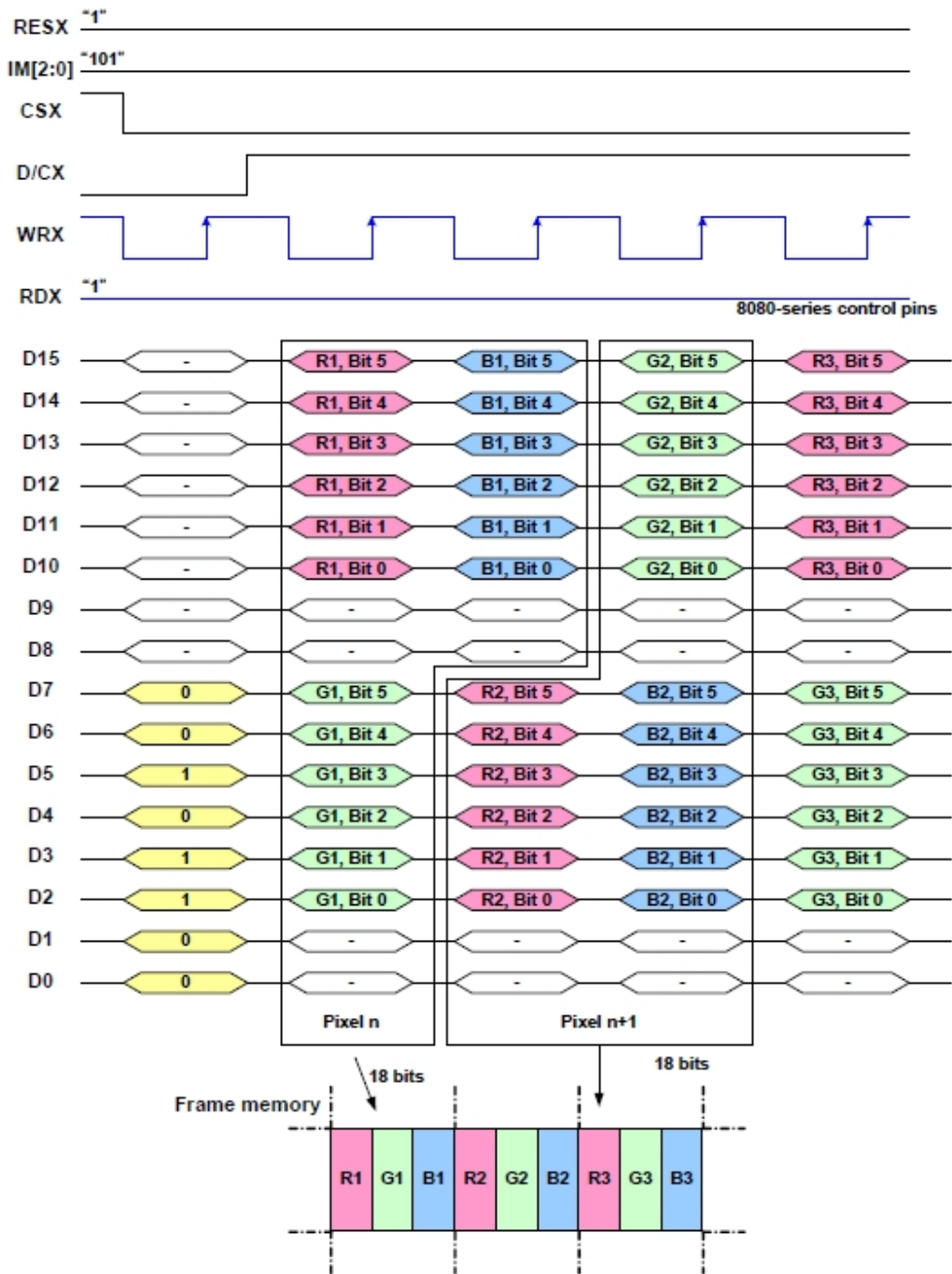
Note1: The data order is as follows, MSB=D15, LSB=D0 and picture data is MSB=Bit 5, LSB=Bit 0 for Green, and MSB=Bit 4, LSB=Bit 0 for Red and Blue data.

Note 2: 1-times transfer (D15 to D0) is used to transmit 1 pixel data with the 16-bit color depth information.

Note 3: '-' = Don't care -Can be set to '0' or '1'

16-Bit Data Bus for 18-Bit/Pixel (RGB 6-6-6-Bit Input), 262K-Colors, 3AH= "06h"

There are 2 pixels (6 sub-pixels) per 3 bytes



Note1: The data order is as follows, MSB=D15, LSB=D0 and picture data is MSB=Bits 5, LSB=Bit 0 for Red, Green and Blue data.

Note 2: 3-times transfer is used to transmit 1 pixel data with the 18-bit color depth information.

Note 3: '-' = Don't care -Can be set to '0' or '1'

8.3. 3-Line Serial Interface

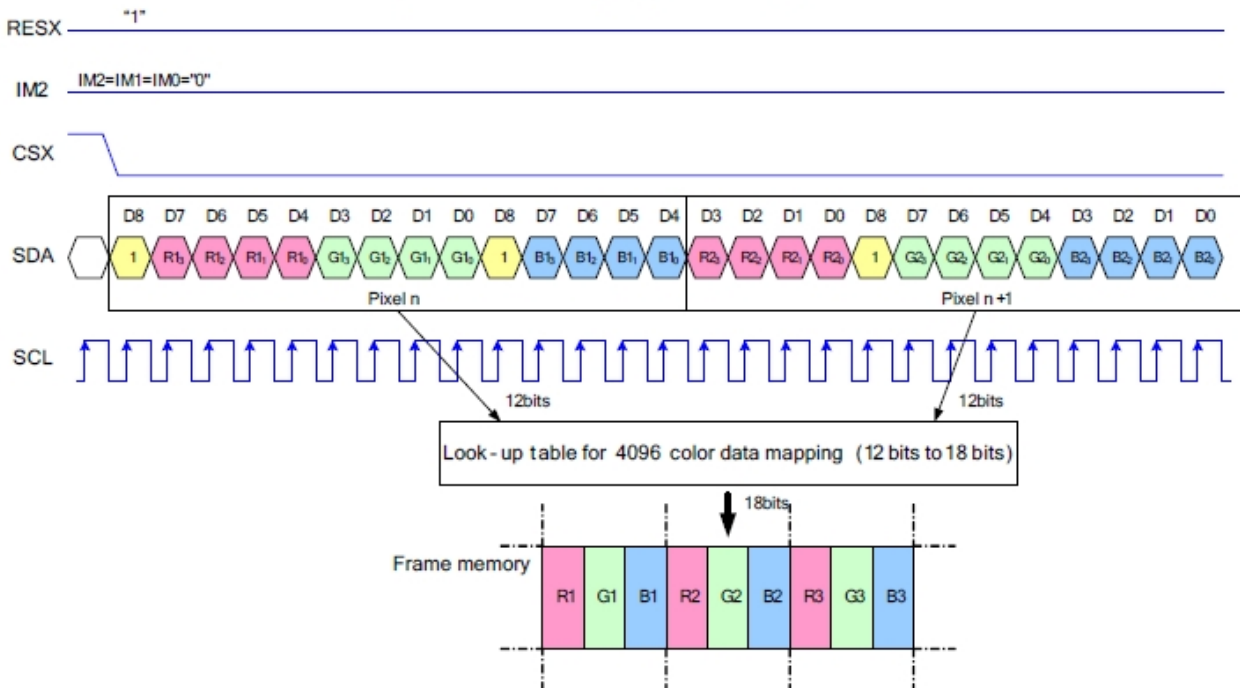
Different display data formats are available for three colors depth supported by the LCM listed below.

4k Colors, RGB 4-4-4-Bit Input

65k Colors, RGB 5-6-5-Bit Input

262k Colors, RGB 6-6-6-Bit Input

Write Data for 12-Bit/Pixel (RGB 4-4-4-Bit Input), 4K-Colors, 3AH="03h"

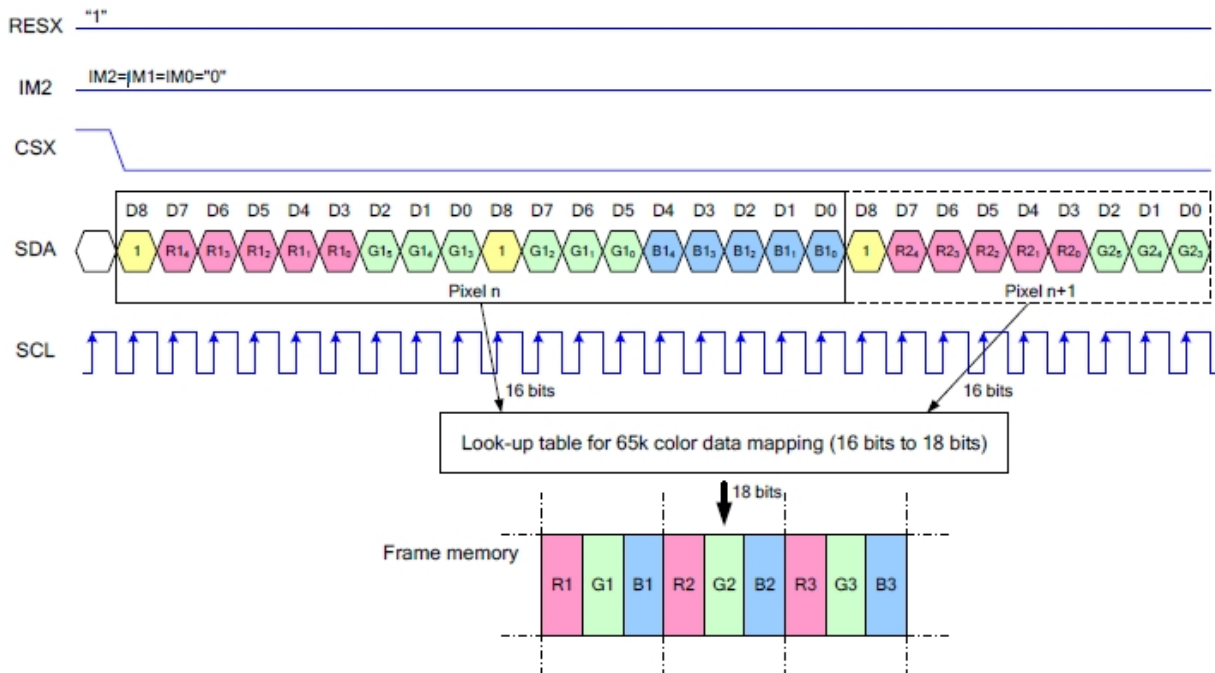


Note 1: Pixel data with the 12-bit color depth information

Note 2: The most significant bits are: Rx3, Gx3 and Bx3

Note 3: The least significant bits are: Rx0, Gx0 and Bx0

Write Data for 16-Bit/Pixel (RGB 5-6-5-Bit Input), 65K-Colors, 3AH="05h"

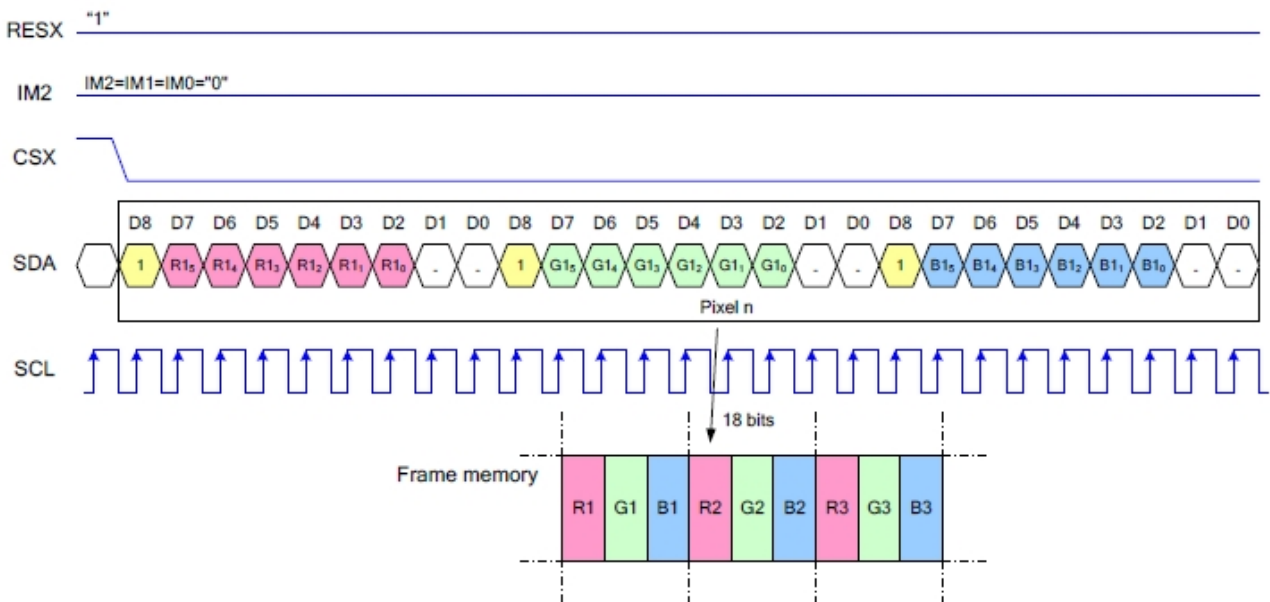


Note 1: Pixel data with the 16-bit color depth information

Note 2: The most significant bits are: Rx4, Gx5 and Bx4

Note 3: The least significant bits are: Rx0, Gx0 and Bx0

Write Data for 18-Bit/Pixel (RGB 6-6-6-Bit Input), 262K-Colors, 3AH="06h"



Note 1: Pixel data with the 18-bit color depth information

Note 2: The most significant bits are: Rx5, Gx5 and Bx5

Note 3: The least significant bits are: Rx0, Gx0 and Bx0



### 8. Optical Characteristics

Item	Symbol	Condition.	Min	Typ.	Max.	Unit	Remark
Response Time	Tr	$\theta=0^\circ \text{ , } \phi=0^\circ$	-	2	4	.ms	Note 3,5
	Tf			6	12		
Contrast Ratio	CR	At optimized viewing angle	400	500	-	-	Note 4,5
Color Chromaticity	White	$\theta=0^\circ \text{ , } \phi=0^\circ$	0.26	0.31	0.36		Note 2,6,7
				0.28	0.33		
Viewing Angle (Gray Scale Inversion Direction)	Hor.	$\Theta_R$	35	45		Deg.	Note 1
		$\Theta_L$	35	45			
	Ver.	$\Phi_T$	35	45			
		$\Phi_B$	10	20			
Brightness	-	-	450	500	-	Cd/m <sup>2</sup>	Center of display

Ta=25°C±2°C

Note 1: Definition of viewing angle range

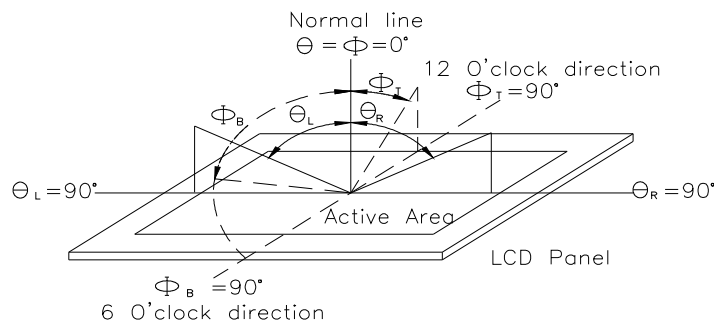


Fig.9.1. Definition of viewing angle

Note 2: Test equipment setup:

After stabilizing and leaving the panel alone at a driven temperature for 10 minutes, the measurement should be executed. Measurement should be executed in a stable, windless, and dark room. Optical specifications are measured by Topcon BM-7 or BM-5 luminance meter 1.0° field of view at a distance of 50cm and normal direction.

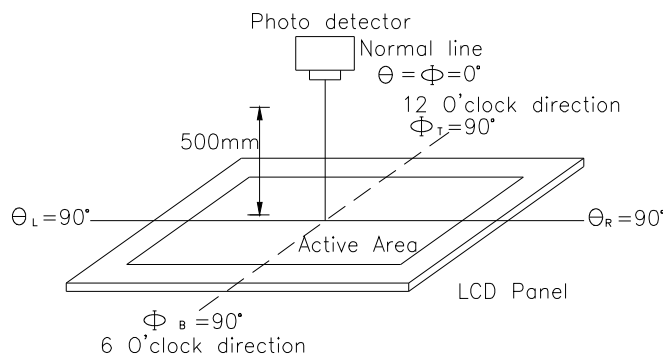
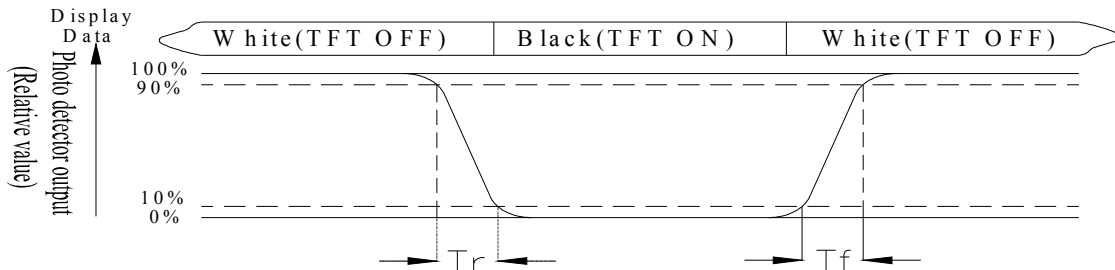


Fig. 9.2. Optical measurement system setup

Note 3: Definition of Response time:

The response time is defined as the LCD optical switching time interval between “White” state and “Black” state. Rise time,  $T_r$ , is the time between photo detector output intensity changed from 90% to 10%. And fall time,  $T_f$ , is the time between photo detector output intensity changed from 10% to 90%



Note 4: Definition of contrast ratio:

The contrast ratio is defined as the following expression.

$$\text{Contrast ratio (CR)} = \frac{\text{Luminance measured when LCD on the "White" state}}{\text{Luminance measured when LCD on the "Black" state}}$$

Note 5: White  $V_i = V_{i50} \pm 1.5V$

Black  $V_i = V_{i50} \pm 2.0V$

“±” means that the analog input signal swings in phase with VCOM signal.

“±” means that the analog input signal swings out of phase with VCOM signal.

The 100% transmission is defined as the transmission of LCD panel when all the input terminals of module are electrically opened.

Note 6: Definition of color chromaticity (CIE 1931)

Color coordinates measured at the center point of LCD

Note 7: Measured at the center area of the panel when all the input terminals of LCD panel are electrically opened.

## 9. Reliability

Content of Reliability Test (Wide temperature, -20°C~+70°C)

Environmental Test			
Test Item	Content of Test	Test Condition	Note
High Temperature storage	Endurance test applying the high storage temperature for a long time.	+80°C 200hrs	2
Low Temperature storage	Endurance test applying the low storage temperature for a long time.	-30°C 200hrs	1,2
High Temperature Operation	Endurance test applying the electric stress (Voltage & Current) and the thermal stress to the element for a long time.	+70°C 200hrs	—
Low Temperature Operation	Endurance test applying the electric stress under low temperature for a long time.	-20°C 200hrs	1
High Temperature/ Humidity Operation	The module should be allowed to stand at 60□,90%RH max	+60°C, 90%RH 96hrs	1,2
Thermal Shock Resistance	The sample should be allowed stand the following 10 cycles of operation <div style="text-align: center;"> <p style="margin: 0;">-20°C    +25°C    +70°C</p> <p style="margin: 0;">30min    5min    30min</p> <p style="margin: 0;">1 cycle</p> </div>	-20°C / +70°C 10 cycles	—
Vibration Test	Endurance test applying the vibration during transportation and using.	Total fixed amplitude : 1.5mm Vibration Frequency : 10~55Hz One cycle 60 seconds to 3 directions of X,Y,Z for Each 15 minutes	3
Static Electricity Test	Endurance test applying the electric stress to the terminal.	VS=±600V(Contact), ±800V(Air), RS=330Ω CS=150pF 10 times	—

Note1: No dew condensation to be observed.

Note2: The function test shall be conducted after 4 hours storage

at the normal Temperature and humidity after remove from the test chamber.

Note3: The packing have to including into the vibration testing.

## X-ON Electronics

Largest Supplier of Electrical and Electronic Components

*Click to view similar products for [TFT Displays & Accessories](#) category:*

*Click to view products by [Display Elektronik](#) manufacturer:*

Other Similar products are found below :

[OAI-80038AA-2013-A](#) [HDA430T-3G1H](#) [NB-ATT01](#) [TCG104SVLQAPNN-AN20](#) [OAI-80038AA-2008-A](#) [315-U004B15300](#) [EIC-LCD-1080P](#) [NL10276BC20-18C](#) [DEM 128160D](#) [TMH-PW-N](#) [RFE43BU-AIW-DNG](#) [EA WF050-40S](#) [EA WF050-40ST](#) [RFC350X-AWW-DNG](#) [RFS390E-AWW-DNN](#) [DEM 480272G2](#) [VMX-PW-N \(A-TOUCH\)](#) [PH800480T013-ICA](#) [DEM 1024600N](#) [VMX-PW-N \(C-TOUCH\)](#) [DEM 1024600P](#) [VMH-PW-N \(C-TOUCH\)](#) [SM-RVT50HQHNWCA0](#) [DEM 240280A](#) [VMH-PW-N](#) [DEM 170320A](#) [VMH-PW-N](#) [PH240320T068-LAB08](#) [DEM 800480T1](#) [TMH-PW-N](#) [PH128128T041-LAA07](#) [PH480272T005-IAC02](#) [DEM 1024600P](#) [VMH-PW-N \(A-TOUCH\)](#) [DEM 800480T1](#) [TMH-PW-N \(C-TOUCH\)](#) [DEM 800480Q4](#) [VMX-PW-N](#) [DEM 800480T1](#) [TMH-PW-N \(A-TOUCH\)](#) [PH320240T-023-I02Q](#) [PH128800T004-ZZA01](#) [RFE430W-1YW-DBS](#) [DEM 1024600N](#) [VMX-PW-N \(A-TOUCH\)](#) [PH240320T074-ZAA01](#) [DEM 480480D](#) [VMX-PW-N \(C-TOUCH\)](#) [SM-RVT50HQSNNWN00](#) [SM-RVT50HQHNWC00](#) [PH800480T033-ICB01](#) [RFE430W-AWW-DNN](#) [DEM 096096A](#) [VMH-PW-N](#) [RL0F00050000FGAAASA01](#) [SM-RVT50HQSNNWCA0](#) [SM-RVT50HQSNNWC00-B](#) [PH320240T028-ZEA01](#) [RFE430W-1YW-DBN](#) [SM-RVT50HQHNWC00-B](#) [DEM 120240A](#) [VMH-PW-N](#) [DEM 268800A](#) [VMH-PW-N](#) [RFF700B4-AIW-DNS](#) [DEM 800480O1](#) [VMH-PW-N](#)