






PRODUCT COUNTER-DRAWING APPROVAL SHEET

产品图纸确认书

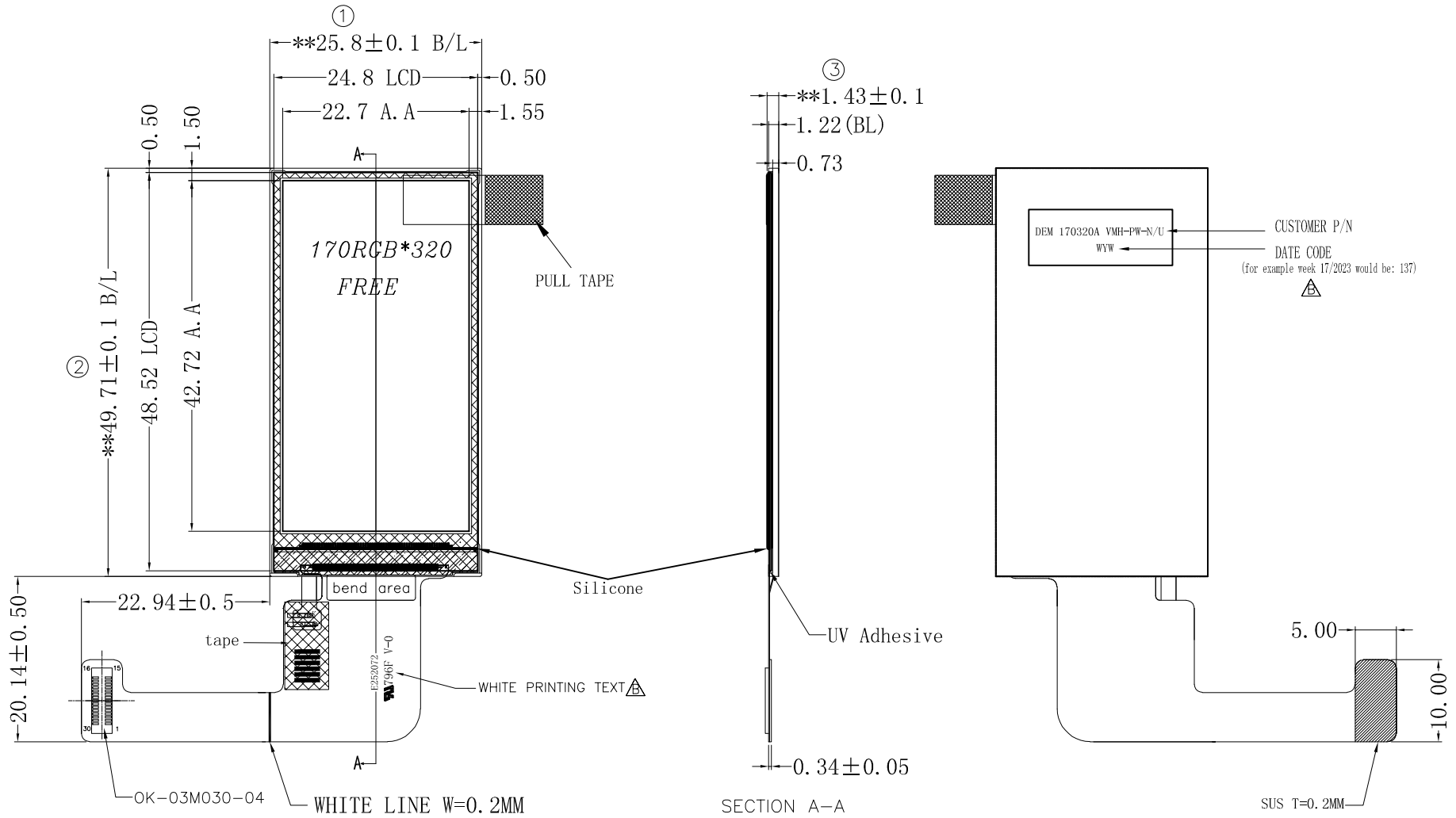
Ordering Number 订购型号	UNC-MFGF819003-01	Customer name 客户名称	DISPLAY ELEKTRONIK GMBH				
Internal Part Number 内部型号	UNC-MFGF819003-01	Customer P/N 客户型号	DEM 170320A VMH-PW-N/U				
Counter-drawing number 图纸名称	DWG-MFGF819003-01-VERB	Customer project name 客户项目名称					
Counter-drawing revision 图纸版本	B	No Use of Prohibited Substances defined in SOP-E-QS-009 and Only purchase Designated Raw Materials from Green Partners. (不使用SOP-E-QS-009 有害物质管控要求清单中禁止使用的物质; 指定原材料从绿色伙伴中购买)					
Counter-drawing revision date 图纸版本日期	2023-06-15						
Module type 模块类型	COG+FPC+BLU+PULL TAPE	<input checked="" type="checkbox"/> YES <input type="checkbox"/> NO	Customer Special Requirement:				
Display type 显示类型	TFT/TRANSMISSIVE						
Module dimension (WxHxT), mm 模块尺寸	25.8*49.71*1.43mm						
Number of dots 点阵个数	170 x R.G.B. x 320 DOTS						
Dot size (WxH), mm 点阵尺寸	0.134x0.134						
Display area (WxH), mm 显示区	22.7*42.72						
Viewing angle 视角	FREE						
Front polarizer type 表偏光片类型	Transmissive normal						
Back polarizer type 底偏光片类型	Transmissive normal						
Driver IC P/N 驱动 IC 型号	ST7789T3-G4-1						
Interface connector type 界面连接类型	FPC						
Operating temperature 工作温度	-20 °C ~ 70 °C						
Storage temperature 存储温度	-30 °C ~ 80 °C						
Prepared by: 作成	HD Li	Checked by: 检查		Checked by: 审核		Approved by: 批准	
Date/日期	2023-06-15		2023-06-15		2023-06-15		2023-06-15

Note: To shorten the prototype development leadtime, please return the signed drawing specification or any comments within 3 days.

CUSTOMER FEEDBACK INFORMATION/客户反馈信息		
CUSTOMER APPRAISE 客户评价	CUSTOMER'S REQUEST FOR CHANGES 客户要求改善意见	AUTOGRAPH 客户签字
<input type="checkbox"/> Drawing approved/图纸确认		
<input type="checkbox"/> Drawing not approved. Request for changes. 图纸不确认. 要求更改		

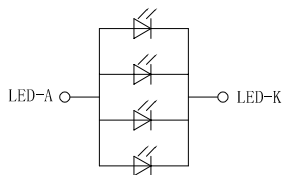
编号: F-RD-007-A0
保存期限: 产品失效期再加一个日历年

NO.	Pin Define
1	NC
2	NC
3	NC
4	NC
5	NC
6	GND
7	IM2
8	IM1
9	RESET
10	CS
11	GND
12	DC(SPI-scl)
13	WR(SPI-RS)
14	RD
15	SDA
16	SDO
17	GND
18	DB7
19	DB6
20	DB5
21	DB4
22	DB3
23	DB2
24	DB1
25	DB0
26	GND
27	VCC(2.8V)
28	IOVCC(2.8V)
29	LEDA
30	LEDK



NOTE:
 1. "◇"SPECIAL DIMENSION(PPK/CPK DATA NEEDED>1.67)
 2. "**"CONTROL DIMENSION
 3. No Use of Prohibited Substances defined in SOP-E-QS-009 and Only purchase Designated Raw Materials from Green Partners.
 4. DRIVER IC : ST7789T3-G4-1;

CIRCUIT DIAGRAM



FORWARD VOLTAGE: VF=3.1V(typ)
 FORWARD CURRENT:@IF=60mA
 LCM LUMINANCE:280cd/m2 (min)~350cd/m2 (typ)

QTN No.	VIEWING DIRECTION	FREF	UNC-MFGF819003-01	Uncorn Electronic(ShenZhen)Co Ltd.	
CUSTOMER NAME	INTERFACE TYPE	MCU-8bit/4SP	UNSPECIFIED TOLERANCE: ±0.2	VERSION B	DRAWING NO. DWG-MFGF819003-01-VERB
CUSTOMER P/N	op	20°C ~ 70°C	FIRST ISSUE	LHD	230524
	Tst	-30°C ~ 80°C	REVISION RECORD	REVISED BY	DATE

TFT MODULE DRAWING

DATE	DRAWING BY	DATE	PAGE
230615	LHD	230615	1-1

X-ON Electronics

Largest Supplier of Electrical and Electronic Components

Click to view similar products for [TFT Displays & Accessories](#) category:

Click to view products by [Display Elektronik](#) manufacturer:

Other Similar products are found below :

[OAI-80038AA-2013-A](#) [HDA430T-3G1H](#) [T-51750GD065J-LW-BGN](#) [NB-ATT01](#) [NL8060BC26-35C](#) [TCG104SVLQAPNN-AN20](#) [OAI-80038AA-2008-A](#) [315-U004B15300](#) [EIC-LCD-1080P](#) [NL10276BC20-18C](#) [NLB121XG01L-01](#) [DEM 128160D](#) [TMH-PW-N](#) [RFE43BU-AIW-DNG](#) [RFC350X-AWW-DNG](#) [RFS390E-AWW-DNN](#) [DEM 480272G2](#) [VMX-PW-N \(A-TOUCH\)](#) [PH800480T013-ICA](#) [DEM 1024600N](#) [VMX-PW-N \(C-TOUCH\)](#) [DEM 1024600P](#) [VMH-PW-N \(C-TOUCH\)](#) [SM-RVT50HQHNWCA0](#) [DEM 240280A](#) [VMH-PW-N](#) [DEM 170320A](#) [VMH-PW-N](#) [PH240320T068-LAB08](#) [DEM 800480T1](#) [TMH-PW-N](#) [PH128128T041-LAA07](#) [DEM 800480Q4](#) [VMX-PW-N \(A-TOUCH\)](#) [PH480272T005-IAC02](#) [DEM 1024600P](#) [VMH-PW-N \(A-TOUCH\)](#) [DEM 800480T1](#) [TMH-PW-N \(C-TOUCH\)](#) [DEM 800480Q4](#) [VMX-PW-N](#) [DEM 800480T1](#) [TMH-PW-N \(A-TOUCH\)](#) [PH320240T-023-I02Q](#) [PH128800T004-ZZA01](#) [RFE430W-1YW-DBS](#) [DEM 1024600N](#) [VMX-PW-N \(A-TOUCH\)](#) [PH240320T074-ZAA01](#) [DEM 480480D](#) [VMX-PW-N \(C-TOUCH\)](#) [SM-RVT50HQSNWN00](#) [SM-RVT50HQHNWC00](#) [PH800480T033-ICB01](#) [RFE430W-AWW-DNN](#) [DEM 096096A](#) [VMH-PW-N](#) [RL0F00050000FGAAASA01](#) [PH320480T009-LAA01](#) [SM-RVT50HQSNWCA0](#) [SM-RVT50HQSNWC00-B](#) [PH320240T028-ZEA01](#) [RFE430W-1YW-DBN](#) [SM-RVT50HQLFWN00](#) [SM-RVT50HQHNWC00-B](#)