

DISPLAY Elektronik GmbH

DATA SHEET

LCD MODULE

DEM 20485 FGH-PW

Product Specification

Version : 1.1.0

11.09.2008

CONTENTS

1. FUNCTIONS & FEATURES2

2. MECHANICAL SPECIFICATIONS.....2

3. EXTERNAL DIMENSIONS.....3

4. BLOCK DIAGRAM.....3

5. PIN ASSIGNMENT.....4

6. PCB DRAWING AND DESCRIPTION4

7. BACKLIGHT VOLTAGE AND CURRENT6

9. MAXIMUM ABSOLUTE LIMIT (TA=25°C)7

10. ELECTRICAL CHARACTERISTICS7

11. CONTROL AND DISPLAY COMMAND.....9

12. STANDARD CHARACTER PATTERN(ST7066-0A)10

13. LCM INITIALIZING BY INSTRUCTION11

14. LCD MODULES HANDLING PRECAUTIONS.....13

15. OTHERS.....13

1. FUNCTIONS & FEATURES

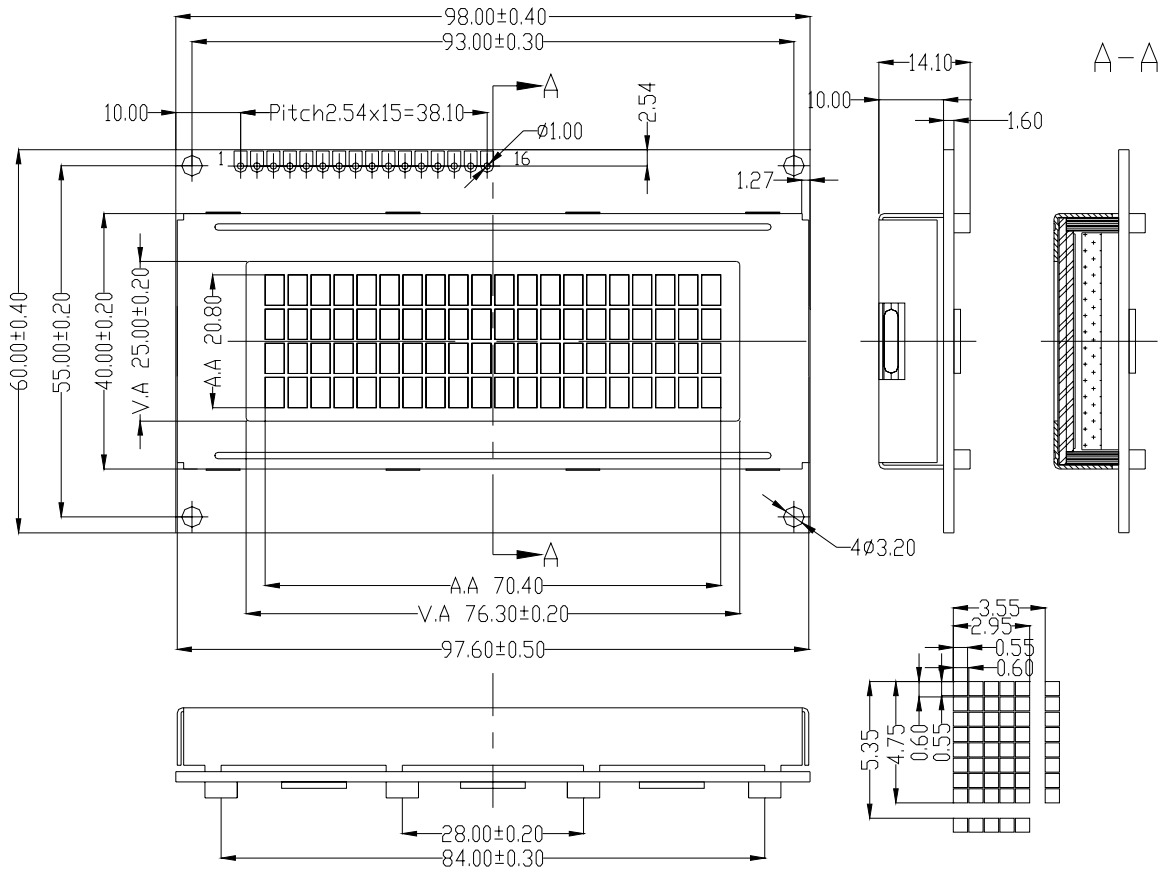
| MODULE | LCD TYPE |
|------------------|----------------------------------|
| DEM 20485 FGH-PW | FSTN Transflective Positive Mode |

- Viewing Direction : 6 O'clock
- Driving Scheme : 1/16 Duty Cycle, 1/5 Bias
- Power Supply Voltage : 5.0V (typ.)
- Backlight Color : White
- VLCD Adjustable For Best Contrast : 4.5V(V_{DD}-V5)
- Display contents : 20 x 4Characters (5 x 8 dots, Format: 208 Kinds)
- Operating Temperature : - 20°C to + 70°C
- Storage Temperature : - 25°C to + 75°C
- Internal Memory : CGROM (10,080 bits)
: CGRAM (64 x 8 bits)
: DDRAM (80 x 8 bits for Digits)
- Interface : Easy Interface with a 4-bit or 8-bit MPU

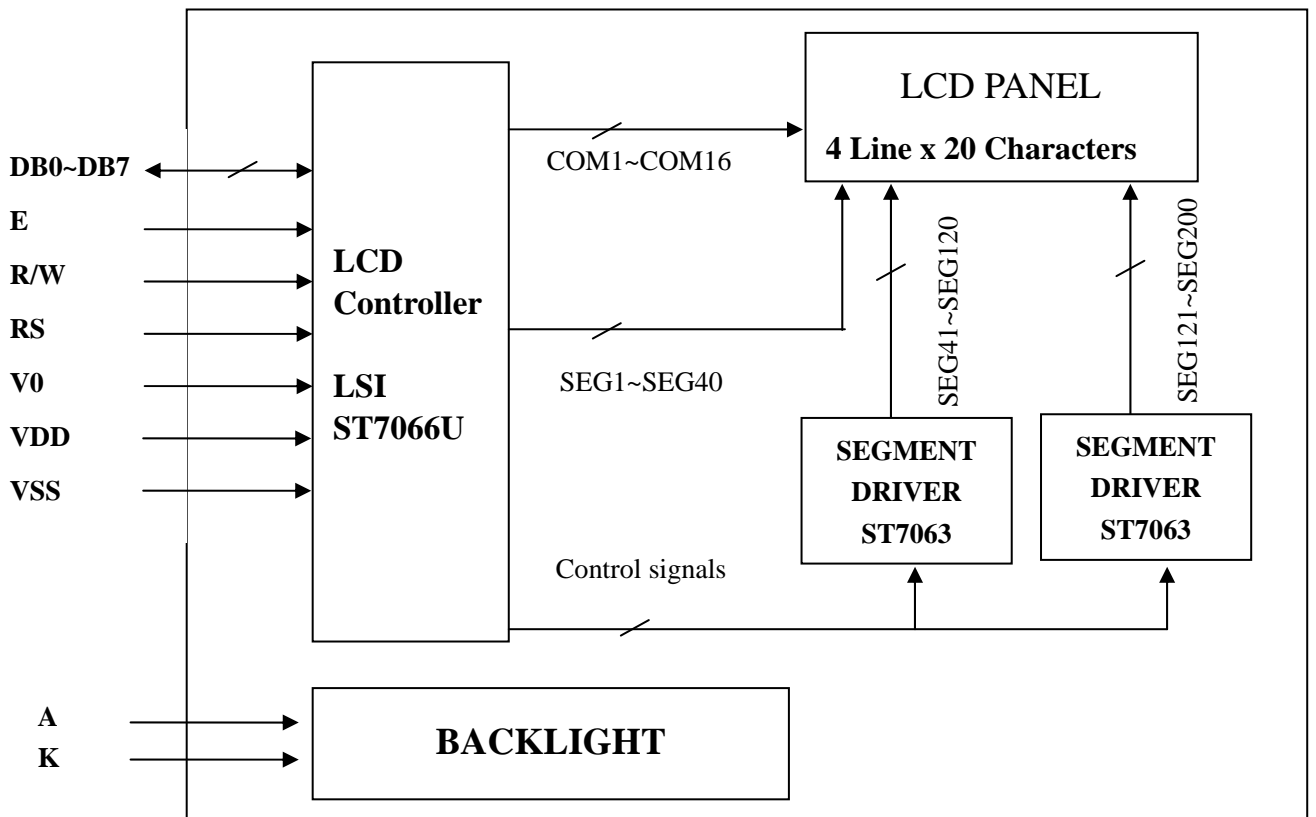
2. MECHANICAL SPECIFICATIONS

- Module Size : 98.00 x 60.00 x 14.10 mm
- Character Pitch : 3.55 x 5.35 mm
- Character Size : 2.95 x 4.75 mm
- Character Font : 5 x 8 dots
- Dot Size : 0.55 x 0.55 mm
- Dot Pitch : 0.60 x 0.60 mm
- Dot Size : 0.05 mm

3. EXTERNAL DIMENSIONS



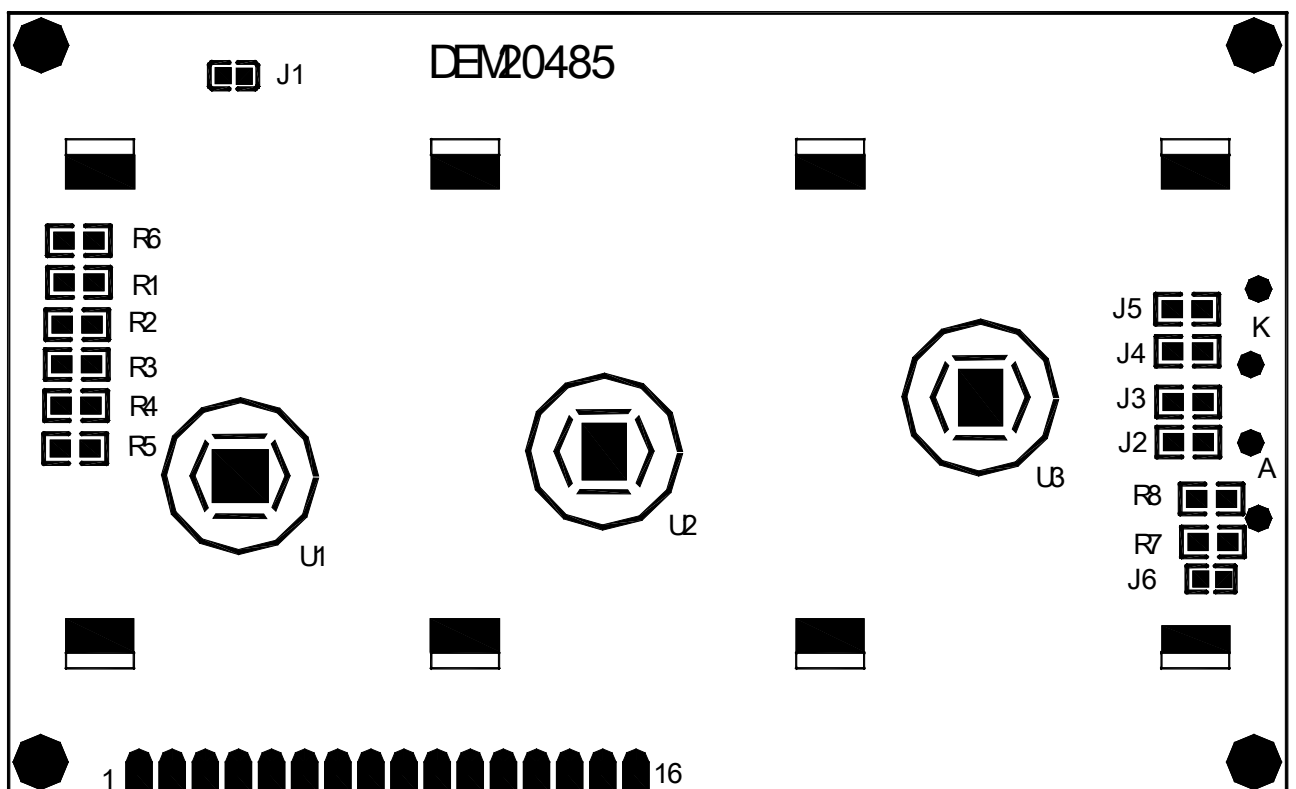
4. BLOCK DIAGRAM



5. PIN ASSIGNMENT

| Pin No. | Symbol | Function |
|---------|---------|--|
| 1 | VSS | Ground terminal of module |
| 2 | VDD | Power supply of module +5V |
| 3 | V0 | Power Supply for LCD |
| 4 | RS | Register Select RS=0...Instruction Register RS=1...Data Register |
| 5 | R/W | Read or Write R/W=1...Read R/W=0...Write |
| 6 | E | Enable signal |
| 7 | DB0 | Bi-directional Data Bus, Data Transfer is performed Once, thru DB0~DB7, in the case of interface data. Length is 8-bits; and twice, thru DB4~DB7 in the case of interface data length is 4-bits. Upper four bits first then lower four bits. |
| 8 | DB1 | |
| 9 | DB2 | |
| 10 | DB3 | |
| 11 | DB4 | |
| 12 | DB5 | |
| 13 | DB6 | |
| 14 | DB7 | |
| 15 | LED-(K) | Place also refer to 6.1 PCB Drawing and description |
| 16 | LED-(A) | Place also refer to 6.1 PCB Drawing and description |

6. PCB DRAWING AND DESCRIPTION



6.1 DESCRIPTION:

6-1-1. The polarity of the pin 15 and the pin 16

| symbol | symbol state | J3,J5 | J2, J4 | LED Polarity | |
|--------|--------------------|-------------|-------------|--------------|---------|
| | | | | 15 Pin | 16 Pin |
| J2,J4 | Each solder-bridge | Each open | Each closed | Anode | Cathode |
| J3,J5 | Each solder-bridge | Each closed | Each open | Cathode | Anode |

Note: In application module, J2=J4= open and J3=J5=0 Ohm

6-1-2. The metal-bezel is set be on ground when the J1=0 Ohm

Note: In application module, J1=0 Ohm

6-1-3. The LED resistor on board are used when J6 is open

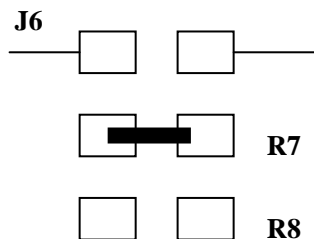
Note: In application module, J6=open

6-1-4. The R7 and the R8 are the LED resistor.

Note: In application module, R7=12 Ohm, R8=open

6.2 Example application

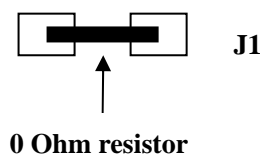
6-2-1. The LED resistor should be bridged as following. Then customer needs to use internal resistors



6-2-2. The 15 pin is the cathode and the 16 pin is the anode as following

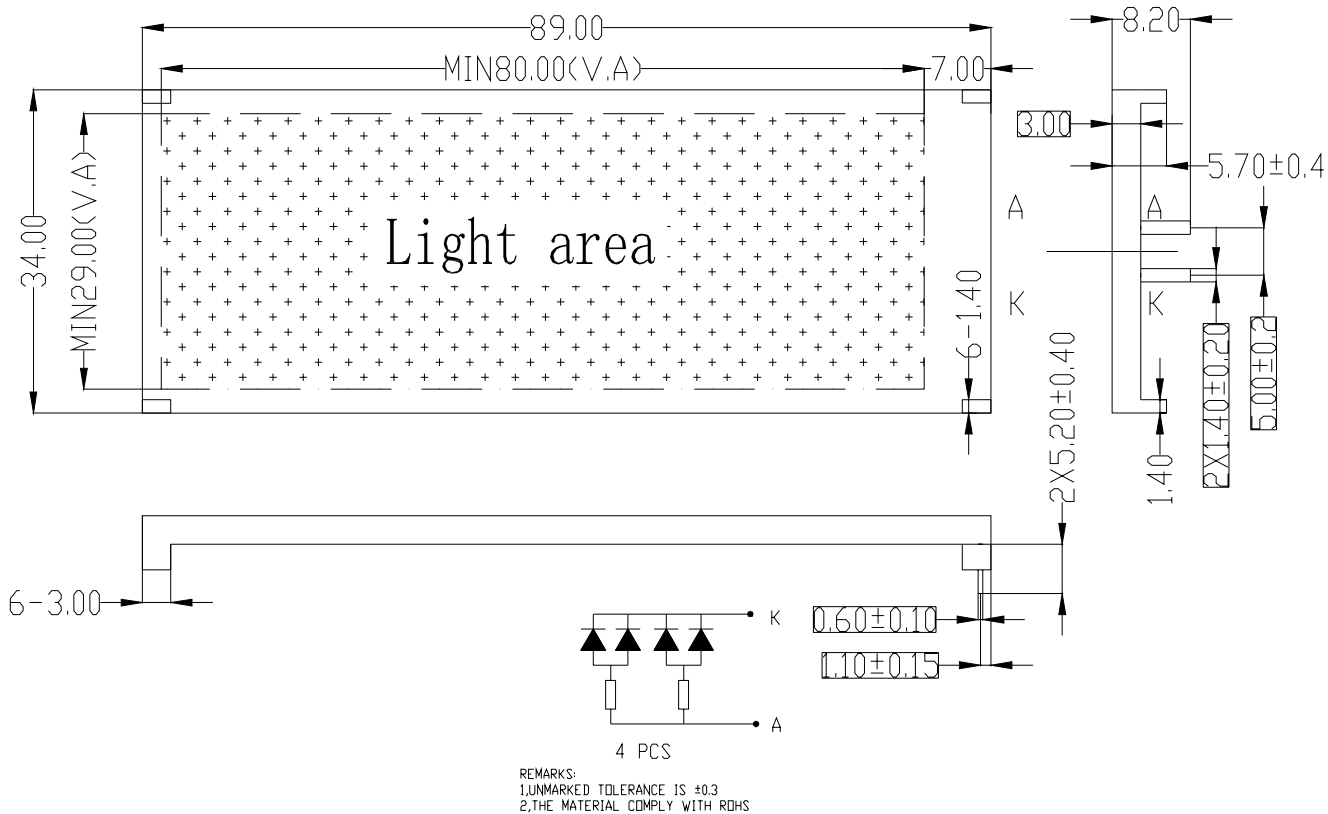


6-2-3. The metal-bezel is on ground as following.



7. BACKLIGHT VOLTAGE AND CURRENT

| Item | Symbol | MIN. | TYP. | MAX. | Unit | Conditions |
|-------------------------|-------------|------------------|-------|------------------|-------------------|---|
| Forward Voltage | V_f | | 4.0 | - | V | |
| Forward Current | I_f | 40 | 60 | 80 | mA | $V_f=4.0V$ |
| Power Dissipation | P_d | | 0.24 | | W | $V_f=4.0V$ |
| Reverse Voltage | V_R | | 4.0 | | V | |
| Reverse Current | I_R | | - | 0.40 | mA | |
| Luminous Intensity | L_v | 300 | 450 | 600 | cd/m ² | $V_f=4.0V$ |
| Luminous Uniformity | | 70 | | | % | |
| Chromaticity coordinate | | X=0.27 Y=0.27 | - | X=0.33 Y=0.33 | | |
| Emission Wavelength | λ_p | | White | | nm | $I_f=20mA, T_a=25^\circ C$ Each chip |



8. DISPLAY DATA RAM (DDR4M)

| | 1 | 2 | 3 | 4 | 5 | 6 | 7 | 8 | 9 | 10 | 11 | 12 | 13 | 14 | 15 | 16 | 17 | 18 | 19 | 20 |
|-------------|----|----|----|----|----|----|----|----|----|----|----|----|----|----|----|----|----|----|----|----|
| FIRST LINE | 00 | 01 | 02 | 03 | 04 | 05 | 06 | 07 | 08 | 09 | 0A | 0B | 0C | 0D | 0E | 0F | 10 | 11 | 12 | 13 |
| SECOND LINE | 40 | 41 | 42 | 43 | 44 | 45 | 46 | 47 | 48 | 49 | 4A | 4B | 4C | 4D | 4E | 4F | 50 | 51 | 52 | 53 |
| THIRD LINE | 14 | 15 | 16 | 17 | 18 | 19 | 1A | 1B | 1C | 1D | 1E | 1F | 20 | 21 | 22 | 23 | 24 | 25 | 26 | 27 |
| FOURTH LINE | 54 | 55 | 56 | 57 | 58 | 59 | 5A | 5B | 5C | 5D | 5E | 5F | 60 | 61 | 62 | 63 | 64 | 65 | 66 | 67 |

DISPLAY POSITION

DDR4M ADDRESS

9. MAXIMUM ABSOLUTE LIMIT (Ta=25°C)

| Item | Symbol | Standard value | Unit |
|-----------------------|------------------|--|------|
| Power supply voltage | V _{DD} | -0.3~+7.0 | V |
| LCD Driver voltage | V _{LCD} | V _{DD} -10.0~V _{DD} +0.3 | V |
| Input voltage | V _{IN} | -0.3~V _{DD} +0.3 | V |
| Operating temperature | T _{opr} | -20~+70 | °C |
| Storage temperature | T _{stg} | -25~+75 | °C |

10. ELECTRICAL CHARACTERISTICS

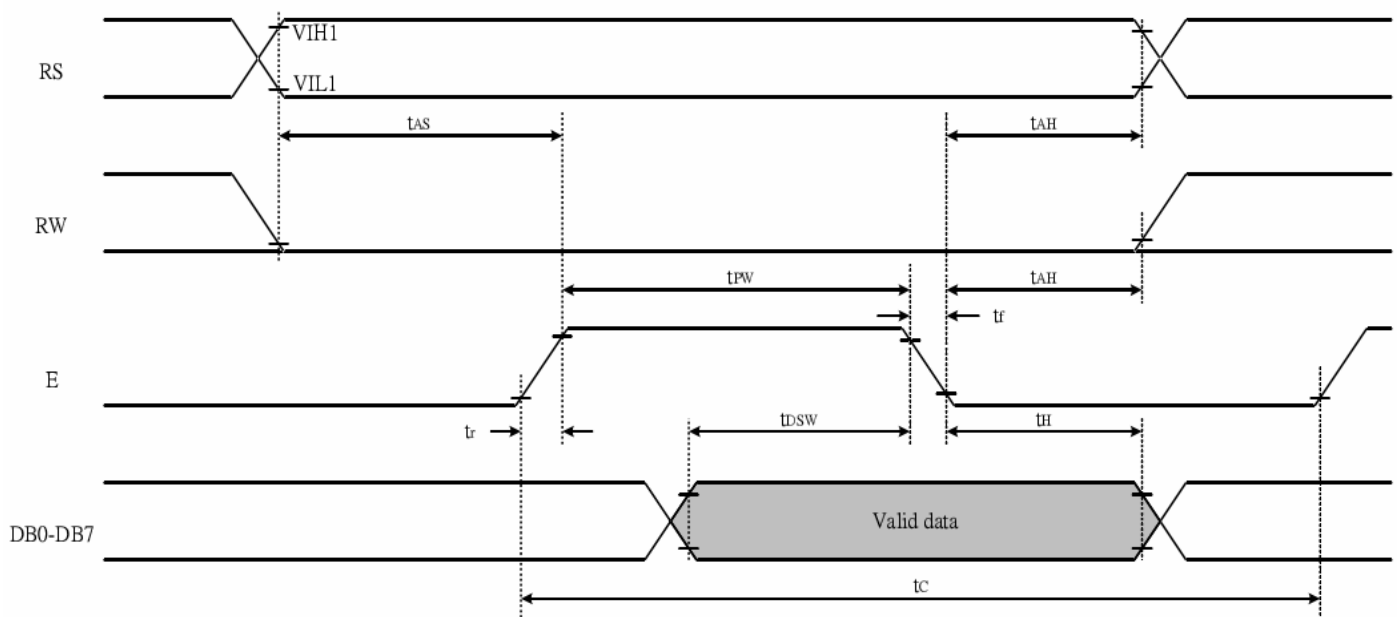
10-1 DC Characteristics(V_{DD}=5.0V, Ta=-20~+70°C)

| Item | Symbol | Standard Value | | | Test Condition | Unit |
|---------------------|------------------|----------------|-----|------|---------------------------------|------|
| | | MIN | TYP | MAX | | |
| Operating Voltage | V _{DD} | 4.5 | 5 | 5.5 | ----- | V |
| Supply Current | I _{DD} | ---- | 0.2 | 0.5 | V _{DD} =5V,fosc=270kHz | mA |
| LCD Driving Voltage | V _{LCD} | 3.0 | --- | 10.0 | V _{DD} -V5 | V |

10-2 AC Characteristics (V_{DD}=5.0V, Ta=-20~+70°C)

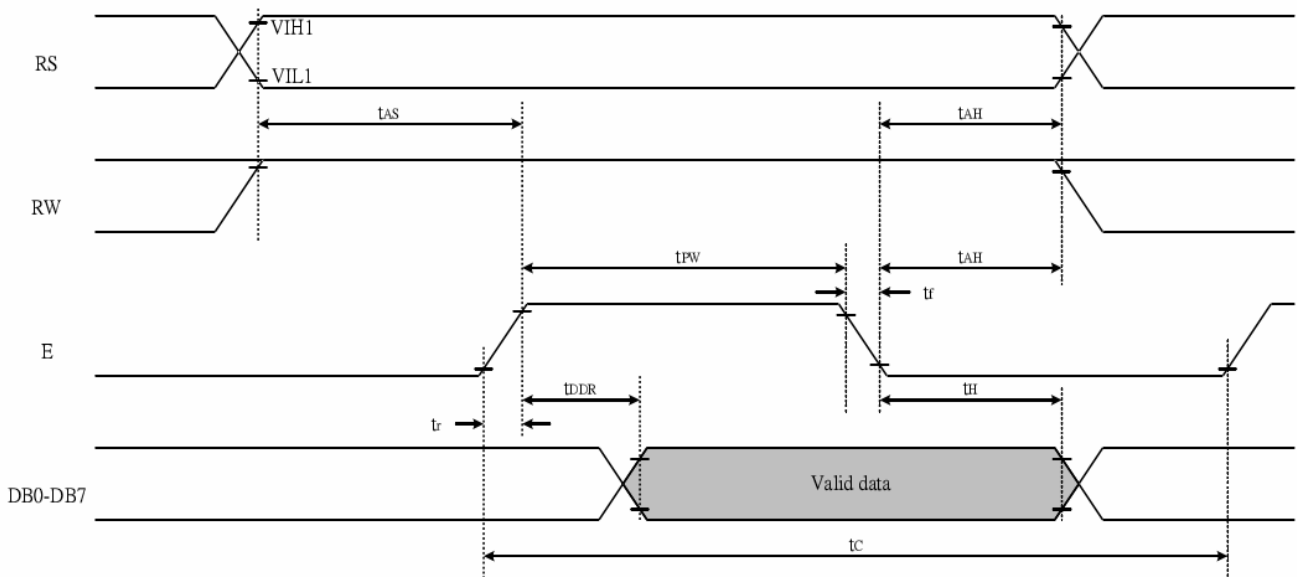
10-2-1 Write mode

| Characteristic | Symbol | Min | Type | Max | Unit | Test PIN |
|-----------------------|---------------------------------|------|------|-----|------|----------|
| Enable Cycle Time | t _C | 1200 | --- | --- | ns | E |
| Enable Pulse Time | T _{PW} | 460 | --- | --- | ns | E |
| Enable Rise/Fall Time | T _R , T _F | --- | --- | 25 | ns | E |
| Address Set-up Time | T _{AS} | 0 | --- | --- | ns | R/W,RS,E |
| Address Hold Time | T _{AH} | 10 | --- | --- | ns | R/W,RS,E |
| Data Set-up Time | T _{DSW} | 80 | --- | --- | ns | DB0~DB7 |
| Data Hold Time | T _H | 10 | --- | --- | ns | DB0~DB7 |



10-2-2 Read mode

| Characteristic | Symbol | Min | Type | Max | Unit | Test PIN |
|-----------------------|------------|------|------|-----|------|----------|
| Enable Cycle Time | t_C | 1200 | --- | --- | ns | E |
| Enable Pulse Time | T_{PW} | 480 | --- | --- | ns | E |
| Enable Rise/Fall Time | T_R, T_F | --- | --- | 25 | ns | E |
| Address Set-up Time | T_{AS} | 0 | --- | --- | ns | R/W,RS,E |
| Address Hold Time | T_{AH} | 10 | --- | --- | ns | R/W,RS,E |
| Data Set-up Time | T_{DDR} | --- | --- | 320 | ns | DB0~DB7 |
| Data Hold Time | T_H | 10 | --- | --- | ns | DB0~DB7 |



11. CONTROL AND DISPLAY COMMAND

| Command | RS | R/W | DB7 | DB6 | DB5 | DB4 | DB3 | DB2 | DB1 | DB0 | Execution time (fosc=270KHz) | Remark |
|-------------------------|----|-----|-----|-----|-----|-----|-----|-----|-----|-----|---------------------------------|--|
| clear Display | L | L | L | L | L | L | L | L | L | H | 1.52ms | Write "20H" to DDRAM and set DDRAM address to "00H" from AC |
| Return home | L | L | L | L | L | L | L | L | H | --- | 1.52ms | Set DDRAM address to "00H" from AC and return cursor to its original position if shifted. The contents of DDRAM are not changed. |
| Entry mode Set | L | L | L | L | L | L | L | H | I/D | SH | 37us | Sets cursor move direction and specifies display shift. These operations are performed during data write and read. |
| Display on/off control | L | L | L | L | L | L | H | D | C | B | 37us | D=1:entire display on C=1:cursor on B=1:cursor position on |
| Cursor or Display Shift | L | L | L | L | L | H | S/C | R/L | --- | --- | 37us | Set cursor moving and display shift control bit, and the direction, without changing DDRAM data. |
| function Set | L | L | L | L | H | DL | N | F | --- | --- | 37us | DL:interface data is 8/4 bits N:number of line is 2/1 F:font size is 5x11/5x8 37 us |
| Set CGRAM address | L | L | L | H | AC5 | AC4 | AC3 | AC2 | AC1 | AC0 | 37us | Set CGRAM address in address counter |
| Set DDRAM address | L | L | H | AC6 | AC5 | AC4 | AC3 | AC2 | AC1 | AC0 | 37us | Set DDRAM address in address counter |
| Read busy flag& address | L | H | BF | AC6 | AC5 | AC4 | AC3 | AC2 | AC1 | AC0 | 0us | Whether during internal operation or not can be known by reading BF. The contents of address counter can also be read. |
| Write data to RAM | H | L | D7 | D6 | D5 | D4 | D3 | D2 | D1 | D0 | 37us | Write data into internal RAM (DDRAM/CGRAM) 37 us |
| Read data from RAM | H | H | D7 | D6 | D5 | D4 | D3 | D2 | D1 | D0 | 37us | Read data from internal RAM (DDRAM/CGRAM) 37 us |

Note:

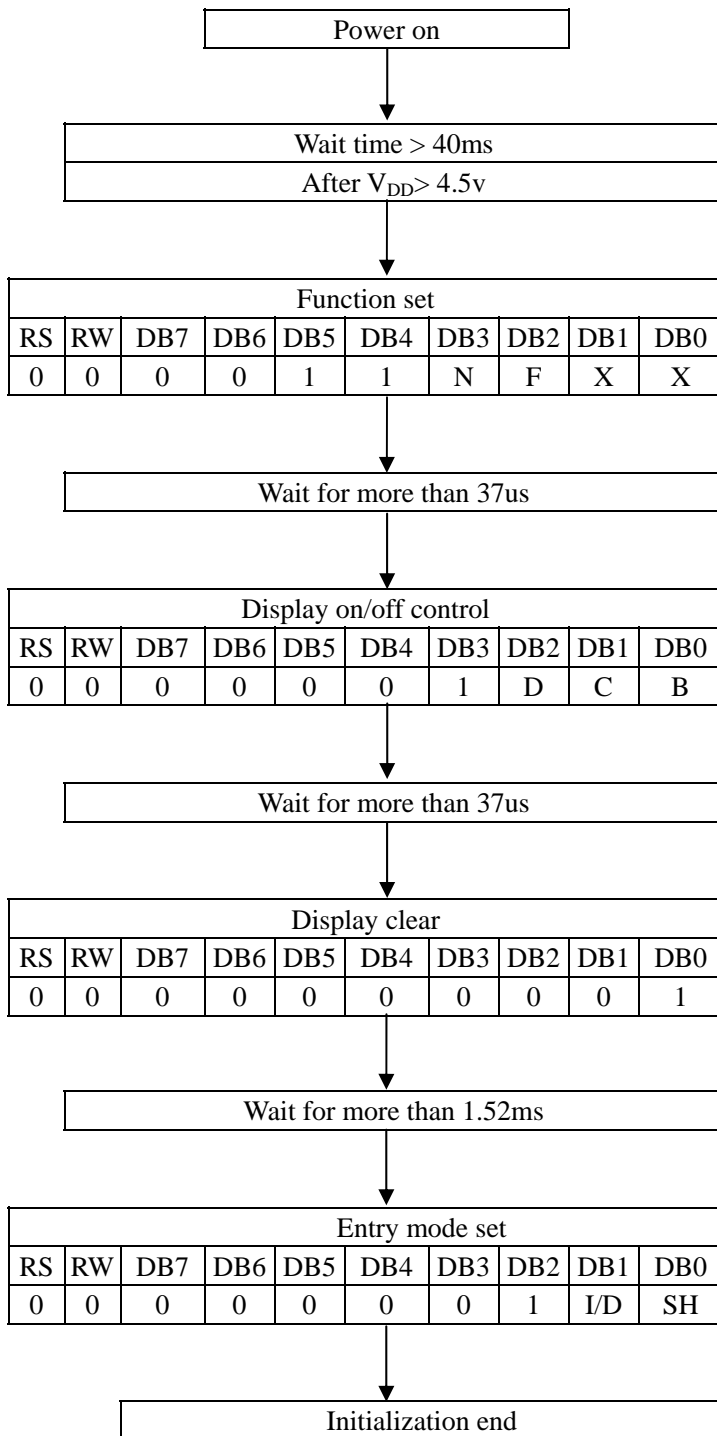
Be sure the ST7066U is not in the busy state(BF=0) before sending an instruction from the MPU to the ST7066U. If an instruction is sent without checking the busy flag, the time between the first instruction and next instruction will take much longer than the instruction time itself. Refer to Instruction Table for the list of each instruction execution time.

12. STANDARD CHARACTER PATTERN (ST7066-0A)

| Upper(4bit) Lower(4bit) | LLLL | LLLH | LLHL | LLHH | LHLL | LHLH | LHHL | LHHH | HLLL | HLLH | HLHL | HLHH | HHLL | HHLH | HHHL | HHHH |
|----------------------------|------|------|------|------|------|------|------|------|------|------|------|------|------|------|------|------|
| LLLL CG RAM (1) | | | | | | | | | | | | | | | | |
| LLLH (2) | | | | | | | | | | | | | | | | |
| LLHL (3) | | | | | | | | | | | | | | | | |
| LLHH (4) | | | | | | | | | | | | | | | | |
| LHLL (5) | | | | | | | | | | | | | | | | |
| LHLH (6) | | | | | | | | | | | | | | | | |
| LHHL (7) | | | | | | | | | | | | | | | | |
| LHHH (8) | | | | | | | | | | | | | | | | |
| HLLL (1) | | | | | | | | | | | | | | | | |
| HLLH (2) | | | | | | | | | | | | | | | | |
| HLHL (3) | | | | | | | | | | | | | | | | |
| HLHH (4) | | | | | | | | | | | | | | | | |
| HHLL (5) | | | | | | | | | | | | | | | | |
| HHLH (6) | | | | | | | | | | | | | | | | |
| HHHL (7) | | | | | | | | | | | | | | | | |
| HHHH (8) | | | | | | | | | | | | | | | | |

13. LCM INITIALIZING BY INSTRUCTION

13-1 8-bit interface mode



Condition : fosc=270khz

| | | |
|---|---|-------------|
| N | 0 | 1-line mode |
| | 1 | 2-line mode |

| | | |
|---|---|-------------|
| F | 0 | 5 x 8 dots |
| | 1 | 5 x 11 dots |

| | | |
|---|---|-------------|
| D | 0 | display off |
| | 1 | display on |

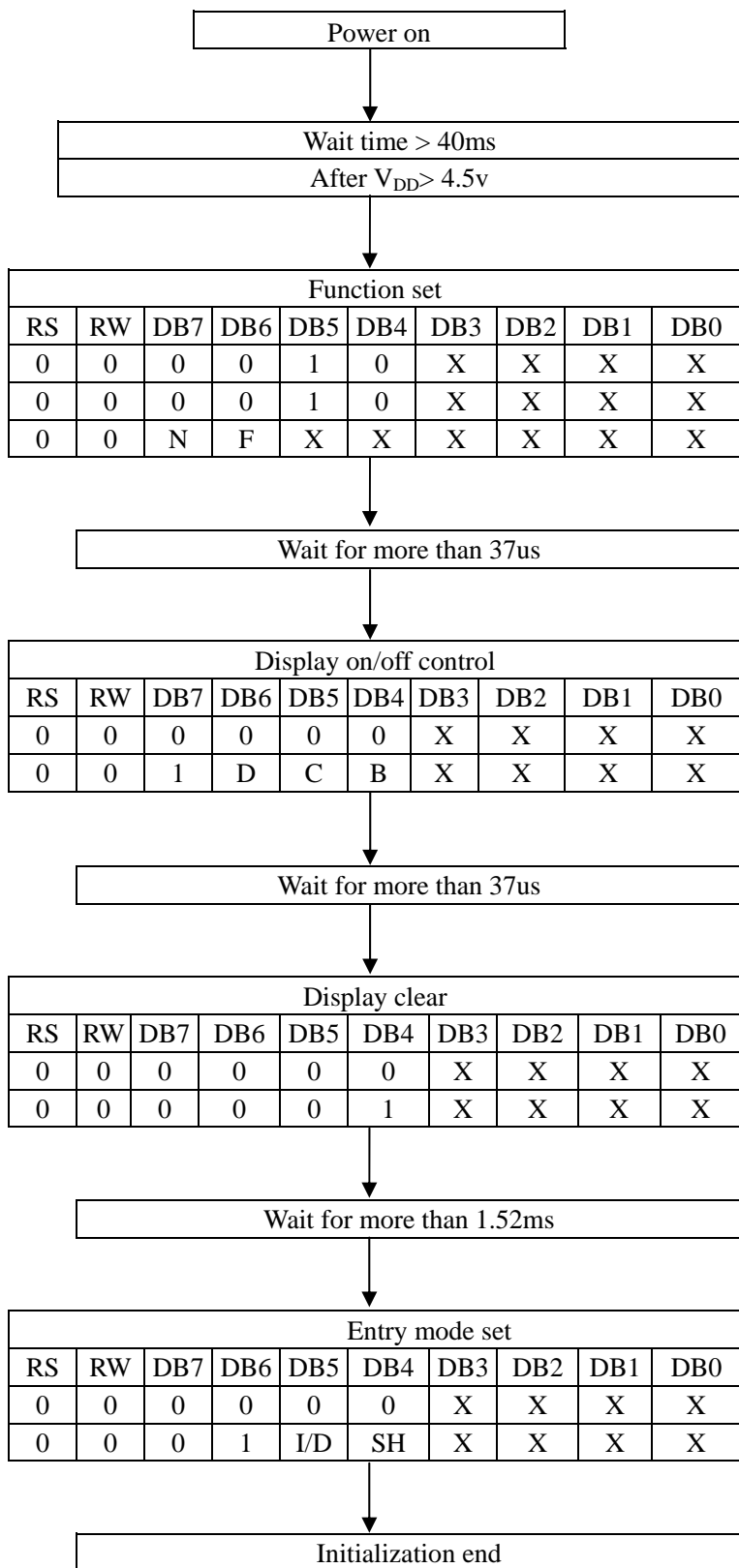
| | | |
|---|---|------------|
| C | 0 | cursor off |
| | 1 | cursor on |

| | | |
|---|---|-----------|
| B | 0 | blink off |
| | 1 | blink on |

| | | |
|-----|---|----------------|
| I/D | 0 | decrement mode |
| | 1 | increment mode |

| | | |
|----|---|------------------|
| SH | 0 | entire shift off |
| | 1 | entire shift on |

13-2 4-bit interface mode



Condition : fosc=270khz

| | | |
|---|---|-------------|
| N | 0 | 1-line mode |
| | 1 | 2-line mode |
| F | 0 | 5 x 8 dots |
| | 1 | 5 x 11 dots |

| | | |
|---|---|-------------|
| D | 0 | display off |
| | 1 | Display on |
| C | 0 | cursor off |
| | 1 | cursor on |
| B | 0 | blink off |
| | 1 | blink on |

| | | |
|-----|---|------------------|
| I/D | 0 | decrement mode |
| | 1 | increment mode |
| SH | 0 | entire shift off |
| | 1 | entire shift on |

14. LCD MODULES HANDLING PRECAUTIONS

- Please remove the protection foil of polarizer before using.
- The display panel is made of glass. Do not subject it to a mechanical shock by dropping it from a high place, etc.
- If the display panel is damaged and the liquid crystal substance inside it leaks out, do not get any in your mouth. If the substance comes into contact with your skin or clothes promptly wash it off using soap and water.
- Do not apply excessive force to the display surface or the adjoining areas since this may cause the color tone to vary.
- The polarizer covering the display surface of the LCD module is soft and easily scratched. Handle this polarizer carefully.
- To prevent destruction of the elements by static electricity, be careful to maintain an optimum work environment.
 - Be sure to ground the body when handling the LCD module.
 - Tools required for assembly, such as soldering irons, must be properly grounded.
 - To reduce the amount of static electricity generated, do not conduct assembly and other work under dry conditions.
 - The LCD module is coated with a film to protect the display surface. Exercise care when peeling off this protective film since static electricity may be generated.
- Storage precautions
When storing the LCD modules, avoid exposure to direct sunlight or to the light of fluorescent lamps. Keep the modules in bags designed to prevent static electricity charging under low temperature / normal humidity conditions (avoid high temperature / high humidity and low temperatures below 0°C). Whenever possible, the LCD modules should be stored in the same conditions in which they were shipped from our company.

15. OTHERS

- Liquid crystals solidify at low temperature (below the storage temperature range) leading to defective orientation of liquid crystal or the generation of air bubbles (black or white). Air bubbles may also be generated if the module is subjected to a strong shock at a low temperature.
- If the LCD modules have been operating for a long time showing the same display, patterns may remain on the screen as ghost images and a slight contrast irregularity may also appear. Abnormal operating status can be resumed to be normal condition by suspending use for some time. It should be noted that this phenomena does not adversely affect performance reliability.
- To minimize the performance degradation of the LCD modules resulting from caused by static electricity, etc. exercise care to avoid holding the following sections when handling the modules:
 - Exposed area of the printed circuit board
 - Terminal electrode sections

X-ON Electronics

Largest Supplier of Electrical and Electronic Components

Click to view similar products for [TFT Displays & Accessories](#) category:

Click to view products by [Display Elektronik](#) manufacturer:

Other Similar products are found below :

[OAI-80038AA-2013-A](#) [HDA430T-3G1H](#) [EA CARREDIPTFT02](#) [NL6448BC20-21D](#) [TM022HDHT11-00](#) [NB7W-KBA04](#) [NB-ATT01](#)
[NB5Q-ATT01](#) [NB5Q-KBA04](#) [NB-CN001](#) [NL12880BC20-05](#) [NL8060BC26-35C](#) [NL8060BC26-35F](#) [TCG104SVLQAPNN-AN20](#) [OAI-](#)
[80038AA-2008-A](#) [315-U004B15300](#) [UMSH-8596MD-34T \(REV D\)](#) [98-0003-3490-8](#) [1044278](#) [1029309](#) [1060549](#) [DE 127-TU-30/7,5](#) [DE](#)
[128-TU-20/7,5](#) [EP-LK007TFTPCAP](#) [FR7.0A00](#) [RC2002A-TIG-CSX](#) [NL6448BC2021C](#) [TX17D01VM2EAB](#) [TX14D23VM5BAA](#)
[TCG121WXLRXVNNANX35](#) [EIC-LCD-1080P](#) [T272480C07VR01](#) [1060632](#) [TCG070WVLPAANN-AN50](#) [TCG035QVLPDANN-GN50](#)
[1060630](#) [RFE430V-AIW-DNG](#) [T-55619GD065J-LW-ABN](#) [NHD-1.8-128160EF-SSXN-FT](#) [TCG104SVLPEANN-AN30](#) [NL6448BC33-70](#)
[NL192108BC18-06F](#) [NLB150XG02L-01](#) [NL6448BC20-30D](#) [NL10276BC16-06](#) [NL192108AC10-01D](#) [NL6448AC18-08F](#) [NL6448BC20-30F](#)
[NL12880BC20-05BD](#) [NL12880BC20-05D](#)