

DISPLAY Elektronik GmbH

DATA SHEET

LCD MODULE

DEM 240128D1 FGH-PW

Product Specification

Version: 2

03.04.2020

GENERAL SPECIFICATION

MODULE NO. :

DEM 240128D1 FGH-PW

CUSTOMER P/N :

Version No.	Change Description	Date
0	Original Version	10.08.2017
1	Change P/N	14.08.2017
2	Update DC Characteristics on Page 9	03.04.2020

PREPARED BY: YH

DATE: 03.04.2020

APPROVED BY: MH

DATE: 03.04.2020

DEM 240128D1 FGH-PWProduct Specification

CONTENTS

1. FUNCTIONS &FEATURES	2
2. MODULE ARTWORK.....	2
3. EXTERNAL DIMENSIONS	3
4. BLOCK DIAGRAM.....	4
5. PIN ASSIGNMENT.....	4
6. POWER SUPPLY.....	5
7.1 PCB DRAWING AND DESCRIPTION	6
7.2 EXAMPLE APPLICATION.....	7
8. ABSOLUTE MAXIMUM RATINGS	7
9. ELECTRICAL CHARACTERISTICS	8
10. COMMAND TABLE.....	10
11. BACKLIGHT ELECTRICAL/OPTICAL SPECIFICATIONS	12
12. PRECAUTION FOR USING LCM.....	13
13. QUALITY DESCRIPTION.....	15
14. MODULE ACCEPT QUALITY LEVEL (AQL)	16
15. RELIABILITY TEST	16
16. LCD MODULES HANDLING PRECAUTIONS.....	17
17. OTHERS	17

1. FUNCTIONS &FEATURES

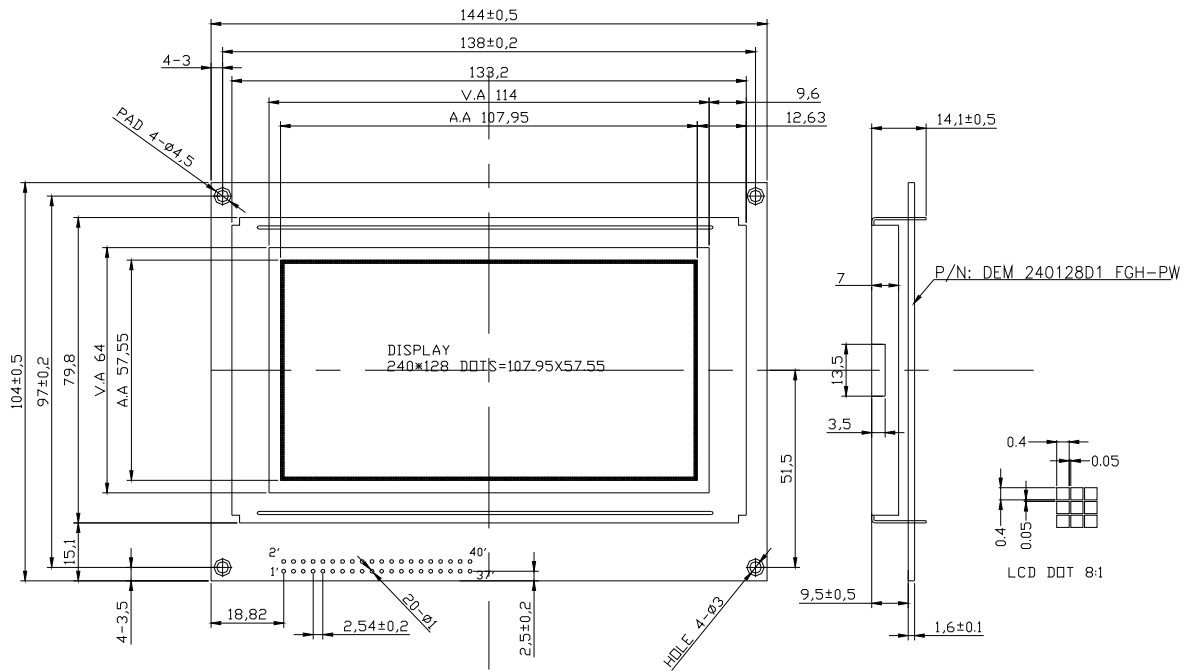
MODULE NAME	LCD Type
DEM 240128D1 FGH-PW	FSTN Transflective Positive Mode

I Glass Thickness	: 1.1mm
I Viewing Direction	: 6 O'clock
I Driving Scheme	: 1/128Duty, 1/12 Bias
I Power Supply for logic	: 5.0 Volt (typ.)
I Backlight Color	: LED, White
I Display Content	: 240 x 128 Dots
I V _{LCD}	: 20.0 Volt (typ.)
I Operation Temperature	: -20°C to +70°C
I Storage temperature	: -25°C to +75°C
I Driver IC	: NT7086
I Controller IC	: UCi6963

2. MODULE ARTWORK

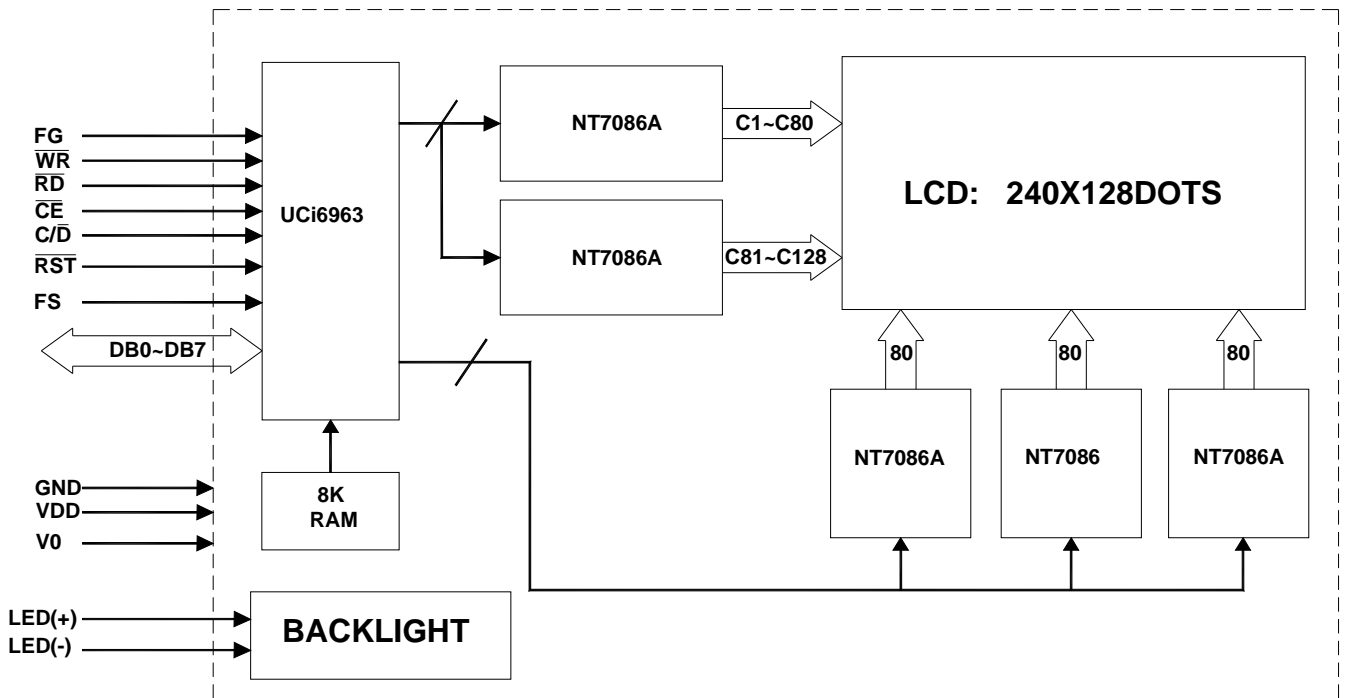
I Module Size	: 144.00 x 104.00 x 14.10 mm
I Viewing Area	: 114.00 x 64.00 mm
I Active Area	: 107.95 x 57.55 mm
I Dot Pitch	: 0.45 x 0.45 mm
I Dot Size	: 0.40 x 0.40 mm
I Dot Gap	: 0.05 mm

3. EXTERNAL DIMENSIONS



Remarks:
1, Unmarked Tolerance ± 0.30
2, All material comply with RoHs.

4. BLOCK DIAGRAM

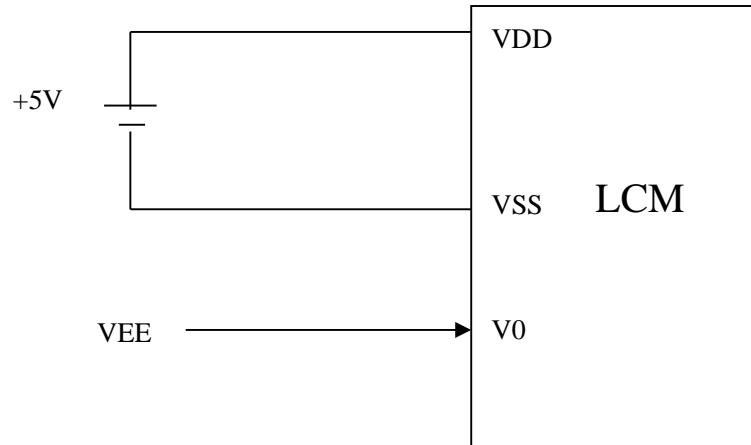


5. PIN ASSIGNMENT

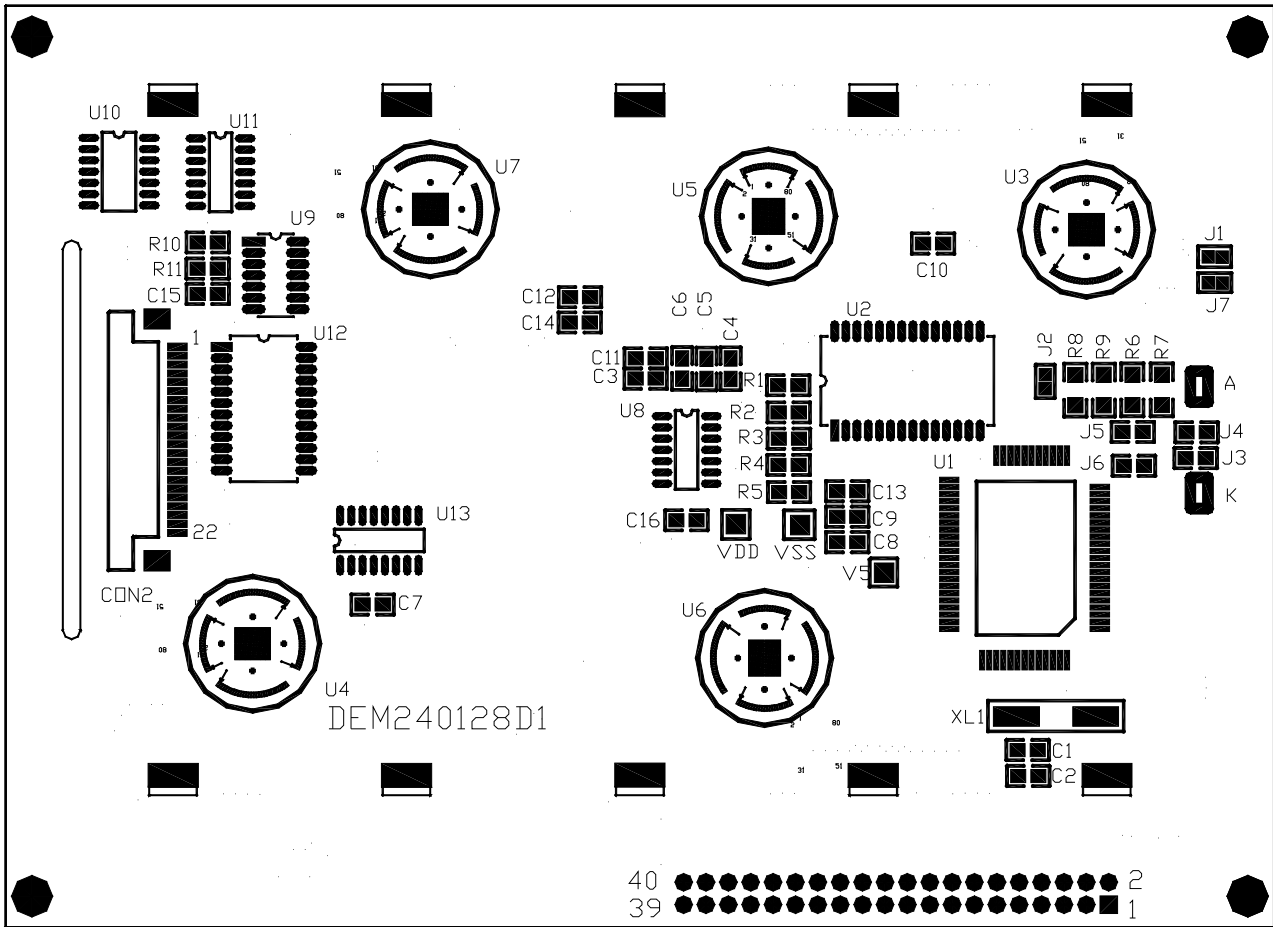
No.	Symbol	Function
1	FG	Frame ground (see note 1)
3	VSS	Ground (0V)
5	VDD	Power Supply(+5V)
7	V0	Power Supply for LCD Drive(-15V)
9	/WR	Data write. Write data to controller UCi6963 when “L”
11	/RD	Data read. Read data from controller UCi6963 when “L”
13	/CE	Chip enable of controller when “L”
15	C/ D	Command/Data read/write. “H” for command read/write and “L” for data read/write
17	/RST	Controller reset when “L”
19	DB0	Data input/output(LSB)
21	DB1	Data input/output
23	DB2	Data input/output
25	DB3	Data input/output
27	DB4	Data input/output
29	DB5	Data input/output
31	DB6	Data input/output
33	DB7	Data input/output(MSB)
35	FS	Font select. “H” for 6x8 font & “L” for 8x8 font
37	LED+(A)	Please refer to item 7.1 PCB drawing and description
39	LED-(K)	

Note: This pin is electrically connected to the metal bezel (frame), but, is otherwise not connected. User can choose to connect this pin to ground or leave it open.

6. POWER SUPPLY



7.1 PCB DRAWING AND DESCRIPTION



DESCRIPTION:

7-1-1. The polarity of the pin 37 and the pin 39:

J3, J5	J6, J4	LED Polarity	
		37 Pin	39 Pin
Each open	Each closed	Anode	Cathode
Each closed	Each open	Cathode	Anode

Note: In application module, J3=J5 = open, J4=J6= closed

7-1-2. The J1 is metal-bezel GND to module GND and J7 is mounting holes GND to module GND.

Note: In application module, J1= J7=closed,

7-1-3. The LED resistor should be bridged when J2 is closed

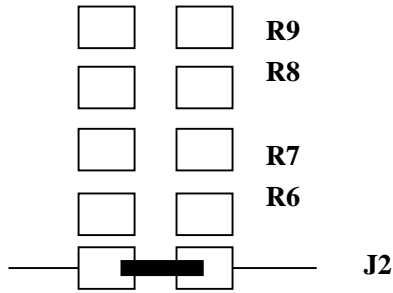
Note: In application module, J2=open

7-1-4. The R6 and the R7, R8, R9 are the LED resistor.

Note: In application module, R6=R7= open, R8=R9=82 Ohm;

7.2 EXAMPLE APPLICATION

7-2-1. The LED resistor should be bridged as following.



7-2-2. The 37 pin is the anode and the 39 pin is the cathode as following.



7-2-3. The 37 pin is the cathode and the 39 pin is the anode as following.



7-2-4. The metal-bezel is on ground as following.



7-2-5. The holes is on ground as following



8. ABSOLUTE MAXIMUM RATINGS (V_{SS}=0V, T_a=25°C)

Parameter	Symbol	Rating	Unit
Supply Voltage (Logic)	V _{DD}	-0.3 to 7.0	V
Input Voltage	V _{IN}	-0.3 to V _{DD} +0.3	V
Operating Temperature	T _{opr}	-20 to +70	°C
Storage Temperature	T _{stg}	-25 to +75	°C

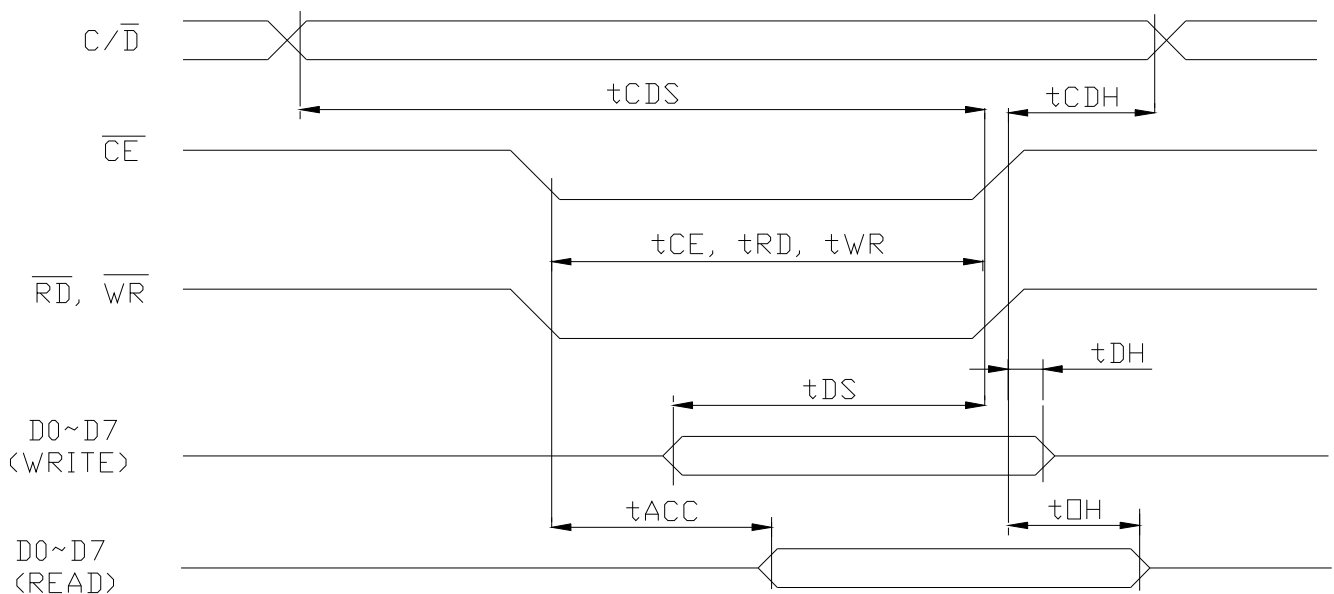
9. ELECTRICAL CHARACTERISTICS

9.1 DC Characteristics

Parameter	Symbol	Conditions	Min.	Typ.	Max.	Units
Supply Voltage (Logic)	V_{DD}	-	4.7	5.0	5.3	V
High Level Input Voltage	V_{IH}	-	$0.8V_{DD}$	-	V_{DD}	V
Low Level Input Voltage	V_{IL}	-	0	-	$0.2 V_{DD}$	V
High Level Output Voltage	V_{OH}		$V_{DD}-0.3$	-	V_{DD}	V
Low Level Output Voltage	V_{OL}		0	-	0.3	V
Current Consumption(Operating) 1	$I_{DD(1)}$	$V_{DD}=5.0V$ $f_{OSC} = 4.0 MHz$ Display Graphic	-	3.0	5	mA
Current Consumption(Halt) 2	$I_{DD(2)}$	$V_{DD}=5.0V$		1	2	μA
Current Consumption(Operating) 3	I_0	Pin V0, Display Graphic,		0.8	2.5	mA

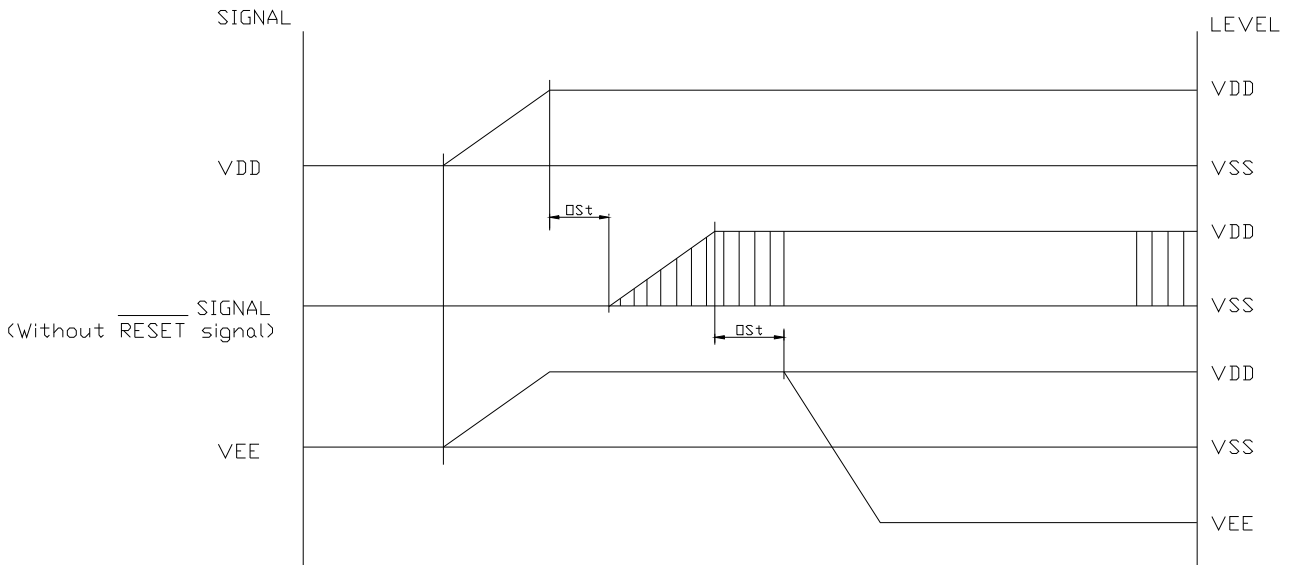
9.2 AC Characteristics

Parameter	Symbol	Min.	Max.	Units
C/D Setup Time	t_{CDS}	100	-	ns
C/D Hold Time	t_{CDH}	10	-	ns
CE, RD, WR Pulse Width	t_{CE}, t_{RD}, t_{WR}	80	-	ns
Data Setup Time	t_{DS}	80	-	ns
Data Hold Time	t_{DH}	40	-	ns
Access Time	t_{ACC}	-	150	ns
Output Hold Time	t_{OH}	10	50	ns

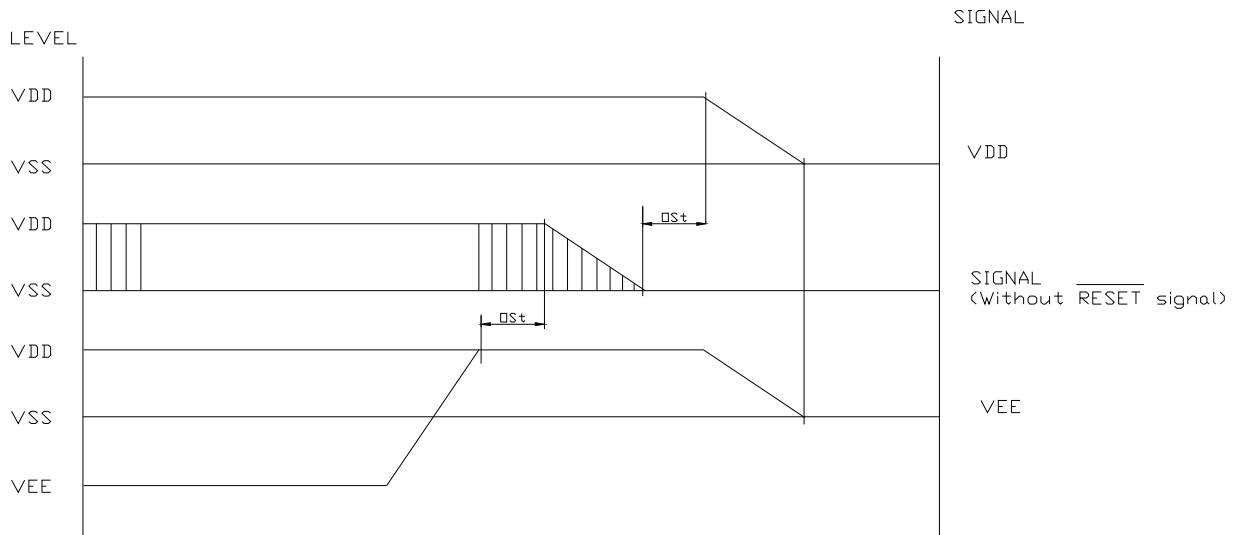


9.3 Power Supply ON/OFF Sequence

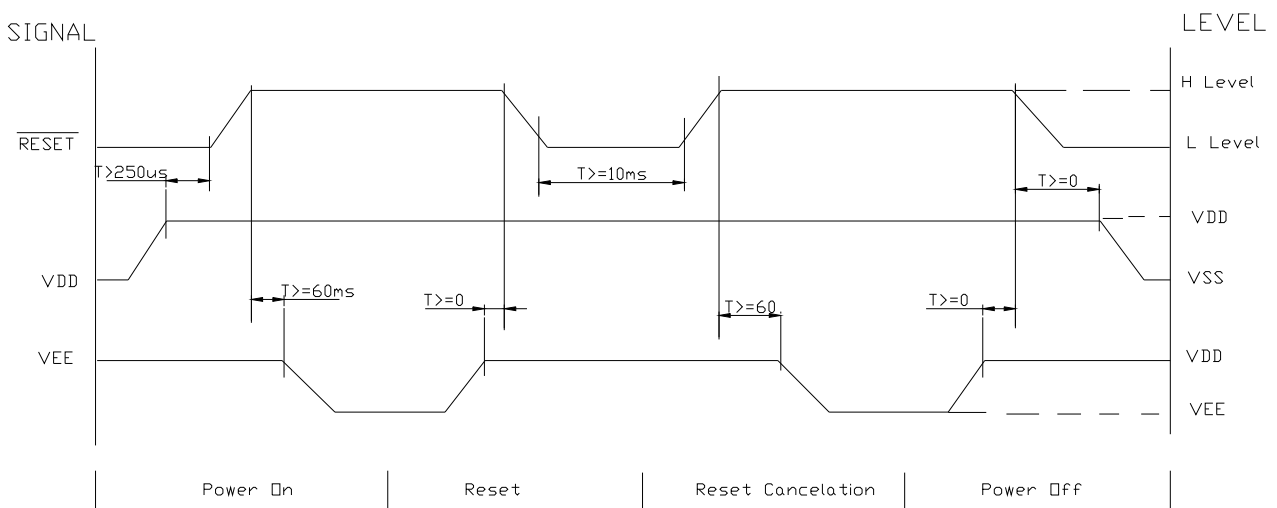
I ON Sequence



OFF Sequence



I Reset Sequence



Please maintain the above sequence when turning on and off the power supply of the module.

If VEE is supplied to the module while internal alternate signal for LCD driving (M) is unstable or RESET is active, DC component will be supplied to the LCD panel. This may cause damage to the LCD module.

10. COMMAND TABLE

C/D: 1: Command / 0: Data

W/R: 0: Write Cycle / 1: Read Cycle

D7-D0: -: Don't Care / #: Valid data

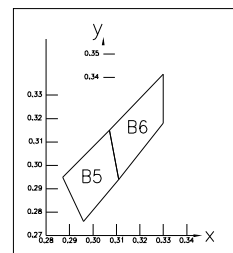
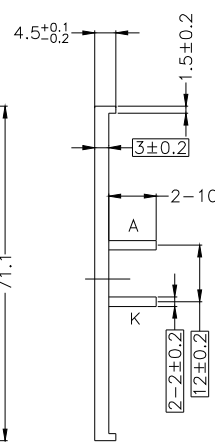
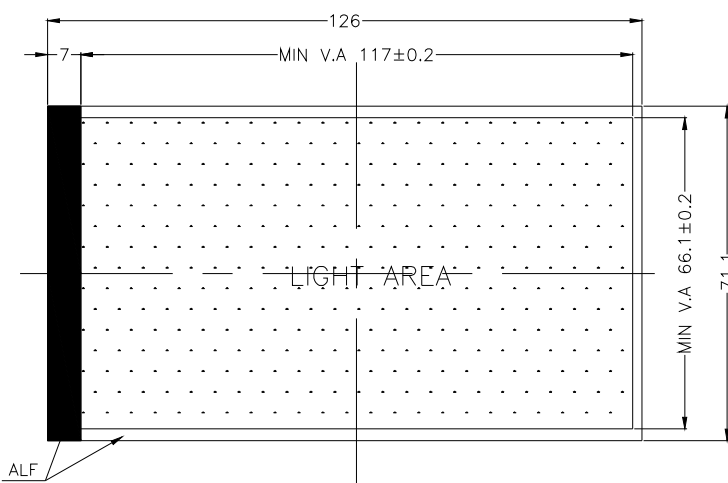
No.	Command	C/D	W/R	D7	D6	D5	D4	D3	D2	D1	D0	Action	Value
1.	Set Cursor Pointer	1	0	0	0	1	0	0	0	0	1		21h
		0	0	#	#	#	#	#	#	#	#	Set X address	
		0	0	#	#	#	#	#	#	#	#	Set Y address	
2.	Set Offset Register	1	0	0	0	1	0	0	0	1	0		22h
		0	0	#	#	#	#	#	#	#	#	Data	
		0	0	0	0	0	0	0	0	0	0		00h
3.	Set Address Pointer	1	0	0	0	1	0	0	1	0	0		24h
		0	0	#	#	#	#	#	#	#	#	Low address	
		0	0	#	#	#	#	#	#	#	#	High address	
4.	Set Text Home Addr.	1	0	0	1	0	0	0	0	0	0		40h
		0	0	#	#	#	#	#	#	#	#	Low address	
		0	0	#	#	#	#	#	#	#	#	High address	
5.	Set Text Area	1	0	0	1	0	0	0	0	0	1		41h
		0	0	#	#	#	#	#	#	#	#	Columns	
		0	0	0	0	0	0	0	0	0	0		
6.	Set Graphic Home Addr.	1	0	0	1	0	0	0	0	1	0		42h
		0	0	#	#	#	#	#	#	#	#	Low address	
		0	0	#	#	#	#	#	#	#	#	High address	
7.	Set Graphic Area	1	0	0	1	0	0	0	0	1	1		43h
		0	0	#	#	#	#	#	#	#	#	Columns	
		0	0	0	0	0	0	0	0	0	0		
8.	OR mode	1	0	1	0	0	0	-	0	0	0		8xh
9.	EXOR mode	1	0	1	0	0	0	-	0	0	1		
10.	AND mode	1	0	1	0	0	0	-	0	1	1		
11.	Text Attribute mode	1	0	1	0	0	0	-	1	0	0		
		0	0	-	-	-	-	#	#	#	#		
12.	Internal CG ROM mode	1	0	1	0	0	0	0	-	-	-		
13.	External CG RAM mode	1	0	1	0	0	0	1	-	-	-		
14.	Display Mode	1	0	1	0	0	1	#	#	#	#	Switch Graphic/Text/Cursor/Blink ON/OFF	9xh
15.	Cursor Pattern Select	1	0	1	0	1	0	0	#	#	#	Set cursor: 1~8-line	Axh
16.	Data-write and Increase ADP	1	0	1	1	0	0	0	0	0	0		C0h
		0	0	#	#	#	#	#	#	#	#	Data	
17.	Data-read and Increase ADP	1	1	1	1	0	0	0	0	0	1		C1h
18.	Data-write and Decrease ADP	1	0	1	1	0	0	0	0	1	0		C2h
		0	0	#	#	#	#	#	#	#	#	Data	
19.	Data-read and Decrease ADP	1	1	1	1	0	0	0	0	1	1		C3h
20.	Data-write and Non-variable ADP	1	0	1	1	0	0	0	1	0	0		C4h
		0	0	#	#	#	#	#	#	#	#	Data	
21.	Data-read and Non-variable ADP	1	1	1	1	0	0	0	1	0	1		C5h
22.	Set Data Auto Write	1	0	1	0	1	1	0	0	0	0		B0h
23.	Set Data Auto Read	1	0	1	0	1	1	0	0	0	1		B1h
24.	Auto Reset	1	0	1	0	1	1	0	0	1	0		B2h
25.	Screen Peek	1	0	1	1	1	0	0	0	0	0		E0h
26.	Screen Copy	1	0	1	1	1	0	1	0	0	0		E8h
27.	Bit Set/Reset	1	0	1	1	1	1	#	#	#	#	Set/Reset Bit 0~7	Fxh
28.	Whole Screen Reverse (Triple-byte command)	1	0	1	1	0	1	0	0	0	0		D0h
		0	0	-	-	-	-	-	-	-	#	0: Normal 1: Reverse	
		0	0	-	-	-	-	-	-	-	-	(Don't Care)	

No.	Command	C/D	W/R	D7	D6	D5	D4	D3	D2	D1	D0	Action	Value
29.	Blink Time (Triple-byte command)	1	0	0	1	0	1	0	0	0	0		50h
		0	0	-	-	-	-	-	#	#	#	000b: 0.066s 100b: 1s 001b: 0.25s 101b: 1.25s 010b: 0.5s 110b: 1.5s 011b: 1.75s 111b: 2s	010b
		0	0	-	-	-	-	-	-	-	-	-	(Don't Care)
30.	Cursor Auto Moving (Triple-byte command)	1	0	0	1	1	0	0	0	0	0		60h
		0	0	-	-	-	-	-	-	-	#	0: disable 1: enable	
		0	0	-	-	-	-	-	-	-	-	-	(Don't Care)
31.	CGROM Font Select (Triple-byte command)	1	0	0	1	1	1	0	0	0	0		70h
		0	0	-	-	-	-	-	-	#	#	00b: Don't care 01b: Don't care 10b: CGROM Font-01 11b: CGROM Font-02	
		0	0	-	-	-	-	-	-	-	-	-	(Don't Care)

11. BACKLIGHT ELECTRICAL/OPTICAL SPECIFICATIONS

ELECTRICAL-OPTICAL CHARACTERISTICS

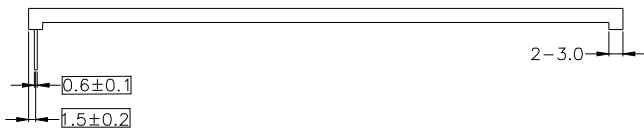
Item	Symbol	min.	typ.	max.	Unit	Condition
Forward Voltage	Vf	2.9	3.2	3.4	V	If= 45 mA
Reverse Current	Ir		30		μA	Vr= 0.8 V
Luminance	Lv	165	220		cd/m ²	If= 45 mA



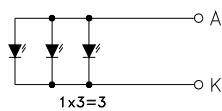
CHROMATICS COORDINATES

x	0.296	0.287	0.330	0.330
y	0.276	0.295	0.339	0.318

TOLERANCE IS ±0.01



- Remarks:
 1. Unmarked tolerance is ±0.3
 2. Color: white
 3. All materials comply with RoHs



12. PRECAUTION FOR USING LCM**1. LIQUID CRYSTAL DISPLAY (LCD)**

LCD is made up of glass, organic sealant, organic fluid, and polymer based polarizer. The following precautions should be taken when handling,

- (1). Keep the temperature within range of use and storage. Excessive temperature and humidity could cause polarization degradation, polarizer peel off or bubble.
- (2). Do not contact the exposed polarizer with anything harder than an HB pencil lead. To clean dust off the display surface, wipe gently with cotton, chamois or other soft material soaked in petroleum benzine.
- (3). Wipe off saliva or water drops immediately. Contact with water over a long period of time may cause polarizer deformation or color fading, while an active LCD with water condensation on its surface will cause corrosion of ITO electrodes.
- (4). Glass can be easily chipped or cracked from rough handling, especially at corners and edges.
- (5). Do not drive LCD with DC voltage.

2. Liquid Crystal Display modules**2.1 Mechanical considerations**

LCM are assembled and adjusted with a high degree of precision. Avoid excessive shocks and do not make any alterations or modifications. The following should be noted.

- (1). Do not tamper in any way with the tabs on the metal frame
- (2). Do not modify the PCB by drilling extra holes, changing its outline, moving its components or modifying its pattern.
- (3). Do not touch the elastomer connector, especially insert an backlight panel (for example, EL).
- (4). When mounting a LCM make sure that the PCB is not under any stress such as bending or twisting. Elastomer contacts are very delicate and missing pixels could result from slight dislocation of any of the elements.
- (5). Avoid pressing on the metal bezel, otherwise the elastomer connector could be deformed and lose contact, resulting in missing pixels.

2.2. Static Electricity

LCM contains CMOS LSI's and the same precaution for such devices should apply, namely

- (1). The operator should be grounded whenever he/she comes into contact with the module. Never touch any of the conductive parts such as the LSI pads, the copper leads on the PCB and the interface terminals with any parts of the human body.
- (2). The modules should be kept in antistatic bags or other containers resistant to static for storage.
- (3). Only properly grounded soldering irons should be used.
- (4). If an electric screwdriver is used, it should be well grounded and shielded from commutator sparks.
- (5). The normal static prevention measures should be observed for work clothes and working benches; for the latter conductive (rubber) mat is recommended.
- (6). Since dry air is inductive to static, a relative humidity of 50-60% is recommended.

2.3. Soldering

- (1). Solder only to the I/O terminals.
- (2). use only soldering irons with proper grounding and no leakage.
- (3). Soldering temperature: $280^{\circ}\text{C} \pm 10^{\circ}\text{C}$
- (4). Soldering time: 3 to sec.
- (5). Use eutectic solder with resin flux fill.
- (6). If flux is used, the LCD surface should be covered to avoid flux spatters. Flux residue should be removed afterwards.

2.4 Operation

- (1). The viewing angle can be adjusted by varying the LCD driving voltage V0.
- (2). Driving voltage should be kept within specified range; excess voltage shortens display life.
- (3). Response time increases with decrease in temperature.
- (4). Display may turn black or dark blue at temperatures above its operational range; this is (however not pressing on the viewing area) may cause the segments to appear “fractured”.
- (5). Mechanical disturbance during operation (such as pressing on the viewing area) may cause the segments to appear “fractured”.

2.5 Storage

If any fluid leaks out of a damaged glass cell, wash off any human part that comes into contact with soap and water. Never swallow the fluid. The toxicity is extremely low but caution should be exercised at all the time.

2.6 Limited Warranty

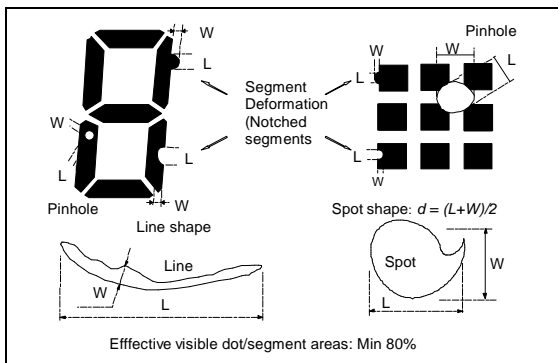
Unless otherwise agreed between DISPLAY and customer, DISPLAY will replace or repair any of its LCD and LCM which is found to be defective electrically and visually when inspected in accordance with DISPLAY acceptance standards, for a period on one year from date of shipment. Confirmation of such date shall be based on freight documents. The warranty liability of DISPLAY is limited to repair and/or replacement on the terms set forth above. DISPLAY will not responsible for any subsequent or consequential events.

13. QUALITY DESCRIPTION

DEFECT SPECIFICATION:

Specific type-related items are covered in this sheet.

- a: Table for Cosmetic defects
 (Note: nc = not counted).
 Sizes and number of defects
 (Max. Qty)



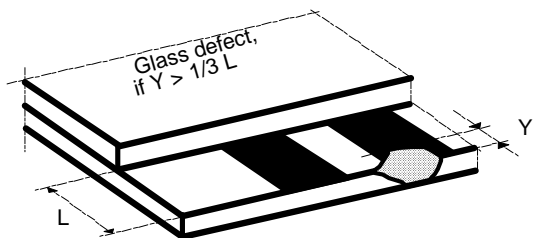
Shapes

- b: Glass defects
 b1: Glass defects at contact ledge

b2: Glass chipping in other areas shall not be in conflict with the product's function.

Defect Type	Max. defect size [μm] d or L W	Max. Quantity
Black or White Spots	$d \leq 150$	nc
	$150 < d \leq 300$	3
Black or White Lines	-- $W \leq 10$	nc
	$L \leq 5000$ $W \leq 30$	3
	$L \leq 2000$ $W \leq 50$	2
Pinhole	$d \leq 150$	nc
	$150 < d \leq 300$	1/segment
(Total defects)		(5)
Segment Deformation	$W \leq 100$	nc
Bubble (e.g. under pola)	$d \leq 150$	nc
	$200 < d \leq 400$	3
	$400 < d \leq 600$	1

Examples/



14. MODULE ACCEPT QUALITY LEVEL (AQL)

14.1. AQL standard value: Critical defect =0.1, Major defect=0.65; Minor defect =2.5.

14.2. Inspection Standard: MIL-STD-105E Table Normal Inspection Single Sampling Level II.

15. RELIABILITY TEST

Operating life time: 50,000 hours

(at room temperature without direct irradiation of sunlight)

Reliability characteristics shall meet following requirements.

Tests Item	Condition
High temperature storage	+75°C x 96 hrs
Low temperature storage	-25°C x 96 hrs
High temperature operation	+70°C x 96 hrs
Low temperature operation	-20°C x 96 hrs
High temperature, High humidity	+60°C x 90%RH x 96 hrs
Thermal shock	-20°C x 30min à 25°C x 10s à +70°C x 30 min x 5 cycles
Vibration test	Frequency x Swing x Time 40Hz x 4mm x 4hrs
Drop test	Height x no. of drop 1.0m x 6 drops

16. LCD MODULES HANDLING PRECAUTIONS

- n Please remove the protection foil of polarizer before using.
- n The display panel is made of glass. Do not subject it to a mechanical shock by dropping it from a high place, etc.

- n If the display panel is damaged and the liquid crystal substance inside it leaks out, do not get any in your mouth. If the substance come into contact with your skin or clothes promptly wash it off using soap and water.

- n Do not apply excessive force to the display surface or the adjoining areas since this may cause the color tone to vary.

- n The polarizer covering the display surface of the LCD module is soft and easily scratched. Handle this polarize carefully.

- n To prevent destruction of the elements by static electricity, be careful to maintain an optimum work environment.
 - Be sure to ground the body when handling the LCD module.
 - Tools required for assembly, such as soldering irons, must be properly grounded.
 - To reduce the amount of static electricity generated, do not conduct assembly and other work under dry conditions.
 - The LCD module is coated with a film to protect the display surface. Exercise care when peeling off this protective film since static electricity may be generated.

- n Storage precautions
When storing the LCD modules, avoid exposure to direct sunlight or to the light of fluorescent lamps. Keep the modules in bags designed to prevent static electricity charging under low temperature / normal humidity conditions (avoid high temperature / high humidity and low temperatures below 0°C).Whenever possible, the LCD modules should be stored in the same conditions in which they were shipped from our company.

17. OTHERS

- n Liquid crystals solidify at low temperature (below the storage temperature range) leading to defective orientation of liquid crystal or the generation of air bubbles (black or white). Air bubbles may also be generated if the module is subjected to a strong shock at a low temperature.

- n If the LCD modules have been operating for a long time showing the same display patterns may remain on the screen as ghost images and a slight contrast irregularity may also appear. Abnormal operating status can be resumed to be normal condition by suspending use for some time. It should be noted that this phenomena does not adversely affect performance reliability.

- n To minimize the performance degradation of the LCD modules resulting from caused by static electricity, etc. exercise care to avoid holding the following sections when handling the modules:
 - Exposed area of the printed circuit board
 - Terminal electrode sections

X-ON Electronics

Largest Supplier of Electrical and Electronic Components

Click to view similar products for [LCD Graphic Display Modules & Accessories](#) category:

Click to view products by [Display Elektronik](#) manufacturer:

Other Similar products are found below :

[LCM-H12864GSFH-Y](#) [HG2G-V5FT22TF-W](#) [HG1G-4VT22TF-S](#) [PMB-1569](#) [PMB-1219](#) [DEM 128064E1 FGH-PW](#) [EA DIP205G-4NLED](#)
[DEM 128064E1 FGH](#) [EA DIP205B-6NLW](#) [RX320240F-FHW-V](#) [DEM 240128A1 FGH-PW](#) [RX1602N-LLW-TS](#) [PG12864WRF-KCN-H-Q](#)
[DEM 128064G1 FGH-PW](#) [EA DIP205J-4NLW](#) [VW3A1111](#) [DEM 128064E1 SBH-PW-N](#) [RG12864A-BIW-V](#) [RG12864A-GHC-V](#)
[RG12864A-GHY-V](#) [RG12864A-TIG-V](#) [RG12864A-YHY-X](#) [RG12864K-BIW-VBG](#) [RG24064A-BIW-V](#) [RG24064A-GHW-V](#) [RG320240A1-](#)
[BIW-V](#) [RG320240B-BIW-V](#) [RG320240B-FHW-V](#) [13892](#) [DEM 128064A SBH-PW-N](#) [DEM 128064B SBH-PW-N](#) [DEM 128064I FGH-PW](#)
[DEM 128064P SBH-PW-N](#) [DEM 128128D FGH-PW](#) [DEM 240064B FGH-PW](#) [DEM 320240B FGH-PW-N](#) [14972](#) [15867](#) [15868](#) [15932](#) [EA](#)
[W240-7KHLW](#) [16239](#) [RX240128A-TIW](#) [RX240160A-FHW](#) [NHD-12232WG-EYYH-V#A](#) [NHD-160128WG-BTGH-VZ#-1](#) [NHD-](#)
[240128WG-AFTI-VZ#C5](#) [NHD-320240WG-ATMI-TZ#](#) [17344](#) [18231](#)