



PRODUCT COUNTER-DRAWING APPROVAL SHEET

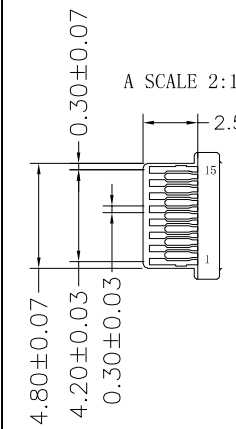
产品图纸确认书

Ordering Number 订购型号	UNC-MFGF814004-01	Customer name 客户名称	DISPLAY ELEKTRONIK GMBH				
Internal Part Number 内部型号	UNC-MFGF814004-01	Customer P/N 客户型号	DEM 240240C VMH-PW-N/U				
Counter-drawing number 图纸名称	DWG--MFGF814004-01-VERB	Customer project name 客户项目名称					
Counter-drawing revision 图纸版本	B	No Use of Prohibited Substances defined in SOP-E-QS-009 and Only purchase Designated Raw Materials from Green Partners. (不使用 SOP-E-QS-009 有害物质管控要求清单中禁止使用的物质; 指定原材料从绿色伙伴中购买)					
Counter-drawing revision date 图纸版本日期	2023-06-13						
Module type 模块类型	COG+FPC+BLU+PULL TAPE			<input checked="" type="checkbox"/> YES <input type="checkbox"/> NO			
Display type 显示类型	TFT(NORMAL BLACK)/TRANSMISSIVE			Customer Special Requirement:			
Module dimension (WxHxT), mm 模块尺寸	27.40*30.23*1.61mm (EXCLUDE FPC length)						
Number of dots 点阵个数	240 x R.G.B. x 240 DOTS						
Dot size (WxH), mm 点阵尺寸	0.105*0.105						
Display area (WxH), mm 显示区	25.2*25.2						
Viewing angle 视角	FREE						
Front polarizer type 表偏光片类型	Transmissive normal						
Back polarizer type 底偏光片类型	Transmissive normal						
Driver IC P/N 驱动 IC 型号	ST7789P3						
Interface connector type 界面连接类型	FPC						
Operating temperature 工作温度	-20 °C ~ 60 °C						
Storage temperature 存储温度	-30 °C ~ 70 °C						
Prepared by: 作成	HD Li	Checked by: 检查	 LN Xiong LCM Mechanical	Checked by: 审核	 YQ Song LCM Mechanical	Approved by: 批准	 SB Li R&D GM
Date/日期	2023-06-13		2023-06-13		2023-06-13		2023-06-13

Note: To shorten the prototype development leadtime, please return the signed drawing specification or any comments within 3 days.

CUSTOMER FEEDBACK INFORMATION/客户反馈信息		
CUSTOMER APPRAISE 客户评价	CUSTOMER'S REQUEST FOR CHANGES 客户要求改善意见	AUTOGRAPH 客户签字
<input type="checkbox"/> Drawing approved/图纸确认		
<input type="checkbox"/> Drawing not approved. Request for changes. 图纸不确认. 要求更改		

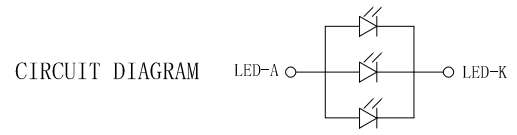
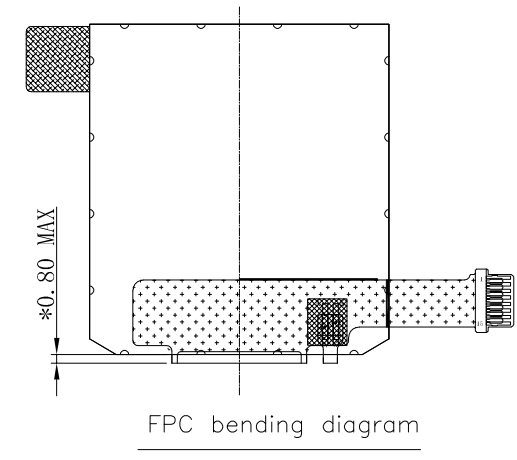
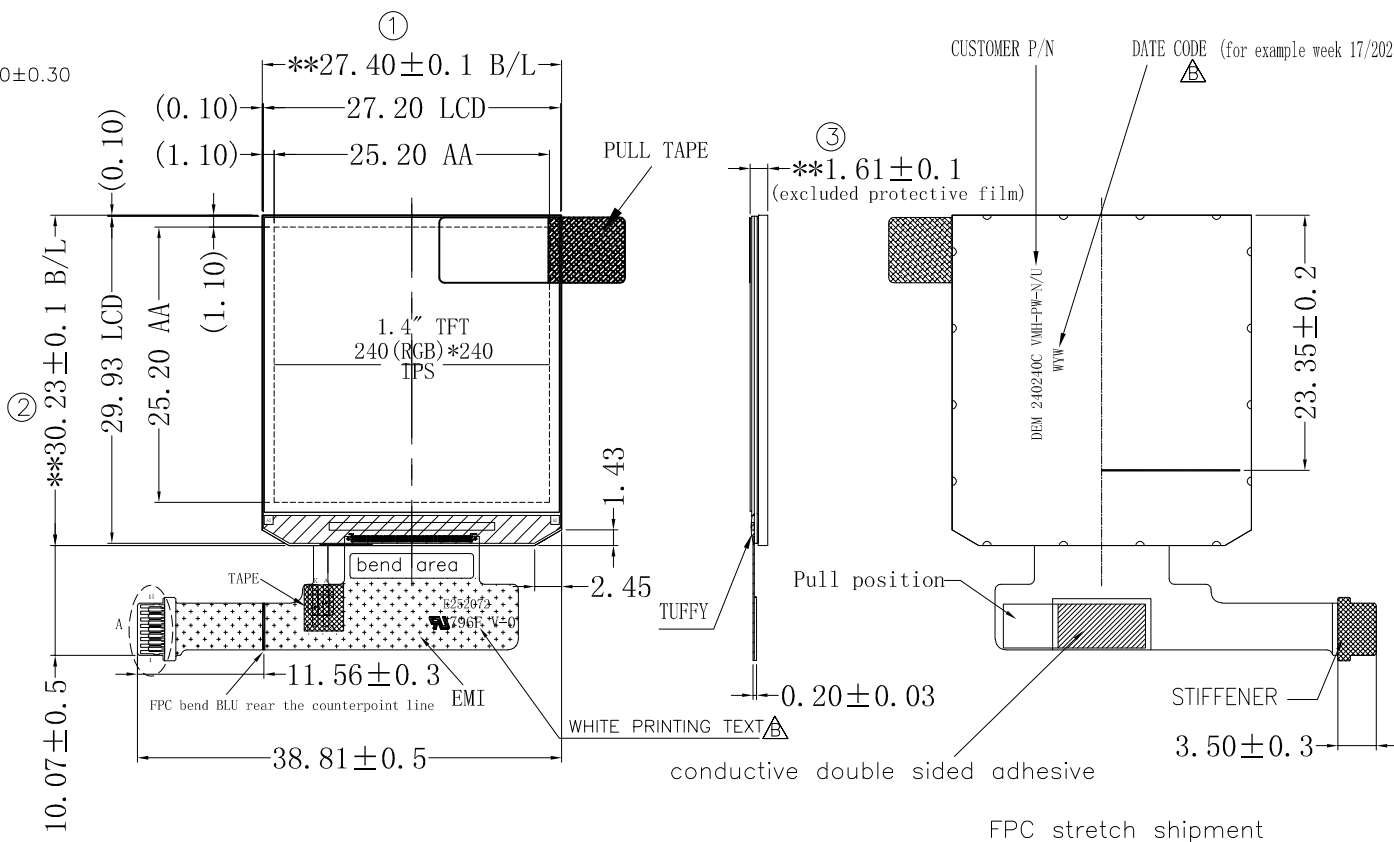
编号: F-RD-007-A0
保存期限: 产品失效期再加一个日历年



PIN ASSIGNMENT:

Pin	DESCRIPTION
1	GND
2	IOVCC1.8V
3	CS
4	RESET
5	RS
6	GND
7	SCL
8	SDA
9	GND
10	VDD2.8V
11	FMARK
12	LED-
13	LED-
14	LED+
15	LED+

NOTE:
 1. "◇"SPECIAL DIMENSION(PPK/CPK DATA NEEDED>1.67)
 2. "**"CONTROL DIMENSION
 3. No Use of Prohibited Substances defined in SOP-E-QS-009 and Only purchase Designated Raw Materials from Green Partners.
 4. DRIVER IC : ST7789P3;



FORWARD VOLTAGE: VF=3.2V(typ)
 FORWARD CURRENT:@IF=60mA
 BACKLIGHT TYPE: 3 CHIP WHITE LEDS
 LCM LUMINANCE: 550cd/m2 (typ)

QTN No.	VIEWING DIRECTION	FREF
CUSTOMER NAME	INTERFACE TYPE	4SP
CUSTOMER P/N	op	20°C ~ 60°C
	Tst	-30°C ~ 70°C

UNC-MFGF814004-01 Unicorn Electronic(ShenZhen)Co Ltd.

ADD WHITE PRINTING TEXT,CHANGE DATE CODE LHD 230613
 FIRST ISSUE LHD 230523
 REVISION RECORD REVISED by DATE

UNSPECIFIED TOLERANCE: ±0.2
 VERSION B
 DRAWING NO. DWG-MFGF814004-01-VERB

TFT MODULE DRAWING

UNIT: mm

APPR'D BY	DATE	CHECK BY	DATE	CHECK BY	DATE	DRAWING BY	DATE	PAGE
Binggo	230613	SYQ	230613	XLN	230613	LHD	230613	1-1

X-ON Electronics

Largest Supplier of Electrical and Electronic Components

Click to view similar products for [TFT Displays & Accessories](#) category:

Click to view products by [Display Elektronik](#) manufacturer:

Other Similar products are found below :

[OAI-80038AA-2013-A](#) [HDA430T-3G1H](#) [NB-ATT01](#) [TCG104SVLQAPNN-AN20](#) [OAI-80038AA-2008-A](#) [315-U004B15300](#) [EIC-LCD-1080P](#) [NL10276BC20-18C](#) [DEM 128160D](#) [TMH-PW-N](#) [RFE43BU-AIW-DNG](#) [EA WF050-40S](#) [EA WF050-40ST](#) [RFC350X-AWW-DNG](#) [RFS390E-AWW-DNN](#) [DEM 480272G2](#) [VMX-PW-N \(A-TOUCH\)](#) [PH800480T013-ICA](#) [DEM 1024600N](#) [VMX-PW-N \(C-TOUCH\)](#) [DEM 1024600P](#) [VMH-PW-N \(C-TOUCH\)](#) [SM-RVT50HQHNWCA0](#) [DEM 240280A](#) [VMH-PW-N](#) [DEM 170320A](#) [VMH-PW-N](#) [PH240320T068-LAB08](#) [DEM 800480T1](#) [TMH-PW-N](#) [PH128128T041-LAA07](#) [PH480272T005-IAC02](#) [DEM 1024600P](#) [VMH-PW-N \(A-TOUCH\)](#) [DEM 800480T1](#) [TMH-PW-N \(C-TOUCH\)](#) [DEM 800480Q4](#) [VMX-PW-N](#) [DEM 800480T1](#) [TMH-PW-N \(A-TOUCH\)](#) [PH320240T-023-I02Q](#) [PH128800T004-ZZA01](#) [RFE430W-1YW-DBS](#) [DEM 1024600N](#) [VMX-PW-N \(A-TOUCH\)](#) [PH240320T074-ZAA01](#) [DEM 480480D](#) [VMX-PW-N \(C-TOUCH\)](#) [SM-RVT50HQSNWN00](#) [SM-RVT50HQHNWC00](#) [PH800480T033-ICB01](#) [RFE430W-AWW-DNN](#) [DEM 096096A](#) [VMH-PW-N](#) [RL0F00050000FGAAASA01](#) [SM-RVT50HQSNWCA0](#) [SM-RVT50HQSNWC00-B](#) [PH320240T028-ZEA01](#) [RFE430W-1YW-DBN](#) [SM-RVT50HQHNWC00-B](#) [DEM 120240A](#) [VMH-PW-N](#) [DEM 268800A](#) [VMH-PW-N](#) [RFF700B4-AIW-DNS](#) [DEM 800480O1](#) [VMH-PW-N](#)