






# PRODUCT COUNTER-DRAWING APPROVAL SHEET

## 产品图纸确认书

Ordering Number 订购型号	UNC-MFGF817002-01	Customer name 客户名称	DISPLAY ELEKTRONIK GMBH				
Internal Part Number 内部型号	UNC-MFGF817002-01	Customer P/N 客户型号	DEM 240280B VMH-PW-N/U				
Counter-drawing number 图纸名称	DWG-MFGF817002-01-VERB	Customer project name 客户项目名称					
Counter-drawing revision 图纸版本	B	No Use of Prohibited Substances defined in SOP-E-QS-009 and Only purchase Designated Raw Materials from Green Partners. (不使用SOP-E-QS-009 有害物质管控要求清单中禁止使用的物质; 指定原材料从绿色伙伴中购买)  <input checked="" type="checkbox"/> YES <input type="checkbox"/> NO					
Counter-drawing revision date 图纸版本日期	2023-06-15						
Module type 模块类型	COG+FPC+BLU+PULL TAPE						
Display type 显示类型	TFT (NORMAL BLACK)/TRANSMISSIVE						
Module dimension (WxHxT), mm 模块尺寸	30.07 x 37.43 x 1.56mm (EXCLUDE FPC length)						
Number of dots 点阵个数	240 x R.G.B. x 280 DOTS						
Dot size (WxH), mm 点阵尺寸	0.1165 x 0.1165						
Display area (WxH), mm 显示区	27.97 x 32.63						
Viewing angle 视角	FREE						
Front polarizer type 表偏光片类型	Transmissive normal						
Back polarizer type 底偏光片类型	Transmissive normal						
Driver IC P/N 驱动 IC 型号	ST7789P3	Customer Special Requirement:					
Interface connector type 界面连接类型	FPC						
Operating temperature 工作温度	-20 °C ~ 70 °C						
Storage temperature 存储温度	-30 °C ~ 80 °C						
Prepared by: 作成	HD Li	Checked by: 检查		Checked by: 审核		Approved by: 批准	
Date/日期	2023-06-15		2023-06-15		2023-06-15		2023-06-15

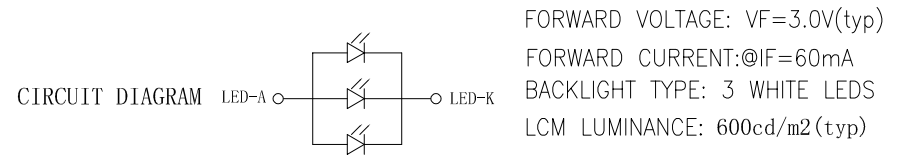
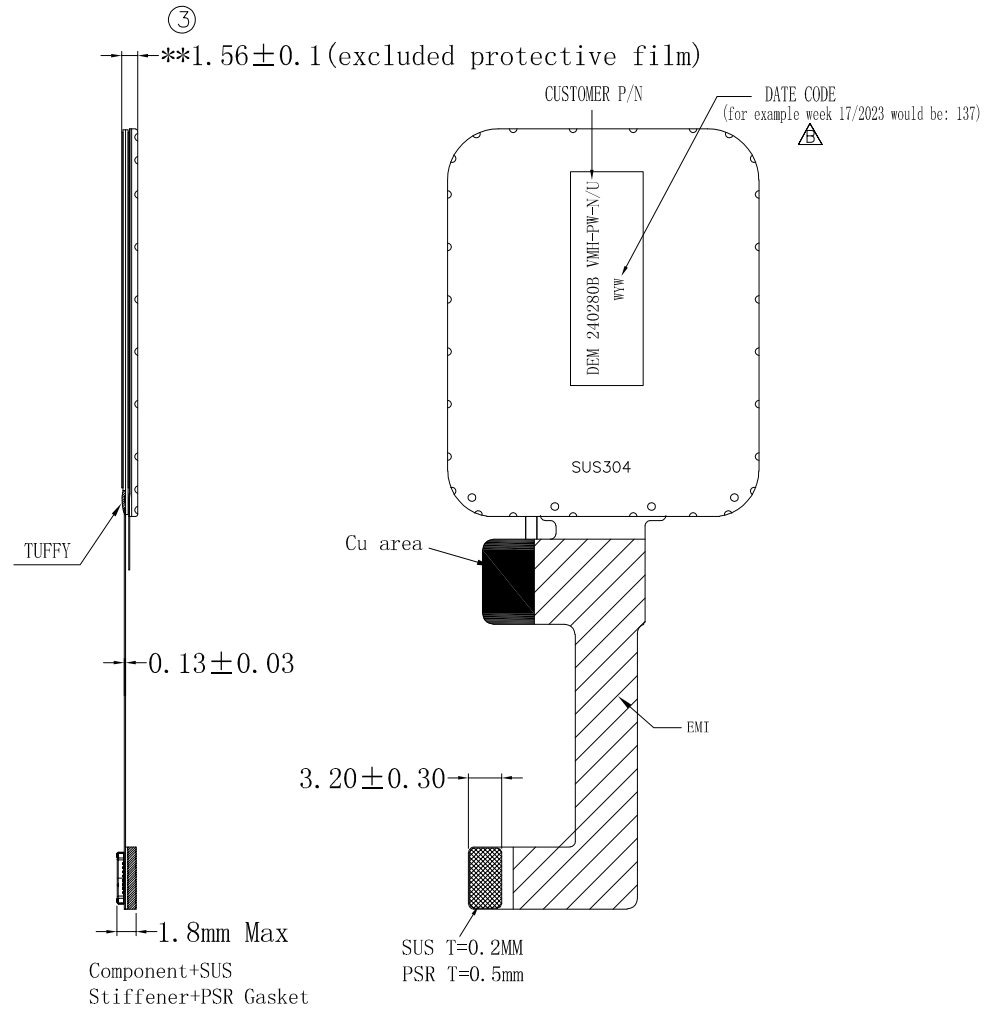
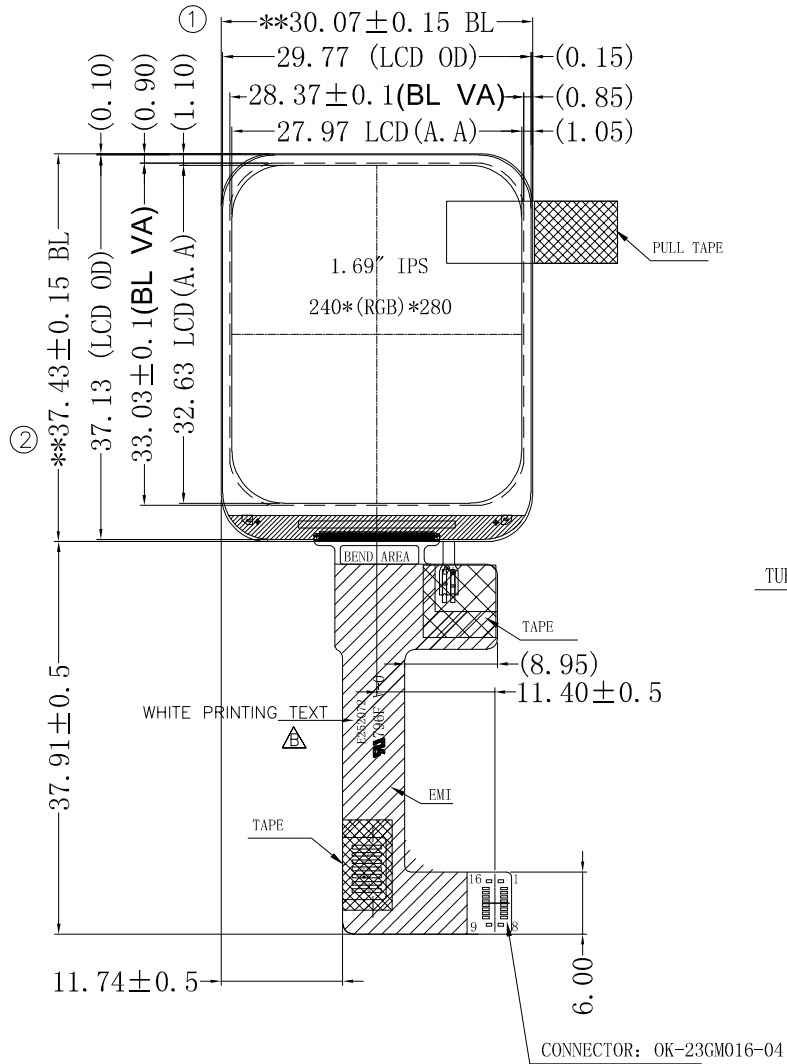
Note: To shorten the prototype development leadtime, please return the signed drawing specification or any comments within 3 days.

CUSTOMER FEEDBACK INFORMATION/客户反馈信息		
CUSTOMER APPRAISE 客户评价	CUSTOMER'S REQUEST FOR CHANGES 客户要求改善意见	AUTOGRAPH 客户签字
<input type="checkbox"/> Drawing approved/图纸确认  <input type="checkbox"/> Drawing not approved. Request for changes. 图纸不确认. 要求更改		

编号: F-RD-007-A0  
保存期限: 产品失效期再加一个日历年

**PIN ASSIGNMENT:**

No.	Pin Define
1	LCD_CLK
2	LCD_DC
3	LCD_SDA
4	LCD_CS
5	GND
6	NC(TP_SDA)
7	NC(TP_SCL)
8	NC(TP_RDY)
9	NC(TP_RESET)
10	LCD_TP_3V0
11	GND
12	LCD_RESET
13	LED_K
14	LCD_ID
15	LED_A
16	LCD_TE



NOTE:  
 1. "◇"SPECIAL DIMENSION(PPK/CPK DATA NEEDED>1.67)  
 2. "\*\*"CONTROL DIMENSION  
 3. No Use of Prohibited Substances defined in SOP-E-QS-009 and Only purchase Designated Raw Materials from Green Partners.  
 4. DRIVER IC : ST7789P3;

QTN No.	VIEWING DIRECTION	FREQ	UNC-MFGF817002-01 Unicorn Electronic(ShenZhen)Co Ltd.	
CUSTOMER NAME	DISPLAY ELEKTRONIK GMBH	4SP	UNSPECIFIED TOLERANCE: ±0.2	VERSION B
CUSTOMER P/N	DEM 240280B VMH-PW-N/U	20°C ~ 70°C	DWG-UNC-MFGF817002-01-VERB	TFT MODULE DRAWING
	op	-30°C ~ 80°C	DATE 230615	DATE 230615
	Tst		DRAWING BY LHD	DATE 230615
			APPR'D BY DAT	CHECK BY SYQ
			DATE 230615	DATE 230615
			CHECK BY XLN	DATE 230615
			DATE 230615	PAGE 1-1

## X-ON Electronics

Largest Supplier of Electrical and Electronic Components

*Click to view similar products for [TFT Displays & Accessories](#) category:*

*Click to view products by [Display Elektronik](#) manufacturer:*

Other Similar products are found below :

[OAI-80038AA-2013-A](#) [HDA430T-3G1H](#) [T-51750GD065J-LW-BGN](#) [NB-ATT01](#) [NL8060BC26-35C](#) [TCG104SVLQAPNN-AN20](#) [OAI-80038AA-2008-A](#) [315-U004B15300](#) [EIC-LCD-1080P](#) [NL10276BC20-18C](#) [NLB121XG01L-01](#) [DEM 128160D](#) [TMH-PW-N](#) [RFE43BU-AIW-DNG](#) [RFC350X-AWW-DNG](#) [RFS390E-AWW-DNN](#) [DEM 480272G2](#) [VMX-PW-N \(A-TOUCH\)](#) [PH800480T013-ICA](#) [DEM 1024600N](#) [VMX-PW-N \(C-TOUCH\)](#) [DEM 1024600P](#) [VMH-PW-N \(C-TOUCH\)](#) [SM-RVT50HQHNWCA0](#) [DEM 240280A](#) [VMH-PW-N](#) [DEM 170320A](#) [VMH-PW-N](#) [PH240320T068-LAB08](#) [DEM 800480T1](#) [TMH-PW-N](#) [PH128128T041-LAA07](#) [DEM 800480Q4](#) [VMX-PW-N \(A-TOUCH\)](#) [PH480272T005-IAC02](#) [DEM 1024600P](#) [VMH-PW-N \(A-TOUCH\)](#) [DEM 800480T1](#) [TMH-PW-N \(C-TOUCH\)](#) [DEM 800480Q4](#) [VMX-PW-N](#) [DEM 800480T1](#) [TMH-PW-N \(A-TOUCH\)](#) [PH320240T-023-I02Q](#) [PH128800T004-ZZA01](#) [RFE430W-1YW-DBS](#) [DEM 1024600N](#) [VMX-PW-N \(A-TOUCH\)](#) [PH240320T074-ZAA01](#) [DEM 480480D](#) [VMX-PW-N \(C-TOUCH\)](#) [SM-RVT50HQSNNWN00](#) [SM-RVT50HQHNWC00](#) [PH800480T033-ICB01](#) [RFE430W-AWW-DNN](#) [DEM 096096A](#) [VMH-PW-N](#) [RL0F00050000FGAAASA01](#) [PH320480T009-LAA01](#) [SM-RVT50HQSNNWCA0](#) [SM-RVT50HQSNNWC00-B](#) [PH320240T028-ZEA01](#) [RFE430W-1YW-DBN](#) [SM-RVT50HQLFWN00](#) [SM-RVT50HQHNWC00-B](#)