

Display Elektronik GmbH

DATA SHEET

LCD MODULE

DEM 320240B TMH-PW-N

3,5" TFT

Product Specification

Ver.: 3

16.10.2014

Revise Records

| Rev. | Date | Contents | Written | Approved |
|------|------------|---------------------------------------|---------|----------|
| 0 | 26.04.2010 | Preliminary Specification | KS | MH |
| 1 | 27.09.2010 | Revised Display color to 262k colors. | KS | MH |
| 2 | 20.01.2011 | Add IIS & Add RoHS Compliance | KC | MHO |
| 3 | 16.10.2014 | Update LED Life Time | KC | MHO |
| | | | | |
| | | | | |
| | | | | |
| | | | | |
| | | | | |
| | | | | |

Special Notes

| | |
|--------|--|
| Note1. | |
| Note2. | |
| Note3. | |
| Note4. | |
| Note5. | |
| | |
| | |
| | |
| | |
| | |
| | |
| | |
| | |
| | |
| | |
| | |
| | |

Contents

| | |
|---|----|
| 1. General Description and Feature | 4 |
| 1.1 Features | 4 |
| 1.2 LCD Module | 4 |
| 2. Mechanical Information | 5 |
| 3. Electrical Specifications | 5 |
| 3.1 Absolute Max. Ratings | 5 |
| 3.2 Electrical Absolute Rating..... | 6 |
| 4 Electrical Characteristics | 7 |
| 4.1 TFT-LCD Module (DC Characteristics) | 7 |
| 4.2 Backlight Unit | 7 |
| 5 Block Diagram | 8 |
| TFT-LCD Module with Backlight Unit | 8 |
| 6 Input Terminal Pin Assignment | 9 |
| 6.1 Pin Assignment (LCD) | 9 |
| 7 Optical Characteristics | 11 |
| 8 Basic Display Color and Gray Scale | 13 |
| 9 Interface Timing | 14 |
| 9.1 Input Signal Characteristics | 14 |
| 9.2 Waveform | 15 |
| 9.3 Power On/Off Sequence | 15 |
| 10 Reliability Condition for LCD | 16 |
| 11 Dimensional outlines | 17 |
| 12 Incoming Inspection Standards | 18 |

1. General Description and Features

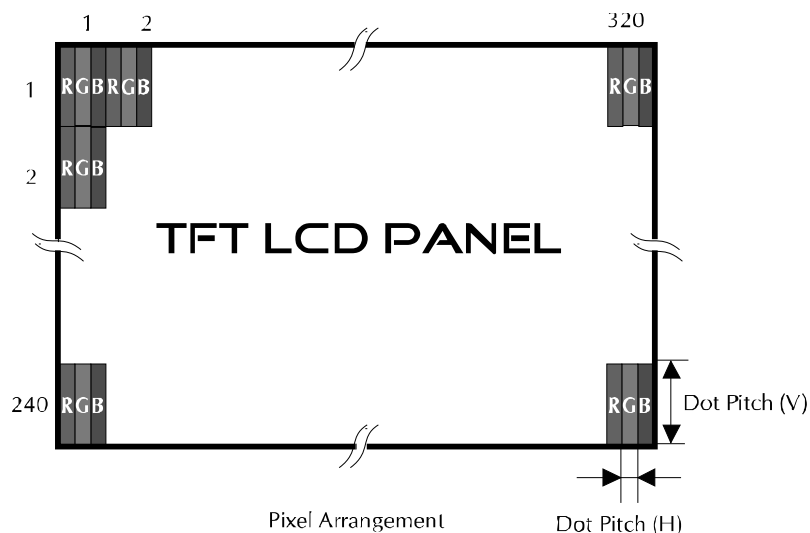
DEM 320240B TMH-PW-N is a TM (Transmissive) type color active matrix TFT (Thin Film Transistor) liquid crystal display (LCD) that uses amorphous silicon TFT as a switching device. This model is composed of a TFT-LCD module, a driver circuit and a back-light unit. The resolution of a 3.5" contains 320RGBx240 dots and can display up to 16.7M colors. The following table described the features of DEM 320240B TMH-PW-N.

1.1 Features

- QVGA(320 x 240 pixels) resolution.
- Display in 16.7M colors.
- On-chip voltage generator.
- SYNC mode is supported for digital RGB input data format.
- RoHS Compliant

1.2 LCD Module

| Item | Specification | Unit |
|--------------------|-------------------------------|----------|
| Screen Size | 3.5 inches | Diagonal |
| Display Resolution | 320 x RGB x 240 | Dot |
| Dot Pitch | 0.073 (H) x 0.219 (V) | mm |
| Active Area | 70.08 (H) x 52.56 (V) | mm |
| Outline Dimension | 76.9 (W) x 63.9 (H) x 3.3 (D) | mm |
| Display Mode | Normally white/Transmissive | -- |
| Pixel Arrangement | RGB-Stripe | -- |
| Surface Treatment | Anti-glare (AG) | -- |
| Display Color | 16.7M | -- |
| Viewing Direction | 6 o'clock (Gray Inversion) | -- |
| Input Interface | Digital 8-bits color RGB | -- |
| Color Gamut | NTSC 60% | -- |



2. Mechanical Information

| Item | | Min. | Typ. | Max. | Unit | Note |
|-------------|----------------|------|-------|------|------|------|
| Module Size | Horizontal (H) | -- | 76.90 | -- | mm | -- |
| | Vertical (V) | -- | 63.90 | -- | mm | (1) |
| | Thickness (T) | -- | 3.30 | -- | mm | (2) |
| Weight | | -- | 32 | -- | g | -- |

Note (1) Not include FPC.

Refer to the Outline Dimension for further information.

3. Electrical Specifications

3.1 Absolute Max. Ratings

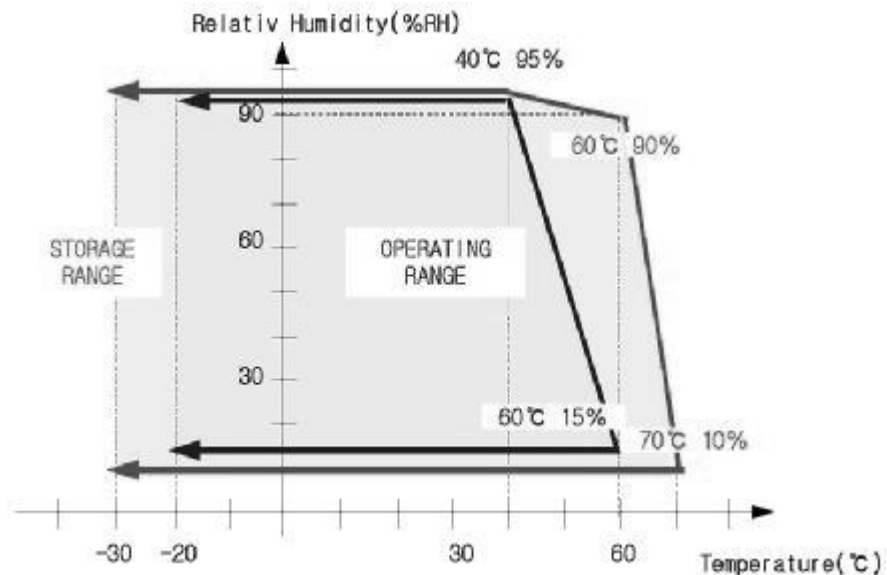
3.1.1 Absolute Ratings of Environment

If the operating condition exceeds the following absolute maximum ratings, the TFT LCD module may be damaged permanently.

(Ta=25±2°C, Vss=GND=0)

| Item | Symbol | Min. | Max. | Unit | Note |
|-----------------------|------------------|------|------|------|---------|
| Storage temperature | T _{STG} | -30 | 80 | °C | (1) |
| Operating temperature | T _{OPR} | -20 | 70 | °C | (1,2,3) |

Note (1) 95 % RH Max. (40 °C ≥ Ta). Maximum wet-bulb temperature at 39 °C or less. (Ta > 40 °C) No condensation.



Note (2) In case of below 0°, the response time of liquid crystal (LC) becomes slower and the color of panel becomes darker than normal one. Level of retardation depends on temperature, because of LC's character

Note (3) Only operation is guaranteed at operating temperature. Contrast, response time, another display quality are evaluated at +25°C.

3.2 Electrical Absolute Rating

3.2.1 TFT-LCD Module

(Voltage Referenced to VSS)

| Item | Symbol | Value | | Unit | Condition |
|------------------------------|--------|---------|------|------|-----------|
| | | Min. | Max. | | |
| Digital Power Supply Voltage | Vcc | VSS-0.3 | 5.0 | V | -- |

3.2.2 Back-Light Unit

(Ta=25±2°C)

| Item | Symbol | Min. | Max. | Unit | Note |
|-----------------|----------------|------|------|------|------|
| Forward current | I _f | -- | (30) | mA | (1) |
| Reverse voltage | V _R | -- | (30) | V | (1) |

Note (1) Permanent damage to the device may occur if maximum values are exceeded or reverse voltage is loaded. Functional operation should be restricted to the conditions described under normal operating conditions.

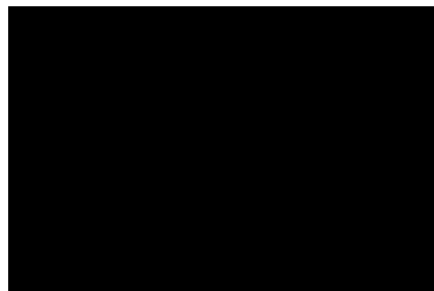
4 Electrical Characteristics

4.1 TFT-LCD Module (DC Characteristics)

| Item | Symbol | Value | | | Unit | Note |
|------------------------------|-----------------|---------------------|--------|---------------------|------|------|
| | | Min. | Typ. | Max. | | |
| Digital Power Supply Voltage | V _{CC} | 2.5 | 3.3 | 3.6 | V | |
| Input High Threshold Voltage | V _{IH} | 0.8 V _{CC} | - | V _{CC} | V | |
| Input Low Threshold Voltage | V _{IL} | 0 | - | 0.2 V _{CC} | V | |
| Power Supply Current | I _{CC} | - | (15.6) | (22.0) | mA | (1) |
| Power Consumption | P _L | - | 51.48 | 72.6 | mW | (1) |

Note (1) The specified power consumption is under the conditions at V_{CC}=3.3V , F_v=60Hz, whereas a Power dissipation check pattern below is displayed.

Black Pattern / 0 Gray



Active Area

4.2 Backlight Unit

The back-light system is an edge-lighting type with six white LEDs (Light Emitting Diode).

(Ta=25±2°C)

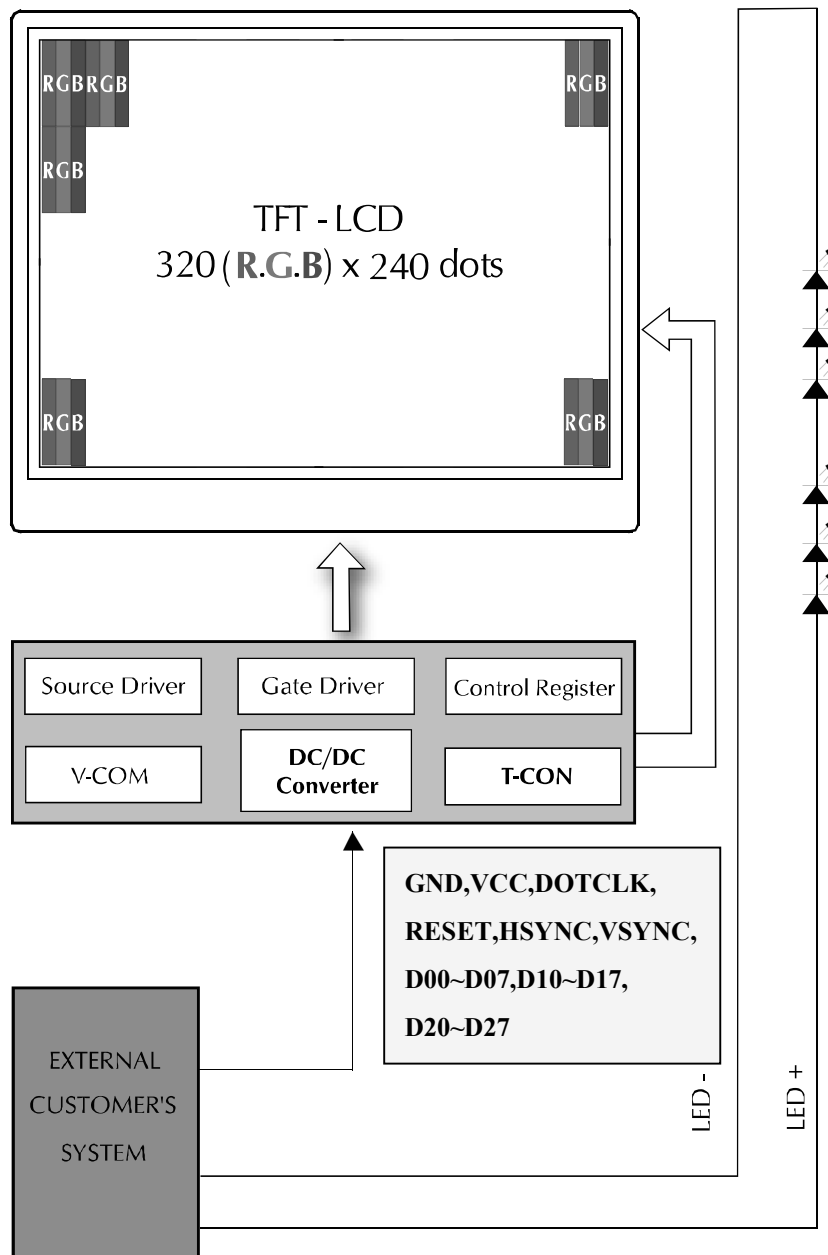
| Item | Symbol | Value | | | Unit | Condition |
|---------------------|-----------------|---------|--------|------|------|-----------|
| | | Min. | Typ. | Max. | | |
| LED Voltage | V _L | - | (18.6) | | V | |
| LED Current | I _L | - | (20) | - | mA | |
| Power Consumption | P _{BL} | - | (372) | - | mW | |
| LED Life Time(25°C) | - | (50000) | - | - | hr | |

Note (1) Six LEDs serial type.

(2) Where I_B = 20mA, V_F = 18.6, P_{BL} = V_F × I_B

5 Block Diagram

TFT-LCD Module with Backlight Unit



6 Input Terminal Pin Assignment

6.1 Pin Assignment (LCD)

| Pin No. | Symbol | I/O | Function | Remark |
|---------|-------------------|-----|--------------------------|--------|
| 1 | LED_K | I | Backlight LED Ground | |
| 2 | LED_K | I | Backlight LED Ground | |
| 3 | LED_A | I | Backlight LED Power | |
| 4 | LED_A | I | Backlight LED Power | |
| 5 | N/C | I | Not Connection | |
| 6 | N/C | I | Not Connection | |
| 7 | N/C | I | Not Connection | |
| 8 | RESET | I | Hardware Reset | |
| 9 | NC | I | Not Connection | |
| 10 | NC | I | Not Connection | |
| 11 | NC | -- | Not Connection | |
| 12 | D20 | I | Blue Data (LSB) | |
| 13 | D21 | I | Blue Data | |
| 14 | D22 | I | Blue Data | |
| 15 | D23 | I | Blue Data | |
| 16 | D24 | I | Blue Data | |
| 17 | D25 | I | Blue Data | |
| 18 | D26 | I | Blue Data | |
| 19 | D27 | I | Blue Data (MSB) | |
| 20 | D10 | I | Green Data (LSB) | |
| 21 | D11 | I | Green Data | |
| 22 | D12 | I | Green Data | |
| 23 | D13 | I | Green Data | |
| 24 | D14 | I | Green Data | |
| 25 | D15 | I | Green Data | |
| 26 | D16 | I | Green Data | |
| 27 | D17 | I | Green Data (MSB) | |
| 28 | D00 | I | Red Data (LSB) | |
| 29 | D01 | I | Red Data | |
| 30 | D02 | I | Red Data | |
| 31 | D03 | I | Red Data | |
| 32 | D04 | I | Red Data | |
| 33 | D05 | I | Red Data | |
| 34 | D06 | I | Red Data | |
| 35 | D07 | I | Red Data (MSB) | |
| 36 | H _{SYNC} | I | Horizontal Sync Input | |
| 37 | V _{SYNC} | I | Vertical Sync Input | |
| 38 | DOTCLK | I | Dot Data Clock | |
| 39 | N/C | I | Not Connection | |
| 40 | N/C | I | Not Connection | |
| 41 | VCC | I | For system power supply. | |

| | | | | |
|----|-----|---|--------------------------|--|
| 42 | VCC | I | For system power supply. | |
| 43 | N/C | I | Not Connection | |
| 44 | N/C | I | Not Connection | |
| 45 | N/C | I | Not Connection | |
| 46 | N/C | I | Not Connection | |
| 47 | N/C | I | Not Connection | |
| 48 | N/C | I | Not Connection | |
| 49 | N/C | I | Not Connection | |
| 50 | N/C | I | Not Connection | |
| 51 | N/C | I | Not Connection | |
| 52 | N/C | I | Not Connection | |
| 53 | GND | I | Ground | |
| 54 | GND | I | Ground | |

7 Optical Characteristics

The following items are measured under stable conditions. The optical characteristics should be measured in a dark room or equivalent state with the methods shown in Note (1).
 Measuring equipment: BM-5A, BM-7,

(Ta=25±2°C)

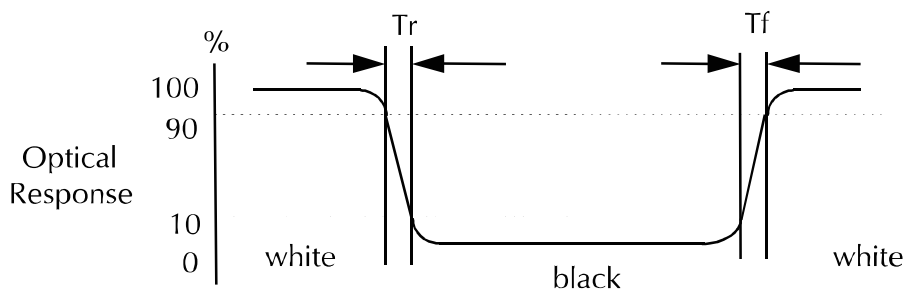
| Item | Symbol | Condition | Min | Type | Max | Unit | Note | |
|------------------------------|------------------|---------------------------|----------------|---------|---------|-------------------|------|----|
| Brightness | -- | θ=0° Normal Viewing Angle | 300 | 350 | -- | cd/m ² | -- | |
| Response time | T _R | | -- | 15 | 20 | ms | -- | |
| | T _F | | -- | 35 | 50 | ms | | |
| Brightness uniformity | B _{UNI} | | 80 | - | - | % | | |
| Contrast ratio | CR | | 300 | 450 | -- | -- | -- | |
| Color Chromaticity (CIE1931) | Red | | R _X | (0.590) | (0.640) | (0.690) | -- | -- |
| | | | R _Y | (0.294) | (0.344) | (0.394) | | |
| | Green | | G _X | (0.248) | (0.298) | (0.348) | -- | |
| | | | G _Y | (0.532) | (0.583) | (0.633) | | |
| | Blue | | B _X | (0.090) | (0.140) | (0.190) | -- | |
| | | B _Y | (0.080) | (0.130) | (0.180) | | | |
| | White | W _X | (0.262) | (0.312) | (0.362) | -- | | |
| | | W _Y | (0.299) | (0.349) | (0.399) | | | |
| Viewing Angle (6H) | Hor. | θ _R | 50 | (60) | -- | Degree | -- | |
| | | θ _L | 50 | (60) | -- | | | |
| | Ver. | φ _H | 40 | (50) | -- | | | |
| | | φ _L | 50 | (60) | -- | | | |

a. Test equipment setup

After stabilizing and leaving the panel alone shall be warmed up for the stable operation of LCM, the measurement should be executed. Measurement should be executed in a stable, windless, and dark room. Optical specifications are measured by Topcon BM-7(fast) with a viewing angle of 2° at a distance of 50cm and normal direction.

b. Definition of response time: Tr and Tf

The response time is defined as the following figure and shall be measured by switching the input signal for "black" and "white".



c. Definition of contrast ratio:

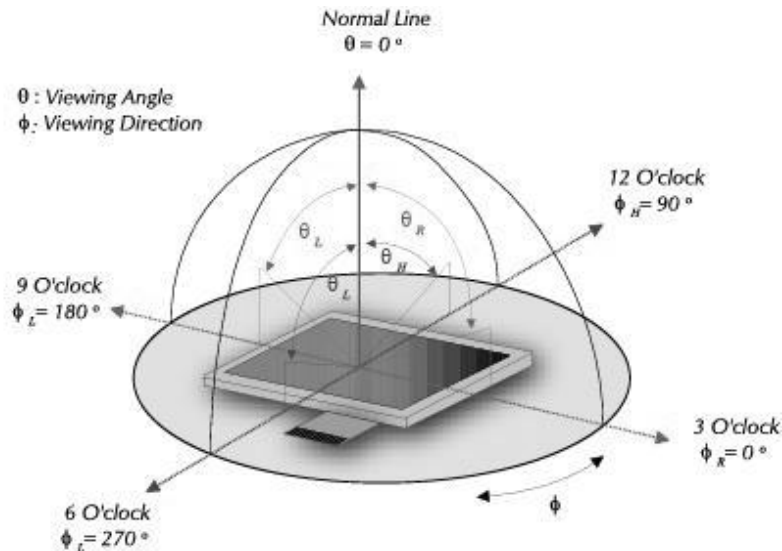
Brightness measured when LCD is at "white state"

$$\text{Contrast Ratio (CR)} = \frac{\text{Brightness measured when LCD is at "white state"}}{\text{Brightness measured when LCD is at "black state"}}$$

Brightness measured when LCD is at "black state"

d. Measured at the center area of the panel when all the input terminals of LCD panel are electrically opened.

e. View Angle



f. Definition of Luminance of White: Luminance of white at the center points

| | |
|---------------------------------|----------|
| Light Source of Back-Light Unit | LED Type |
|---------------------------------|----------|

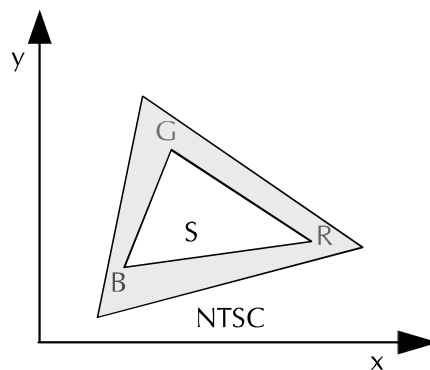
g. Definition of White Uniformity

$$\text{White Uniformity} = \frac{\text{Min. luminance of white among 9-points}}{\text{Max. luminance of white among 9-points}}$$

h. The definition of Color Gamut -Color Chromaticity CIE 1931

Color coordinate of white & red, green, blue at center point.

$$\text{Color Gamut : NTSC(\%)} = (\text{RGB Triangle Area} / \text{NTSC Triangle Area}) \times 100$$



8 Basic Display Color and Gray Scale

| | Color & Gray Scale | Data Signal | | | | | | | | | | | | | | | | | | | | | | | |
|-------------|--------------------|-------------|-----|-----|-----|-----|-----|-----|-----|-----|-----|-----|-----|-----|-----|-----|-----|-----|-----|-----|-----|-----|-----|-----|-----|
| | | D07 | D06 | D05 | D04 | D03 | D02 | D01 | D00 | D17 | D16 | D15 | D14 | D13 | D12 | D11 | D10 | D27 | D26 | D25 | D24 | D23 | D22 | D21 | D20 |
| Basic Color | Black | 0 | 0 | 0 | 0 | 0 | 0 | 0 | 0 | 0 | 0 | 0 | 0 | 0 | 0 | 0 | 0 | 0 | 0 | 0 | 0 | 0 | 0 | 0 | |
| | Red | 1 | 1 | 1 | 1 | 1 | 1 | 1 | 1 | 0 | 0 | 0 | 0 | 0 | 0 | 0 | 0 | 0 | 0 | 0 | 0 | 0 | 0 | 0 | |
| | Green | 0 | 0 | 0 | 0 | 0 | 0 | 0 | 0 | 1 | 1 | 1 | 1 | 1 | 1 | 1 | 1 | 0 | 0 | 0 | 0 | 0 | 0 | 0 | |
| | Blue | 0 | 0 | 0 | 0 | 0 | 0 | 0 | 0 | 0 | 0 | 0 | 0 | 0 | 0 | 0 | 0 | 1 | 1 | 1 | 1 | 1 | 1 | 1 | |
| | Cyan | 0 | 0 | 0 | 0 | 0 | 0 | 0 | 0 | 1 | 1 | 1 | 1 | 1 | 1 | 1 | 1 | 1 | 1 | 1 | 1 | 1 | 1 | 1 | |
| | Magenta | 1 | 1 | 1 | 1 | 1 | 1 | 1 | 1 | 0 | 0 | 0 | 0 | 0 | 0 | 0 | 0 | 1 | 1 | 1 | 1 | 1 | 1 | 1 | |
| | Yellow | 1 | 1 | 1 | 1 | 1 | 1 | 1 | 1 | 1 | 1 | 1 | 1 | 1 | 1 | 1 | 1 | 0 | 0 | 0 | 0 | 0 | 0 | 0 | |
| | White | 1 | 1 | 1 | 1 | 1 | 1 | 1 | 1 | 1 | 1 | 1 | 1 | 1 | 1 | 1 | 1 | 1 | 1 | 1 | 1 | 1 | 1 | 1 | |
| Red | Black | 0 | 0 | 0 | 0 | 0 | 0 | 0 | 0 | 0 | 0 | 0 | 0 | 0 | 0 | 0 | 0 | 0 | 0 | 0 | 0 | 0 | 0 | | |
| | Red(1) | 0 | 0 | 0 | 0 | 0 | 0 | 0 | 1 | 0 | 0 | 0 | 0 | 0 | 0 | 0 | 0 | 0 | 0 | 0 | 0 | 0 | 0 | | |
| | Red(2) | 0 | 0 | 0 | 0 | 0 | 0 | 1 | 0 | 0 | 0 | 0 | 0 | 0 | 0 | 0 | 0 | 0 | 0 | 0 | 0 | 0 | 0 | | |
| | : | : | : | : | : | : | : | : | : | : | : | : | : | : | : | : | : | : | : | : | : | : | : | | |
| | Red(127) | 0 | 1 | 1 | 1 | 1 | 1 | 1 | 1 | 0 | 0 | 0 | 0 | 0 | 0 | 0 | 0 | 0 | 0 | 0 | 0 | 0 | 0 | | |
| | : | : | : | : | : | : | : | : | : | : | : | : | : | : | : | : | : | : | : | : | : | : | : | : | |
| | Red(254) | 1 | 1 | 1 | 1 | 1 | 1 | 1 | 0 | 0 | 0 | 0 | 0 | 0 | 0 | 0 | 0 | 0 | 0 | 0 | 0 | 0 | 0 | | |
| Red(255) | 1 | 1 | 1 | 1 | 1 | 1 | 1 | 1 | 0 | 0 | 0 | 0 | 0 | 0 | 0 | 0 | 0 | 0 | 0 | 0 | 0 | 0 | | | |
| Green | Black | 0 | 0 | 0 | 0 | 0 | 0 | 0 | 0 | 0 | 0 | 0 | 0 | 0 | 0 | 0 | 0 | 0 | 0 | 0 | 0 | 0 | 0 | | |
| | Green(1) | 0 | 0 | 0 | 0 | 0 | 0 | 0 | 0 | 0 | 0 | 0 | 0 | 0 | 0 | 1 | 0 | 0 | 0 | 0 | 0 | 0 | 0 | | |
| | Green(2) | 0 | 0 | 0 | 0 | 0 | 0 | 0 | 0 | 0 | 0 | 0 | 0 | 0 | 0 | 1 | 0 | 0 | 0 | 0 | 0 | 0 | 0 | | |
| | : | : | : | : | : | : | : | : | : | : | : | : | : | : | : | : | : | : | : | : | : | : | : | | |
| | Green(127) | 0 | 0 | 0 | 0 | 0 | 0 | 0 | 0 | 0 | 1 | 1 | 1 | 1 | 1 | 1 | 0 | 0 | 0 | 0 | 0 | 0 | 0 | | |
| | : | : | : | : | : | : | : | : | : | : | : | : | : | : | : | : | : | : | : | : | : | : | : | | |
| | Green(254) | 0 | 0 | 0 | 0 | 0 | 0 | 0 | 0 | 1 | 1 | 1 | 1 | 1 | 1 | 1 | 0 | 0 | 0 | 0 | 0 | 0 | 0 | | |
| Green(255) | 0 | 0 | 0 | 0 | 0 | 0 | 0 | 0 | 1 | 1 | 1 | 1 | 1 | 1 | 1 | 0 | 0 | 0 | 0 | 0 | 0 | 0 | | | |
| Blue | Black | 0 | 0 | 0 | 0 | 0 | 0 | 0 | 0 | 0 | 0 | 0 | 0 | 0 | 0 | 0 | 0 | 0 | 0 | 0 | 0 | 0 | 0 | | |
| | Blue(1) | 0 | 0 | 0 | 0 | 0 | 0 | 0 | 0 | 0 | 0 | 0 | 0 | 0 | 0 | 0 | 0 | 0 | 0 | 0 | 0 | 0 | 1 | | |
| | Blue(2) | 0 | 0 | 0 | 0 | 0 | 0 | 0 | 0 | 0 | 0 | 0 | 0 | 0 | 0 | 0 | 0 | 0 | 0 | 0 | 0 | 0 | 1 | | |
| | : | : | : | : | : | : | : | : | : | : | : | : | : | : | : | : | : | : | : | : | : | : | : | | |
| | Blue(127) | 0 | 0 | 0 | 0 | 0 | 0 | 0 | 0 | 0 | 0 | 0 | 0 | 0 | 0 | 0 | 0 | 1 | 1 | 1 | 1 | 1 | 1 | | |
| | : | : | : | : | : | : | : | : | : | : | : | : | : | : | : | : | : | : | : | : | : | : | : | | |
| | Blue(254) | 0 | 0 | 0 | 0 | 0 | 0 | 0 | 0 | 0 | 0 | 0 | 0 | 0 | 0 | 0 | 1 | 1 | 1 | 1 | 1 | 1 | 0 | | |
| Blue(255) | 0 | 0 | 0 | 0 | 0 | 0 | 0 | 0 | 0 | 0 | 0 | 0 | 0 | 0 | 0 | 1 | 1 | 1 | 1 | 1 | 1 | 1 | | | |

0 : Low level voltage, 1 :High level voltage

Each basic color can be displayed in 256 gray scales from 8 bit data signals. With the combination of total 24 bit data signals, the 16,777,216-color display can be achieved on the screen.

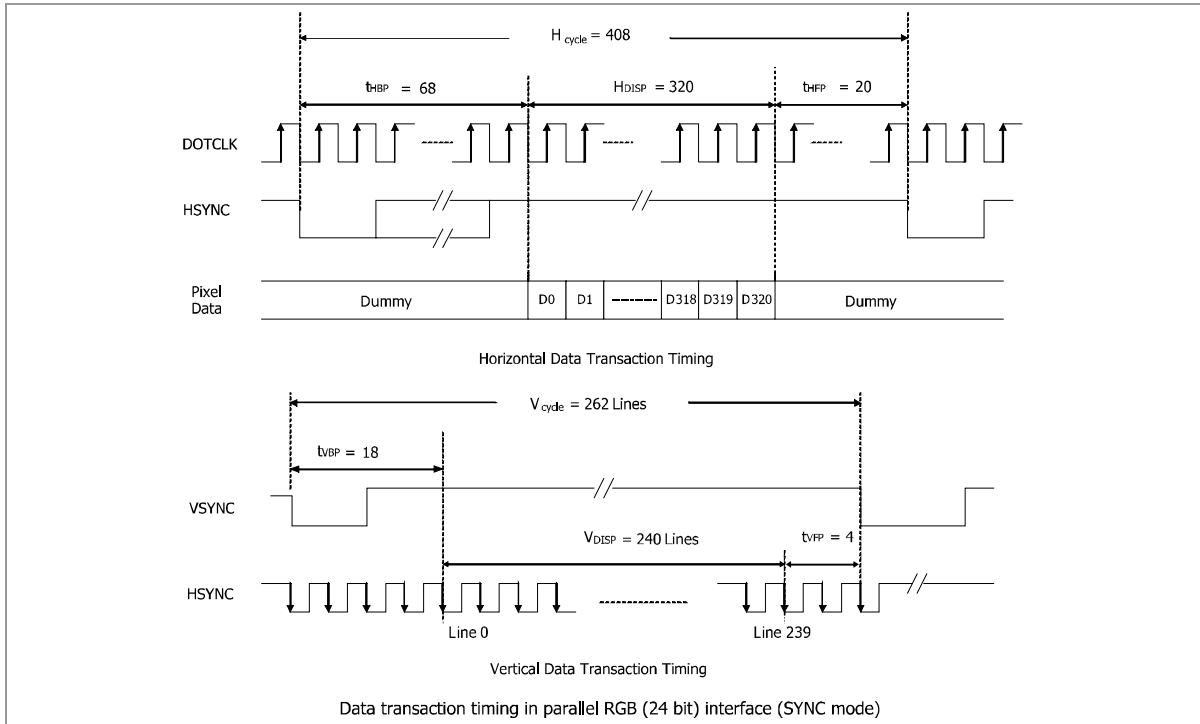
9 Interface Timing

9.1 Input Signal Characteristics

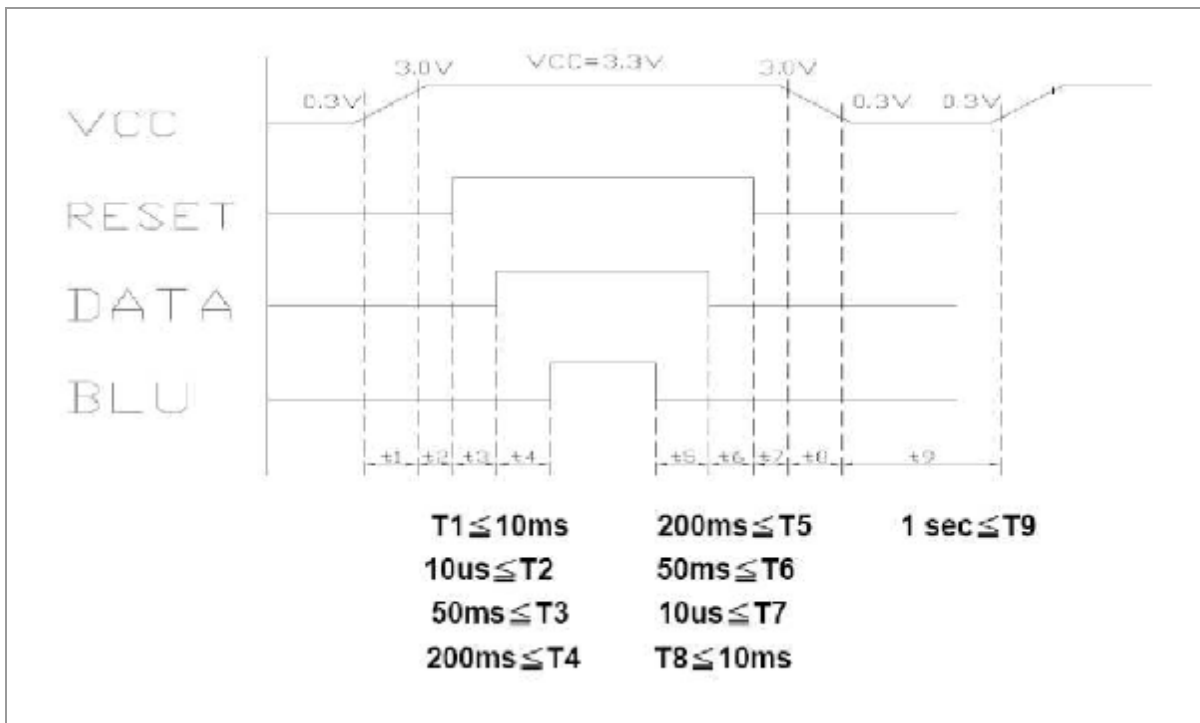
9.2.1 Digital Parallel RGB Interface (320*240 resolution)

| Item | Symbol | Min. | Typ. | Max. | Unit | |
|------------------------------|-------------|--------|------|-------------|---------|-------|
| DOTCLK Frequency | fDOTCLK | - | 6.5 | 10 | MHz | |
| DOTCLK Period | tDOTCLK | 100 | 154 | - | ns | |
| Horizontal Frequency (Line) | fH | - | 14.9 | 22.35 | KHz | |
| Vertical Frequency (Refresh) | fV | - | 60 | 90 | Hz | |
| Horizontal Back Porch | tHBP | - | 68 | - | tDOTCLK | |
| Horizontal Front Porch | tHFP | - | 20 | - | tDOTCLK | |
| Horizontal Data Start Point | tHBP | - | 68 | - | tDOTCLK | |
| Horizontal Blanking Period | tHBP + tHFP | - | 88 | - | tDOTCLK | |
| Horizontal Display Area | HDISP | - | 320 | - | tDOTCLK | |
| Horizontal Cycle | Hcycle | - | 408 | 450 | tDOTCLK | |
| Vertical Back Porch | tVBP | - | 18 | - | Lines | |
| Vertical Front Porch | tVFP | - | 4 | - | Lines | |
| Vertical Data Start Point | tVBP | - | 18 | - | Lines | |
| Vertical Blanking Period | tVBP + tVFP | - | 22 | - | Lines | |
| Vertical Display Area | NTSC | VDISP | - | 240 | - | Lines |
| | PAL | | | 280(PALM=0) | | |
| | | | | 288(PALM=1) | | |
| Vertical Cycle | NTSC | Vcycle | - | 262 | 350 | Lines |
| | PAL | | | 313 | | |

9.2 Waveform



9.3 Power On/Off Sequence



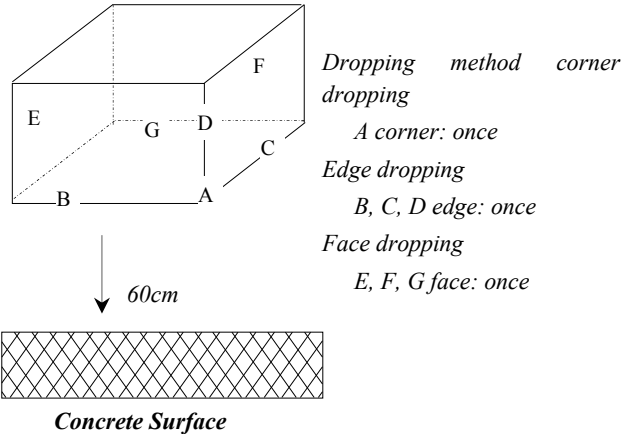
10 Reliability Condition for LCD

No change on display and in operation under the following test condition.

Condition: Unless otherwise specified, tests will be conducted under the following condition.

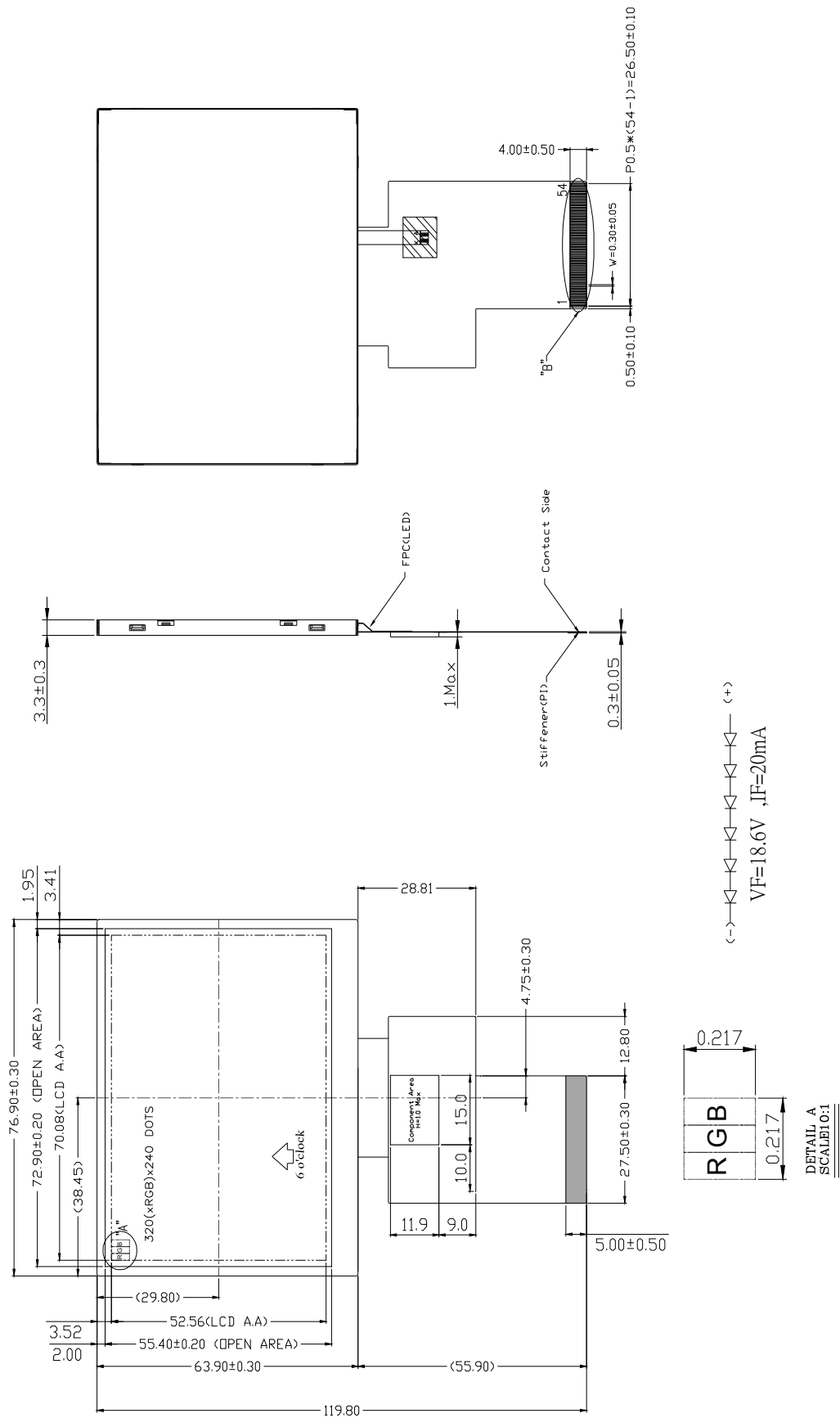
Temperature: 20±5°C Humidity: 65±5%RH

Tests will be not conducted under functioning state.

| No. | Parameter | Condition | Notes |
|-----|---|---|-------|
| 1 | High Temperature Operating | 70°C±2°C, 240hrs (Operation state) | -- |
| 2 | Low Temperature Operating | -20°C±2°C, 240hrs (Operation state) | -- |
| 3 | High Temperature Storage | 80°C±2°C, 240hrs | -- |
| 4 | Low Temperature Storage | -30°C±2°C, 240hrs | -- |
| 5 | High Temperature and High Humidity Operation Test | 60°C±2°C, 90%, 240hrs | -- |
| 6 | Vibration Test | Total fixed amplitude: 1.5mm Vibration Frequency: 10~55Hz One cycle 60 seconds to 3 direction of X, Y, Z each 15 minutes. | -- |
| 7. | Drop Test | To be measured after dropping from 60cm high on the concrete surface in packing state.  | -- |

- Notes:
1. No dew condensation to be observed.
 2. The function test shall be conducted after 4 hours storage at the normal temperature and humidity after removed from the test chamber.
 3. Vibration test will be conducted to the product itself without putting I in a container.

11 Dimensional Outlines

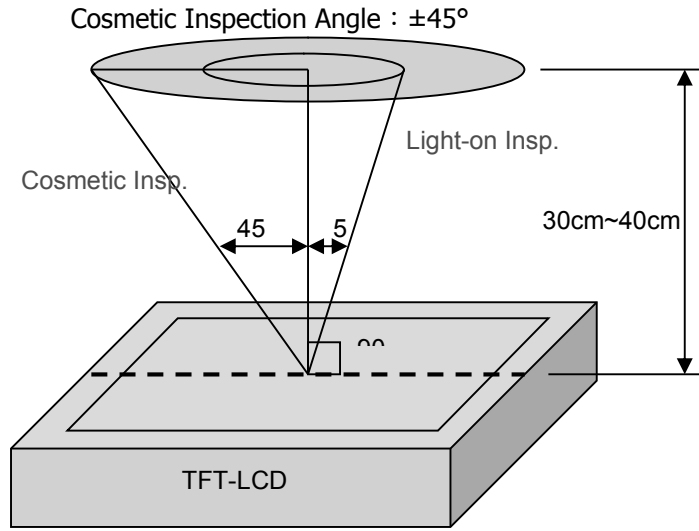


Incoming Inspection Standards

12.1 Inspection and Environment Conditions

12.1.1 Inspection Conditions:

- (1) Inspection Distance: 35 cm±5cm
- (2) View Angle : Light-on Inspection Angle : ±5°



(perpendicular to LCD panel surface)

12.1.2 Environment Conditions:

| | | |
|----------------------|-----------------------|-------------------|
| Ambient Temperature | | 23°C ±5°C |
| Ambient Humidity | | 55±10%RH |
| Ambient Illumination | Cosmetic Inspection | more than 600 Lux |
| | Functional Inspection | 300~500 Lux |

12.1.3 Sampling Conditions:

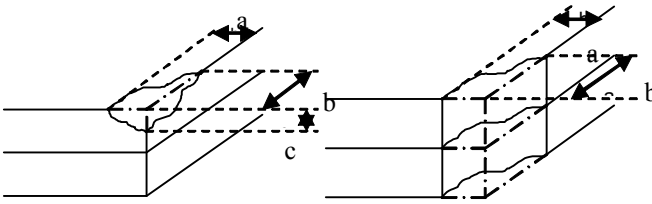

- (1) Lot Size: Quantity of shipment lot per model
- (2) Sampling Method:

| Sampling Plan | | MIL-STD-105E |
|---------------|--------------|--|
| | | Normal Inspection, Single Sampling Level II |
| AQL | Major Defect | 1.0% |
| | Minor Defect | 1.5% |

- (3) The classification of Major(MA) and Minor(MI) defects is shown as 3. Inspection Criteria.

12.1.4 Inspection Criteria

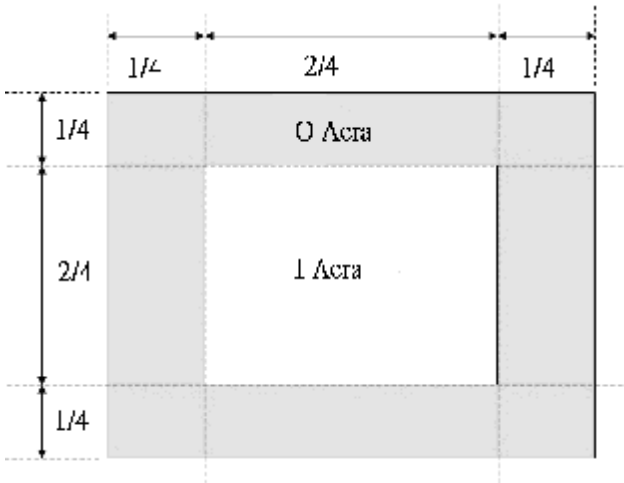
12.1.4.1 Cosmetic Inspection(Panel):

| Item | Judgment Criteria | Classification |
|---------------------------------------|---|----------------|
| Chipping on Panel |  <p>$a \leq 3.0\text{mm}$、$b \leq 3.0\text{mm}$、$c \leq t$ (Bottom glass thickness)</p> | MA |
| Scratch on Panel *Note-2 | <p>$W \leq 0.05\text{mm}$ or $L < 5\text{mm}$: Ignored $0.05\text{mm} < W \leq 0.1\text{mm}$ and $L \leq 5\text{mm}$: $N \leq 5$ $W > 0.1\text{mm}$ or $L > 5\text{mm}$: Not allowed</p> | MI |
| Bubble or Dent on Panel *Note-3 | <p>$D \leq 0.2\text{mm}$: Ignored $0.2\text{mm} < D \leq 0.3\text{mm}$: $N \leq 5$ $D > 0.3\text{mm}$: Not allowed</p> | MI |
| Panel Crack |  <p>Not Allowed crack</p> | MA |
| Bezel Deformation | Obvious deformation is not allowed. | MI |
| Bezel Oxidation | Not allowed if it rusts continuously over 1 cm (It is out of warranty with rusted tin plate) | MI |
| Bezel Scratch | $L \leq 20\text{mm}$, $W \leq 0.2$, $N \leq 3$ | MI |
| Metal Squash Dent /Flange(Front Side) | $D(W) \leq 1, L \leq 3, N \leq 3;$ | MI |
| B/L High Voltage Wire Denudation | Not allowed | MA |
| Polarizer flaw or leak out resin | Defect is defined as the active area. | MI |
| Outline Dimension | Must in Spec, refer to related product spec. | MI |

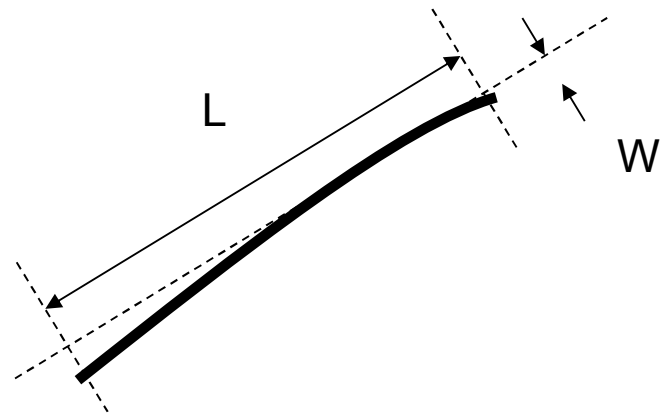
12.1.4.2 Functional Inspection:

| Item | Judgment Criteria | | | Classification |
|---|--|--|---------------------|----------------|
| | Area(Note1) | I | O | |
| Point Defect | Bright dot | Random | 2 | |
| | | 2 dots adjacent | 0 | 0 |
| | | 3 dots adjacent or more | 0 | 0 |
| | Dark dot | Random | 3 | |
| | | 2 dots adjacent | 0 | |
| | | 3 dots adjacent or more | 0 | 0 |
| | Total Dot Defect | | 5 | |
| | Distance | Distance between Bright and Bright dot | $L \geq 5\text{mm}$ | |
| | | Distance between Bright and Dark dot | $L \geq 5\text{mm}$ | |
| | | Distance between Dark dot | $L \geq 5\text{mm}$ | |
| (1) It is defined as Point Defect if defect area > 0.5dot (2) It is ignored if defect area $\leq 0.5\text{dot}$ (3) Weak point defect will be defined as Bright Dot if it can be observed through ND filter 5%(Full Screen Black Inspection) | | | | |
| Line Defect | Obvious vertical or horizontal line defect is not allowed. | | | MA |
| Mura | Not allowed if it can be observed through ND Filter 5 % | | | MI |
| Foreign Material in spot shape *Note-3 | $D \leq 0.2\text{mm}$: Ignored $0.2\text{mm} < D \leq 0.5\text{mm}$: $N \leq 8$ $D > 0.5\text{mm}$: Not allowed | | | MI |
| Foreign Material in line or spiral shape *Note-4 | $W \leq 0.05\text{mm}$ or $L \leq 5\text{mm}$: Ignored $0.05\text{mm} < W \leq 0.2\text{mm}$ and $L 1.0\text{mm} \leq 5\text{mm}$: $N \leq 8$ $W > 0.2\text{mm}$ or $L > 5\text{mm}$: Not allowed | | | MI |
| Display Function Abnormal | No Malfunction can be allowed | | | MA |

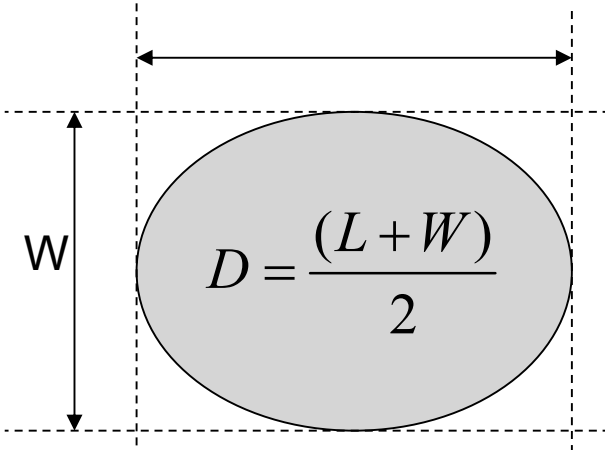
Note-1 : I/O Area Definition



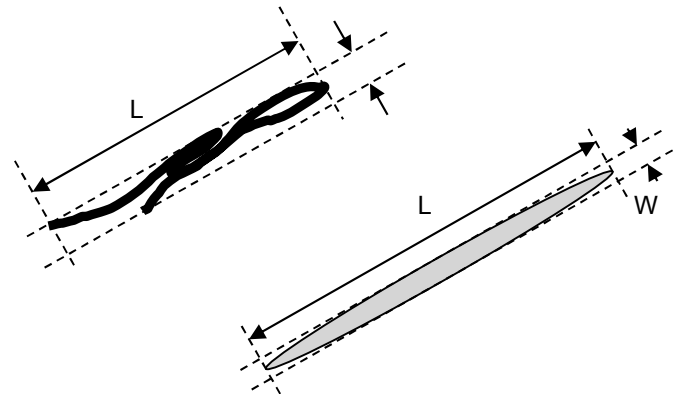
Note-2 : Polarizer Scratch



Note-3 : Spot Foreign Material
($W \geq L / 4$)



Note-4 : Line or Spiral Foreign Material
($W < L / 4$)



X-ON Electronics

Largest Supplier of Electrical and Electronic Components

Click to view similar products for [TFT Displays & Accessories](#) category:

Click to view products by [Display Elektronik](#) manufacturer:

Other Similar products are found below :

[OAI-80038AA-2013-A](#) [HDA430T-3G1H](#) [NB-ATT01](#) [TCG104SVLQAPNN-AN20](#) [OAI-80038AA-2008-A](#) [315-U004B15300](#) [EIC-LCD-1080P](#) [NL10276BC20-18C](#) [DEM 128160D](#) [TMH-PW-N](#) [RFE43BU-AIW-DNG](#) [EA WF050-40S](#) [EA WF050-40ST](#) [RFC350X-AWW-DNG](#) [RFS390E-AWW-DNN](#) [DEM 480272G2](#) [VMX-PW-N \(A-TOUCH\)](#) [PH800480T013-ICA](#) [DEM 1024600N](#) [VMX-PW-N \(C-TOUCH\)](#) [DEM 1024600P](#) [VMH-PW-N \(C-TOUCH\)](#) [SM-RVT50HQHNWCA0](#) [DEM 240280A](#) [VMH-PW-N](#) [DEM 170320A](#) [VMH-PW-N](#) [PH240320T068-LAB08](#) [DEM 800480T1](#) [TMH-PW-N](#) [PH128128T041-LAA07](#) [PH480272T005-IAC02](#) [DEM 1024600P](#) [VMH-PW-N \(A-TOUCH\)](#) [DEM 800480T1](#) [TMH-PW-N \(C-TOUCH\)](#) [DEM 800480Q4](#) [VMX-PW-N](#) [DEM 800480T1](#) [TMH-PW-N \(A-TOUCH\)](#) [PH320240T-023-I02Q](#) [PH128800T004-ZZA01](#) [RFE430W-1YW-DBS](#) [DEM 1024600N](#) [VMX-PW-N \(A-TOUCH\)](#) [PH240320T074-ZAA01](#) [DEM 480480D](#) [VMX-PW-N \(C-TOUCH\)](#) [SM-RVT50HQSNWN00](#) [SM-RVT50HQHNWC00](#) [PH800480T033-ICB01](#) [RFE430W-AWW-DNN](#) [DEM 096096A](#) [VMH-PW-N](#) [RL0F00050000FGAAASA01](#) [SM-RVT50HQSNWCA0](#) [SM-RVT50HQSNWC00-B](#) [PH320240T028-ZEA01](#) [RFE430W-1YW-DBN](#) [SM-RVT50HQHNWC00-B](#) [DEM 120240A](#) [VMH-PW-N](#) [DEM 268800A](#) [VMH-PW-N](#) [RFF700B4-AIW-DNS](#) [DEM 800480O1](#) [VMH-PW-N](#)