






PRODUCT COUNTER-DRAWING APPROVAL SHEET

产品图纸确认书

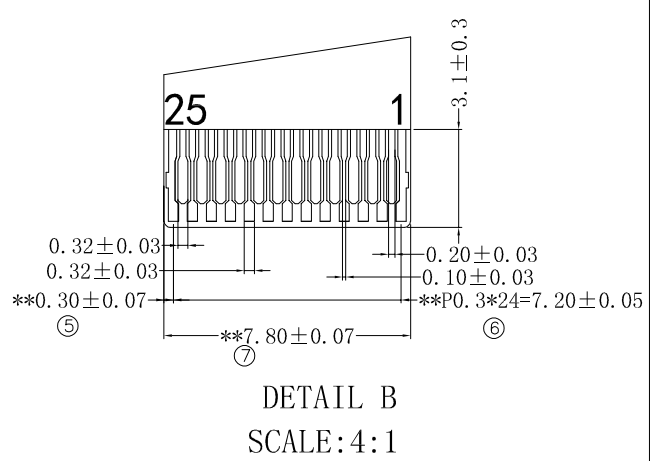
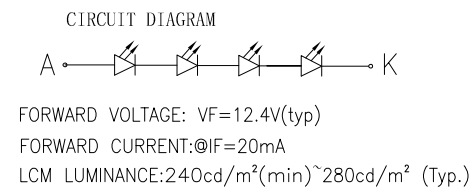
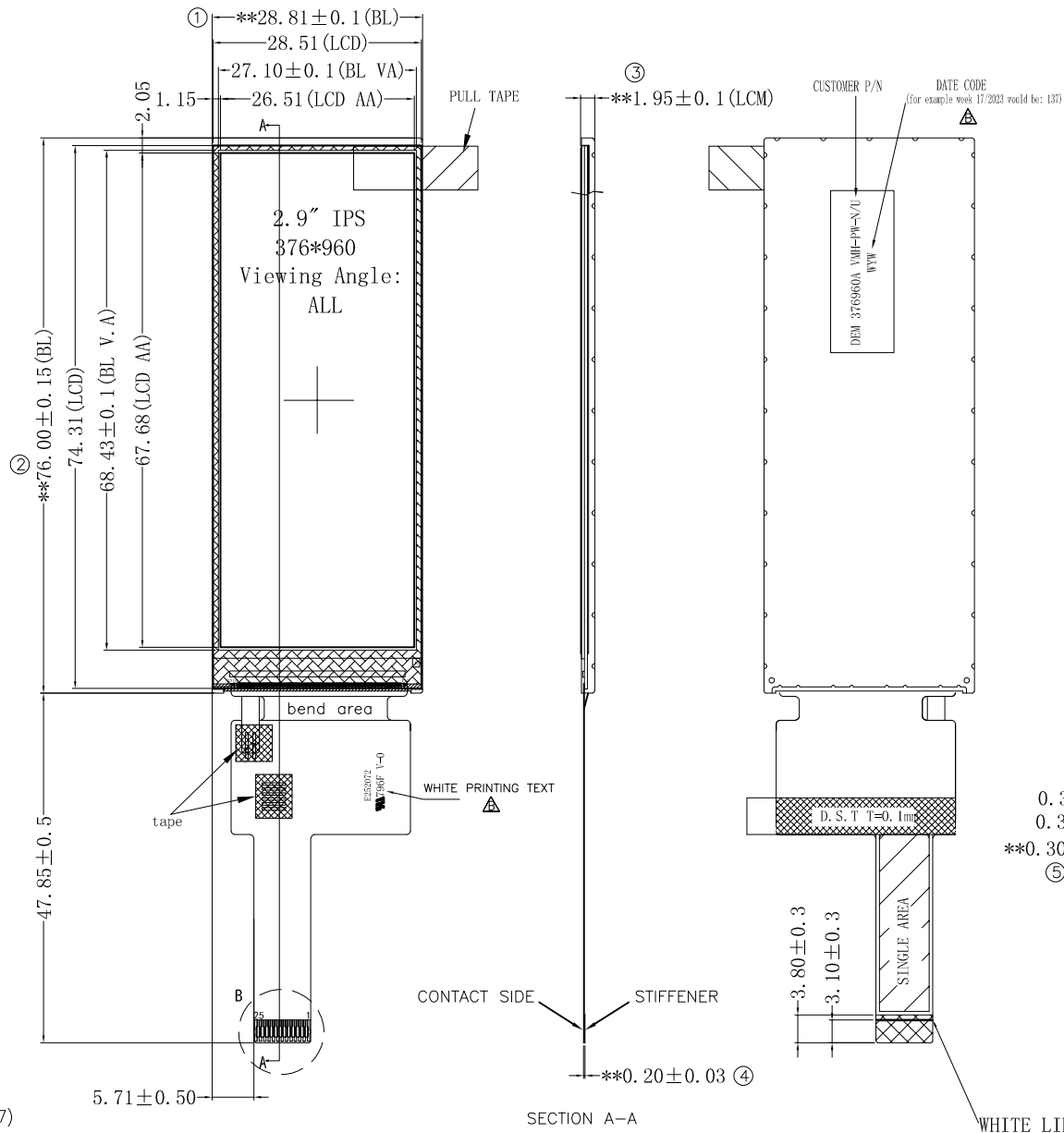
Ordering Number 订购型号	UNC-MFGF829002-01		Customer name 客户名称	DISPLAY ELEKTRONIK GMBH			
Internal Part Number 内部型号	UNC-MFGF829002-01		Customer P/N 客户型号	DEM 376960A VMH-PW-N/U			
Counter-drawing number 图纸名称	DWG-MFGF829002-01-VERB		Customer project name 客户项目名称				
Counter-drawing revision 图纸版本	B		No Use of Prohibited Substances defined in SOP-E-QS-009 and Only purchase Designated Raw Materials from Green Partners. (不使用SOP-E-QS-009 有害物质管控要求清单中禁止使用的物质; 指定原材料从绿色伙伴中购买) <input checked="" type="checkbox"/> YES <input type="checkbox"/> NO Customer Special Requirement:				
Counter-drawing revision date 图纸版本日期	2023-06-15						
Module type 模块类型	COG+FPC+BLU+PULL TAPE						
Display type 显示类型	TRANSMISSIVE/IPS/ Normally black						
Module dimension (WxHxT), mm 模块尺寸	28.81x76.0x1.95mm						
Number of dots 点阵个数	376 x R.G.B. x 960 DOTS						
Dot size (WxH), mm 点阵尺寸	0.135x0.135						
Display area (WxH), mm 显示区	26.51x67.68						
Viewing angle 视角	FREE						
Front polarizer type 表偏光片类型	Transmissive normal						
Back polarizer type 底偏光片类型	Transmissive normal						
Driver IC P/N 驱动 IC 型号	ST7701S-G5						
Driving scheme 驱动条件	N/A Duty 路数	N/A Bias 偏压					
LCD driving voltage (VLCD), V LCD 驱动电压	N/A						
Interface connector type 界面连接类型	FPC						
Operating temperature 工作温度	-20 °C ~ 70 °C						
Storage temperature 存储温度	-30 °C ~ 80 °C						
Prepared by: 作成	HD Li	Checked by: 检查		Checked by: 审核		Approved by: 批准	
Date/日期	2023-06-15		2023-06-15		2023-06-15		2023-06-15

Note: To shorten the prototype development leadtime, please return the signed drawing specification or any comments within 3 days.

CUSTOMER FEEDBACK INFORMATION/客户反馈信息		
CUSTOMER APPRAISE 客户评价	CUSTOMER'S REQUEST FOR CHANGES 客户要求改善意见	AUTOGRAPH 客户签字
<input type="checkbox"/> Drawing approved/图纸确认		
<input type="checkbox"/> Drawing not approved. Request for changes. 图纸不确认. 要求更改		

编号: F-RD-007-A0
保存期限: 产品失效期再加一个日历年

Pin	DESCRIPTION
1	GND
2	VCC
3	IOVCC
4	RESET
5	GND
6	D1P
7	D1N
8	GND
9	CLKP
10	CLKN
11	GND
12	DOP
13	DON
14	GND
15	TE
16	LEDA
17	NC
18	LEDK
19	NC
20	NC (TP-VCC)
21	NC (TP-RESET)
22	NC (TP-INT)
23	NC (TP-SDA)
24	NC (TP-SCL)
25	NC (GND)



NOTE:
 1. "◇"SPECIAL DIMENSION(PPK/CPK DATA NEEDED>1.67)
 2. "**"CONTROL DIMENSION
 3. No Use of Prohibited Substances defined in SOP-E-QS-009 and Only purchase Designated Raw Materials from Green Partners.
 4. DRIVER IC : ST7701S-G5

QTN No.	VIEWING DIRECTION	FREF	UNC-MFGF829002-01 Unicorn Electronic(ShenZhen)Co Ltd.			
CUSTOMER NAME	INTERFACE TYPE	MIP	ADD WHITE PRINTING TEXT,CHANGE DATE CODE	LHD	230615	UNSPECIFIED TOLERANCE: ±0.2
CUSTOMER P/N	op	20°C ~ 70°C	FIRST ISSU	LHD	230525	VERSION B
	Tst	-30°C ~ 80°C	REVISION RECORD	REVISED by	DATE	DWG-MFGF829002-01-VERB
			SYM	DATE	DATE	TFT MODULE DRAWING
			UNIT: mm	APPR'D BY	DATE	DRAWING BY
				Binggo	230615	SYQ
				CHECK BY	DATE	CHECK BY
				XLN	230615	XLN
				DATE	DATE	DATE
				230615	230615	230615
				LHD	LHD	LHD
				DATE	DATE	DATE
				230615	230615	230615
				1-1	1-1	1-1

X-ON Electronics

Largest Supplier of Electrical and Electronic Components

Click to view similar products for [TFT Displays & Accessories](#) category:

Click to view products by [Display Elektronik](#) manufacturer:

Other Similar products are found below :

[OAI-80038AA-2013-A](#) [HDA430T-3G1H](#) [T-51750GD065J-LW-BGN](#) [NB-ATT01](#) [NL8060BC26-35C](#) [TCG104SVLQAPNN-AN20](#) [OAI-80038AA-2008-A](#) [315-U004B15300](#) [EIC-LCD-1080P](#) [NL10276BC20-18C](#) [NLB121XG01L-01](#) [DEM 128160D](#) [TMH-PW-N](#) [RFE43BU-AIW-DNG](#) [RFC350X-AWW-DNG](#) [RFS390E-AWW-DNN](#) [DEM 480272G2](#) [VMX-PW-N \(A-TOUCH\)](#) [PH800480T013-ICA](#) [DEM 1024600N](#) [VMX-PW-N \(C-TOUCH\)](#) [DEM 1024600P](#) [VMH-PW-N \(C-TOUCH\)](#) [SM-RVT50HQHNWCA0](#) [DEM 240280A](#) [VMH-PW-N](#) [DEM 170320A](#) [VMH-PW-N](#) [PH240320T068-LAB08](#) [DEM 800480T1](#) [TMH-PW-N](#) [PH128128T041-LAA07](#) [DEM 800480Q4](#) [VMX-PW-N \(A-TOUCH\)](#) [PH480272T005-IAC02](#) [DEM 1024600P](#) [VMH-PW-N \(A-TOUCH\)](#) [DEM 800480T1](#) [TMH-PW-N \(C-TOUCH\)](#) [DEM 800480Q4](#) [VMX-PW-N](#) [DEM 800480T1](#) [TMH-PW-N \(A-TOUCH\)](#) [PH320240T-023-I02Q](#) [PH128800T004-ZZA01](#) [RFE430W-1YW-DBS](#) [DEM 1024600N](#) [VMX-PW-N \(A-TOUCH\)](#) [PH240320T074-ZAA01](#) [DEM 480480D](#) [VMX-PW-N \(C-TOUCH\)](#) [SM-RVT50HQSNWN00](#) [SM-RVT50HQHNWC00](#) [PH800480T033-ICB01](#) [RFE430W-AWW-DNN](#) [DEM 096096A](#) [VMH-PW-N](#) [RL0F00050000FGAAASA01](#) [PH320480T009-LAA01](#) [SM-RVT50HQSNWCA0](#) [SM-RVT50HQSNWC00-B](#) [PH320240T028-ZEA01](#) [RFE430W-1YW-DBN](#) [SM-RVT50HQLFWN00](#) [SM-RVT50HQHNWC00-B](#)