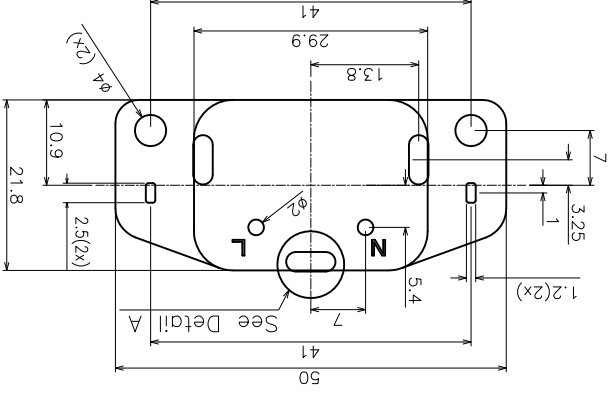
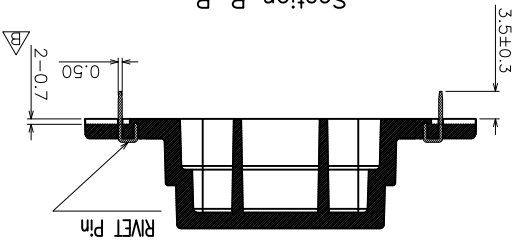
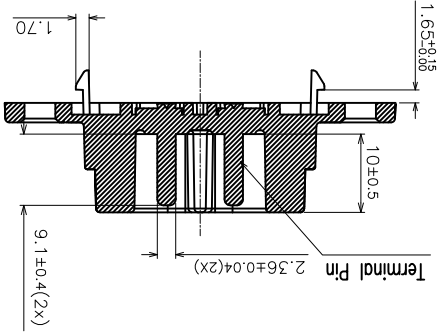
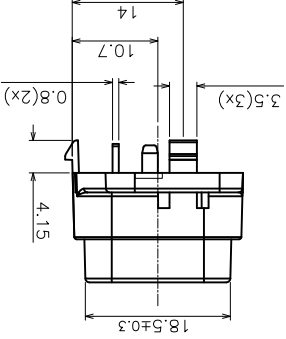
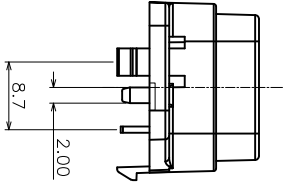
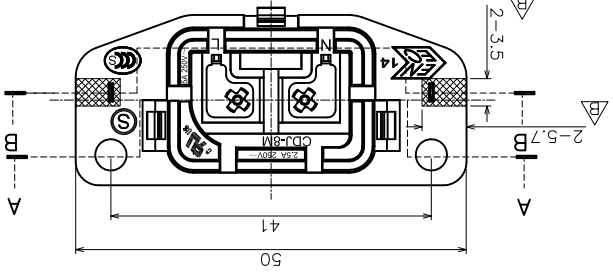
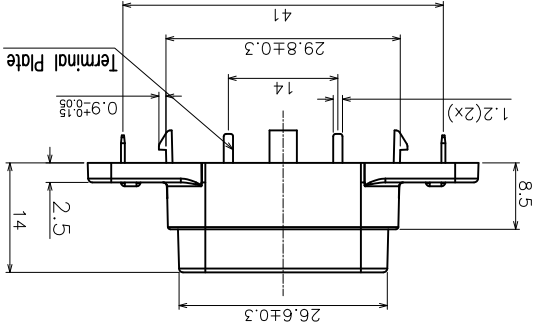
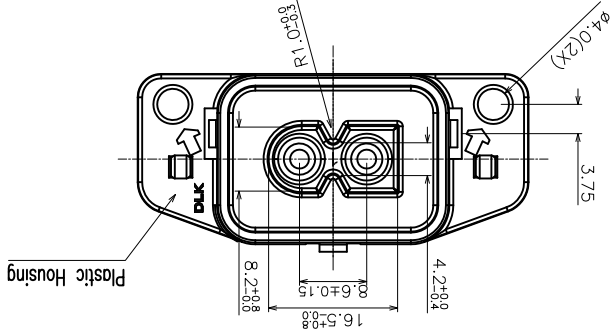


符合“DLK 环境管理物质技术标准”



产品净重: 8.75g

GENERAL TOLERANCE
UNLESS OTHERWISE NOTED



德力康电子科技有限公司
DLK DELIKANG ELECTRONICS TECHNOLOGY CO., LTD

工程变更通知单 ECN(DCN) NO.	版本 REV	日期 DATE	说明 DESCRIPTION	变更 CHANGE	承认 APPRO.
KSECN17075	B	20180104	依客户要求, U型端子处添加凹槽	注庆	王永辉
—	A	2015.08.10	NEW	—	—

名称 TITLE:	料号 PART NO.:	名称 PART NO.:	料号 PART NO.:
CDJ-8M+RIVET	ACT1MD-02BL4B016	CDJ-8M+RIVET	ACT1M-00-16

檔案名稱 FILE NAME:	檔案名稱 FILE NAME:	檔案名稱 FILE NAME:	檔案名稱 FILE NAME:
C-ACT1M-00-16	C-ACT1M-00-16	C-ACT1M-00-16	C-ACT1M-00-16

UNIT:	SCALE	SCALE	SCALE
mm	1:1	1:1	1:1

NO.	ITEM	Q'TY	DESCRIPTION	FINISH
4	RIVET	2	SPPC	TIN
3	SOLDERING	2	BRASS	MIST TIN
2	CONTACT	2	BRASS	NI
1	HOUSING	1	PA66 UL 94V-0	BLACK

NO.	ITEM	Q'TY	DESCRIPTION	FINISH
4	RIVET	2	SPPC	TIN
3	SOLDERING	2	BRASS	MIST TIN
2	CONTACT	2	BRASS	NI
1	HOUSING	1	PA66 UL 94V-0	BLACK

NO.	ITEM	Q'TY	DESCRIPTION	FINISH
4	RIVET	2	SPPC	TIN
3	SOLDERING	2	BRASS	MIST TIN
2	CONTACT	2	BRASS	NI
1	HOUSING	1	PA66 UL 94V-0	BLACK

NO.	ITEM	Q'TY	DESCRIPTION	FINISH
4	RIVET	2	SPPC	TIN
3	SOLDERING	2	BRASS	MIST TIN
2	CONTACT	2	BRASS	NI
1	HOUSING	1	PA66 UL 94V-0	BLACK

NO.	ITEM	Q'TY	DESCRIPTION	FINISH
4	RIVET	2	SPPC	TIN
3	SOLDERING	2	BRASS	MIST TIN
2	CONTACT	2	BRASS	NI
1	HOUSING	1	PA66 UL 94V-0	BLACK

NO.	ITEM	Q'TY	DESCRIPTION	FINISH
4	RIVET	2	SPPC	TIN
3	SOLDERING	2	BRASS	MIST TIN
2	CONTACT	2	BRASS	NI
1	HOUSING	1	PA66 UL 94V-0	BLACK

NO.	ITEM	Q'TY	DESCRIPTION	FINISH
4	RIVET	2	SPPC	TIN
3	SOLDERING	2	BRASS	MIST TIN
2	CONTACT	2	BRASS	NI
1	HOUSING	1	PA66 UL 94V-0	BLACK

NO.	ITEM	Q'TY	DESCRIPTION	FINISH
4	RIVET	2	SPPC	TIN
3	SOLDERING	2	BRASS	MIST TIN
2	CONTACT	2	BRASS	NI
1	HOUSING	1	PA66 UL 94V-0	BLACK

NO.	ITEM	Q'TY	DESCRIPTION	FINISH
4	RIVET	2	SPPC	TIN
3	SOLDERING	2	BRASS	MIST TIN
2	CONTACT	2	BRASS	NI
1	HOUSING	1	PA66 UL 94V-0	BLACK

NO.	ITEM	Q'TY	DESCRIPTION	FINISH
4	RIVET	2	SPPC	TIN
3	SOLDERING	2	BRASS	MIST TIN
2	CONTACT	2	BRASS	NI
1	HOUSING	1	PA66 UL 94V-0	BLACK

NO.	ITEM	Q'TY	DESCRIPTION	FINISH
4	RIVET	2	SPPC	TIN
3	SOLDERING	2	BRASS	MIST TIN
2	CONTACT	2	BRASS	NI
1	HOUSING	1	PA66 UL 94V-0	BLACK

NO.	ITEM	Q'TY	DESCRIPTION	FINISH
4	RIVET	2	SPPC	TIN
3	SOLDERING	2	BRASS	MIST TIN
2	CONTACT	2	BRASS	NI
1	HOUSING	1	PA66 UL 94V-0	BLACK

NO.	ITEM	Q'TY	DESCRIPTION	FINISH
4	RIVET	2	SPPC	TIN
3	SOLDERING	2	BRASS	MIST TIN
2	CONTACT	2	BRASS	NI
1	HOUSING	1	PA66 UL 94V-0	BLACK

NO.	ITEM	Q'TY	DESCRIPTION	FINISH
4	RIVET	2	SPPC	TIN
3	SOLDERING	2	BRASS	MIST TIN
2	CONTACT	2	BRASS	NI
1	HOUSING	1	PA66 UL 94V-0	BLACK

NO.	ITEM	Q'TY	DESCRIPTION	FINISH
4	RIVET	2	SPPC	TIN
3	SOLDERING	2	BRASS	MIST TIN
2	CONTACT	2	BRASS	NI
1	HOUSING	1	PA66 UL 94V-0	BLACK

NO.	ITEM	Q'TY	DESCRIPTION	FINISH
4	RIVET	2	SPPC	TIN
3	SOLDERING	2	BRASS	MIST TIN
2	CONTACT	2	BRASS	NI
1	HOUSING	1	PA66 UL 94V-0	BLACK

NO.	ITEM	Q'TY	DESCRIPTION	FINISH
4	RIVET	2	SPPC	TIN
3	SOLDERING	2	BRASS	MIST TIN
2	CONTACT	2	BRASS	NI
1	HOUSING	1	PA66 UL 94V-0	BLACK

NO.	ITEM	Q'TY	DESCRIPTION	FINISH
4	RIVET	2	SPPC	TIN
3	SOLDERING	2	BRASS	MIST TIN
2	CONTACT	2	BRASS	NI
1	HOUSING	1	PA66 UL 94V-0	BLACK

NO.	ITEM	Q'TY	DESCRIPTION	FINISH
4	RIVET	2	SPPC	TIN
3	SOLDERING	2	BRASS	MIST TIN
2	CONTACT	2	BRASS	NI
1	HOUSING	1	PA66 UL 94V-0	BLACK

NO.	ITEM	Q'TY	DESCRIPTION	FINISH
4	RIVET	2	SPPC	TIN
3	SOLDERING	2	BRASS	MIST TIN
2	CONTACT	2	BRASS	NI
1	HOUSING	1	PA66 UL 94V-0	BLACK

NO.	ITEM	Q'TY	DESCRIPTION	FINISH
4	RIVET	2	SPPC	TIN
3	SOLDERING	2	BRASS	MIST TIN
2	CONTACT	2	BRASS	NI
1	HOUSING	1	PA66 UL 94V-0	BLACK

NO.	ITEM	Q'TY	DESCRIPTION	FINISH
4	RIVET	2	SPPC	TIN
3	SOLDERING	2	BRASS	MIST TIN
2	CONTACT	2	BRASS	NI
1	HOUSING	1	PA66 UL 94V-0	BLACK

NO.	ITEM	Q'TY	DESCRIPTION	FINISH
4	RIVET	2	SPPC	TIN
3	SOLDERING	2	BRASS	MIST TIN
2	CONTACT	2	BRASS	NI
1	HOUSING	1	PA66 UL 94V-0	BLACK

NO.	ITEM	Q'TY	DESCRIPTION	FINISH
4	RIVET	2	SPPC	TIN
3	SOLDERING	2	BRASS	MIST TIN
2	CONTACT	2	BRASS	NI
1	HOUSING	1	PA66 UL 94V-0	BLACK

NO.	ITEM	Q'TY	DESCRIPTION	FINISH
4	RIVET	2	SPPC	TIN
3	SOLDERING	2	BRASS	MIST TIN
2	CONTACT	2	BRASS	NI
1	HOUSING	1	PA66 UL 94V-0	BLACK

NO.	ITEM	Q'TY	DESCRIPTION	FINISH
4	RIVET	2	SPPC	TIN
3	SOLDERING	2	BRASS	MIST TIN
2	CONTACT	2	BRASS	NI
1	HOUSING	1	PA66 UL 94V-0	BLACK

NO.	ITEM	Q'TY	DESCRIPTION	FINISH
4	RIVET	2	SPPC	TIN
3	SOLDERING	2	BRASS	MIST TIN
2	CONTACT	2	BRASS	NI
1	HOUSING	1	PA66 UL 94V-0	BLACK

NO.	ITEM	Q'TY	DESCRIPTION	FINISH
4	RIVET	2	SPPC	TIN
3	SOLDERING	2	BRASS	MIST TIN
2	CONTACT	2	BRASS	NI
1	HOUSING	1	PA66 UL 94V-0	BLACK

NO.	ITEM	Q'TY	DESCRIPTION	FINISH
4	RIVET	2	SPPC	TIN
3	SOLDERING	2	BRASS	MIST TIN
2	CONTACT	2	BRASS	NI
1	HOUSING	1	PA66 UL 94V-0	BLACK

NO.	ITEM	Q'TY	DESCRIPTION	FINISH
4	RIVET	2	SPPC	TIN
3	SOLDERING	2	BRASS	MIST TIN
2	CONTACT	2	BRASS	NI
1	HOUSING	1	PA66 UL 94V-0	BLACK

NO.	ITEM	Q'TY	DESCRIPTION	FINISH
4	RIVET	2	SPPC	TIN
3	SOLDERING	2	BRASS	MIST TIN
2	CONTACT	2	BRASS	NI
1	HOUSING	1	PA66 UL 94V-0	BLACK

NO.	ITEM	Q'TY	DESCRIPTION	FINISH
4	RIVET	2	SPPC	TIN
3	SOLDERING	2	BRASS	MIST TIN
2	CONTACT	2	BRASS	NI
1	HOUSING	1	PA66 UL 94V-0	BLACK

NO.	ITEM	Q'TY	DESCRIPTION	FINISH
4	RIVET	2	SPPC	TIN
3	SOLDERING	2	BRASS	MIST TIN
2	CONTACT	2	BRASS	NI
1	HOUSING	1	PA66 UL 94V-0	BLACK

NO.	ITEM	Q'TY	DESCRIPTION	FINISH
4	RIVET	2	SPPC	TIN
3	SOLDERING	2	BRASS	MIST TIN
2	CONTACT	2	BRASS	NI
1	HOUSING	1	PA66 UL 94V-0	BLACK

NO.	ITEM	Q'TY	DESCRIPTION	FINISH
4	RIVET	2	SPPC	TIN
3	SOLDERING	2	BRASS	MIST TIN
2	CONTACT	2	BRASS	NI
1	HOUSING	1	PA66 UL 94V-0	BLACK

NO.	ITEM	Q'TY	DESCRIPTION	FINISH
4	RIVET	2	SPPC	TIN
3	SOLDERING	2	BRASS	MIST TIN
2	CONTACT	2	BRASS	NI
1	HOUSING	1	PA66 UL 94V-0	BLACK

NO.	ITEM	Q'TY	DESCRIPTION	FINISH
4	RIVET	2	SPPC	TIN
3	SOLDERING	2	BRASS	MIST TIN
2	CONTACT	2	BRASS	NI
1	HOUSING	1	PA66 UL 94V-0	BLACK

NO.	ITEM	Q'TY	DESCRIPTION	FINISH
4	RIVET	2	SPPC	TIN
3	SOLDERING			

X-ON Electronics

Largest Supplier of Electrical and Electronic Components

Click to view similar products for [dlk](#) manufacturer:

Other Similar products are found below :

[ACT3KD-03BT3Y032HPF](#) [HDM41A-19BM4RN17](#) [HDM2TA-19BM4YN18](#) [U3A20D-09LM5YN2FHF](#) [DSB4ND-15BM1YN30](#) [DSB46C-15LS1YN37](#) [DPT21C-20BM1YN11](#) [ACT5MD-03BL3B003](#) [DVI2DD-24WM1YN4A](#) [DVI28D-24HS1YN4G](#) [U3B22D-09BM5YN20HF](#) [HDM2CB-21BM4YN13](#) [HDM2TA-19BM4YN10](#) [HDM2TA-19BM4YN17](#) [DSB4ND-15LM1YN30HF](#) [HDM41A-19BM4YN15](#) [U3C61B-24BM1RN11](#) [U3C61B-24BM1RN12](#) [DPT22A-20BM4YN11](#) [DPT22A-20BM4YN10](#) [DPT28A-20BM4YN10](#) [U3A20D-09BM4YN2EHF](#) [U3A20D-09BM5YN2HHF](#) [DVI28D-24HS1YN40](#) [DVI2AD-24HS1YN43HF](#) [DVI2DD-24WM1YN40](#) [HDM41A-19BM1RN16](#) [HDM45A-19BM4RN10](#) [U3A20D-09LM5YN2D](#) [U3A20D-09YM5RN21](#) [U3B22D-09BM4YN22HF](#) [U3B22D-09LM1YN24HF](#) [U3B23C-09BM5YN22](#) [U3A27C-09LM5YN25](#) [U3B23C-09LM5YN22](#) [U3B22D-09LM5YN21HF](#) [DSB4WD-15LM1YN34](#) [DSB6RD-15LM1YN32HF](#) [DSB6AC-15LM1YN32](#) [DSB4YC-15LM1YN3AHF](#) [DSB4ND-15BM1YN30HF](#) [DSB4MD-15BM1YN30HF](#) [DSB4WD-15LM1YN34HF](#) [DSB6RD-15LM1YN32](#) [DSB6RD-15BM1YN30HF](#) [DSB46C-15LS1YN37HF](#) [DSB6RD-15LM1YN30](#) [DSB47C-15BS1YN3G](#) [ACT1MD-02BL4B016](#) [ACT1SD-02BL4B007HP](#)