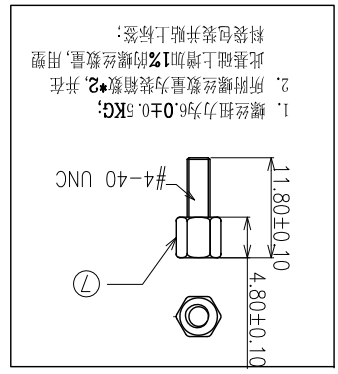
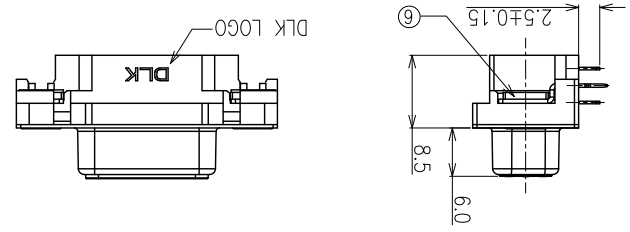
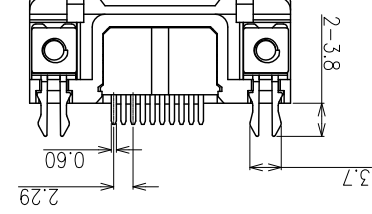
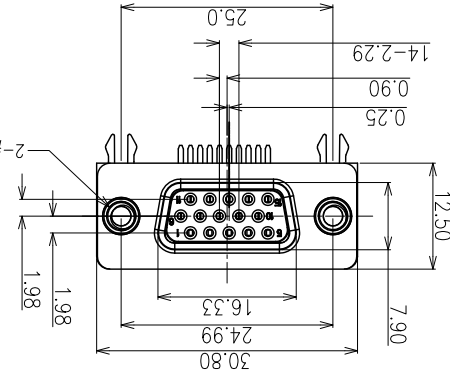
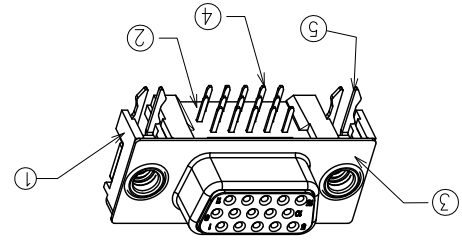


11	10	9	8	7	6	5	4	3	2	1
变更	说明	日期	版本	工程变更通知单	ECN(DCN) NO.	REV	DATE	DESCRIPTION	变更	核准
11	10	9	8	7	6	5	4	3	2	1

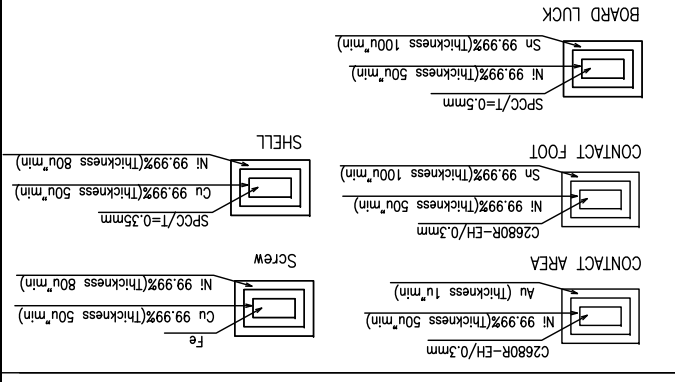
符合“DLK环境管理物质技术标准”

符合“IEC协会标准”



1. 螺丝扭力为 $0.0\pm 0.5\text{KG}$;
2. 所附螺丝数量为装箱数*2, 并在料袋包装并贴上标签;

- ① PRODUCTION CODE (产品编号): DSB6R-D-SUB-15PIN(3.0) CONN
- ② CHARACTER (特征): D: DIP TYPE
- ③ POSITION (位数): 15: 15PIN
- ④ COLOR OF HOUSING(本体颜色): L: BLUE COLOR
- ⑤ PLATING OF CONTACT(端子电镀): M1: GOLD FLASH AND TIN PLATED (镀金锡)
- ⑥ PACKAGE (包装): Y: TRAY PACKAGE
- ⑦ PLATING OF SHELL(外壳电镀): N3: NI PLATD
- ⑧ TYPE: 0: 无螺丝(后盖全封)
- 1: 铜螺丝(后盖全封)
- 2: 附螺丝(后盖全封)



电镀规格:

NO.	ITEM	QTY	DESCRIPTION	FINISH
1	Housing	1	PBT+GF30	UL94V-0,BLUE/Black
2	Cover	1	PBT+GF30	UL94V-0,BLUE/Black
3	Shell	1	FERROALLOY	NI PLATED
4	Contact	15	COPPER ALLOY	AU AND TIN PLATED
5	BOARD LUCK	2	FERROALLOY	TIN PLATED
6	RIVET	2	COPPER ALLOY	NI PLATED
7	SCREW	2	FERROALLOY	NI PLATED

UNLESS OTHERWISE NOTED
GENERAL TOLERANCE
Angle $\pm 5^\circ$
C 名称
D-SUB R/A 12.5H CONN
DLK DELIKANG ELECTRONICS TECHNOLOGY CO.,LTD
德力康电子科技有限公司

UNIT:	mm	SCALE	1:1	SHEET: 1 of 1
DRAWING	张志兵	CHECKED	严成旺	
FILE NAME:	C-DSB6R-00-00	PART NO.:	料号	DSB6RD-15*M1YN3*
TITLE:	D-SUB R/A 12.5H CONN			

X-ON Electronics

Largest Supplier of Electrical and Electronic Components

Click to view similar products for [dlk manufacturer](#):

Other Similar products are found below :

[ACT3KD-03BT3Y032HPF](#) [HDM41A-19BM4RN17](#) [HDM2TA-19BM4YN18](#) [U3A20D-09LM5YN2FHF](#) [DSB4ND-15BM1YN30](#) [DSB46C-15LS1YN37](#) [DPT21C-20BM1YN11](#) [ACT5MD-03BL3B003](#) [DVI2DD-24WM1YN4A](#) [DVI28D-24HS1YN4G](#) [U3B22D-09BM5YN20HF](#) [HDM2CB-21BM4YN13](#) [HDM2TA-19BM4YN10](#) [HDM2TA-19BM4YN17](#) [DSB4ND-15LM1YN30HF](#) [HDM41A-19BM4YN15](#) [U3C61B-24BM1RN11](#) [U3C61B-24BM1RN12](#) [DPT22A-20BM4YN11](#) [DPT22A-20BM4YN10](#) [DPT28A-20BM4YN10](#) [U3A20D-09BM4YN2EHF](#) [U3A20D-09BM5YN2HHF](#) [DVI28D-24HS1YN40](#) [DVI2AD-24HS1YN43HF](#) [DVI2DD-24WM1YN40](#) [HDM41A-19BM1RN16](#) [HDM45A-19BM4RN10](#) [U3A20D-09LM5YN2D](#) [U3A20D-09YM5RN21](#) [U3B22D-09BM4YN22HF](#) [U3B22D-09LM1YN24HF](#) [U3B23C-09BM5YN22](#) [U3A27C-09LM5YN25](#) [U3B23C-09LM5YN22](#) [U3B22D-09LM5YN21HF](#) [DSB4WD-15LM1YN34](#) [DSB6RD-15LM1YN32HF](#) [DSB6AC-15LM1YN32](#) [DSB4YC-15LM1YN3AHF](#) [DSB4ND-15BM1YN30HF](#) [DSB4MD-15BM1YN30HF](#) [DSB4WD-15LM1YN34HF](#) [DSB6RD-15LM1YN32](#) [DSB6RD-15BM1YN30HF](#) [DSB46C-15LS1YN37HF](#) [DSB6RD-15LM1YN30](#) [DSB47C-15BS1YN3G](#) [ACT1MD-02BL4B016](#) [ACT1SD-02BL4B007HP](#)