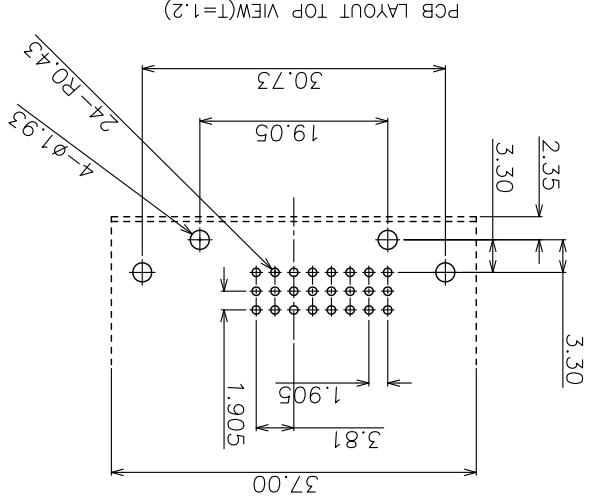
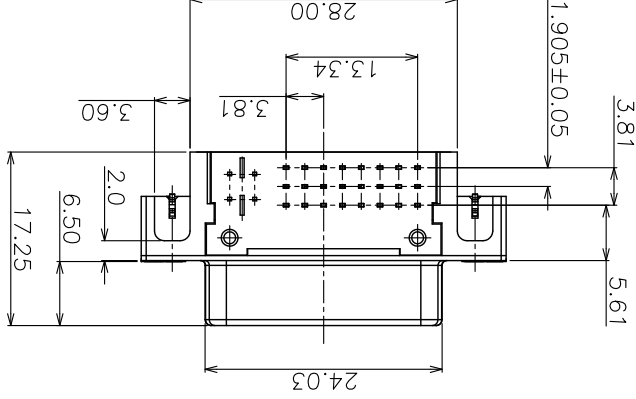
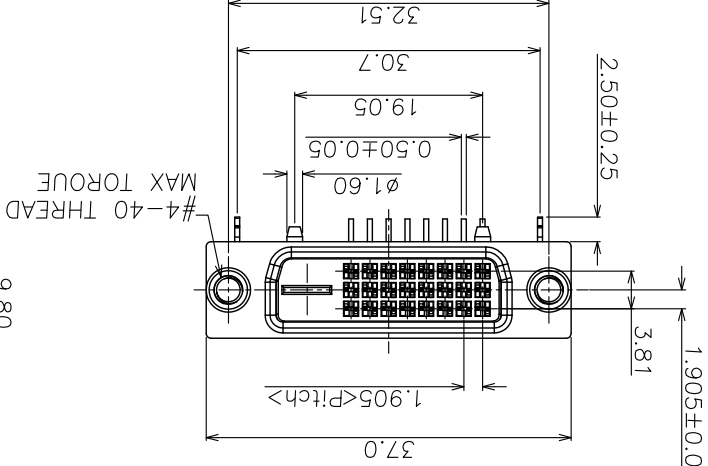
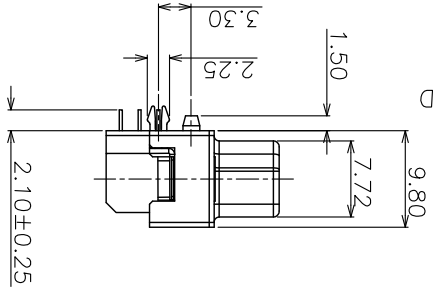
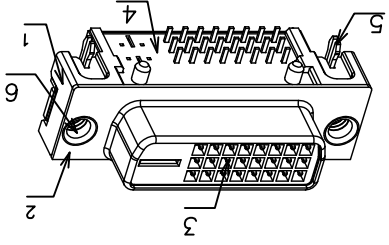


符合“DLK环境管理物质技术标准”

11	10	9	8	7	6	5	4	3	2	1
ECN(DCN) NO.	ECN(DCN) NO.	ECN(DCN) NO.	ECN(DCN) NO.	ECN(DCN) NO.	ECN(DCN) NO.	ECN(DCN) NO.	ECN(DCN) NO.	ECN(DCN) NO.	ECN(DCN) NO.	ECN(DCN) NO.
版本	版本	版本	版本	版本	版本	版本	版本	版本	版本	版本
日期	日期	日期	日期	日期	日期	日期	日期	日期	日期	日期
说明	说明	说明	说明	说明	说明	说明	说明	说明	说明	说明
变更	变更	变更	变更	变更	变更	变更	变更	变更	变更	变更
承认	承认	承认	承认	承认	承认	承认	承认	承认	承认	承认



- DVI2D D-24 W M1 Y N4 0
- ① PRODUCTION CODE (产品编码) :
 - ② CHARACTER (特征) :
 - ③ POSITION (位数) :
 - ④ COLOR OF HOUSING(本体颜色) :
 - ⑤ PLATING OF CONTACT(端子电镀) :
 - ⑥ PACKAGE (包装) :
 - ⑦ PLATING OF SHELL (铁壳电镀) :
 - ⑧ TYPE (规格) :
- W: WHITE
M1: Au AND MATE TIN PLATD
Y: TRAY PACKAGE
N4: NI PLATD
0: 无屏蔽无螺丝

11	10	9	8	7	6	5	4	3	2	1	
DELIKANG ELECTRONICS TECHNOLOGY CO.,LTD			DLK			DVI-D R/A CONN			DVI-D R/A CONN		
名称			档架名称			档架名称			档架名称		
TITLE:			FILE NAME:			FILE NAME:			FILE NAME:		
DVI-D R/A CONN			C-DVI2D-00-00			C-DVI2D-00-00			C-DVI2D-00-00		
料号			料号			料号			料号		
PART NO.			PART NO.			PART NO.			PART NO.		
DVI2D-24WM1YN40			DVI2D-24WM1YN40			DVI2D-24WM1YN40			DVI2D-24WM1YN40		
APPROVED			APPROVED			APPROVED			APPROVED		
王成旺			王成旺			王成旺			王成旺		
SCALE			SCALE			SCALE			SCALE		
1:1			1:1			1:1			1:1		
SHEET: 1 of 1			SHEET: 1 of 1			SHEET: 1 of 1			SHEET: 1 of 1		
UNIT: mm			UNIT: mm			UNIT: mm			UNIT: mm		
A4			A4			A4			A4		
±0.15			±0.15			±0.15			±0.15		
.XXX			.XXX			.XXX			.XXX		
±0.25			±0.25			±0.25			±0.25		
.XX			.XX			.XX			.XX		
±0.35			±0.35			±0.35			±0.35		
.X			.X			.X			.X		
±0.50			±0.50			±0.50			±0.50		
.X			.X			.X			.X		
Angle ±5°			Angle ±5°			Angle ±5°			Angle ±5°		
UNLESS OTHERWISE NOTED			UNLESS OTHERWISE NOTED			UNLESS OTHERWISE NOTED			UNLESS OTHERWISE NOTED		
GENERAL TOLERANCE			GENERAL TOLERANCE			GENERAL TOLERANCE			GENERAL TOLERANCE		
FINISH			FINISH			FINISH			FINISH		
UL94V-0			UL94V-0			UL94V-0			UL94V-0		
PBT			PBT			PBT			PBT		
SPOC			SPOC			SPOC			SPOC		
C2680(H65)			C2680(H65)			C2680(H65)			C2680(H65)		
Au PLATED			Au PLATED			Au PLATED			Au PLATED		
UL94V-0 Block			UL94V-0 Block			UL94V-0 Block			UL94V-0 Block		
Tin PLATED			Tin PLATED			Tin PLATED			Tin PLATED		
C2680(H65)			C2680(H65)			C2680(H65)			C2680(H65)		
PA66			PA66			PA66			PA66		
UL94V-0 Block			UL94V-0 Block			UL94V-0 Block			UL94V-0 Block		
NUT			NUT			NUT			NUT		
C3602			C3602			C3602			C3602		
NI PLATED			NI PLATED			NI PLATED			NI PLATED		
BOARD LUCK			BOARD LUCK			BOARD LUCK			BOARD LUCK		
C2680(H65)			C2680(H65)			C2680(H65)			C2680(H65)		
COVER			COVER			COVER			COVER		
PA66			PA66			PA66			PA66		
UL94V-0 Block			UL94V-0 Block			UL94V-0 Block			UL94V-0 Block		
Au PLATED			Au PLATED			Au PLATED			Au PLATED		
SPOC			SPOC			SPOC			SPOC		
NI PLATED			NI PLATED			NI PLATED			NI PLATED		
UL94V-0			UL94V-0			UL94V-0			UL94V-0		
PBT			PBT			PBT			PBT		
HOUSING			HOUSING			HOUSING			HOUSING		
NUT			NUT			NUT			NUT		
C3602			C3602			C3602			C3602		
NI PLATED			NI PLATED			NI PLATED			NI PLATED		
BOARD LUCK			BOARD LUCK			BOARD LUCK			BOARD LUCK		
C2680(H65)			C2680(H65)			C2680(H65)			C2680(H65)		
COVER			COVER			COVER			COVER		
PA66			PA66			PA66			PA66		
UL94V-0 Block			UL94V-0 Block			UL94V-0 Block			UL94V-0 Block		
Au PLATED			Au PLATED			Au PLATED			Au PLATED		
SPOC			SPOC			SPOC			SPOC		
NI PLATED			NI PLATED			NI PLATED			NI PLATED		
UL94V-0			UL94V-0			UL94V-0			UL94V-0		
PBT			PBT			PBT			PBT		
HOUSING			HOUSING			HOUSING			HOUSING		
NUT			NUT			NUT			NUT		
C3602			C3602			C3602			C3602		
NI PLATED			NI PLATED			NI PLATED			NI PLATED		

德力康电子科技有限公司



DELIKANG ELECTRONICS TECHNOLOGY CO.,LTD

X-ON Electronics

Largest Supplier of Electrical and Electronic Components

Click to view similar products for [HDMI, Displayport & DVI Connectors](#) category:

Click to view products by [DLK manufacturer](#):

Other Similar products are found below :

[1775247-3](#) [2-1932649-5](#) [30-1231](#) [30-528](#) [2069485-1](#) [30-504](#) [30-519](#) [30-542](#) [47648-2000](#) [2002-400](#) [TC142X](#) [1453G1](#) [769-103/021-000](#)
[1932649-1](#) [233-368NFG6-17NH](#) [G45A19071083HR](#) [233-360NF00-17NH](#) [CP30200GM3B](#) [HYC02-DVI29-371](#) [P136-06NHDV4KBP](#)
[CP30116](#) [LTWDID-29PFFS-SL8001](#) [46765-1301](#) [1211-0010-201-001](#) [47271-1004](#) [32-1121-BU](#) [DS1117-BN0-TME-002](#) [MHDR2A11004BP](#)
[EHHDMI2PKG](#) [1903015-3](#) [DS1114-BN0](#) [WPUSBAF](#) [500254-1931](#) [HDMR-19-01-F-SM](#) [47151-1071](#) [1747981-1](#) [0480372000](#) [0482580001](#)
[D121073-19](#) [472710111](#) [HDMI-S-RA6-SMT-MF-15](#) [P142-000-UP](#) [P134-003](#) [P120-08N](#) [KDMIX-FS1V-WS-B](#) [P142-000-UD](#) [10029449-](#)
[101RLF](#) [P132-000](#) [P130-000](#) [P142-06N-MICRO](#)