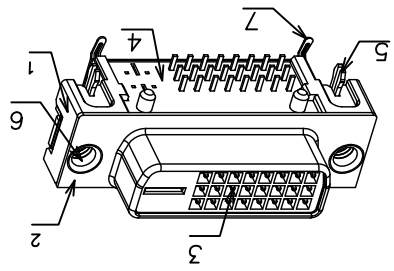
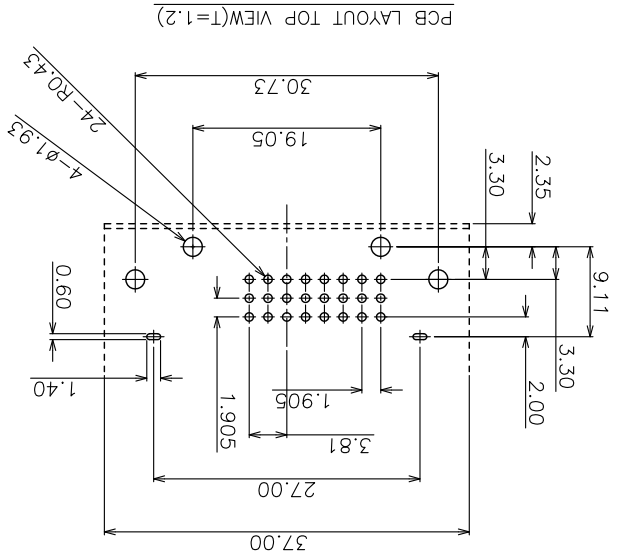
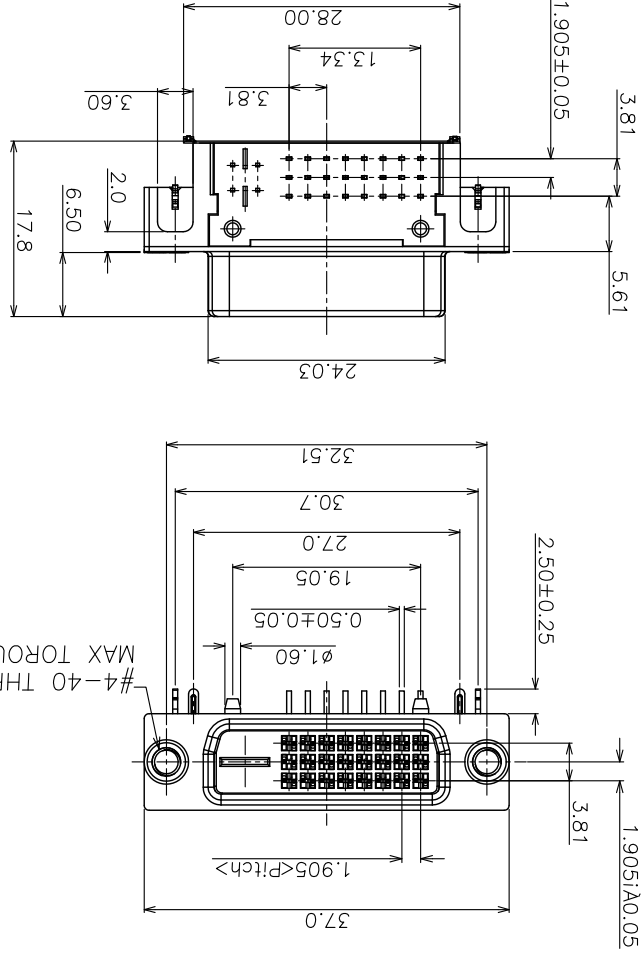


符合"DLK环境管理物质技术标准"

11	10	9	8	7	6	5	4	3	2	1
工程变更通知单	ECN(DCN) NO.	版本	日期	说明	DESCRIPTION	变更	承认			
KSECN15006	A	20150309			NEW RELEASE					



DV12D-D-24 W M1 Y N4 A

① PRODUCTION CODE (产品编码) :

DV12D: DVI SERIES

② CHARACTER (特征) :

D: DIP TYPE

③ POSITION (位数) :

24: 24PIN

④ COLOR OF HOUSING(本体颜色) :

W: WHITE

⑤ PLATING OF CONTACT(端子电镀) :

M1: Au AND MATE TIN PLATD

⑥ PACKAGE (包装) :

Y: TRAY PACKAGE

⑦ PLATING OF SHELL(铁壳电镀) :

N4: NI PLATD

⑧ TYPE (规格) :

A: 带屏蔽无螺丝

德力康电子科技有限公司		DLK		DELIKANG ELECTRONICS TECHNOLOGY CO.,LTD	
料号	料号	名称	名称	料号	料号
DV1-D R/A CONN	DVI-D R/A CONN	DVI-D R/A CONN	DVI-D R/A CONN	DV1DD-24WM1YN4A	DV1DD-24WM1YN4A
UNIT: mm	UNIT: mm	UNIT: mm	UNIT: mm	UNIT: mm	UNIT: mm
SCALE 1:1	SCALE 1:1	SCALE 1:1	SCALE 1:1	SCALE 1:1	SCALE 1:1
CHECKED	CHECKED	CHECKED	CHECKED	CHECKED	CHECKED
王永辉	王永辉	王永辉	王永辉	王永辉	王永辉
DRAWING	DRAWING	DRAWING	DRAWING	DRAWING	DRAWING
档案名称	档案名称	档案名称	档案名称	档案名称	档案名称
C-DV12D-00-0A	C-DV12D-00-0A	C-DV12D-00-0A	C-DV12D-00-0A	C-DV12D-00-0A	C-DV12D-00-0A
FILE NAME:	FILE NAME:	FILE NAME:	FILE NAME:	FILE NAME:	FILE NAME:
±0.35	±0.35	±0.35	±0.35	±0.35	±0.35
.X	.X	.X	.X	.X	.X
±0.50	±0.50	±0.50	±0.50	±0.50	±0.50
X	X	X	X	X	X
±0.25	±0.25	±0.25	±0.25	±0.25	±0.25
.XX	.XX	.XX	.XX	.XX	.XX
±0.15	±0.15	±0.15	±0.15	±0.15	±0.15
.XXX	.XXX	.XXX	.XXX	.XXX	.XXX
A4	A4	A4	A4	A4	A4
GENERAL TOLERANCE UNLESS OTHERWISE NOTED	GENERAL TOLERANCE UNLESS OTHERWISE NOTED	GENERAL TOLERANCE UNLESS OTHERWISE NOTED	GENERAL TOLERANCE UNLESS OTHERWISE NOTED	GENERAL TOLERANCE UNLESS OTHERWISE NOTED	GENERAL TOLERANCE UNLESS OTHERWISE NOTED
Angle ±5°	Angle ±5°	Angle ±5°	Angle ±5°	Angle ±5°	Angle ±5°

NO.	ITEM	QTY	DESCRIPTION	FINISH
1	HOUSING	1	PBT	UL94V-0
2	SHELL	1	SPCC	NI PLATED
3	CONTACT	24	C2680(H65)	Au PLATED
4	COVER	1	PA66	UL94V-0 Block
5	BOARD LUCK	2	C2680(H65)	Tin PLATED
6	NUT	2	C3602	NI PLATED
7	SHIELDING CASE	1	SPCC	NI PLATED

X-ON Electronics

Largest Supplier of Electrical and Electronic Components

Click to view similar products for [HDMI, Displayport & DVI Connectors](#) category:

Click to view products by [DLK manufacturer](#):

Other Similar products are found below :

[1775247-3](#) [2-1932649-5](#) [30-1231](#) [30-528](#) [2069485-1](#) [30-504](#) [30-519](#) [30-542](#) [47648-2000](#) [2002-400](#) [TC142X](#) [1453G1](#) [769-103/021-000](#)
[1932649-1](#) [233-368NFG6-17NH](#) [G45A19071083HR](#) [233-360NF00-17NH](#) [CP30200GM3B](#) [HYC02-DVI29-371](#) [P136-06NHDV4KBP](#)
[CP30116](#) [LTWDID-29PFFS-SL8001](#) [46765-1301](#) [1211-0010-201-001](#) [47271-1004](#) [32-1121-BU](#) [DS1117-BN0-TME-002](#) [MHDR2A11004BP](#)
[EHHDMI2PKG](#) [1903015-3](#) [DS1114-BN0](#) [WPUSBAF](#) [500254-1931](#) [HDMR-19-01-F-SM](#) [47151-1071](#) [1747981-1](#) [0480372000](#) [0482580001](#)
[D121073-19](#) [472710111](#) [HDMI-S-RA6-SMT-MF-15](#) [P142-000-UP](#) [P134-003](#) [P120-08N](#) [KDMIX-FS1V-WS-B](#) [P142-000-UD](#) [10029449-](#)
[101RLF](#) [P132-000](#) [P130-000](#) [P142-06N-MICRO](#)