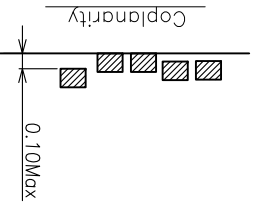
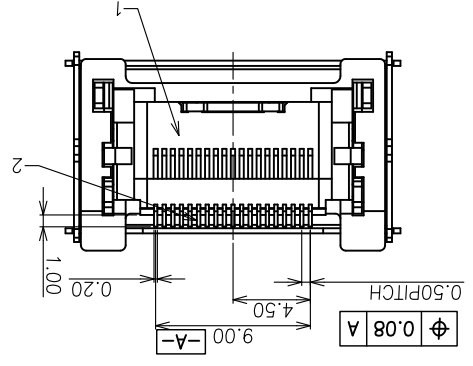
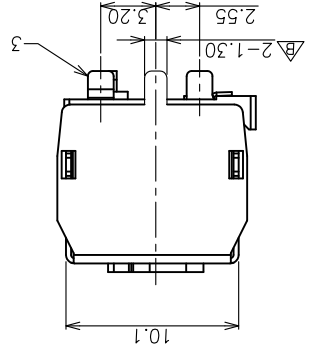
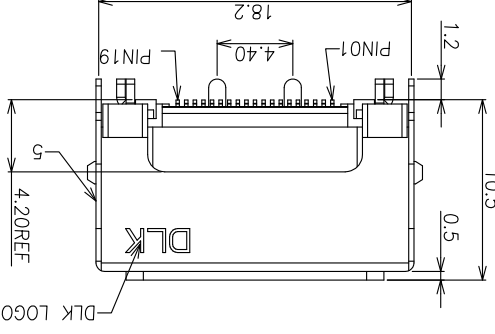
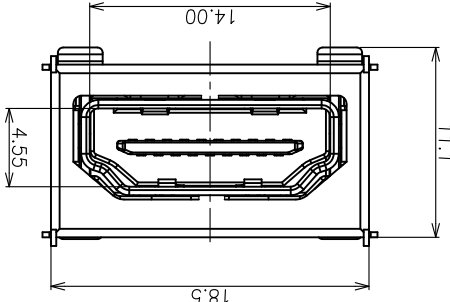
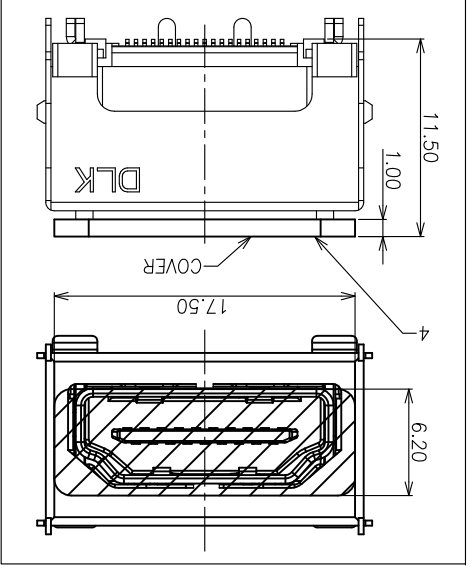
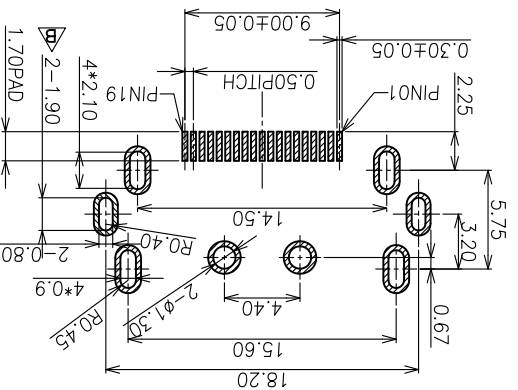


工程变更通知单 ECN (DCN) NO.	KSECN16048	版本	A	20160711	日期	NEW	说明	更改	承认
PCB被脚位尺寸由1.30修改为1.30 1. 屏蔽罩脚位尺寸由1.30修改为1.30	KSECN16062	版本	B	20160918	日期	NEW	2. 依据物修改PCB被脚位尺寸由2.30改为1.90	变更	承认



HDM4L B-19 B G2 R N3 0  
 ① ② ③ ④ ⑤ ⑥ ⑦  
 ① PRODUCTION CODE:  
 HDM2: HDM1 SERIES  
 ② CHARACTER:  
 B: STRAIGHT ANGLE TYPE  
 ③ POSITION:  
 19: 19PIN  
 ④ COLOR OF HOUSING:  
 B: BLACK COLOR  
 ⑤ PLATING OF CONTACT:  
 G2: G/F PLATED  
 ⑥ PACKAGE(包装):  
 R: TAPE&REEL PACKAGE  
 ⑦ PLATING OF SHELL:  
 N3: NI PLATING

PCB LAYOUT(TOP VIEW T1.2)



1: MATERIAL:  
 HOUSING AND STOPPLE: THERMOPLASTIC  
 UL94V-0 BLACK  
 CONTACT: COPPER ALLOY, T=0.2mm  
 SHELL: COPPER ALLOY, T=0.5mm  
 2: MECHANICAL CHARACTERISTICS:  
 INSERTION FORCE: 4.1N MAX  
 EXTRCTION FORCE: 9.8-39.2N  
 DURABILITY: 10000 CYCLES  
 TERMINAL RETENTION: 0.5kgf MIN  
 OPERATING TEMPERATURE: -20°C---+85°C  
 STORAGE TEMPERATURE: -20°C---+65°C  
 3: ELECTRICAL CHARACTERISTICS:  
 RATING CURRENT: 0.5A  
 RATING VOLTAGE: 40V  
 CONTACT RESISTANCE: 10mΩ MAX  
 INSULATION RESISTANCE:  
 100MΩ MIN AT 500VAC  
 DIELECTRIC WITHSTANDING VOLTAGE:  
 500VAC/1MINUTE

NO.	ITEM	QTY	DESCRIPTION	FINISH
1	HOUSING	1	LCP	UL94V-0, BLACK
2	CONTACT	19	COPPER ALLOY	PLATED Au
3	SHELL	1	SPPC	PLATED NI
4	STOPPLE	1	LCP	UL94V-0, BLACK
5	SHIELD CASE	1	SPTe	TIN PLATED

UNLESS OTHERWISE NOTED	Angle ±1°	±0.30	X.	±0.25	.X	±0.15	.XX	±0.10	.XXX	A4
GENERAL TOLERANCE	±1°	±0.30	X.	±0.25	.X	±0.15	.XX	±0.10	.XXX	A4

名称	料号	档案名称	GP.LU	UNIT:	mm	SCALE	1:1	SHEET: 1 of 1
标题:	HDMI A/F V/T 10.5H 19PIN CONN.	C-HDM4L-00-00	GP.LU	DRAWING	mm	CHECKED	1:1	SHEET: 1 of 1
名称	HDMI A/F V/T 10.5H 19PIN CONN.	C-HDM4L-00-00	GP.LU	DRAWING	mm	CHECKED	1:1	SHEET: 1 of 1
标题:	HDMI A/F V/T 10.5H 19PIN CONN.	C-HDM4L-00-00	GP.LU	DRAWING	mm	CHECKED	1:1	SHEET: 1 of 1

DLK 德力康电子科技有限公司  
 DELIKANG ELECTRONICS TECHNOLOGY CO.,LTD

A B C D E F G H I J

## X-ON Electronics

Largest Supplier of Electrical and Electronic Components

*Click to view similar products for [HDMI, Displayport & DVI Connectors](#) category:*

*Click to view products by [DLK manufacturer](#):*

Other Similar products are found below :

[1775247-3](#) [2-1932649-5](#) [30-1231](#) [30-528](#) [2069485-1](#) [30-504](#) [30-519](#) [30-542](#) [47648-2000](#) [2002-400](#) [TC142X](#) [1453G1](#) [769-103/021-000](#)  
[1932649-1](#) [233-368NFG6-17NH](#) [G45A19071083HR](#) [233-360NF00-17NH](#) [CP30200GM3B](#) [HYC02-DVI29-371](#) [P136-06NHDV4KBP](#)  
[CP30116](#) [LTWDID-29PFFS-SL8001](#) [46765-1301](#) [1211-0010-201-001](#) [47271-1004](#) [32-1121-BU](#) [DS1117-BN0-TME-002](#) [MHDR2A11004BP](#)  
[EHHDMI2PKG](#) [1903015-3](#) [DS1114-BN0](#) [WPUSBAF](#) [500254-1931](#) [HDMR-19-01-F-SM](#) [47151-1071](#) [1747981-1](#) [0480372000](#) [0482580001](#)  
[D121073-19](#) [472710111](#) [HDMI-S-RA6-SMT-MF-15](#) [P142-000-UP](#) [P134-003](#) [P120-08N](#) [KDMIX-FS1V-WS-B](#) [P142-000-UD](#) [10029449-](#)  
[101RLF](#) [P132-000](#) [P130-000](#) [P142-06N-MICRO](#)