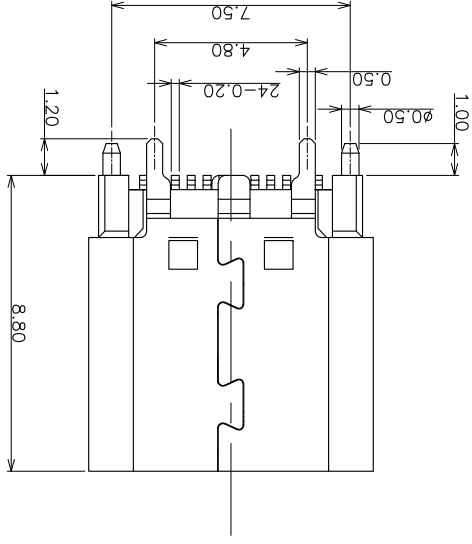
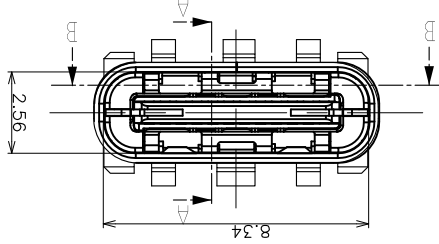
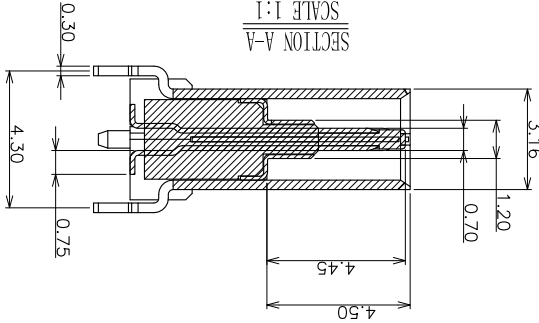
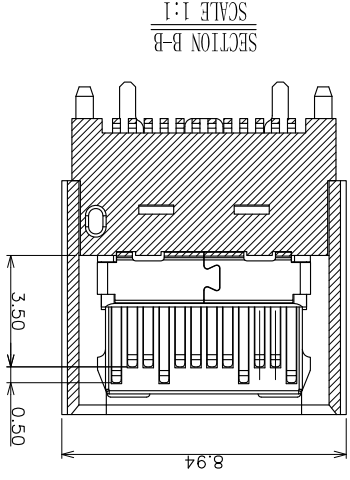
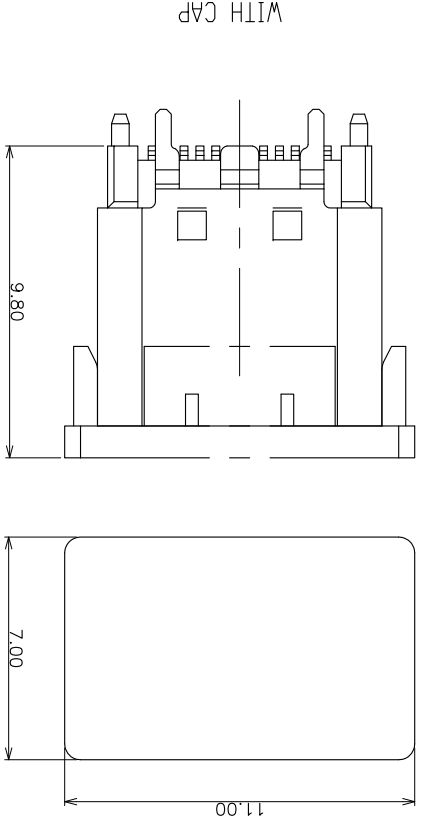


| | | | | |
|----------------|---|----------|-----|--|
| 工程变更通知单 版本号 | A | 20191028 | NEW | |
| ECN(DCN) NO. | | | | |
| REV | | | | |
| 日期 | | | | |
| 说明 | | | | |
| DESCRIPTION | | | | |
| CHANGE APPRO. | | | | |
| 承认 | | | | |

1. MATERIAL:
MOLDING: LCP UL94 V-0, BLACK
CONTACT: C7025 (T=0.15mm).
GOLD FLASH ON CONTACT AREA,
GOLD FLASH ON SOLDER AREA,
30" NICKEL PLATING OVER ALL.
EMI SHILD: SUS430, T=0.12±0.03mm
LATCH: SUS430, T=0.15±0.03mm

2. MECHANICAL:
INSERTION: 5~20N.
EXTRACTION: 8~20N.
DURABILITY: 10000 CYCLES
3. ELECTRICAL:
CURRENT RATING: 5.0A MAX
VOLTAGE: 5VAC MAX, 0.25A MIN FOR OTHER
WITHSTANDING VOLTAGE: 100V AC.
CONTACT RESISTANCE: 40mΩ MAX.
INSULATION RESISTANCE: 100MΩ MIN.

4. ENVIRONMENTAL
TEMPERATURE RANGE -55°C ~ +85°C



| | | |
|--|-------|-------|
| GENERAL TOLERANCE UNLESS OTHERWISE NOTED | Angle | ±1° |
| | ±0.30 | X |
| | ±0.25 | .X |
| | ±0.20 | .XX |
| | ±0.10 | .XXX |
| | | ±0.10 |

| | | | | |
|---|------------|----------------|---------------------------|-------------------|
| DLK 德力康电子科技有限公司 DELIKANG ELECTRONICS TECHNOLOGY CO., LTD | C 名称 | | USB C TYPE F SMT 直立式8.80H | |
| | TITLE | 料号 | PART NO. | UC3C61B-24BM1RN11 |
| | 檔案名称 | C-UC3C61-00-01 | CHECKED | 1:1 |
| | DRAWING | 王永辉 | APPROVED | 11 |
| | UNIT: | mm | SCALE | 1:1 |
| | FILE NAME: | C-UC3C61-00-01 | CHECKED | 11 |
| | 料号 | PART NO. | APPROVED | 11 |
| | 檔案名称 | C-UC3C61-00-01 | APPROVED | 11 |
| | UNIT: | mm | SCALE | 1:1 |
| | DRAWING | 王永辉 | APPROVED | 11 |
| | 檔案名称 | C-UC3C61-00-01 | APPROVED | 11 |
| | 料号 | PART NO. | APPROVED | 11 |
| | 檔案名称 | C-UC3C61-00-01 | APPROVED | 11 |

X-ON Electronics

Largest Supplier of Electrical and Electronic Components

Click to view similar products for [USB Connectors](#) category:

Click to view products by [DLK](#) manufacturer:

Other Similar products are found below :

[10033527-N3112MLF](#) [17-210561](#) [GMCB05B11124H1EU](#) [17-200931](#) [65-647-8-BK-BU](#) [690-010-295-484](#) [73725-1191BLF](#) [950](#) [E8144-B01021-L](#) [A-USB A-LP-SMT-C](#) [A-USB B-TOP-C](#) [MUSBA511N5](#) [MUSBB15131](#) [MUSBC111M5](#) [MUSBD11135](#) [217450-1](#) [CA 6 W LD](#)
[896-30-004-00-000000](#) [KUSBVX-BS1N-W30](#) [KUSBX-AP-KIT-SCBLK](#) [KUSBX-AS2N-W](#) [KUSBX-SMT2AP1S-W](#) [KUSBX-SMTAS1NBTR](#) [KUSBX-SMTBS1NBTR](#) [30-498-6](#) [SK-60A-2](#) [17-200261](#) [17-210051](#) [1734082-1](#) [FK-37-32SL](#) [30-1574](#) [30-470](#) [30-489](#) [30-541](#) [30-572-3](#) [30-9503](#) [M9177/2-1](#) [MAB 5 S](#) [MIKROE-1451](#) [33UBBR-04SW11R](#) [USBFTV2PEM2G](#) [USBFTVC6ZN](#) [USBFTVSCCG](#)
[KUSBX-AS2N-W30](#) [KUSBX-SLAS1N-W](#) [KUSBX-SLAS1N-W30](#) [1-1734084-2](#) [E8110-001-01](#) [MUSBC11135](#) [NK-27-32SL](#)