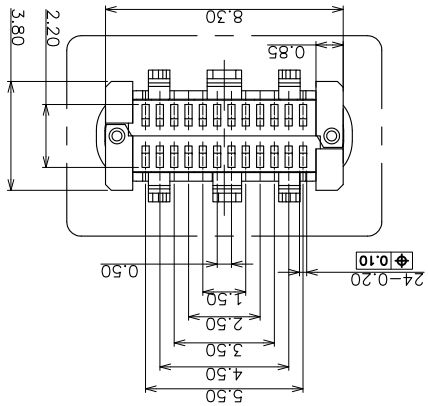
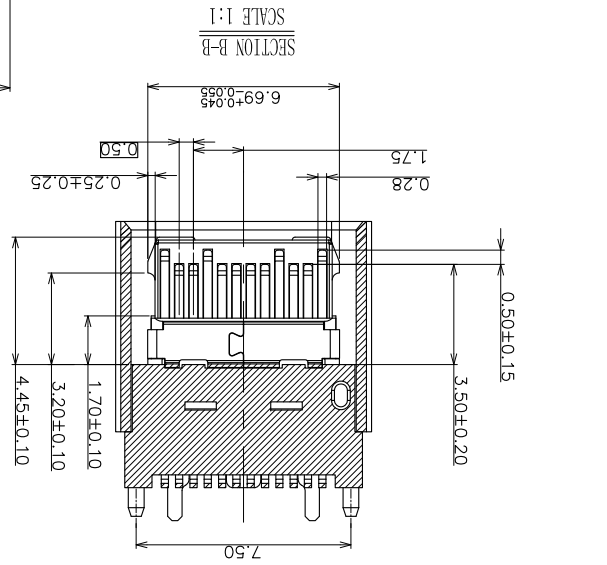
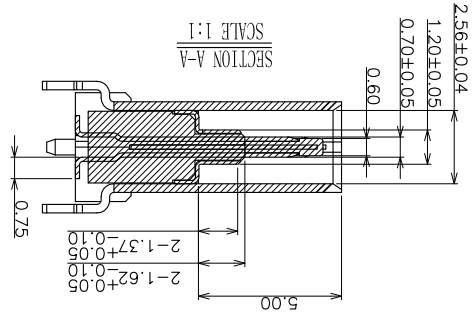
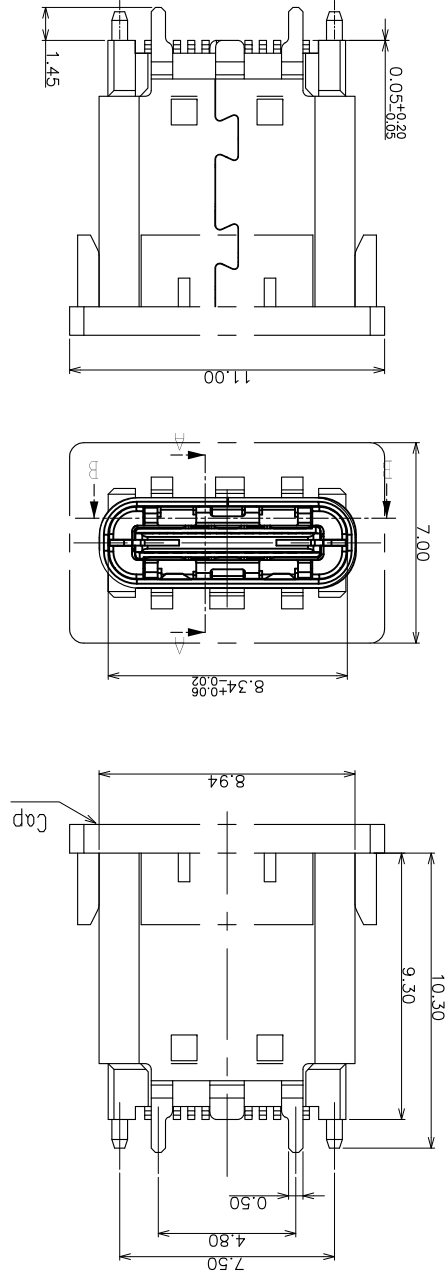


符合“DLK环境管理物质技术标准”，符合USB协会规范要求



1. MATERIAL: MOLDING: LCP UL94 V-0, BLACK CONTACT: C7025 (T=0.15mm). GOLD FLASH ON CONTACT AREA, GOLD FLASH ON SOLDER AREA, SHELL: SUS430,T=0.30mm 30" NICKEL PLATING OVER ALL. EMI SHILD:SUS430,T=0.12±0.03mm LATCH:SUS430,T=0.15±0.03mm
2. MECHANICAL: INSERTION: 5~20N. EXTRACTION: 8~20N. DURABILITY: 10000 CYCLES
3. ELECTRICAL: CURRENT RATING: 5.0A MAX VOLTAGE: 5VAC MAX,0.25A MIN FOR OTHER WITHSTANDING VOLTAGE: 100V AC. CONTACT RESISTANCE: 40mΩ MAX. INSULATION RESISTANCE: 100MΩ MIN.
4. ENVIRONMENTAL: TEMPERATURE RANGE -55°C ~ +85°C

GENERAL TOLERANCE UNLESS OTHERWISE NOTED	
Angle	±1°
FILE NAME	X
DRAWING	.XX
SCALE	1:1
UNIT	mm

名称		C-U3C61-00-02	
料号		C-U3C61-00-02	
PART NO		U3C61B-24BM1RN12	
DRAWING		王永辉	
CHECKED		—	
APPROVED		—	
SHEET: 1 of 2		—	

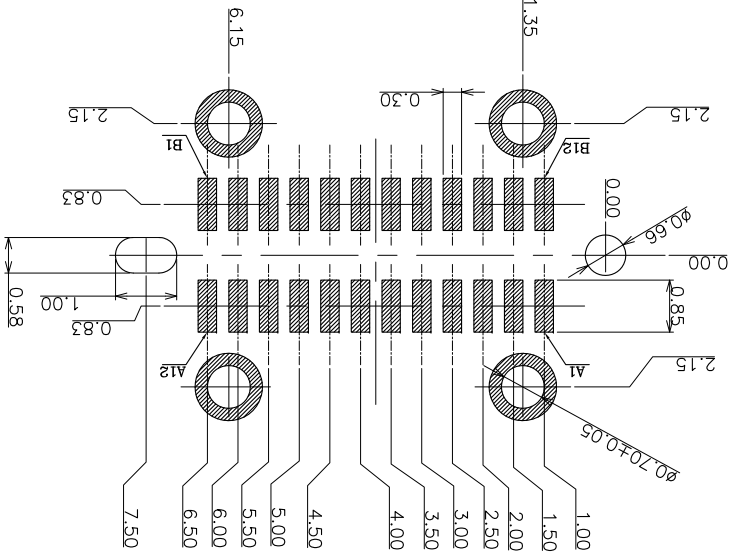
工程变更通知单	版本	日期	说明	变更	承认
KSECN19059	A	20191028	NEW	—	—
ECN(DCN) NO.	REV	DATE	DESCRIPTION	CHANGE	APPRO

DLK 德力康电子科技有限公司
DELIKANG ELECTRONICS TECHNOLOGY CO.,LTD

USB C TYPE F SMT 直立式9.30H

USB TYPE-C FULL-FEATURED RECEPTACLE INTERFACE PIN ASSIGNMENTS

Signal Name	Description	PN	Signal Name	Description
A1	Ground return	B12	GND	Ground return
A2	SSTxp1 SuperSpeed TX	B11	SSTxp1	SuperSpeed TX differential pair
A3	SSTxn1 first SuperSpeed TX differential pair	B10	SSTxn1	first SuperSpeed TX differential pair
A4	Vbus	B9	Vbus	Bus Power
A5	CC1	B8	CC1	Configuration Channel
A6	Dp1	B7	Dp1	USB 2.0 differential pair-Position 1
A7	Dn1	B6	Dn1	Negative half of the USB 2.0 differential pair-Position 1
A8	RFU1	B5	RFU1	Reserved for Future Use (RFU)
A9	Vbus	B4	Vbus	Bus Power
A10	SSRXn2	B3	SSRXn2	Negative half of second SuperSpeed RX differential pair
A11	SSRXn2	B2	SSRXn2	Positive half of second SuperSpeed RX differential pair
A12	GND	B1	GND	Ground return



RECOMMENDED P.C.B. LAYOUT (T:1.00mm)
TOLERANCE UNSPECIFIED ±0.05mm

GENERAL TOLERANCE UNLESS OTHERWISE NOTED	
Angle	±1°
±0.38	X
±0.30	.X
±0.25	.XX
±0.10	.XXX
A4	

C	名称	名称	名称	名称	名称	
	TITLE	USB C TYPE F SMT 直立式 9.30H	料号	C-U3C61-00-02	PART NO.	U3C61B-24BM1RN12
I	DLK DELIKANG ELECTRONICS TECHNOLOGY CO.,LTD	德力康电子科技有限公司	DLK	DELIKANG ELECTRONICS TECHNOLOGY CO.,LTD		
		名称	名称	名称	名称	
		FILE NAME.	C-U3C61-00-02	档案名称	C-U3C61-00-02	
		DRAWING	王永辉	DRAWING	王永辉	
J	SCALE	1:1	CHECKED	——	APPROVED	
		SHEET: 2 of 2	11			

工程变更通知单	版本	日期	说明	变更	承认
KSECN19059	A	20191028	NEW	——	——
ECN(DCN) NO.	REV	DATE	DESCRIPTION	CHANGE	APPRO

X-ON Electronics

Largest Supplier of Electrical and Electronic Components

Click to view similar products for [USB Connectors](#) category:

Click to view products by [DLK](#) manufacturer:

Other Similar products are found below :

[10033527-N3112MLF](#) [17-210561](#) [GMCB05B11124H1EU](#) [17-200931](#) [65-647-8-BK-BU](#) [690-010-295-484](#) [73725-1191BLF](#) [950](#) [E8144-B01021-L](#) [A-USB A-LP-SMT-C](#) [A-USB B-TOP-C](#) [MUSBA511N5](#) [MUSBB15131](#) [MUSBC111M5](#) [MUSBD11135](#) [217450-1](#) [CA 6 W LD](#)
[896-30-004-00-000000](#) [KUSBVX-BS1N-W30](#) [KUSBX-AP-KIT-SCBLK](#) [KUSBX-AS2N-W](#) [KUSBX-SMT2AP1S-W](#) [KUSBX-SMTAS1NBTR](#) [KUSBX-SMTBS1NBTR](#) [30-498-6](#) [SK-60A-2](#) [17-200261](#) [17-210051](#) [1734082-1](#) [FK-37-32SL](#) [30-1574](#) [30-470](#) [30-489](#) [30-541](#) [30-572-3](#) [30-9503](#) [M9177/2-1](#) [MAB 5 S](#) [MIKROE-1451](#) [33UBBR-04SW11R](#) [USBFTV2PEM2G](#) [USBFTVC6ZN](#) [USBFTVSCCG](#)
[KUSBX-AS2N-W30](#) [KUSBX-SLAS1N-W](#) [KUSBX-SLAS1N-W30](#) [1-1734084-2](#) [E8110-001-01](#) [MUSBC11135](#) [NK-27-32SL](#)