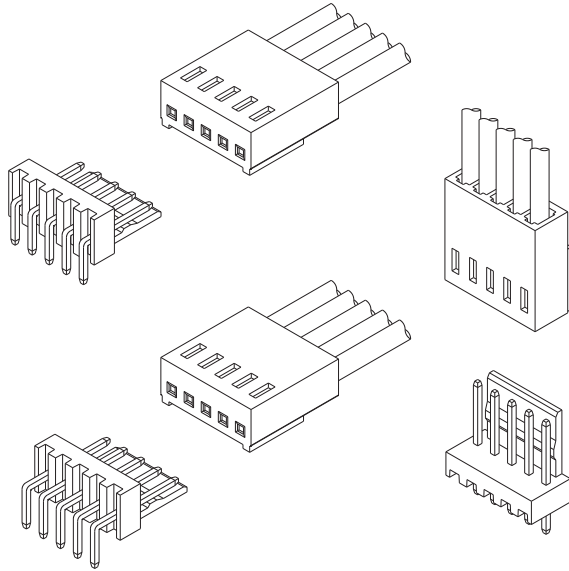


技术特性/Specifications:

额定电压 Rated voltage: 250V AC, DC  
额定电流 Rated current: 3A AC, DC  
接触电阻 Contact resistance: 20m $\Omega$  max  
绝缘电阻 Insulation resistance: 1000M $\Omega$  min  
耐压 Withstand voltage: 1000V AC/minute  
环境温度 Ambient temperature: -40 $^{\circ}$ C~+105 $^{\circ}$ C  
适用线规 Wire range: AWG#28~#22



|      |                      |            |      |
|------|----------------------|------------|------|
| REV. | REVISION DESCRIPTION | DATE       | APPD |
| A0   | NEW RELEASE          | 2009.08.01 | 张仁川  |

# NOTES

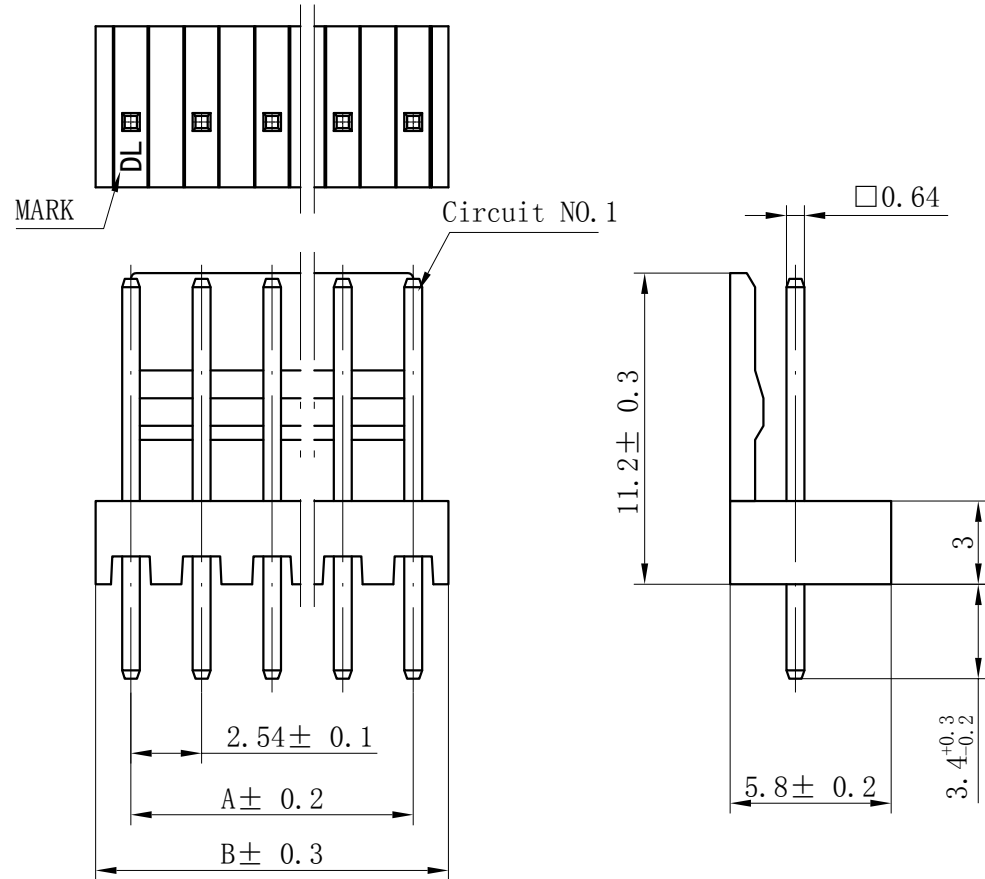
Available in 02 through 20 Circuits.

Mates with DL25401-Y Series Housing.

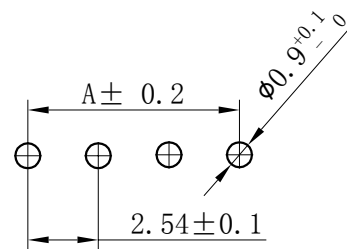
Material : Nylon UL94V-0(2).

0.64mm Square Pin.

Pin Material : Brass / Tin-Plated.



| Circuits | Product name | Dimension mm |       | Circuits | Product name | Dimension mm |       |
|----------|--------------|--------------|-------|----------|--------------|--------------|-------|
|          |              | A            | B     |          |              | A            | B     |
| 2        | 2510-2A      | 2.54         | 5.08  | 12       | 2510-12A     | 27.94        | 30.48 |
| 3        | 2510-3A      | 5.08         | 7.62  | 13       | 2510-13A     | 30.48        | 33.02 |
| 4        | 2510-4A      | 7.62         | 10.16 | 14       | 2510-14A     | 33.02        | 35.56 |
| 5        | 2510-5A      | 10.16        | 12.70 | 15       | 2510-15A     | 35.56        | 38.10 |
| 6        | 2510-6A      | 12.70        | 15.24 | 16       | 2510-16A     | 38.10        | 40.64 |
| 7        | 2510-7A      | 15.24        | 17.78 | 17       | 2510-17A     | 40.64        | 43.18 |
| 8        | 2510-8A      | 17.78        | 20.32 | 18       | 2510-18A     | 43.18        | 45.72 |
| 9        | 2510-9A      | 20.32        | 22.86 | 19       | 2510-19A     | 45.72        | 48.26 |
| 10       | 2510-10A     | 22.86        | 25.40 | 20       | 2510-20A     | 48.26        | 50.80 |
| 11       | 2510-11A     | 25.40        | 27.94 |          |              |              |       |



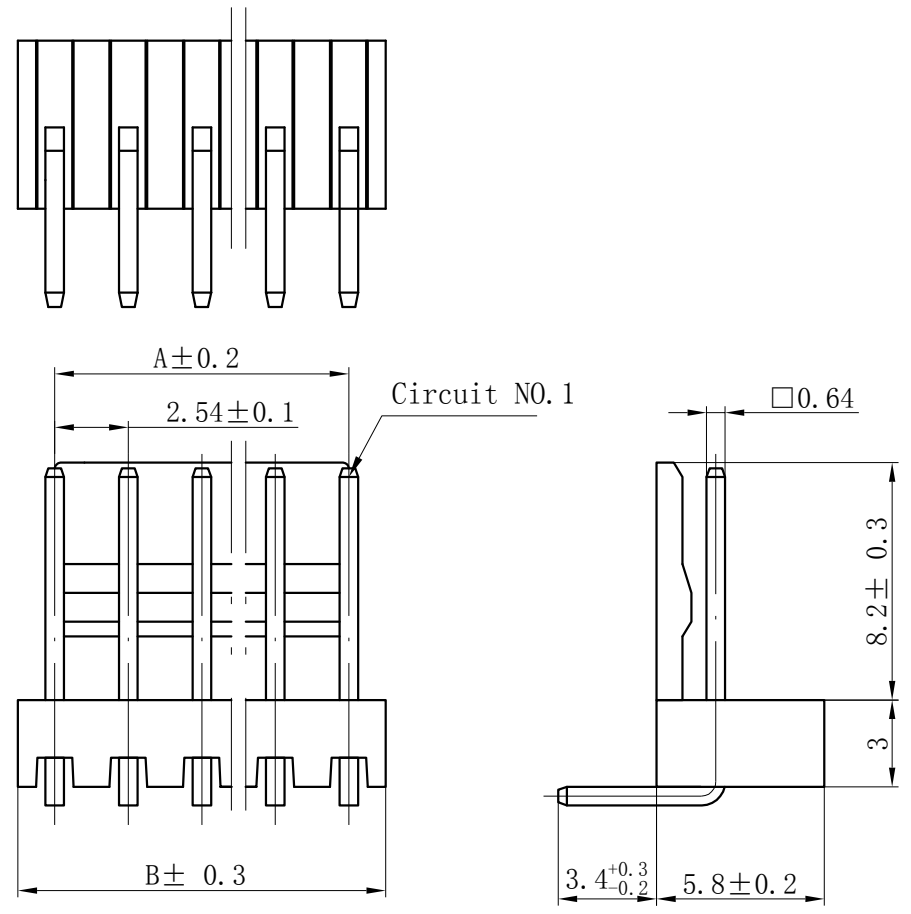
PCB LAYOUT

|  |               |                                    |  |
|--|---------------|------------------------------------|--|
| GENERAL TOLERANCES<br>(UNLESS SPECIFIED) |               | ZHE JIANG DELI CONNECTORS CO., LTD |  |
| .X: ± 0.25                               | .X°: ± 3.0°   | PRODUCT NAME:<br>DL25401 (2510)-A  | TITLE:<br>2.54 mm Pitch<br>Wire To Board Wafer |
| .XX: ± 0.15                              | .XX°: ± 2.0°  | DR: Xian Qiang                     | DATE:09/08/01                                  |
| .XXX: ± 0.01                             | .XXX°: ± 1.0° | CHRD: Liu Bing                     | DATE:09/08/01                                  |
| DRAWING NO:                              |               | APPD:Ren An De                     | DATE:09/08/01                                  |
|  |               | SCALE: N/A                         | PAGE: 1/1                                      |
|  |               | UNITS: mm                          | REV.: A0                                       |

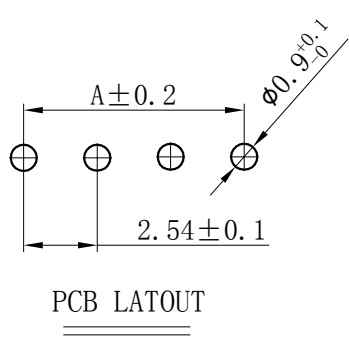
| REV. | REVISION DESCRIPTION | DATE | APPD |
|------|----------------------|------|------|
|      |                      |      |      |

### NOTES

Available in 02 through 20 Circuits.  
 Mates with DL25401-Y Series Housing.  
 Material : Nylon UL94V-0(2).  
 0.64mm Square Pin.  
 Pin Material : Brass / Tin-Plated.



| Circuits | Product name | Dimension mm |       | Circuits | Product name | Dimension mm |       |
|----------|--------------|--------------|-------|----------|--------------|--------------|-------|
|          |              | A            | B     |          |              | A            | B     |
| 2        | 2510-2AW     | 2.54         | 5.08  | 12       | 2510-12AW    | 27.94        | 30.48 |
| 3        | 2510-3AW     | 5.08         | 7.62  | 13       | 2510-13AW    | 30.48        | 33.02 |
| 4        | 2510-4AW     | 7.62         | 10.16 | 14       | 2510-14AW    | 33.02        | 35.56 |
| 5        | 2510-5AW     | 10.16        | 12.70 | 15       | 2510-15AW    | 35.56        | 38.10 |
| 6        | 2510-6AW     | 12.70        | 15.24 | 16       | 2510-16AW    | 38.10        | 40.64 |
| 7        | 2510-7AW     | 15.24        | 17.78 | 17       | 2510-17AW    | 40.64        | 43.18 |
| 8        | 2510-8AW     | 17.78        | 20.32 | 18       | 2510-18AW    | 43.18        | 45.72 |
| 9        | 2510-9AW     | 20.32        | 22.86 | 19       | 2510-19AW    | 45.72        | 48.26 |
| 10       | 2510-10AW    | 22.86        | 25.40 | 20       | 2510-20AW    | 48.26        | 50.80 |
| 11       | 2510-11AW    | 25.40        | 27.94 |          |              |              |       |

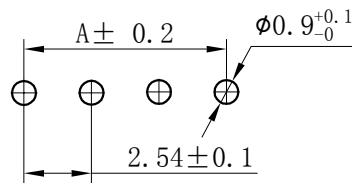
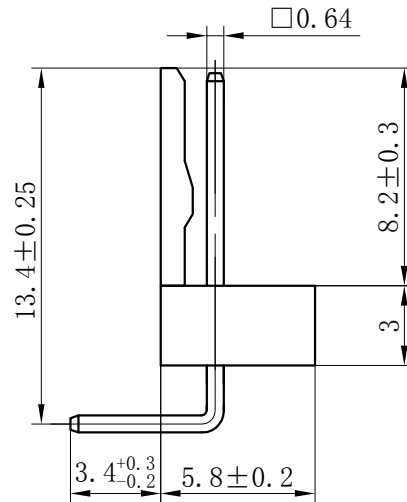
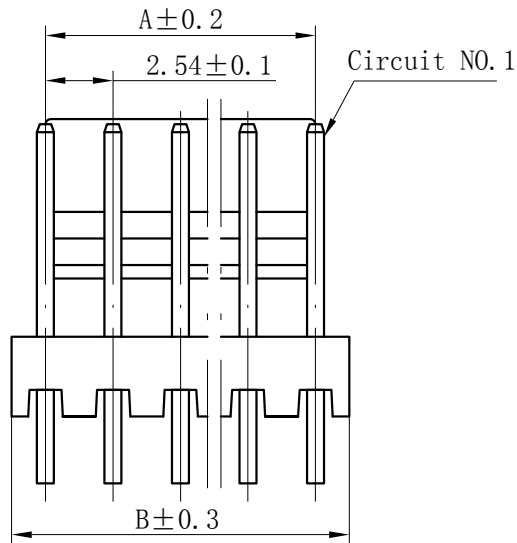
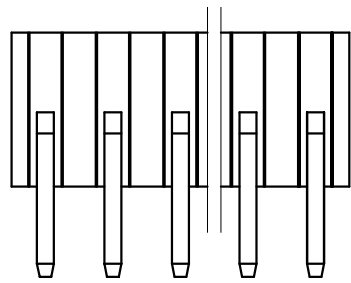


| GENERAL TOLERANCES<br>(UNLESS SPECIFIED) |              | ZHE JIANG DELI CONNECTORS CO.,LTD        |               |  |           |
|--|--------------|--|---------------|--|-----------|
| .X: ± 0.25                               | .X°: ± 3.0°  | PRODUCT NAME:<br><b>DL25401(2510)-AW</b> |               | TITLE:<br>2.54 mm Pitch<br>Wire To Board Wafer |           |
| .XX: ± 0.15                              | .X°: ± 2.0°  | DR: Xian Qiang                           | DATE:09/08/01 | PART NO:                                       |           |
| .XXX: ± 0.01                             | .XX°: ± 1.0° | CHKD: Liu Bing                           | DATE:09/08/01 | SCALE: N/A                                     | PAGE: 1/1 |
| DRAWING NO:                              |              | APPD:Ren An De                           | DATE:09/08/01 | UNITS: mm                                      | REV.: A   |

|      |                      |      |      |
|------|----------------------|------|------|
| REV. | REVISION DESCRIPTION | DATE | APPD |
|      |                      |      |      |

## NOTES

Available in 02 through 20 Circuits.  
 Mates with DL25401-Y Series Housing.  
 Material : Nylon UL94V-0(2).  
 0.64mm Square Pin.  
 Pin Material : Brass / Tin-Plated.



PCB LATOUT

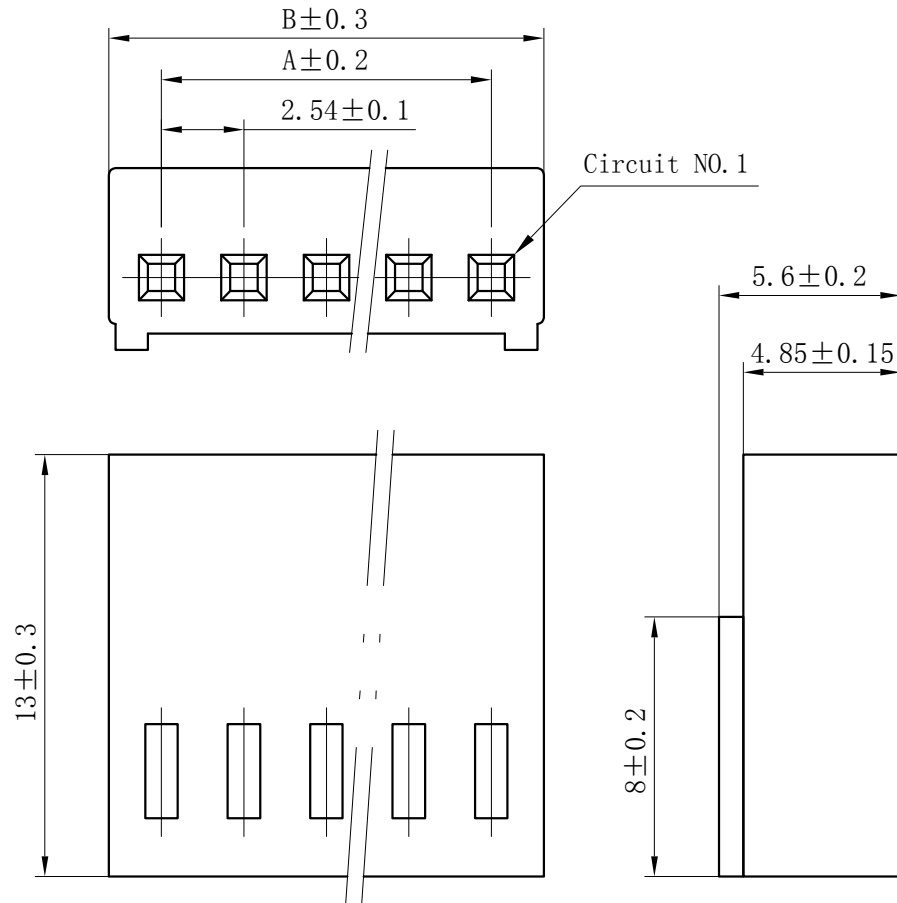
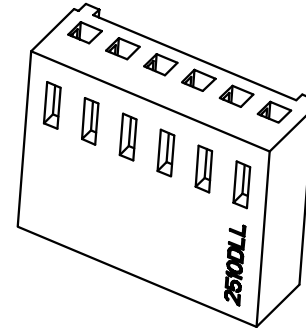
| Circuits | Product name | Dimension mm |       | Circuits | Product name | Dimension mm |       |
|----------|--------------|--------------|-------|----------|--------------|--------------|-------|
|          |              | A            | B     |          |              | A            | B     |
| 2        | 2510-2AWT    | 2.54         | 5.08  | 12       | 2510-12AWT   | 27.94        | 30.48 |
| 3        | 2510-3AWT    | 5.08         | 7.62  | 13       | 2510-13AWT   | 30.48        | 33.02 |
| 4        | 2510-4AWT    | 7.62         | 10.16 | 14       | 2510-14AWT   | 33.02        | 35.56 |
| 5        | 2510-5AWT    | 10.16        | 12.70 | 15       | 2510-15AWT   | 35.56        | 38.10 |
| 6        | 2510-6AWT    | 12.70        | 15.24 | 16       | 2510-16AWT   | 38.10        | 40.64 |
| 7        | 2510-7AWT    | 15.24        | 17.78 | 17       | 2510-17AWT   | 40.64        | 43.18 |
| 8        | 2510-8AWT    | 17.78        | 20.32 | 18       | 2510-18AWT   | 43.18        | 45.72 |
| 9        | 2510-9AWT    | 20.32        | 22.86 | 19       | 2510-19AWT   | 45.72        | 48.26 |
| 10       | 2510-10AWT   | 22.86        | 25.40 | 20       | 2510-20AWT   | 48.26        | 50.80 |
| 11       | 2510-11AWT   | 25.40        | 27.94 |          |              |              |       |

|  |              |   |                |  |           |
|--|--------------|---|----------------|--|-----------|
| GENERAL TOLERANCES<br>(UNLESS SPECIFIED) |              | ZHE JIANG DELI CONNECTORS CO., LTD        |                |  |           |
| .X: ± 0.25                               | X°: ± 3.0°   | PRODUCT NAME:<br><b>DL25401(2510)-AWT</b> |                | TITLE:<br>2.54 mm Pitch<br>Wire To Board Wafer |           |
| .XX: ± 0.15                              | .X°: ± 2.0°  | DR: Xian Qiang                            | DATE: 09/08/01 | PART NO:                                       |           |
| .XXX: ± 0.01                             | .XX°: ± 1.0° | CHKD: Liu Bing                            | DATE: 09/08/01 | SCALE: N/A                                     | PAGE: 1/1 |
| DRAWING NO:                              |              | APPD: Ren An De                           | DATE: 09/08/01 | UNITS: mm                                      | REV.: A   |

| REV. | REVISION DESCRIPTION | DATE | APPD |
|------|----------------------|------|------|
|      |                      |      |      |

### NOTES

Available in 02 through 20 Circuits.  
 Mates with DL25401-A or DL25401-AW or DL25401-AWT Series WAFER.  
 Material :Nylon UL94-V0(2).  
 Accepts DL25401-T Crimp Terminal.



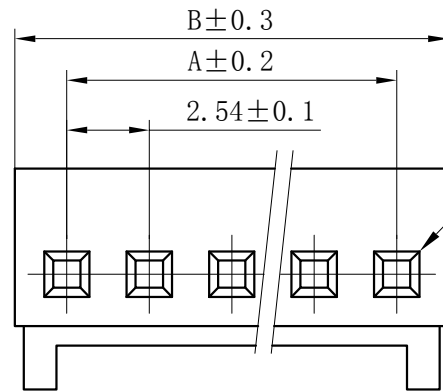
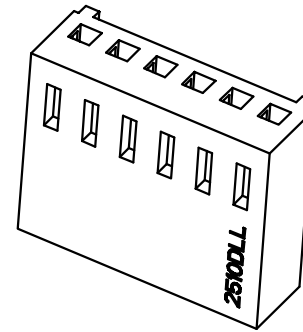
| Circuits | Product name | Dimension mm |       | Circuits | Product name | Dimension mm |       |
|----------|--------------|--------------|-------|----------|--------------|--------------|-------|
|          |              | A            | B     |          |              | A            | B     |
| 2        | 2510-2Y      | 2.54         | 5.84  | 10       | 2510-10Y     | 22.86        | 26.16 |
| 3        | 2510-3Y      | 5.08         | 8.38  | 11       | 2510-11Y     | 25.40        | 28.70 |
| 4        | 2510-4Y      | 7.62         | 10.92 | 12       | 2510-12Y     | 27.94        | 31.24 |
| 5        | 2510-5Y      | 10.16        | 13.46 | 13       | 2510-13Y     | 30.48        | 33.78 |
| 6        | 2510-6Y      | 12.70        | 16.00 | 14       | 2510-14Y     | 33.02        | 36.32 |
| 7        | 2510-7Y      | 15.24        | 18.54 | 15       | 2510-15Y     | 35.56        | 38.86 |
| 8        | 2510-8Y      | 17.78        | 21.08 | ~        | ~            | ~            | ~     |
| 9        | 2510-9Y      | 20.32        | 23.62 | 20       | 2510-20Y     | 48.26        | 51.56 |

| GENERAL TOLERANCES (UNLESS SPECIFIED) |              | ZHE JIANG DELI CONNECTORS CO., LTD       |  |
|---------------------------------------|--------------|--|--|
| .X: ± 0.25                            | X°: ± 3.0°   | PRODUCT NAME:<br><b>DL25401 (2510)-Y</b> | TITLE:<br>2.54 mm Pitch<br>Wire To Board Housing |
| .XX: ± 0.15                           | .X°: ± 2.0°  | DR: Xian Qiang                           | DATE:09/08/01                                    |
| .XXX: ± 0.01                          | .XX°: ± 1.0° | CHKD: Liu Bing                           | DATE:09/08/01                                    |
| FINISH:                               |              | APPD: Ren An De                          | DATE:09/08/01                                    |
| DRAWING NO:                           |              | SCALE: N/A                               | PAGE: 1/1  |
|                                       |              | UNITS: mm                                | REV.: A0   |

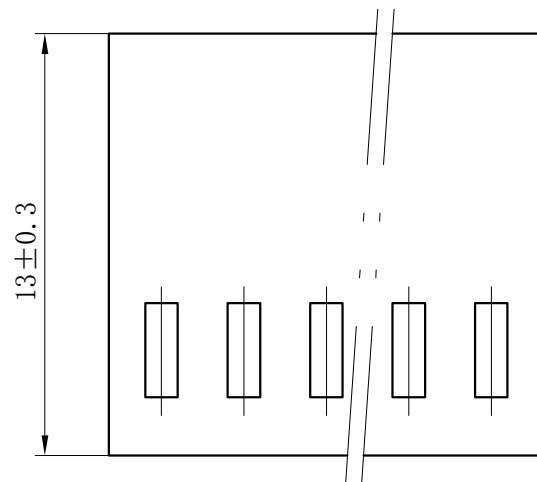
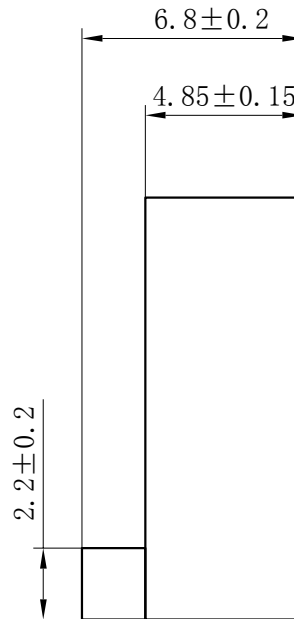
|      |   |                      |   |      |      |
|------|---|----------------------|---|------|------|
| REV. | 7 | REVISION DESCRIPTION | 8 | DATE | APPD |
|      |   |                      |   |      |      |

### NOTES

Available in 02 through 20 Circuits.  
 Mates with DL25401-A or DL25401-AW or DL25401-AWT Series WAFER.  
 Material :Nylon UL94-V0(2).  
 Accepts DL25401-T Crimp Terminal.



Circuit NO.1



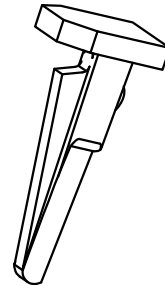
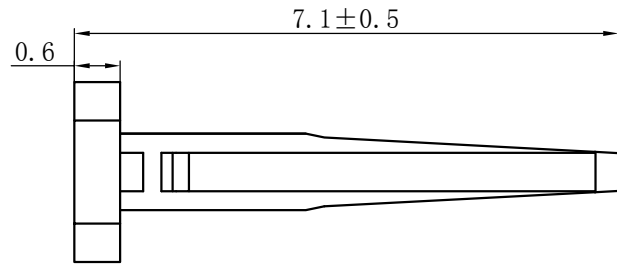
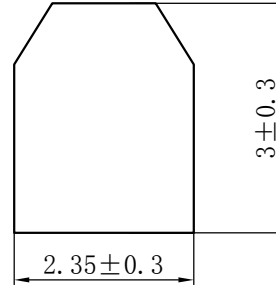
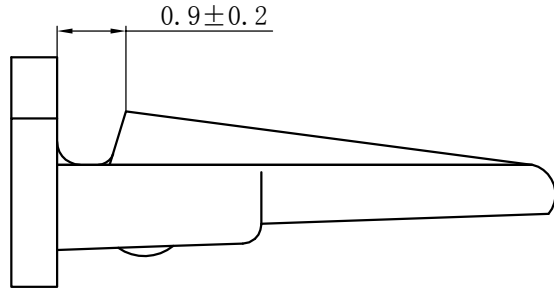
| Circuits | Product name | Dimension mm |       | Circuits | Product name | Dimension mm |       |
|----------|--------------|--------------|-------|----------|--------------|--------------|-------|
|          |              | A            | B     |          |              | A            | B     |
| 2        | 2510-2YB     | 2.54         | 5.84  | 10       | 2510-10YB    | 22.86        | 26.16 |
| 3        | 2510-3YB     | 5.08         | 8.38  | 11       | 2510-11YB    | 25.40        | 28.70 |
| 4        | 2510-4YB     | 7.62         | 10.92 | 12       | 2510-12YB    | 27.94        | 31.24 |
| 5        | 2510-5YB     | 10.16        | 13.46 | 13       | 2510-13YB    | 30.48        | 33.78 |
| 6        | 2510-6YB     | 12.70        | 16.00 | 14       | 2510-14YB    | 33.02        | 36.32 |
| 7        | 2510-7YB     | 15.24        | 18.54 | 15       | 2510-15YB    | 35.56        | 38.86 |
| 8        | 2510-8YB     | 17.78        | 21.08 | ~        | ~            | ~            | ~     |
| 9        | 2510-9YB     | 20.32        | 23.62 | 20       | 2510-20YB    | 48.26        | 51.56 |

|  |              |   |               |  |           |
|--|--------------|---|---------------|--|-----------|
| GENERAL TOLERANCES<br>(UNLESS SPECIFIED) |              | ZHE JIANG DELI CONNECTORS CO., LTD        |               |  |           |
| .X: ± 0.25                               | X°: ± 3.0°   | PRODUCT NAME:<br><b>DL25401 (2510)-YB</b> |               | TITLE:<br>2.54 mm Pitch<br>Wire To Board Housing |           |
| .XX: ± 0.15                              | .X°: ± 2.0°  | DR: Xian Qiang                            | DATE:09/08/01 | PART NO:   |           |
| .XXX: ± 0.01                             | .XX°: ± 1.0° | CHKD: Liu Bing                            | DATE:09/08/01 | SCALE: N/A                                       | PAGE: 1/1 |
| DRAWING NO:                              |              | APPD:Ren An De                            | DATE:09/08/01 | UNITS: mm  | REV.: A0  |

| REV. | REVISION DESCRIPTION | DATE | APPD |
|------|----------------------|------|------|
|      |                      |      |      |

## NOTES

Mates with 2510 Series Housing.  
 Material : Nylon UL94V-0(2).  
 Green Material RoHS Compliant.



| GENERAL TOLERANCES<br>(UNLESS SPECIFIED) |              | ZHE JIANG DELI CONNECTORS CO., LTD        |   |
|--|--------------|---|---|
| .X: ± 0.30                               | X°: ± 3.0°   | PRODUCT NAME:<br><b>DL25401 (2510)-1E</b> | TITLE:<br>2.54 mm Pitch<br>WTW Receptacle Stopper |
| .XX: ± 0.15                              | .X°: ± 2.0°  | DR:Chen Quan Long                         | DATE:24. 2. 22                                    |
| .XXX: ± 0.01                             | .XX°: ± 1.0° | CHKD:Wu Hui                               | DATE:24. 2. 22                                    |
| FINISH:                                  |              | APPD:Ren An De                            | DATE:24. 2. 22                                    |
| DRAWING NO:                              |              | UNITS: mm                                 | SCALE: N/A  |
|  |              |   | PAGE: 1/1   |
|  |              |   | REV.: A   |

| REV. | REVISION DESCRIPTION | DATE       | APPD |
|------|----------------------|------------|------|
| A2   | 图面更新                 | 2019/08/20 |      |

### NOTES

Used in DL25401-Y Series Housing.

Accepts AWG #28~22 Wire Range.

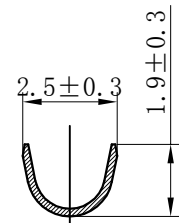
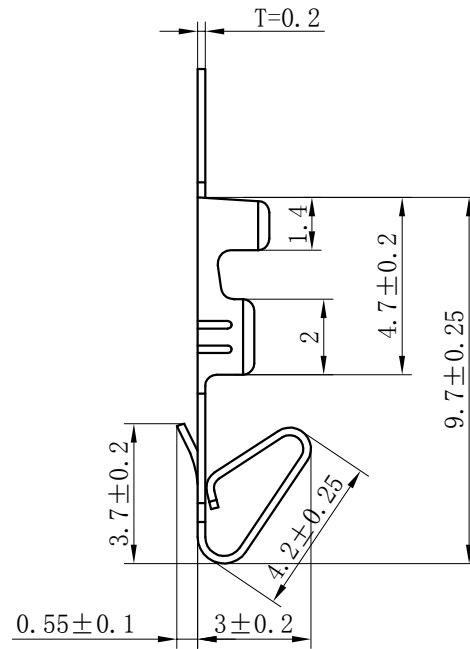
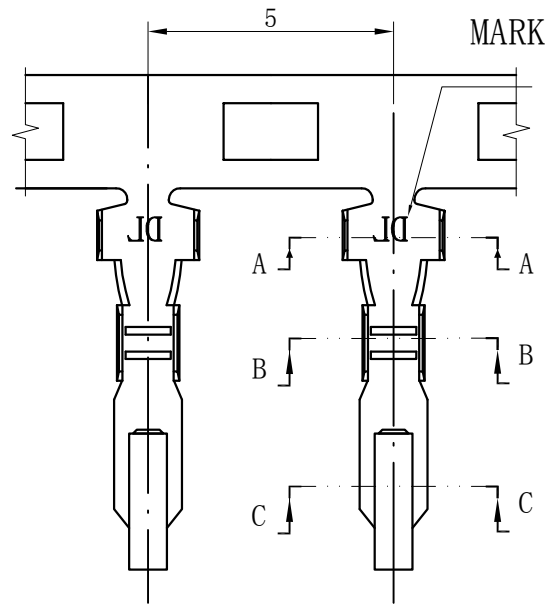
0.06~ 0.33 mm<sup>2</sup> .

Insulation O.D.=1.2~1.9 mm.

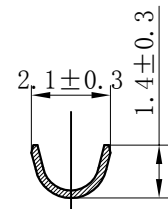
Material : Phosphor Bronze .

Finish: Tin plated.

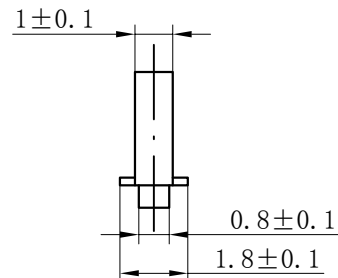
Thickness: 0.2 mm.



SECTION A-A



SECTION B-B



SECTION C-C

| GENERAL TOLERANCES (UNLESS SPECIFIED) |               | ZHE JIANG DELI CONNECTORS CO., LTD |   |
|---------------------------------------|---------------|------------------------------------|---|
| .X: ± 0.25                            | X° : ± 3.0°   | PRODUCT NAME:                      | TITLE:  |
| .XX: ± 0.15                           | .X° : ± 2.0°  | DL25401 (2510)-T                   | 2.54 mm Pitch<br>Wire To Board Crimp Terminal |
| .XXX: ± 0.01                          | .XX° : ± 1.0° | DR: Chen Quan Long                 | DATE: 20.12.4                                 |
| FINISH:                               |               | CHKD: Wu Hui                       | DATE: 20.12.4                                 |
| DRAWING NO:                           |               | APPD: Ren An De                    | DATE: 20.12.4                                 |
|                                       |               | SCALE: N/A                         | PAGE: 1/1                                     |
|                                       |               | UNITS: mm                          | REV.: A2                                      |



## X-ON Electronics

Largest Supplier of Electrical and Electronic Components

*Click to view similar products for [Headers & Wire Housings](#) category:*

*Click to view products by [DLL](#) manufacturer:*

Other Similar products are found below :

[0015917161](#) [0022155065](#) [57102-F02-18ULF](#) [58102-G61-06LF](#) [582553-1](#) [01.001.5753.1](#) [0050291907](#) [02.125.8002.8](#) [609-3404](#) [61062-3](#)  
[CSU011177004](#) [622-0430](#) [622-3653LF](#) [63453-116](#) [636-1030](#) [636-1427](#) [636-3427](#) [636-4007](#) [641938-9](#) [65495-038](#) [65692-001LF](#) [65781-018](#)  
[65781-047](#) [65817-010LF](#) [65817-015LF](#) [67095-007LF](#) [67601157](#) [68631-112](#) [68645-018](#) [699319-000](#) [70.362.1628.0](#) [70-4210](#) [70-4226B](#) [70-](#)  
[4853B](#) [71.350.2428.0](#) [733-134](#) [733-162](#) [MHR-64-VUAL](#) [80.063.4001.1](#) [800-90-001-10-001000](#) [801-43-002-10-013000](#) [801-43-006-10-](#)  
[002000](#) [803-43-024-10-001000](#) [803-93-012-10-001000](#) [8-1437020-4](#) [819-22-004-30-001101](#) [820-22-006-30-001101](#) [820-22-008-30-001101](#)  
[821-22-002-10-001101](#) [821-22-003-10-002101](#)