

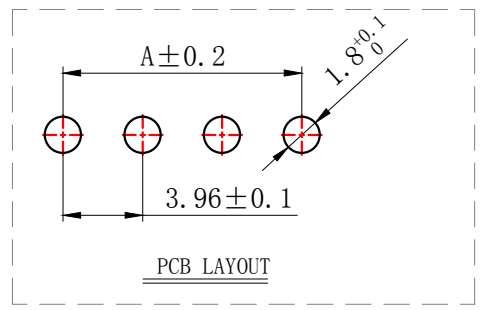
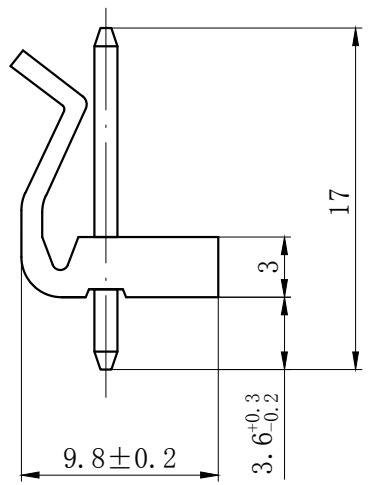
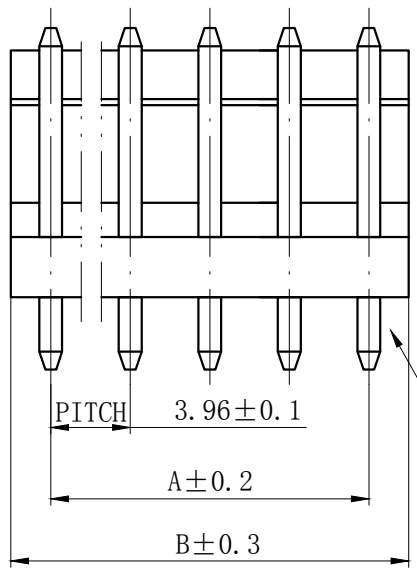
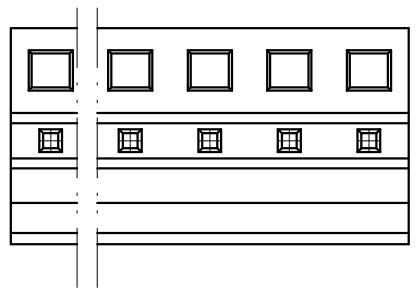
技术特性/Specifications:

额定电压 Rated voltage: 250V AC, DC  
额定电流 Rated current: 5A AC, DC  
接触电阻 Contact resistance: 20m $\Omega$  max  
绝缘电阻 Insulation resistance: 1000M $\Omega$  min  
耐压 Withstand voltage: 1500V AC/minute  
环境温度 Ambient temperature: -40 $^{\circ}$ C~+105 $^{\circ}$ C  
适用线规 Wire range: AWG#24~#18

|      |                      |      |
|------|----------------------|------|
| REV. | REVISION DESCRIPTION | DATE |
|      |                      |      |

**NORES :**

1. Rated voltage: 250V AC.DC
2. Rated current: 5A AC DC
3. Contact resistance:  $\leq 20 \text{ m}\Omega$
4. Insulation resistance:  $\geq 1000 \text{ m}\Omega$
5. Withstand voltage: 1500V AC/minute
6. Ambient temprature:  $-40^{\circ}\text{C} \sim 105^{\circ}\text{C}$
7. Materials: Nylon UL94V-0(2)
8. Matched RoHS criteria



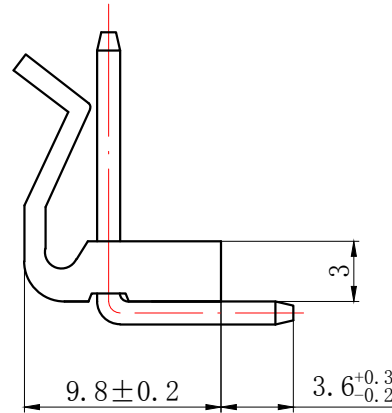
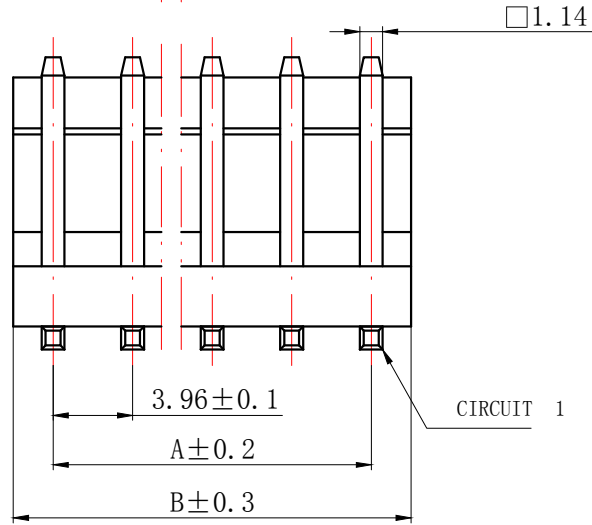
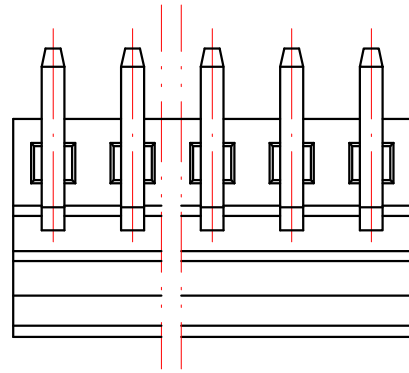
| Circuits | Product name | Dimension mm |       |
|----------|--------------|--------------|-------|
|          |              | A            | B     |
| 02       | 3.96-2A      | 3.96         | 7.92  |
| 03       | 3.96-3A      | 7.92         | 11.88 |
| 04       | 3.96-4A      | 11.88        | 15.84 |
| 05       | 3.96-5A      | 15.84        | 19.80 |
| 06       | 3.96-6A      | 19.80        | 23.76 |
| 07       | 3.96-7A      | 23.76        | 27.72 |
| 08       | 3.96-8A      | 27.72        | 31.68 |
| 09       | 3.96-9A      | 31.68        | 35.64 |
| 10       | 3.96-10A     | 35.64        | 39.60 |
| 11       | 3.96-11A     | 39.60        | 43.56 |
| 12       | 3.96-12A     | 43.56        | 47.52 |
| 13       | 3.96-13A     | 47.52        | 51.48 |
| 14       | 3.96-14A     | 51.48        | 55.44 |
| 15       | 3.96-15A     | 55.44        | 59.40 |

|                                       |              |                                    |  |
|---------------------------------------|--------------|------------------------------------|--|
| GENERAL TOLERANCES (UNLESS SPECIFIED) |              | ZHE JIANG DELI CONNECTORS CO., LTD |  |
| .X: ± 0.25                            | X°: ± 3.0°   | PRODUCT NAME:                      | TITLE: 3.96 mm Pitch Wire To Board Wafer |
| .XX: ± 0.15                           | .X°: ± 2.0°  | DL39601(3.96)-A                    |  |
| .XXX: ± 0.01                          | .XX°: ± 1.0° | DR: Yuan Jun Rong                  | DATE:19/08/01                            |
| FINISH:                               |              | CHKD: Wu Hui                       | DATE:19/08/01                            |
| DRAWING NO:                           |              | APPD:Ren An De                     | DATE:19/08/01                            |
|                                       |              | SCALE: N/A                         | PAGE: 1/1                                |
|                                       |              | UNITS: mm                          | REV.: A                                  |

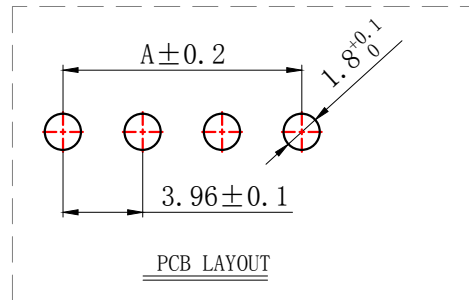
| REV. | REVISION DESCRIPTION | DATE |
|------|----------------------|------|
|      |                      |      |

**NORES:**

1. Rated voltage: 250V AC.DC
2. Rated current: 5A AC DC
3. Contact resistance:  $\leq 20 \text{ m}\Omega$
4. Insulation resistance:  $\geq 1000 \text{ m}\Omega$
5. Withstand voltage: 1500V AC/minute
6. Ambient temperature:  $-40^{\circ}\text{C} \sim 105^{\circ}\text{C}$
7. Materials: Nylon UL94V-0 (2)
8. Matched RoHS criteria

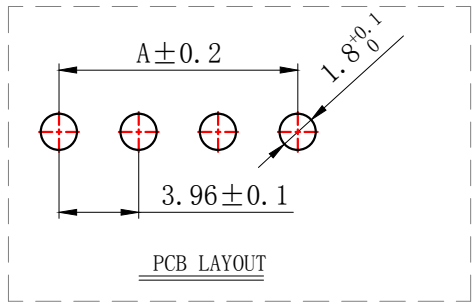
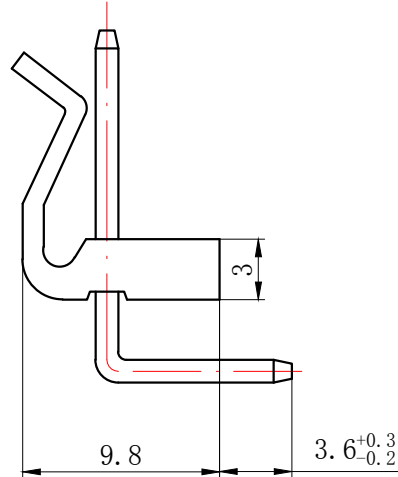
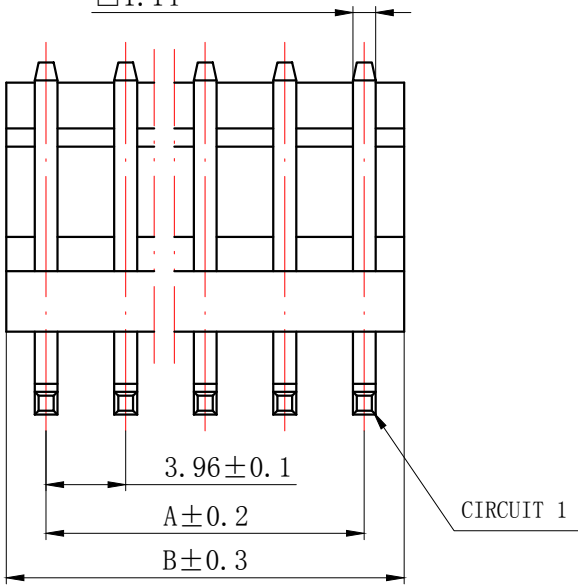
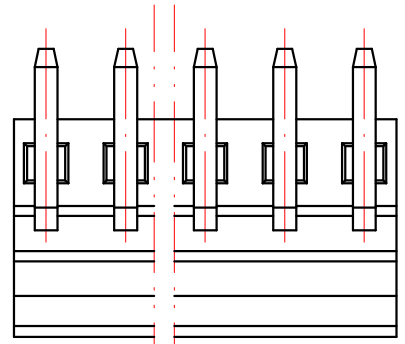


| Circuits | Product name | Dimension mm |       |
|----------|--------------|--------------|-------|
|          |              | A            | B     |
| 02       | 3.96-2AW     | 3.96         | 7.92  |
| 03       | 3.96-3AW     | 7.92         | 11.88 |
| 04       | 3.96-4AW     | 11.88        | 15.84 |
| 05       | 3.96-5AW     | 15.84        | 19.80 |
| 06       | 3.96-6AW     | 19.80        | 23.76 |
| 07       | 3.96-7AW     | 23.76        | 27.72 |
| 08       | 3.96-8AW     | 27.72        | 31.68 |
| 09       | 3.96-9AW     | 31.68        | 35.64 |
| 10       | 3.96-10AW    | 35.64        | 39.60 |
| 11       | 3.96-11AW    | 39.60        | 43.56 |
| 12       | 3.96-12AW    | 43.56        | 47.52 |
| 13       | 3.96-13AW    | 47.52        | 51.48 |
| 14       | 3.96-14AW    | 51.48        | 55.44 |
| 15       | 3.96-15AW    | 55.44        | 59.40 |



| GENERAL TOLERANCES (UNLESS SPECIFIED) |              | ZHE JIANG DELI CONNECTORS CO., LTD |  |
|---------------------------------------|--------------|------------------------------------|--|
| .X: ± 0.25                            | X°: ± 3.0°   | PRODUCT NAME:                      | TITLE: 3.96 mm Pitch Wire To Board Wafer |
| .XX: ± 0.15                           | .X°: ± 2.0°  | DL39601 (3.96)-AW                  |  |
| .XXX: ± 0.01                          | .XX°: ± 1.0° | DR: Yuan Jun Rong                  | DATE: 19/08/01                           |
| FINISH:                               |              | CHKD: Wu Hui                       | DATE: 19/08/01                           |
| DRAWING NO:                           |              | APPD: Ren An De                    | DATE: 19/08/01                           |
|                                       |              | PART NO:                           | SCALE: N/A                               |
|                                       |              |                                    | PAGE: 1/1                                |
|                                       |              | UNITS: mm                          | REV.: A                                  |

|      |                      |      |
|------|----------------------|------|
| REV. | REVISION DESCRIPTION | DATE |
|      |                      |      |



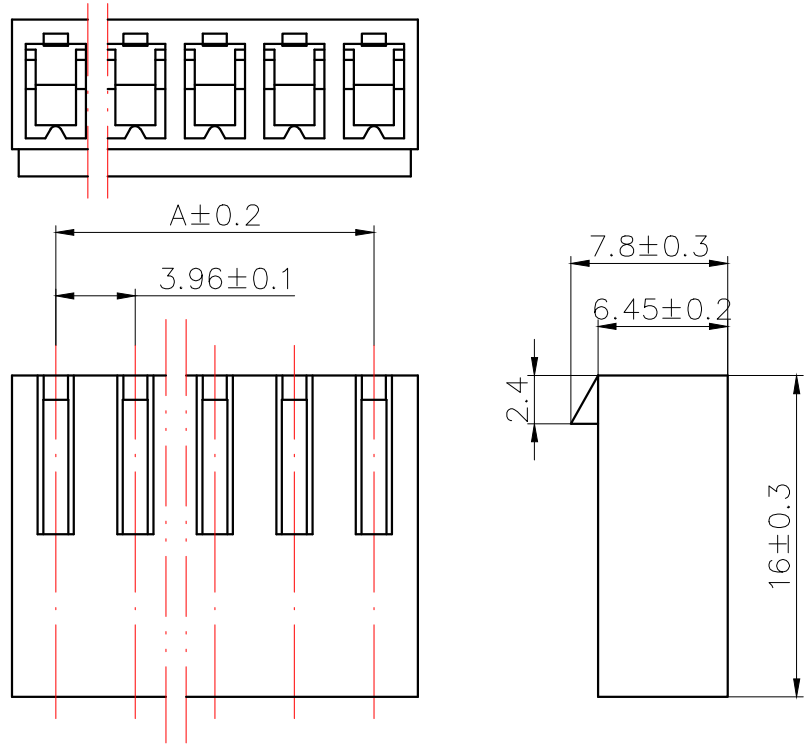
**NORES:**

1. Rated voltage: 250V AC/DC
2. Rated current: 5A AC/DC
3. Contact resistance:  $\leq 20 \text{ m}\Omega$
4. Insulation resistance:  $\geq 1000 \text{ m}\Omega$
5. Withstand voltage: 1500V AC/minute
6. Ambient temperature:  $-40^\circ\text{C} \sim 105^\circ\text{C}$
7. Materials: Nylon UL94V-0(2)
8. Matched RoHS criteria

| Circuits | Product name | Dimension mm |       |
|----------|--------------|--------------|-------|
|          |              | A            | B     |
| 02       | 3.96-2AWT    | 3.96         | 7.92  |
| 03       | 3.96-3AWT    | 7.92         | 11.88 |
| 04       | 3.96-4AWT    | 11.88        | 15.84 |
| 05       | 3.96-5AWT    | 15.84        | 19.80 |
| 06       | 3.96-6AWT    | 19.80        | 23.76 |
| 07       | 3.96-7AWT    | 23.76        | 27.72 |
| 08       | 3.96-8AWT    | 27.72        | 31.68 |
| 09       | 3.96-9AWT    | 31.68        | 35.64 |
| 10       | 3.96-10AWT   | 35.64        | 39.60 |
| 11       | 3.96-11AWT   | 39.60        | 43.56 |
| 12       | 3.96-12AWT   | 43.56        | 47.52 |
| 13       | 3.96-13AWT   | 47.52        | 51.48 |
| 14       | 3.96-14AWT   | 51.48        | 55.44 |
| 15       | 3.96-15AWT   | 55.44        | 59.40 |

|                                       |                       |                                    |  |
|---------------------------------------|-----------------------|------------------------------------|--|
| GENERAL TOLERANCES (UNLESS SPECIFIED) |                       | ZHE JIANG DELI CONNECTORS CO., LTD |  |
| .X: $\pm 0.25$                        | .X°: $\pm 3.0^\circ$  | PRODUCT NAME:                      | TITLE: 3.96 mm Pitch Wire To Board Wafer |
| .XX: $\pm 0.15$                       | .X°: $\pm 2.0^\circ$  | DL39601(3.96)-AWT                  | PART NO:                                 |
| .XXX: $\pm 0.01$                      | .XX°: $\pm 1.0^\circ$ | DR: Chen Quan Long                 | DATE:09/08/01                            |
| FINISH:                               |                       | CHKD: Wu Hui                       | DATE:09/08/01                            |
| DRAWING NO:                           |                       | APPD: Ren An De                    | DATE:09/08/01                            |
|                                       |                       | SCALE: N/A                         | PAGE: 1/1                                |
|                                       |                       | UNITS: mm                          | REV.: A                                  |

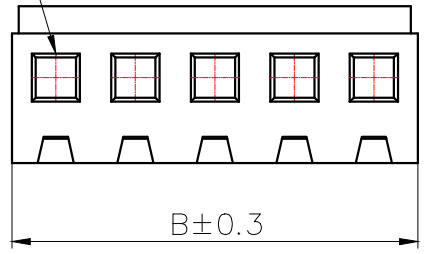
|      |                      |      |
|------|----------------------|------|
| REV. | REVISION DESCRIPTION | DATE |
|      |                      |      |



**NORES :**

1. Rated voltage: 250V AC.DC
2. Rated current: 5A AC DC
3. Contact resistance:  $\leq 20$  m $\Omega$
4. Insulation resistance:  $\geq 1000$  m $\Omega$
5. Withstand voltage: 1500V AC/minute
6. Ambient temprature:  $-10^{\circ}\text{C} \sim 105^{\circ}\text{C}$
7. Materials: Nylon UL94V-0(2)
8. Matched RoHS criteria

CIRCUIT 1



| Circuits | Product name | Dimension mm |       |
|----------|--------------|--------------|-------|
|          |              | A            | B     |
| 02       | 3.96-2Y      | 3.96         | 8.32  |
| 03       | 3.96-3Y      | 7.92         | 12.28 |
| 04       | 3.96-4Y      | 11.88        | 16.24 |
| 05       | 3.96-5Y      | 15.84        | 20.20 |
| 06       | 3.96-6Y      | 19.80        | 24.16 |
| 07       | 3.96-7Y      | 23.76        | 28.12 |
| 08       | 3.96-8Y      | 27.72        | 32.08 |
| 09       | 3.96-9Y      | 31.68        | 36.04 |
| 10       | 3.96-10Y     | 35.64        | 40.00 |
| 11       | 3.96-11Y     | 39.60        | 43.96 |
| 12       | 3.96-12Y     | 43.56        | 47.92 |
| 13       | 3.96-13Y     | 47.52        | 51.88 |
| 14       | 3.96-14Y     | 51.48        | 55.84 |
| 15       | 3.96-15Y     | 55.44        | 59.80 |

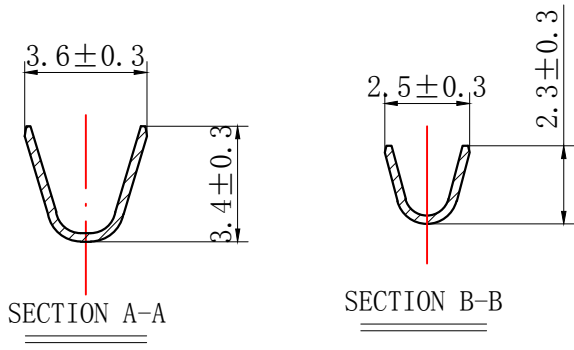
|                                       |                          |                                   |  |
|---------------------------------------|--------------------------|-----------------------------------|--|
| GENERAL TOLERANCES (UNLESS SPECIFIED) |                          | ZHE JIANG DELI CONNECTORS CO.,LTD |  |
| .X: $\pm 0.25$                        | X° : $\pm 3.0^{\circ}$   | PRODUCT NAME:<br>DL39601(3.96)-Y  | TITLE: 3.96 mm Pitch Wire To Board Wafer |
| .XX: $\pm 0.15$                       | .X° : $\pm 2.0^{\circ}$  | DR: Yuan Jun Rong                 | DATE:09/08/01                            |
| .XXX: $\pm 0.01$                      | .XX° : $\pm 1.0^{\circ}$ | CHKD: Wu Hui                      | DATE:09/08/01                            |
| FINISH:                               |                          | APPD:Ren An De                    | DATE:09/08/01                            |
| DRAWING NO:                           |                          |                                   |  |
|                                       |                          | SCALE: N/A                        | PAGE: 1/1                                |
|                                       |                          | UNITS: mm                         | REV. : A                                 |

| REV. | REVISION DESCRIPTION | DATE     | APPD |
|------|----------------------|----------|------|
| B    | 端子高度尺寸更新             | 19.4.20  | Wu   |
| C    | 端子倒勾宽度               | 19.10.12 | Wu   |



## NOTES

Used in DL39601-Y Series Housing.  
 Accepts AWG #24~18 Wire Range.  
 0.33~ 0.83 mm<sup>2</sup> .  
 Insulation O.D. =1.7~3.0 mm.  
 Material : Phosphor Bronze .  
 Finish: Tin plated.  
 Thickness: 0.25 mm.



| GENERAL TOLERANCES (UNLESS SPECIFIED) |              | ZHE JIANG DELI CONNECTORS CO., LTD |  |
|---------------------------------------|--------------|------------------------------------|--|
| .X: ± 0.25                            | .X°: ± 3.0°  | PRODUCT NAME:<br>DL39601 (3.96)-T  | TITLE: 3.96 mm pitch WTB Crimping Terminal |
| .XX: ± 0.15                           | .X°: ± 2.0°  | DR: Xian Qiang                     | DATE: 16.3.3                               |
| .XXX: ± 0.01                          | .XX°: ± 1.0° | CHKD: Liu Bing                     | DATE: 16.3.3                               |
| DRAWING NO:                           |              | APPD: Liu Bing                     | DATE: 16.3.3                               |
|                                       |              | SCALE: N/A                         | PAGE: 1/1                                  |
|                                       |              | UNITS: mm                          | REV.: C                                    |

## X-ON Electronics

Largest Supplier of Electrical and Electronic Components

*Click to view similar products for [Headers & Wire Housings](#) category:*

*Click to view products by [DLL](#) manufacturer:*

Other Similar products are found below :

[0015917161](#) [0022155065](#) [57102-F02-18ULF](#) [58102-G61-06LF](#) [582553-1](#) [01.001.5753.1](#) [0050291907](#) [02.125.8002.8](#) [609-3404](#) [61062-3](#)  
[CSU011177004](#) [622-0430](#) [622-3653LF](#) [63453-116](#) [636-1030](#) [636-1427](#) [636-3427](#) [636-4007](#) [641938-9](#) [65495-038](#) [65692-001LF](#) [65781-018](#)  
[65781-047](#) [65817-010LF](#) [65817-015LF](#) [67095-007LF](#) [67601157](#) [68631-112](#) [68645-018](#) [699319-000](#) [70.362.1628.0](#) [70-4210](#) [70-4226B](#) [70-](#)  
[4853B](#) [71.350.2428.0](#) [733-134](#) [733-162](#) [760-3052](#) [MHR-64-VUAL](#) [80.063.4001.1](#) [800-90-001-10-001000](#) [801-43-002-10-013000](#)  
[801-43-006-10-002000](#) [803-43-024-10-001000](#) [803-93-012-10-001000](#) [8-1437020-4](#) [819-22-004-30-001101](#) [820-22-006-30-001101](#)  
[820-22-008-30-001101](#) [821-22-002-10-001101](#)