

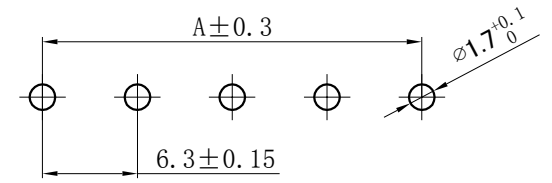
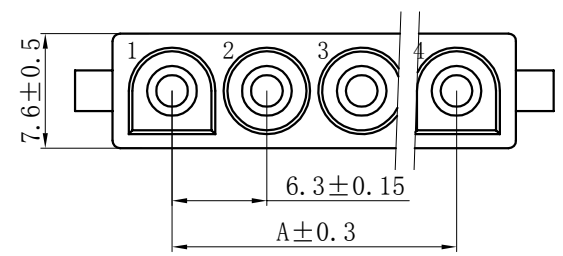
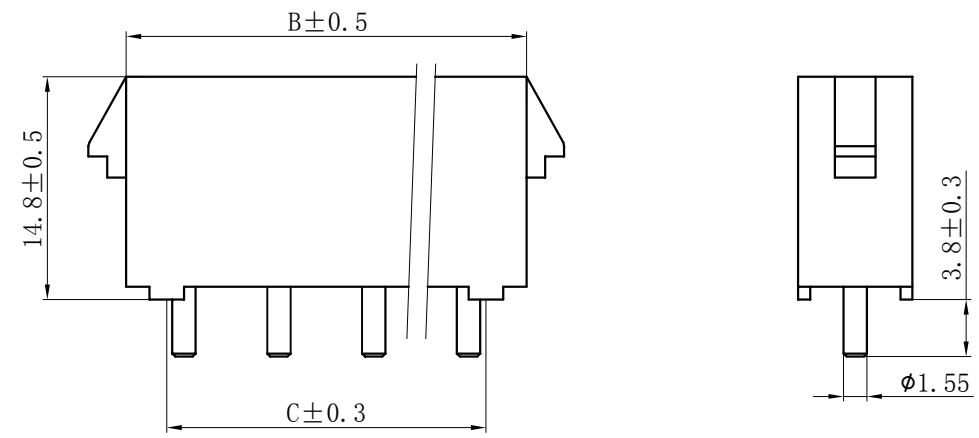
技术特性/Specifications:

额定电压 Rated voltage: 300V AC, DC
额定电流 Rated current: 13A AC, DC
接触电阻 Contact resistance: 20m Ω max
绝缘电阻 Insulation resistance: 1000M Ω min
耐压 Withstand voltage: 1500V AC/minute
环境温度 Ambient temperature: -40 $^{\circ}$ C~+105 $^{\circ}$ C
适用线规 Wire range: AWG#20~#16

REV.	REVISION DESCRIPTION	DATE	APPD

Notes :

1. Rated voltage: 300V AC/DC
2. Rated current: 13A AC/DC MAX
3. Contact resistance: $\leq 20m\Omega$
4. Insulation resistance: $\geq 1000M\Omega$
5. Withstand voltage: 1500V AC/minute
6. Ambient temperature: $-40\sim 105^{\circ}C$
7. Materials: Nylon UL94V-0 (2)
8. Green Material ROHS Compliant



PCB LAYOUT

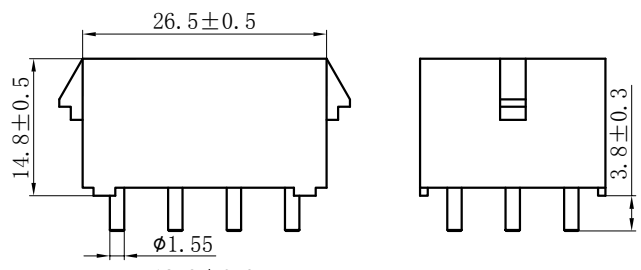
Circuits	Product name	Dimension mm		
		A	B	C
1X2	42002-2A	6.30	14.00	8.60
1X3	42002-3A	12.60	20.30	14.90
1X4	42002-4A	18.90	26.60	21.20
1X5	42002-5A	25.20	32.90	27.50
1X6	42002-6AM	31.50	39.40	33.80

GENERAL TOLERANCES (UNLESS SPECIFIED)		ZHE JIANG DELI CONNECTORS CO., LTD	
. X: ± 0.25	X° : $\pm 3.0^{\circ}$	PRODUCT NAME: DL63001 (42002)-A	TITLE: 6.3 mm Pitch Wire To Board Wafer
. XX: ± 0.15	. X° : $\pm 2.0^{\circ}$	DR: Yuan Jun Rong	DATE: 21/05/20
. XXX: ± 0.01	. XX° : $\pm 1.0^{\circ}$	CHKD: Wu Hui	DATE: 21/05/20
FINISH:		APPD: Ren An De	DATE: 21/05/20
DRAWING NO:		SCALE: N/A	PAGE: 1/1
		UNITS: mm	REV.: A

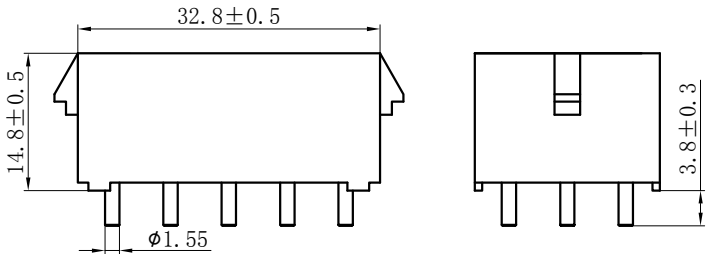
REV.	REVISION DESCRIPTION	DATE	APPD

NOTES:

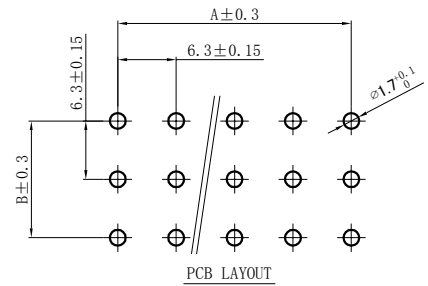
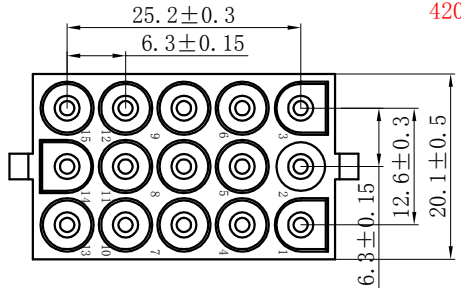
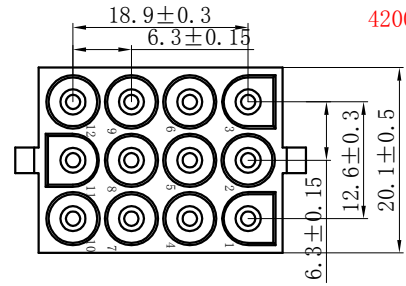
- 1、Current rating: 13A AC\DC
- 2、Voltage rating: 300V AC\DC
- 3、Temperature range: -40°C to 105°C
- 4、Contact resistance: 20mΩ max
- 5、Insulation resistance: 1000MΩ min
- 6、Withstanding voltage: 1500V AC/ minute
- 7、Materials: Nylon UL94V-0(2)
- 8、Green Material Rohns Compliant



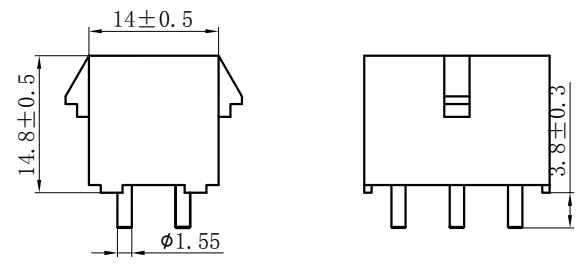
42002-12A



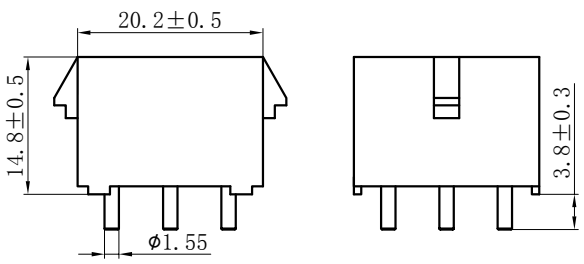
42002-15A



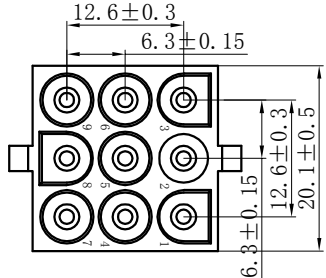
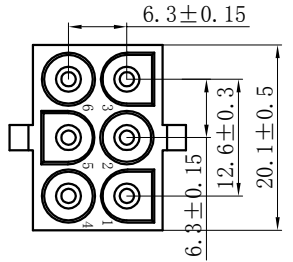
Circuits	Product name	Dimension mm	
		A	B
2X3	42002-6A	6.30	18.90
3X3	42002-9A	18.90	18.90
3X4	42002-12A	18.90	25.20
3X5	42002-15A	18.90	31.50



42002-6A



42002-9A

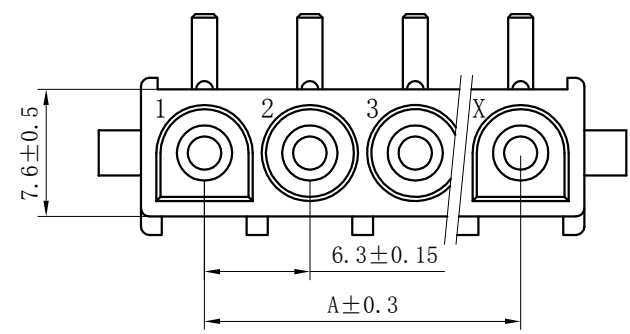
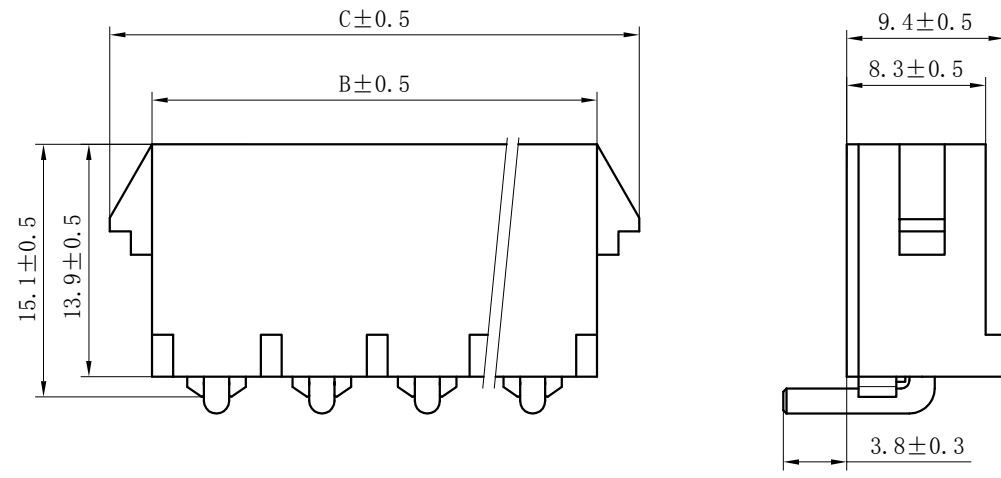


GENERAL TOLERANCES (UNLESS SPECIFIED)		ZHE JIANG DELI CONNECTORS CO., LTD	
.X: ± 0.25	X°: ± 3.0°	PRODUCT NAME:	TITLE: 6.3 mm Pitch Wire To Board Wafer
.XX: ± 0.15	.X°: ± 2.0°	DL63001 (42002)-A	
.XXX: ± 0.01	.XX°: ± 1.0°	DR: Ni Sheng Le	DATE: 21/05/20
FINISH:		CHKD: Wu Hui	DATE: 21/05/20
DRAWING NO:		APPD: Ren An De	DATE: 21/05/20
		SCALE: N/A	PAGE: 1/1
		UNITS: mm	REV.: A

REV.	REVISION DESCRIPTION	DATE	APPD

Notes :

- 1 .Rated voltage:300V AC. DC
- 2.Rated current:13A AC. DC MAX
- 3.Contact resistance: $\leq 20m\Omega$
- 4.Insulation resistance: $\geq 1000M\Omega$
- 5.Withstand voltage: 1500V AC/minute
- 6.Ambient temperature:-40~105°C
- 7.Materials: Nylon UL94 V-0(2)
- 8.Green Material ROHS Compliant



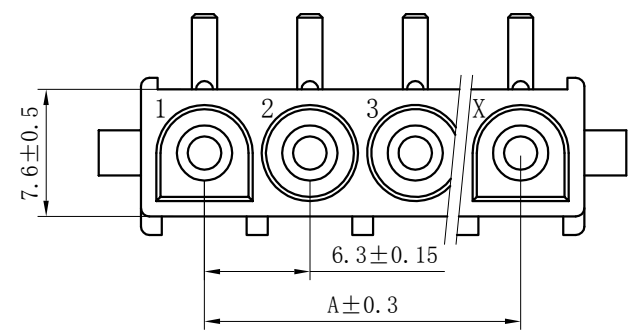
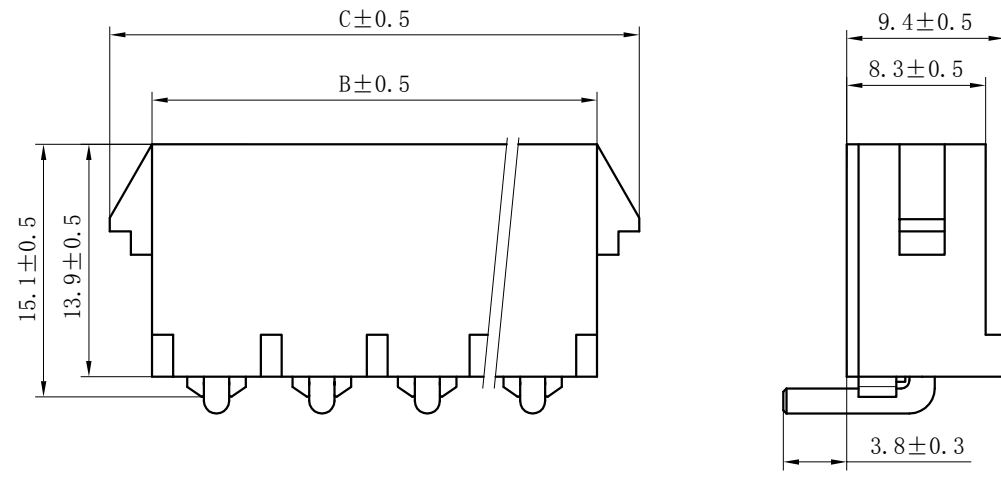
Circuits	Product name	Dimension mm		
		A	B	C
2	42002-2AW	6.30	14.00	19.10
3	42002-3AW	12.60	20.30	25.40
4	42002-4AW	18.90	26.60	31.70
5	42002-5AW	25.20	32.90	38.00
6	42002-6AW	31.50	39.20	44.30

GENERAL TOLERANCES (UNLESS SPECIFIED)		ZHE JIANG DELI CONNECTORS CO.,LTD			
. X: ± 0.25	X° : $\pm 3.0^\circ$	PRODUCT NAME: DL63001 (42002)-AW		TITLE: 6.3 mm Pitch Wire To Board Wafer	
. XX: ± 0.15	. X° : $\pm 2.0^\circ$	DR: Ni Sheng Le	DATE:21/05/20	PART NO:	
. XXX: ± 0.01	. XX° : $\pm 1.0^\circ$	CHKD: Wu Hui	DATE:21/05/20	SCALE: N/A	PAGE: 1/1
DRAWING NO:		APPD: Ren An De	DATE:21/05/20	UNITS: mm	REV. : A

REV.	REVISION DESCRIPTION	DATE	APPD

Notes :

- 1 .Rated voltage:300V AC. DC
- 2.Rated current:13A AC. DC MAX
- 3.Contact resistance: $\leq 20m\Omega$
- 4.Insulation resistance: $\geq 1000M\Omega$
- 5.Withstand voltage: 1500V AC/minute
- 6.Ambient temperature:-40~105°C
- 7.Materials: Nylon UL94 V-0(2)
- 8.Green Material ROHS Compliant



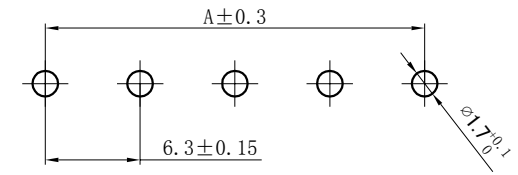
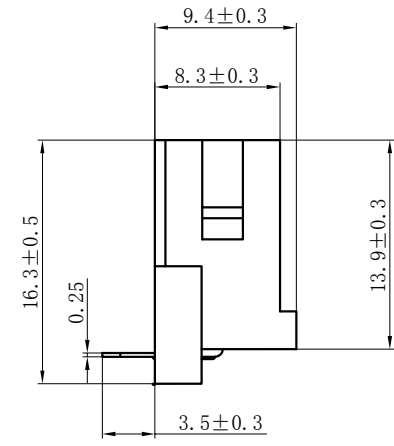
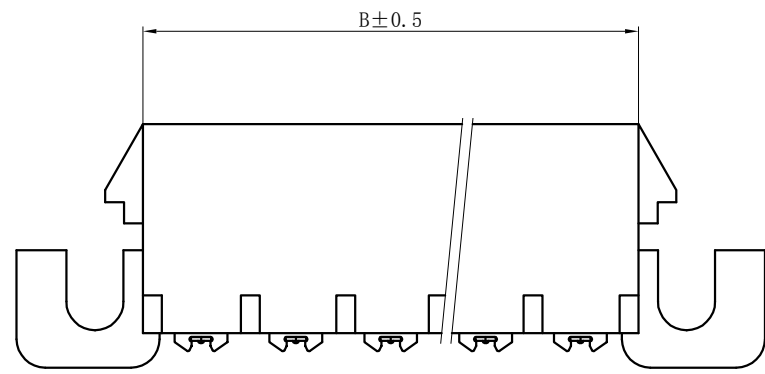
Circuits	Product name	Dimension mm		
		A	B	C
2	42002-2AW-GOLD	6.30	14.00	19.10
3	42002-3AW-GOLD	12.60	20.30	25.40
4	42002-4AW-GOLD	18.90	26.60	31.70
5	42002-5AW-GOLD	25.20	32.90	38.00
6	42002-6AW-GOLD	31.50	39.20	44.30

GENERAL TOLERANCES (UNLESS SPECIFIED)		ZHE JIANG DELI CONNECTORS CO.,LTD			
. X: ± 0.25	X° : $\pm 3.0^\circ$	PRODUCT NAME: DL63001(42002)-AW-GOLD		TITLE: 6.3 mm Pitch Wire To Board Wafer	
. XX: ± 0.15	. X° : $\pm 2.0^\circ$	DR: Ni Sheng Le	DATE:21/05/20	PART NO:	
. XXX: ± 0.01	. XX° : $\pm 1.0^\circ$	CHKD: Wu Hui	DATE:21/05/20	SCALE: N/A	PAGE: 1/1
DRAWING NO:		APPD: Ren An De	DATE:21/05/20	UNITS: mm	REV. : A

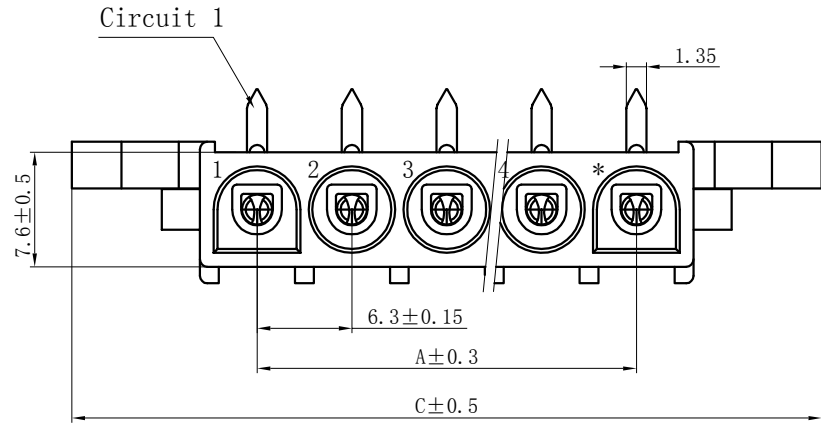
REV.	REVISION DESCRIPTION	DATE	APPD

Notes :

1. Rated voltage: 300V AC/DC
2. Rated current: 13A AC/DC MAX
3. Contact resistance: $\leq 20m\Omega$
4. Insulation resistance: $\geq 1000M\Omega$
5. Withstand voltage: 1500V AC/minute
6. Ambient temperature: $-40\sim 105^{\circ}C$
7. Materials: Nylon UL94V-0 (2)
8. Green Material ROHS Compliant



PCB LAYOUT



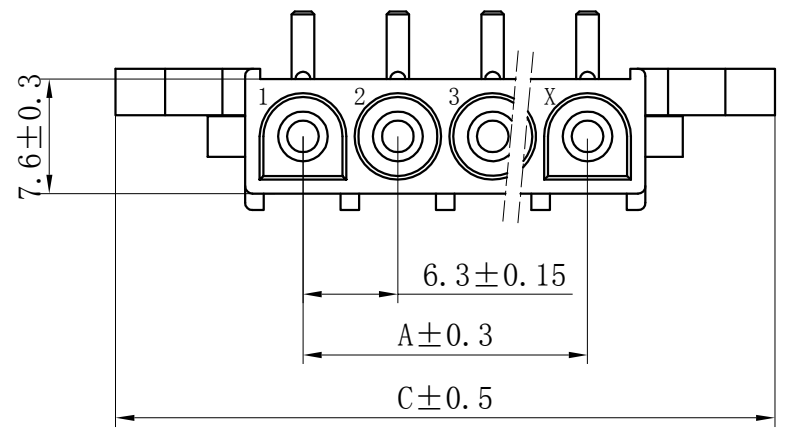
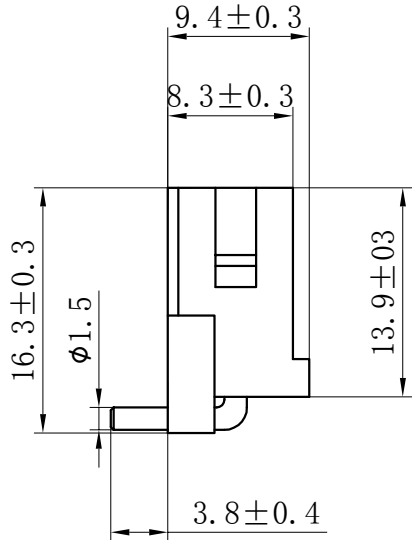
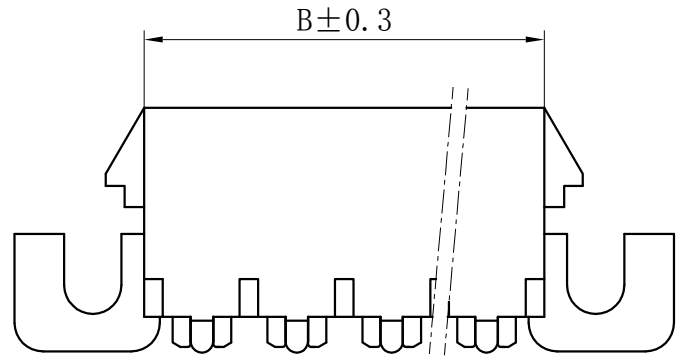
Circuits	Product name	Dimension mm		
		A	B	C
2	42002-2AF	6.30	14.00	30.90
3	42002-3AF	12.60	20.30	37.20
4	42002-4AF	18.90	26.60	43.50
5	42002-5AF	25.20	32.90	49.80
6	42002-6AF	31.50	39.20	56.10

GENERAL TOLERANCES (UNLESS SPECIFIED)		ZHE JIANG DELI CONNECTORS CO., LTD	
.X: ± 0.25	X° : ± 3.0°	PRODUCT NAME:	TITLE: 6.3 mm Pitch Wire To Board Wafer
.XX: ± 0.15	.X° : ± 2.0°	DL63001 (42002)-AF	
.XXX: ± 0.01	.XX° : ± 1.0°	DR: Yuan Jun Rong	DATE: 21/05/20
FINISH:		CHKD: Wu Hui	DATE: 21/05/20
DRAWING NO:		APPD: Ren An De	DATE: 21/05/20
			PART NO:
			SCALE: N/A
			PAGE: 1/1
			UNITS: mm
			REV.: A

REV.	REVISION DESCRIPTION	DATE	APPD

Notes:

- 1 .Rated voltage:300V AC.DC
- 2.Rated current:13A AC.DC MAX
- 3.Contact resistance: $\leq 20m\Omega$
- 4.Insulation resistance: $\geq 1000M\Omega$
- 5.Withstand voltage:1500V AC/minute
- 6.Ambient temperature:-40~105°C
- 7.Materials: Nylon UL94-V0(2)
- 8.Green Material ROHS Compliant



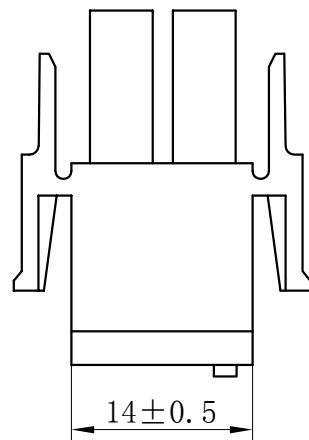
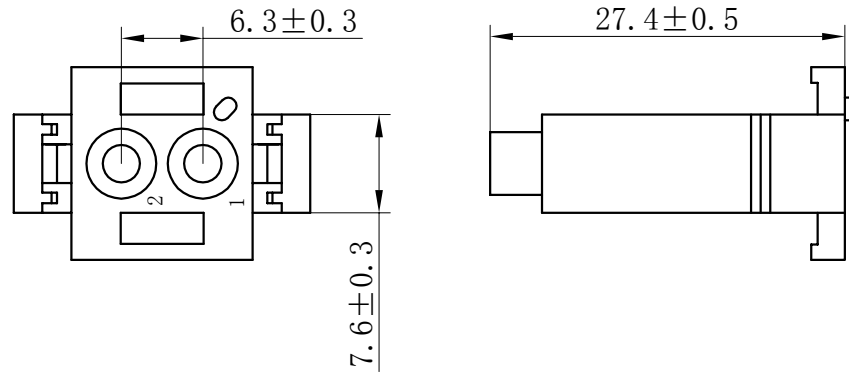
Circuits	Product name	Dimension mm		
		A	B	C
2	42002-2AF0	6.30	14.00	31.20
3	42002-3AF0	12.60	20.30	37.50
4	42002-4AF0	18.90	26.60	43.80
5	42002-5AF0	25.20	32.90	50.10
6	42002-6AF0	31.50	39.20	56.40

GENERAL TOLERANCES (UNLESS SPECIFIED)		ZHE JIANG DELI CONNECTORS CO., LTD	
.X: ± 0.25	X° : ± 3.0°	PRODUCT NAME: DL63001(42002)-AF0	TITLE: 6.3 mm Pitch Wire To Board Wafer
.XX: ± 0.15	.X° : ± 2.0°	DR: Ni Sheng Le	DATE: 21/05/20
.XXX: ± 0.01	.XX° : ± 1.0°	CHKD: Wu Hui	DATE: 21/05/20
FINISH: _____		APPD: Ren An De	DATE: 21/05/20
DRAWING NO:		SCALE: N/A	PAGE: 1/1
		UNITS: mm	REV.: A

REV.	REVISION DESCRIPTION	DATE	APPD

NOTES:

- 1、 Current rating: 13A AC\DC
- 2、 Voltage rating: 300V AC\DC
- 3、 Temperature range: -40°C to 105°C
- 4、 Contact resistance: 20mΩ max
- 5、 Insulation resistance: 1000MΩ min
- 6、 Withstanding voltage: 1500V AC/ minute
- 7、 Materials: Nylon UL94V-0 (2)
- 8、 Green Material Rohs Compliant

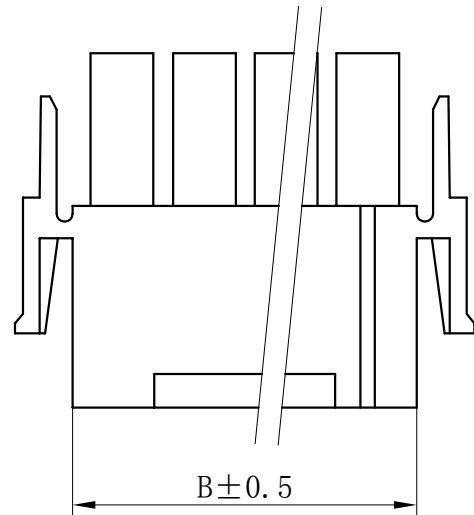
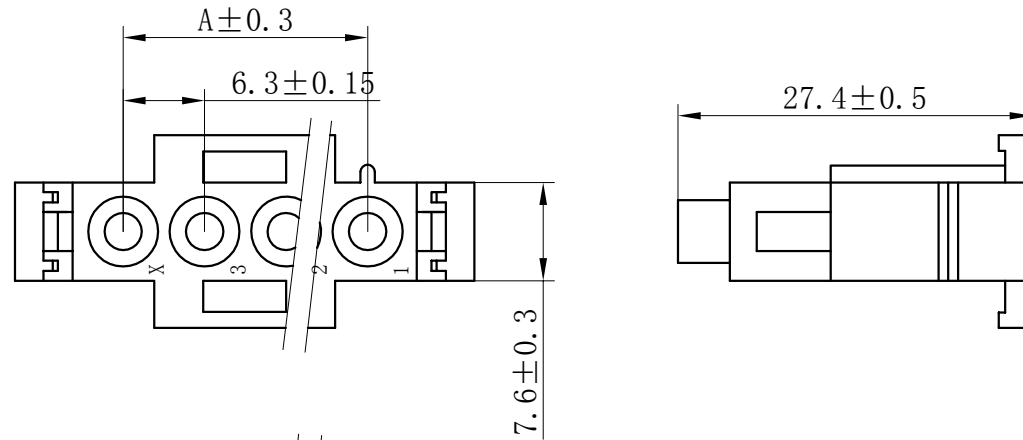


GENERAL TOLERANCES (UNLESS SPECIFIED)		ZHE JIANG DELI CONNECTORS CO., LTD	
.X: ± 0.25	X° : ± 3.0°	PRODUCT NAME:	TITLE: 6.3 mm Pitch Housing
.XX: ± 0.15	.X° : ± 2.0°	DL63001(42021)-2Y	
.XXX: ± 0.01	.XX° : ± 1.0°	DR: Ni sheng le	DATE: 21/05/20
FINISH:		CHKD: Wu hui	DATE: 21/05/20
DRAWING NO:		APPD: Ren An De	DATE: 21/05/20
		SCALE: N/A	PAGE: 1/1
		UNITS: mm	REV.: A

REV.	REVISION DESCRIPTION	DATE	APPD

NOTES:

- 1、 Current rating: 13A AC\DC
- 2、 Voltage rating: 300V AC\DC
- 3、 Temperature range: -40°C to 105°C
- 4、 Contact resistance: 20mΩ max
- 5、 Insulation resistance: 1000MΩ min
- 6、 Withstanding voltage: 1500V AC/ minute
- 7、 Materials: Nylon UL94V-0 (2)
- 8、 Green Material Rohs Compliant



Circuits	Product name	Dimension mm	
		A	B
1X3	42021-3Y	12.6	20.3
1X4	42021-4Y	18.9	26.6
1X5	42021-5Y	25.2	32.9
1X6	42021-6YM	31.5	39.2

GENERAL TOLERANCES (UNLESS SPECIFIED)		ZHE JIANG DELI CONNECTORS CO., LTD	
.X: ± 0.25	X° : ± 3.0°	PRODUCT NAME: DL63001(42021)-Y	TITLE: 6.3 mm Pitch Housing
.XX: ± 0.15	.X° : ± 2.0°	DR: Ni sheng le	DATE: 21/05/20
.XXX: ± 0.01	.XX° : ± 1.0°	DATE: 21/05/20	PART NO:
FINISH:	CHKD: Wu hui	DATE: 21/05/20	SCALE: N/A
DRAWING NO:	APPD: Ren An De	DATE: 21/05/20	PAGE: 1/1
		UNITS: mm	REV.: A

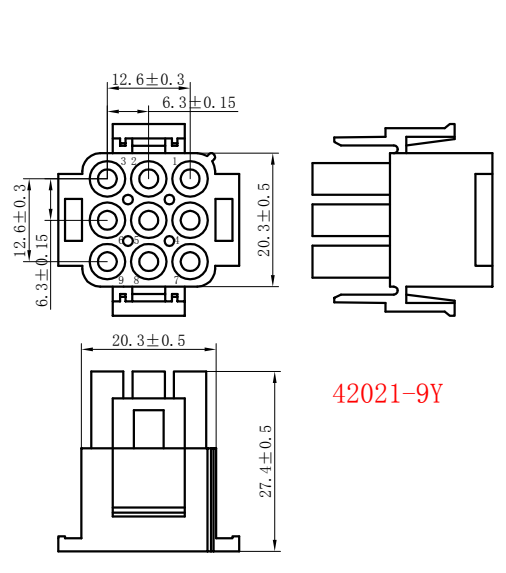
REV.	REVISION DESCRIPTION	DATE	APPD

NOTES:

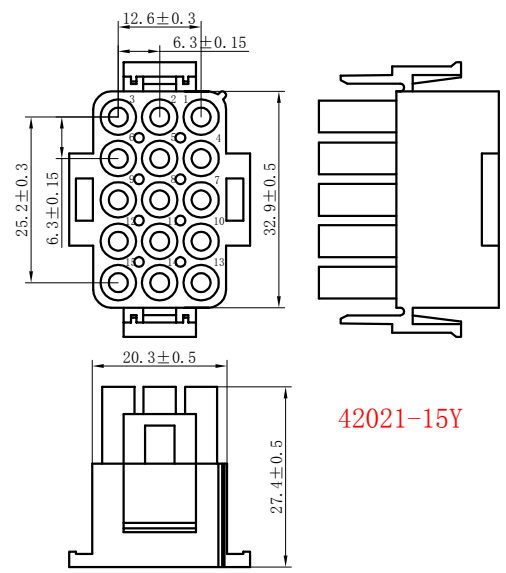
- 1、Current rating: 13A AC\DC
- 2、Voltage rating: 300V AC\DC
- 3、Temperature range: -40℃ to 105℃
- 4、Contact resistance: 20mΩ max
- 5、Insulation resistance: 1000MΩ min
- 6、Withstanding voltage: 1500V AC/ minute
- 7、Materials: Nylon UL94V-0(2)
- 8、Green Material Rohs Compliant

A
B
C
D
E
F

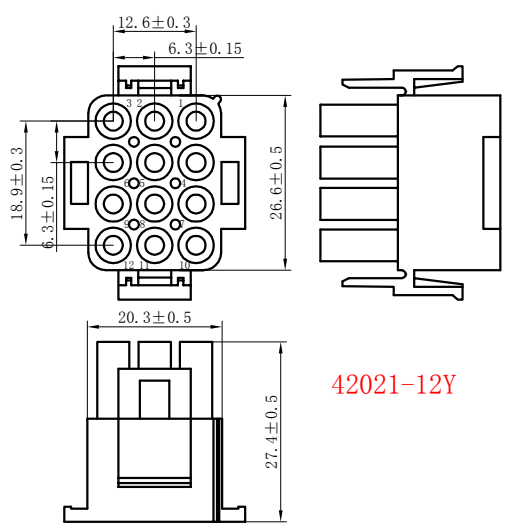
A
B
C
D
E
F



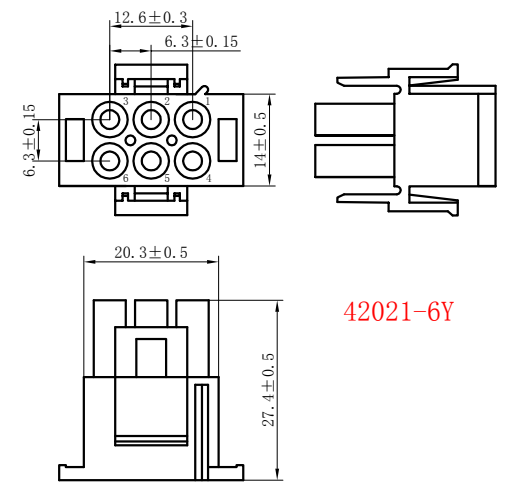
42021-9Y



42021-15Y



42021-12Y



42021-6Y

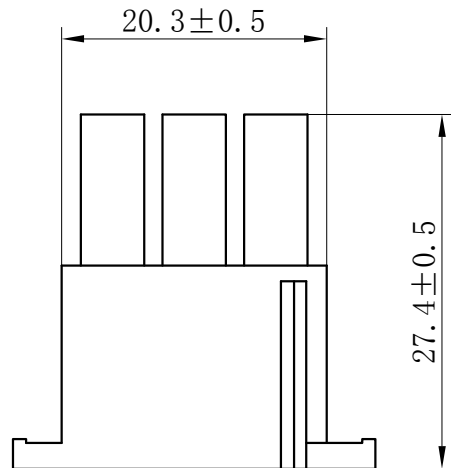
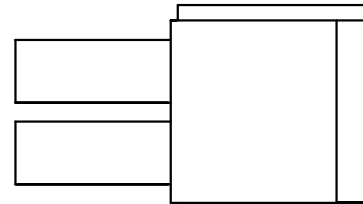
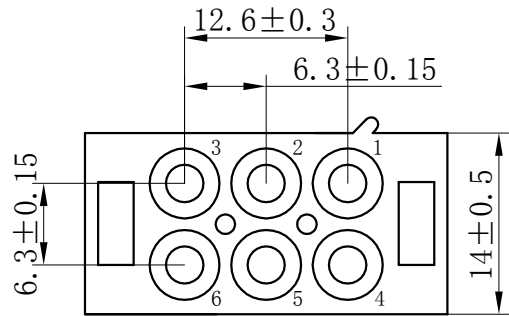
GENERAL TOLERANCES (UNLESS SPECIFIED)		ZHE JIANG DELI CONNECTORS CO., LTD	
.X: ± 0.25	X° : ± 3.0°	PRODUCT NAME: DL63001 (42021)-Y	TITLE: 6.3 mm Pitch Housing
.XX: ± 0.15	.X° : ± 2.0°	DR: Ni sheng le	DATE: 21/05/20
.XXX: ± 0.01	.XX° : ± 1.0°	DATE: 21/05/20	PART NO:
FINISH:		CHKD: Wu hui	DATE: 21/05/20
DRAWING NO:		APPD: Ren An De	DATE: 21/05/20
		SCALE: N/A	PAGE: 1/1
		UNITS: mm	REV.: A

1 2 3 4 5 6 7 8

REV.	REVISION DESCRIPTION	DATE	APPD

NOTES:

- 1、 Current rating: 13A AC\DC
- 2、 Voltage rating: 300V AC\DC
- 3、 Temperature range: -40°C to 105°C
- 4、 Contact resistance: 20mΩ max
- 5、 Insulation resistance: 1000MΩ min
- 6、 Withstanding voltage: 1500V AC/ minute
- 7、 Materials: Nylon UL94V-0 (2)
- 8、 Green Material Rohs Compliant

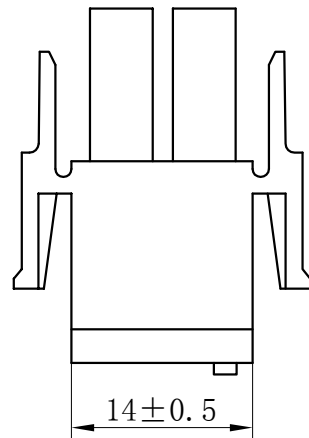
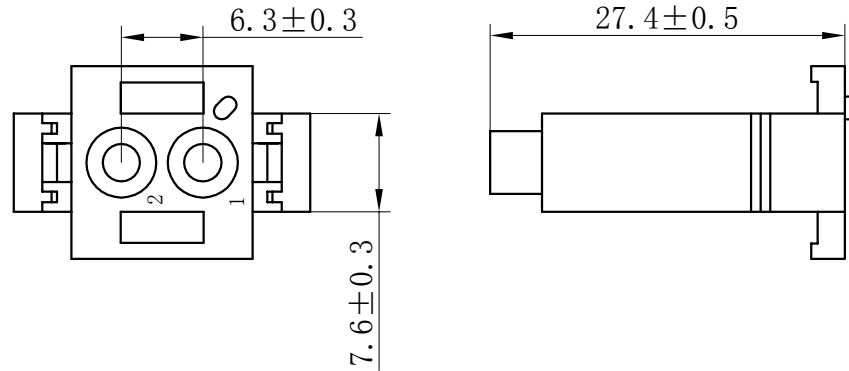


GENERAL TOLERANCES (UNLESS SPECIFIED)		ZHE JIANG DELI CONNECTORS CO., LTD	
.X: ± 0.25	X° : ± 3.0°	PRODUCT NAME:	TITLE: 6.3 mm Pitch Housing
.XX: ± 0.15	.X° : ± 2.0°	DL63001(42021)-6Y-WG	
.XXX: ± 0.01	.XX° : ± 1.0°	DR: Ni sheng le	DATE: 21/05/20
FINISH:		CHKD: Wu hui	DATE: 21/05/20
DRAWING NO:		APPD: Ren An De	DATE: 21/05/20
		SCALE: N/A	PAGE: 1/1
		UNITS: mm	REV.: A

REV.	REVISION DESCRIPTION	DATE	APPD

NOTES:

- 1、 Current rating: 13A AC\DC
- 2、 Voltage rating: 300V AC\DC
- 3、 Temperature range: -40°C to 105°C
- 4、 Contact resistance: 20mΩ max
- 5、 Insulation resistance: 1000MΩ min
- 6、 Withstanding voltage: 1500V AC/ minute
- 7、 Materials: Nylon UL94V-0
- 8、 Green Material Rohs Compliant

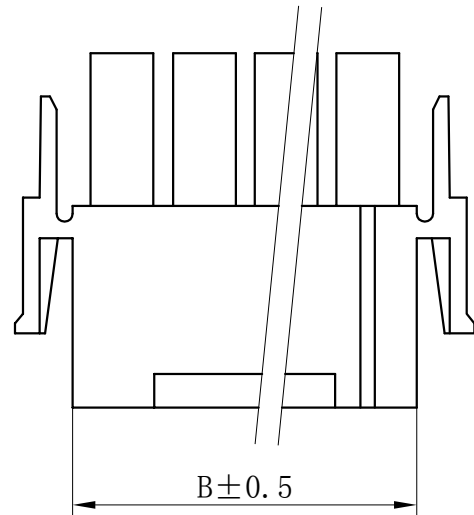
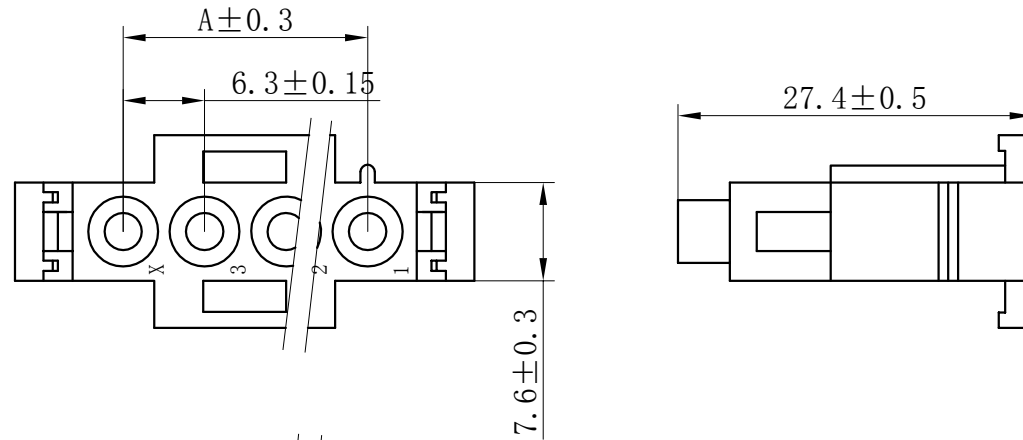


GENERAL TOLERANCES (UNLESS SPECIFIED)		ZHE JIANG DELI CONNECTORS CO., LTD	
.X: ± 0.25	X° : ± 3.0°	PRODUCT NAME:	TITLE: 6.3 mm Pitch Housing
.XX: ± 0.15	.X° : ± 2.0°	DL63001(42021)-2Y-V0	
.XXX: ± 0.01	.XX° : ± 1.0°	DR: Ni sheng le	DATE: 21/05/20
FINISH:		CHKD: Wu hui	DATE: 21/05/20
DRAWING NO:		APPD: Ren An De	DATE: 21/05/20
		SCALE: N/A	PAGE: 1/1
		UNITS: mm	REV.: A

REV.	REVISION DESCRIPTION	DATE	APPD

NOTES:

- 1、 Current rating: 13A AC\DC
- 2、 Voltage rating: 300V AC\DC
- 3、 Temperature range: -40°C to 105°C
- 4、 Contact resistance: 20mΩ max
- 5、 Insulation resistance: 1000MΩ min
- 6、 Withstanding voltage: 1500V AC/ minute
- 7、 Materials: Nylon UL94V-0
- 8、 Green Material Rohs Compliant



Circuits	Product name	Dimension mm	
		A	B
1X3	42021-3Y-V0	12.6	20.3
1X4	42021-4Y-V0	18.9	26.6
1X5	42021-5Y-V0	25.2	32.9
1X6	42021-6YM-V0	31.5	39.2

GENERAL TOLERANCES (UNLESS SPECIFIED)		ZHE JIANG DELI CONNECTORS CO., LTD	
.X: ± 0.25	X° : ± 3.0°	PRODUCT NAME: DL63001(42021)-Y-V0	TITLE: 6.3 mm Pitch Housing
.XX: ± 0.15	.X° : ± 2.0°	DR: Ni sheng le	DATE: 21/05/20
.XXX: ± 0.01	.XX° : ± 1.0°	DATE: 21/05/20	PART NO:
FINISH:		CHKD: Wu hui	DATE: 21/05/20
DRAWING NO:	APPD: Ren An De	DATE: 21/05/20	SCALE: N/A
			PAGE: 1/1
			UNITS: mm
			REV.: A

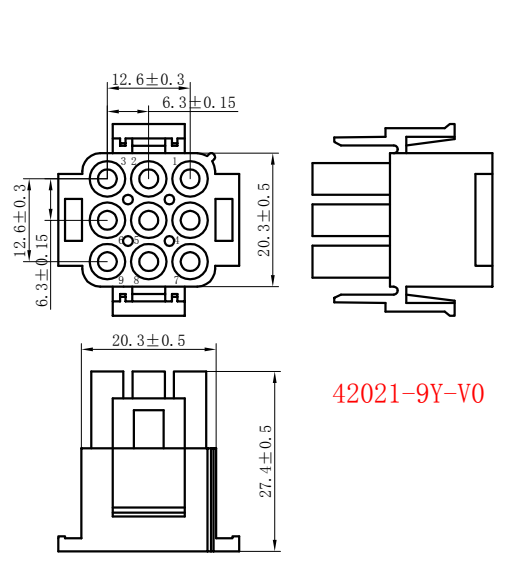
REV.	REVISION DESCRIPTION	DATE	APPD

NOTES:

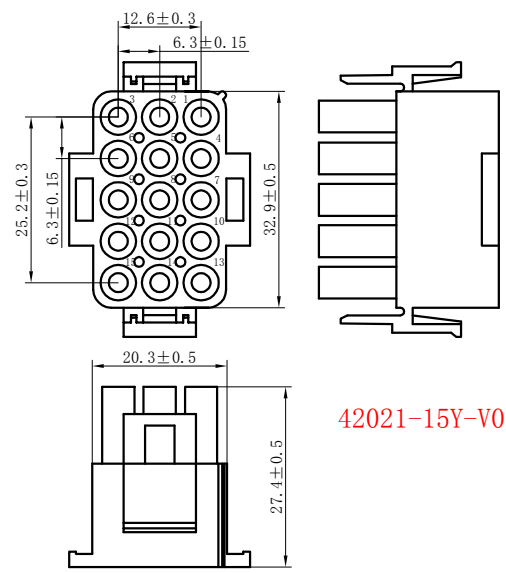
- 1、Current rating: 13A AC\DC
- 2、Voltage rating: 300V AC\DC
- 3、Temperature range: -40℃ to 105℃
- 4、Contact resistance: 20mΩ max
- 5、Insulation resistance: 1000MΩ min
- 6、Withstanding voltage: 1500V AC/ minute
- 7、Materials: Nylon UL94V-0
- 8、Green Material Rohs Compliant

A
B
C
D
E
F

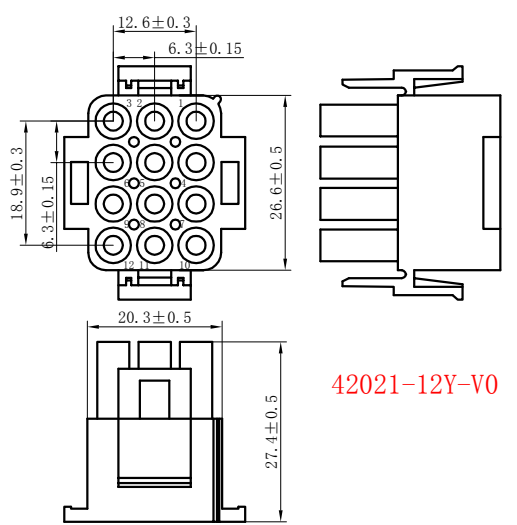
A
B
C
D
E
F



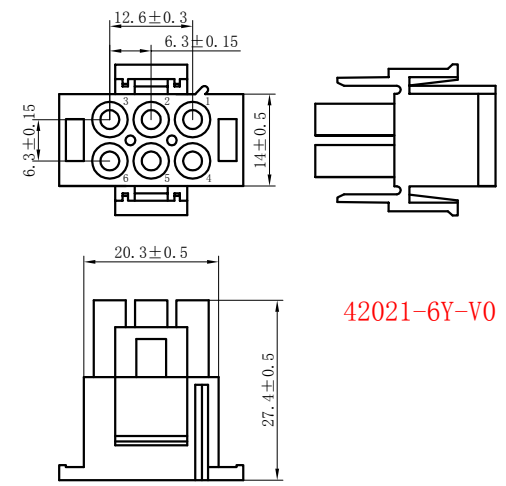
42021-9Y-V0



42021-15Y-V0



42021-12Y-V0



42021-6Y-V0

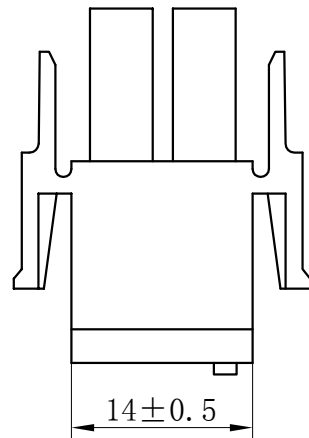
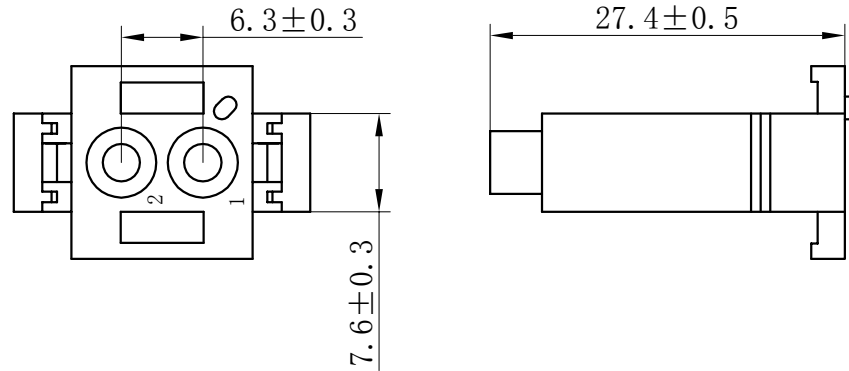
GENERAL TOLERANCES (UNLESS SPECIFIED)		ZHE JIANG DELI CONNECTORS CO., LTD	
.X: ± 0.25	X° : ± 3.0°	PRODUCT NAME:	TITLE: 6.3 mm Pitch Housing
.XX: ± 0.15	.X° : ± 2.0°	DL63001 (42021)-Y-V0	
.XXX: ± 0.01	.XX° : ± 1.0°	DR: Ni sheng le	DATE: 21/05/20
FINISH:		CHKD: Wu hui	DATE: 21/05/20
DRAWING NO:		APPD: Ren An De	DATE: 21/05/20
		SCALE: N/A	PAGE: 1/1
		UNITS: mm	REV.: A

1 2 3 4 5 6 7 8

REV.	REVISION DESCRIPTION	DATE	APPD

NOTES:

- 1、 Current rating: 13A AC\DC
- 2、 Voltage rating: 300V AC\DC
- 3、 Temperature range: -40°C to 105°C
- 4、 Contact resistance: 20mΩ max
- 5、 Insulation resistance: 1000MΩ min
- 6、 Withstanding voltage: 1500V AC/ minute
- 7、 Materials: Nylon 750°C UL94V-0
- 8、 Green Material Rohs Compliant

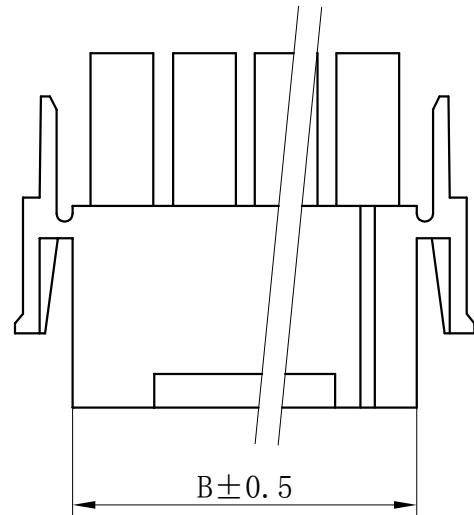
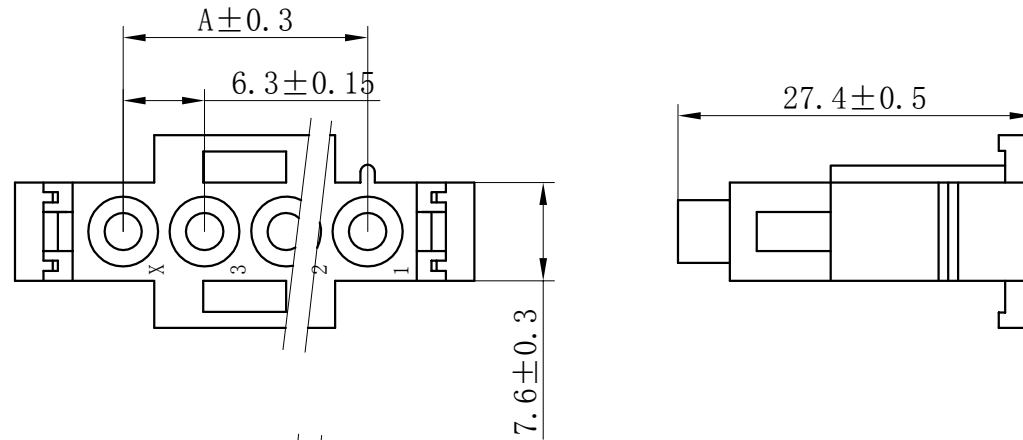


GENERAL TOLERANCES (UNLESS SPECIFIED)		ZHE JIANG DELI CONNECTORS CO., LTD	
.X: ± 0.25	X° : ± 3.0°	PRODUCT NAME:	TITLE: 6.3 mm Pitch Housing
.XX: ± 0.15	.X° : ± 2.0°	DL63001 (42021)-2Y-750	
.XXX: ± 0.01	.XX° : ± 1.0°	DR: Ni sheng le	DATE: 21/05/20
FINISH:		CHKD: Wu hui	DATE: 21/05/20
DRAWING NO:		APPD: Ren An De	DATE: 21/05/20
		SCALE: N/A	PAGE: 1/1
		UNITS: mm	REV.: A

REV.	REVISION DESCRIPTION	DATE	APPD

NOTES:

- 1、 Current rating: 13A AC\DC
- 2、 Voltage rating: 300V AC\DC
- 3、 Temperature range: -40°C to 105°C
- 4、 Contact resistance: 20mΩ max
- 5、 Insulation resistance: 1000MΩ min
- 6、 Withstanding voltage: 1500V AC/ minute
- 7、 Materials: Nylon 750°C UL94V-0
- 8、 Green Material Rohs Compliant



Circuits	Product name	Dimension mm	
		A	B
1X3	42021-3Y-750	12.6	20.3
1X4	42021-4Y-750	18.9	26.6
1X5	42021-5Y-750	25.2	32.9
1X6	42021-6YM-750	31.5	39.2

GENERAL TOLERANCES (UNLESS SPECIFIED)		ZHE JIANG DELI CONNECTORS CO., LTD	
.X: ± 0.25	X° : ± 3.0°	PRODUCT NAME: DL63001(42021)-Y-750	TITLE: 6.3 mm Pitch Housing
.XX: ± 0.15	.X° : ± 2.0°	DR: Ni sheng le	DATE: 21/05/20
.XXX: ± 0.01	.XX° : ± 1.0°	DATE: 21/05/20	PART NO:
FINISH:	CHKD: Wu hui	DATE: 21/05/20	SCALE: N/A
DRAWING NO:	APPD: Ren An De	DATE: 21/05/20	PAGE: 1/1
		UNITS: mm	REV.: A

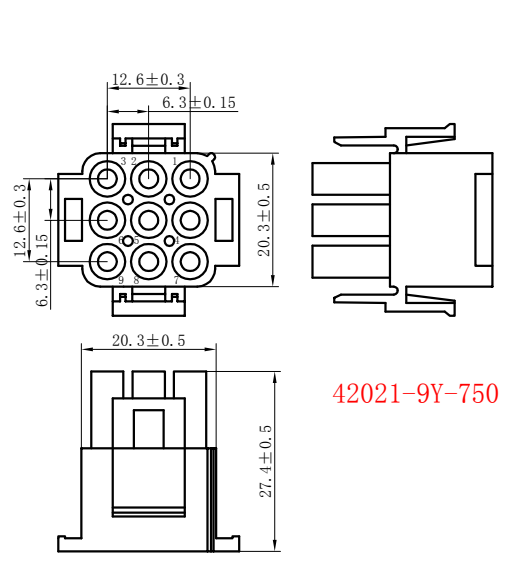
REV.	REVISION DESCRIPTION	DATE	APPD

NOTES:

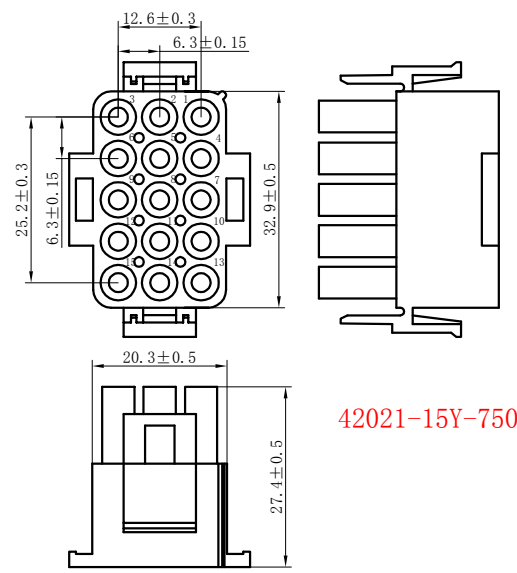
- 1、Current rating: 13A AC\DC
- 2、Voltage rating: 300V AC\DC
- 3、Temperature range: -40℃ to 105℃
- 4、Contact resistance: 20mΩ max
- 5、Insulation resistance: 1000MΩ min
- 6、Withstanding voltage: 1500V AC/ minute
- 7、Materials: Nylon 750℃ UL94V-0
- 8、Green Material Rohs Compliant

A
B
C
D
E
F

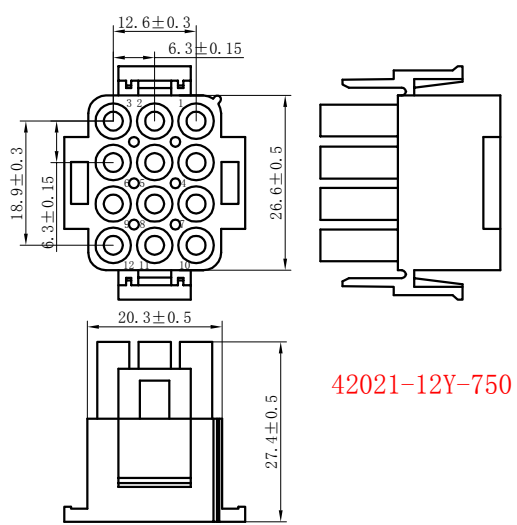
A
B
C
D
E
F



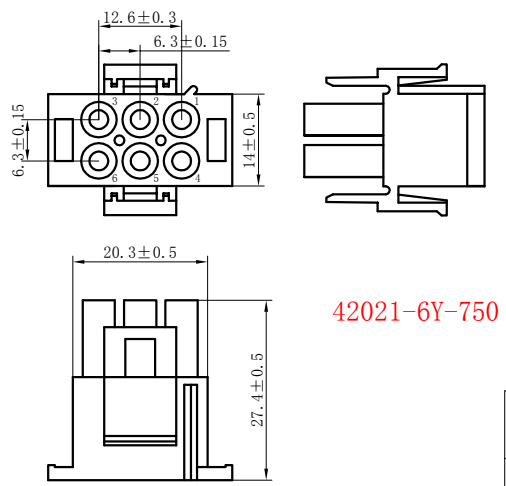
42021-9Y-750



42021-15Y-750



42021-12Y-750

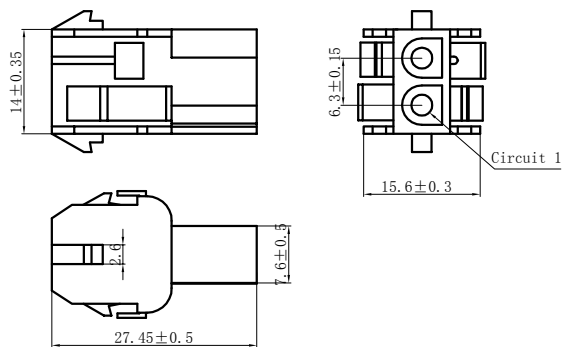


42021-6Y-750

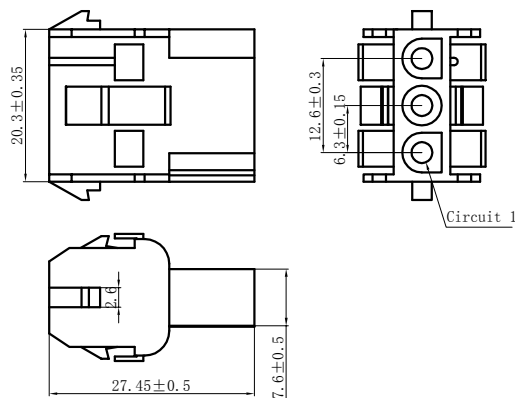
GENERAL TOLERANCES (UNLESS SPECIFIED)		ZHE JIANG DELI CONNECTORS CO., LTD	
.X: ± 0.25	X°: ± 3.0°	PRODUCT NAME: DL63001 (42021)-Y-750	TITLE: 6.3 mm Pitch Housing
.XX: ± 0.15	.X°: ± 2.0°	DR: Ni sheng le	DATE: 21/05/20
.XXX: ± 0.01	.XX°: ± 1.0°	DATE: 21/05/20	PART NO:
FINISH:		CHKD: Wu hui	DATE: 21/05/20
DRAWING NO:		APPD: Ren An De	DATE: 21/05/20
		SCALE: N/A	PAGE: 1/1
		UNITS: mm	REV.: A

1 2 3 4 5 6 7 8

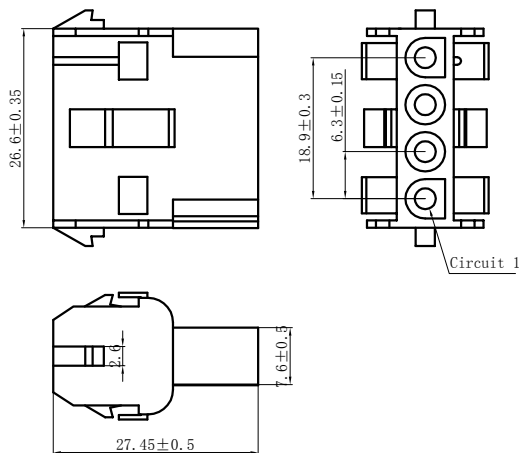
42002-2R



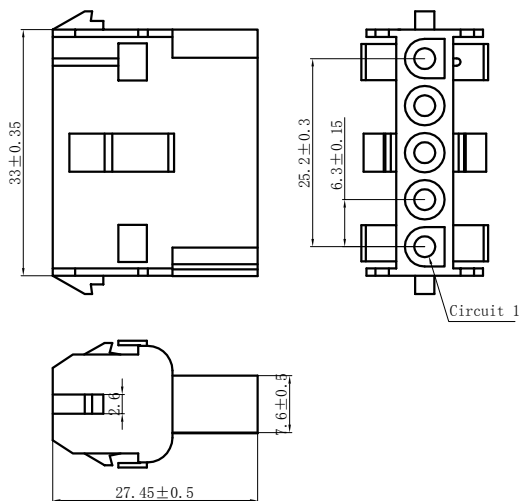
42002-3R



42002-4R



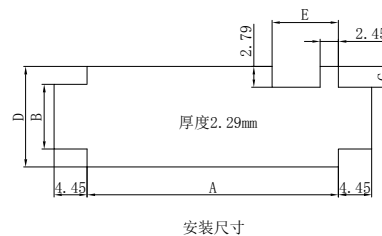
42002-5R



REV.	REVISION DESCRIPTION	DATE	APPD

NOTES:

- 1、Current rating: 13A AC\DC
- 2、Voltage rating: 300V AC\DC
- 3、Temperature range: -40°C to 105°C
- 4、Contact resistance: 20mΩ max
- 5、Insulation resistance: 1000MΩ min
- 6、Withstanding voltage: 1500V AC/ minute
- 7、Materials: Nylon UL94V-0(2)
- 8、Green Material Rohs Compliant



Circuits	Product name	Applicable PC board thickness (mm)				
		A	B	C	D	E
1×2	42022-2R	14.35	8.64	2.41	13.46	6.35
1×3	42022-3R	20.70	8.64	2.41	13.46	6.35
1×4	42022-4R	27.05	8.64	2.41	13.46	6.35
1×5	42022-5R	33.40	8.64	2.41	13.46	6.35

GENERAL TOLERANCES
(UNLESS SPECIFIED)

ZHE JIANG DELI CONNECTORS CO., LTD

.X: ± 0.25
.XX: ± 0.15
.XXX: ± 0.01

X°: ± 3.0°
.X°: ± 2.0°
.XX°: ± 1.0°

PRODUCT NAME:
DL63001 (42022)-R

DATE: 22/05/20

DR: Yuan Jun Rong

CHKD: Wu Hui

APPD: Ren An De

TITLE:
6.3 mm Pitch
Wire To Wire Housing

PART NO:

SCALE: N/A

UNITS: mm

FINISH:

DRAWING NO:

DATE: 22/05/20

DATE: 22/05/20

DATE: 22/05/20

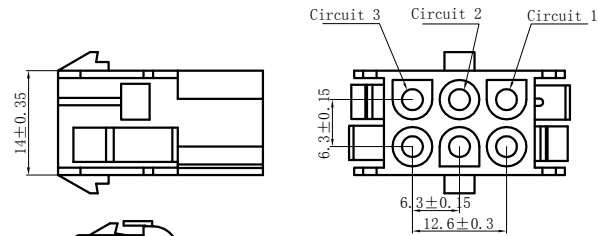
PAGE: 1/2

REV.: A

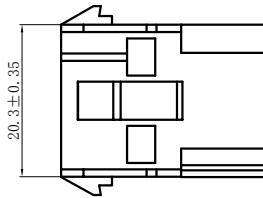
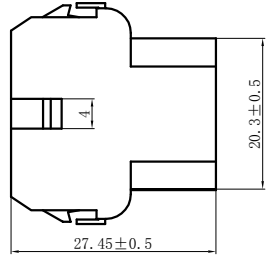
REV.	REVISION DESCRIPTION	DATE	APPD

NOTES:

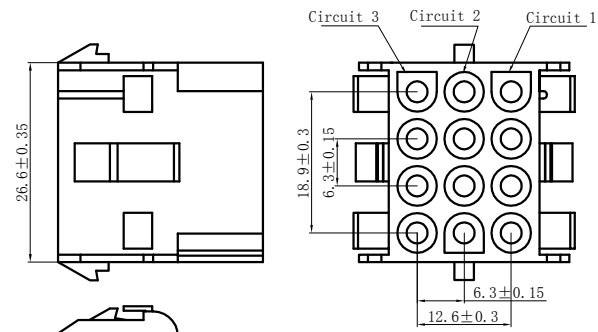
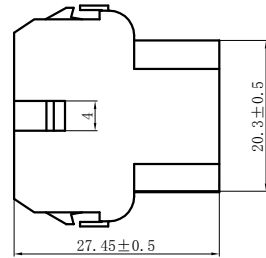
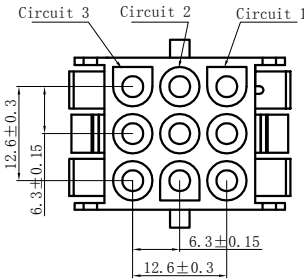
- 1、Current rating: 13A AC\DC
- 2、Voltage rating: 300V AC\DC
- 3、Temperature range: -40°C to 105°C
- 4、Contact resistance: 20mΩ max
- 5、Insulation resistance: 1000MΩ min
- 6、Withstanding voltage: 1500V AC/ minute
- 7、Materials: Nylon UL94V-0(2)
- 8、Green Material Rohs Compliant



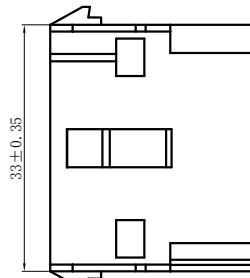
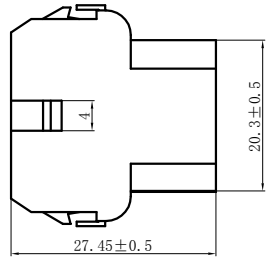
42002-6R



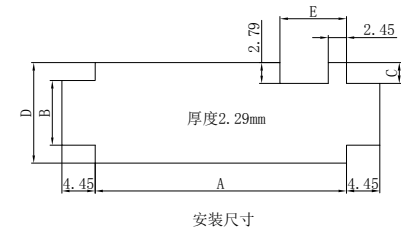
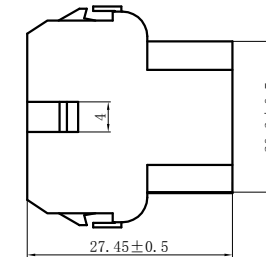
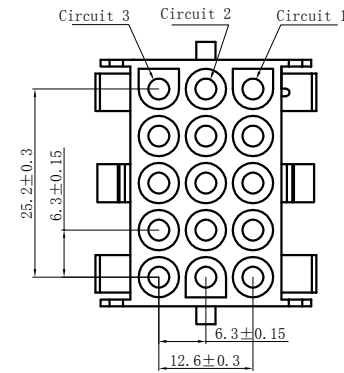
42002-9R



42002-12R



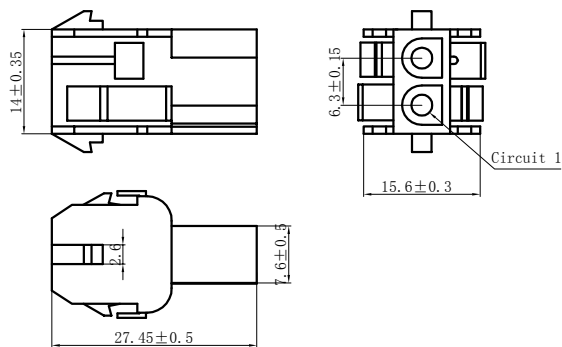
42002-15R



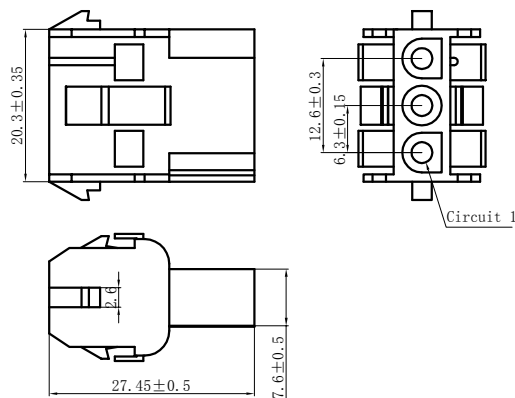
Circuits	Type	Applicable PC board thickness (mm)				
		A	B	C	D	E
2×3	42022-6R	14.35	12.90	6.99	26.13	6.35
3×3	42022-9R	20.70	12.90	6.99	26.13	6.35
3×4	42022-12R	27.05	12.90	6.99	26.13	6.35
3×5	42022-15R	33.40	12.90	6.99	26.13	6.35

GENERAL TOLERANCES (UNLESS SPECIFIED)		ZHE JIANG DELI CONNECTORS CO., LTD	
.X: ± 0.25	X°: ± 3.0°	PRODUCT NAME: DL63001 (42022)-R	TITLE: 6.3 mm Pitch Wire To Wire Housing
.XX: ± 0.15	.X°: ± 2.0°	DR: Yuan Jun Rong	DATE: 22/05/20
.XXX: ± 0.01	.XX°: ± 1.0°	DATE: 22/05/20	PART NO:
FINISH:		CHKD: Wu Hui	DATE: 22/05/20
DRAWING NO:		APPD: Ren An De	DATE: 22/05/20
		SCALE: N/A	PAGE: 2/2
		UNITS: mm	REV.: A

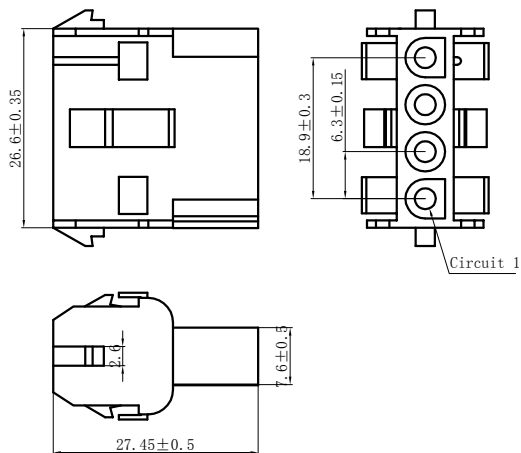
42002-2R-V0



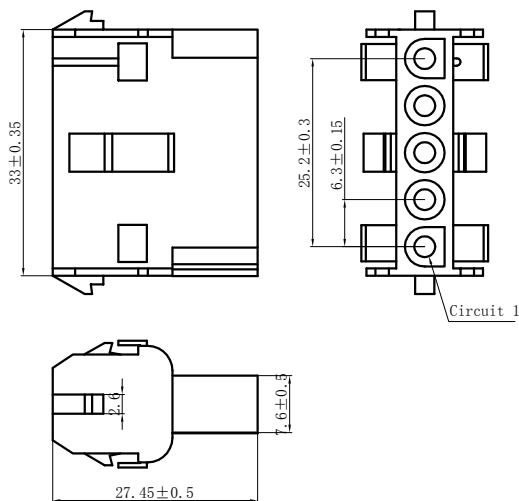
42002-3R-V0



42002-4R-V0



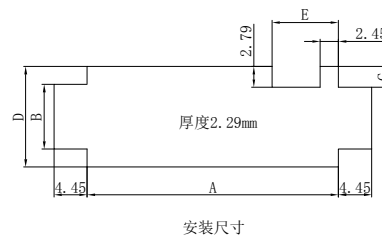
42002-5R-V0



REV.	REVISION DESCRIPTION	DATE	APPD

NOTES:

- 1、Current rating: 13A AC\DC
- 2、Voltage rating: 300V AC\DC
- 3、Temperature range: -40°C to 105°C
- 4、Contact resistance: 20mΩ max
- 5、Insulation resistance: 1000MΩ min
- 6、Withstanding voltage: 1500V AC/ minute
- 7、Materials: Nylon UL94V-0
- 8、Green Material Rohs Compliant



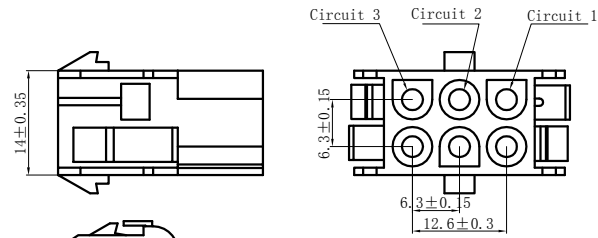
Circuits	Product name	Applicable PC board thickness (mm)				
		A	B	C	D	E
1×2	42022-2R-V0	14.35	8.64	2.41	13.46	6.35
1×3	42022-3R-V0	20.70	8.64	2.41	13.46	6.35
1×4	42022-4R-V0	27.05	8.64	2.41	13.46	6.35
1×5	42022-5R-V0	33.40	8.64	2.41	13.46	6.35

GENERAL TOLERANCES (UNLESS SPECIFIED)		ZHE JIANG DELI CONNECTORS CO., LTD	
.X: ± 0.25	X°: ± 3.0°	PRODUCT NAME: DL63001 (42022)-R-V0	TITLE: 6.3 mm Pitch Wire To Wire Housing
.XX: ± 0.15	.X°: ± 2.0°	DR: Yuan Jun Rong	DATE: 22/05/20
.XXX: ± 0.01	.XX°: ± 1.0°	CHKD: Wu Hui	DATE: 22/05/20
FINISH:		APPD: Ren An De	DATE: 22/05/20
DRAWING NO:		UNITS: mm	PAGE: 1/2
			REV.: A

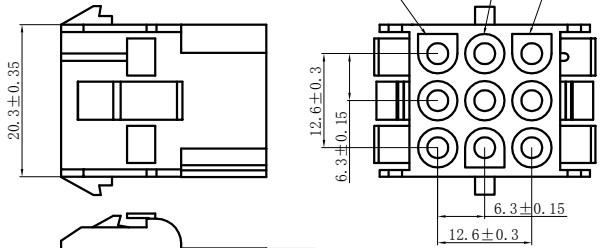
REV.	REVISION DESCRIPTION	DATE	APPD

NOTES:

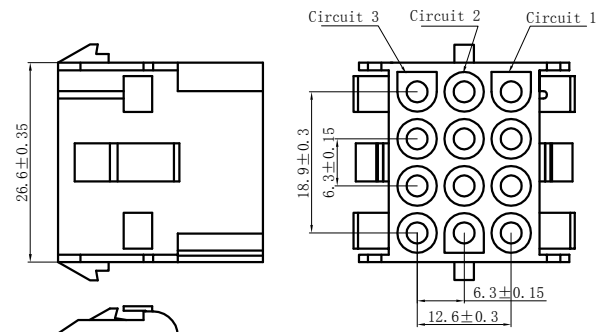
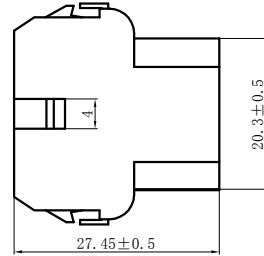
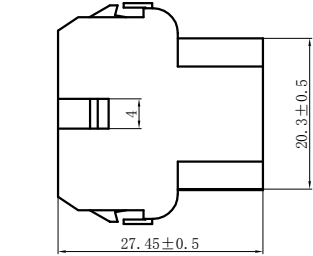
- 1、Current rating: 13A AC\DC
- 2、Voltage rating: 300V AC\DC
- 3、Temperature range: -40°C to 105°C
- 4、Contact resistance: 20mΩ max
- 5、Insulation resistance: 1000MΩ min
- 6、Withstanding voltage: 1500V AC/ minute
- 7、Materials: Nylon UL94V-0
- 8、Green Material Rohs Compliant



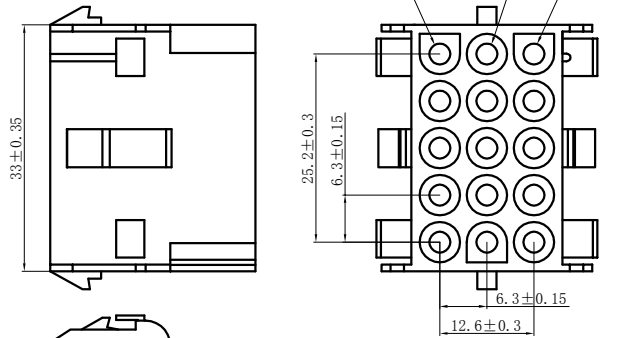
42002-6R-V0



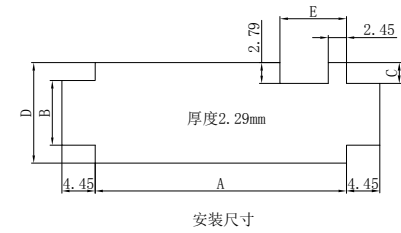
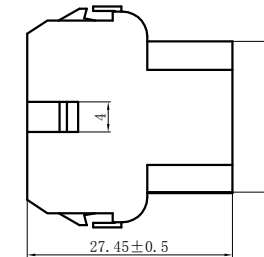
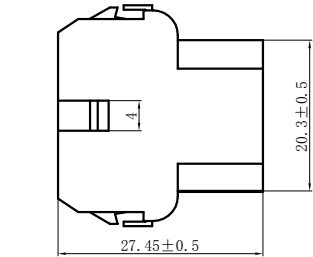
42002-9R-V0



42002-12R-V0



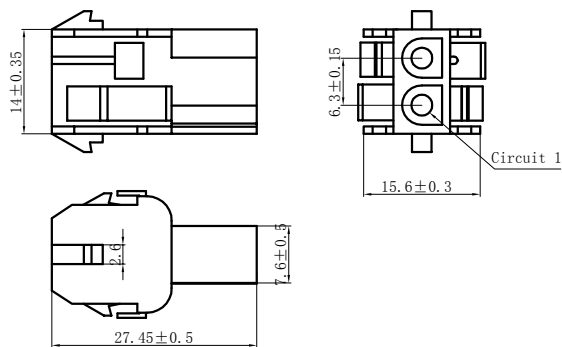
42002-15R-V0



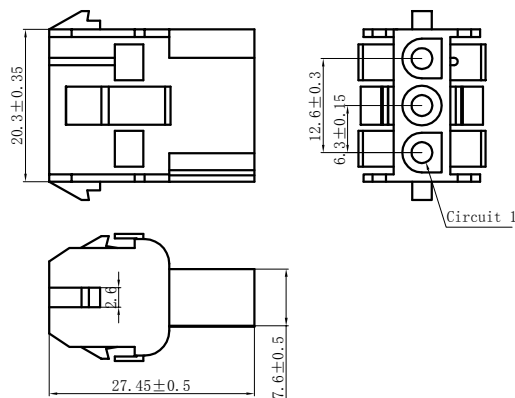
Circuits	Type	Applicable PC board thickness (mm)				
		A	B	C	D	E
2×3	42022-6R-V0	14.35	12.90	6.99	26.13	6.35
3×3	42022-9R-V0	20.70	12.90	6.99	26.13	6.35
3×4	42022-12R-V0	27.05	12.90	6.99	26.13	6.35
3×5	42022-15R-V0	33.40	12.90	6.99	26.13	6.35

GENERAL TOLERANCES (UNLESS SPECIFIED)		ZHE JIANG DELI CONNECTORS CO., LTD	
.X: ± 0.25	X°: ± 3.0°	PRODUCT NAME: DL63001 (42022)-R-V0	TITLE: 6.3 mm Pitch Wire To Wire Housing
.XX: ± 0.15	.X°: ± 2.0°	DR: Yuan Jun Rong	DATE: 22/05/20
.XXX: ± 0.01	.XX°: ± 1.0°	DATE: 22/05/20	PART NO:
FINISH:		CHKD: Wu Hui	DATE: 22/05/20
DRAWING NO:		APPD: Ren An De	DATE: 22/05/20
		SCALE: N/A	PAGE: 2/2
		UNITS: mm	REV.: A

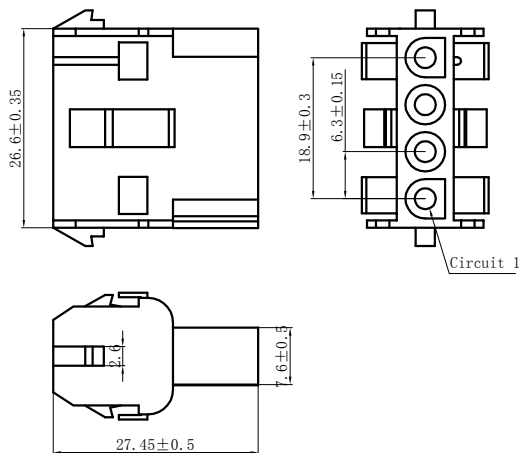
42002-2R-750



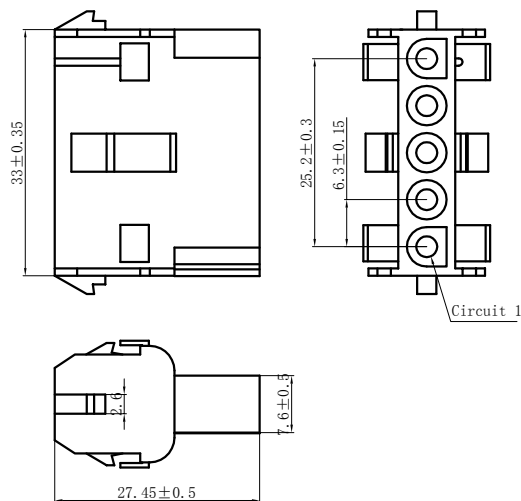
42002-3R-750



42002-4R-750



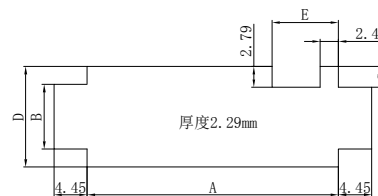
42002-5R-750



REV.	REVISION DESCRIPTION	DATE	APPD

NOTES:

- 1、Current rating: 13A AC\DC
- 2、Voltage rating: 300V AC\DC
- 3、Temperature range: -40°C to 105°C
- 4、Contact resistance: 20mΩ max
- 5、Insulation resistance: 1000MΩ min
- 6、Withstanding voltage: 1500V AC/ minute
- 7、Materials: Nylon 750°C UL94V-0
- 8、Green Material Rohs Compliant



安装尺寸

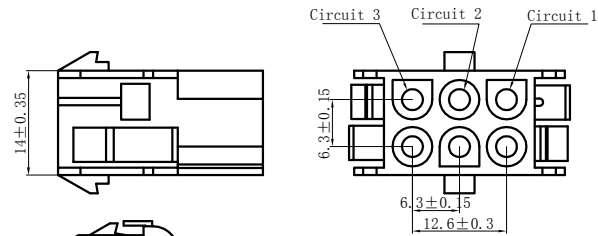
Circuits	Product name	Applicable PC board thickness (mm)				
		A	B	C	D	E
1×2	42022-2R-750	14.35	8.64	2.41	13.46	6.35
1×3	42022-3R-750	20.70	8.64	2.41	13.46	6.35
1×4	42022-4R-750	27.05	8.64	2.41	13.46	6.35
1×5	42022-5R-750	33.40	8.64	2.41	13.46	6.35

GENERAL TOLERANCES (UNLESS SPECIFIED)		ZHE JIANG DELI CONNECTORS CO., LTD	
.X: ± 0.25	X°: ± 3.0°	PRODUCT NAME: DL63001(42022)-R-750	TITLE: 6.3 mm Pitch Wire To Wire Housing
.XX: ± 0.15	.X°: ± 2.0°	DR: Yuan Jun Rong	DATE: 22/05/20
.XXX: ± 0.01	.XX°: ± 1.0°	CHKD: Wu Hui	DATE: 22/05/20
FINISH:		APPD: Ren An De	DATE: 22/05/20
DRAWING NO:		UNITS: mm	PAGE: 1/2
			REV.: A

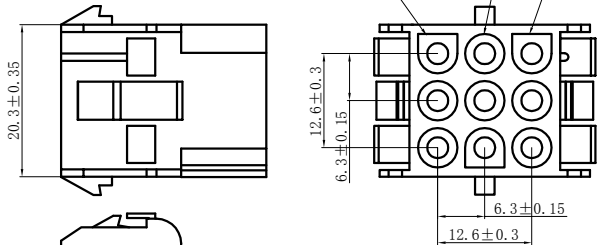
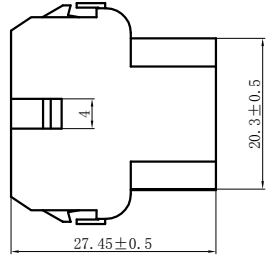
REV.	REVISION DESCRIPTION	DATE	APPD

NOTES:

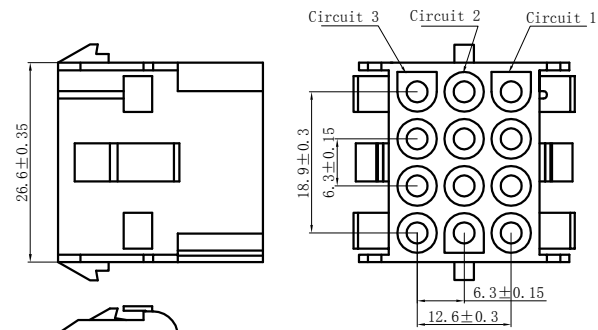
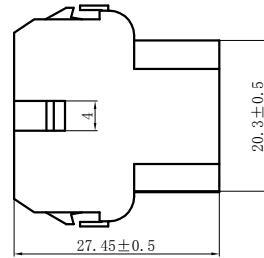
- 1、Current rating: 13A AC\DC
- 2、Voltage rating: 300V AC\DC
- 3、Temperature range: -40°C to 105°C
- 4、Contact resistance: 20mΩ max
- 5、Insulation resistance: 1000MΩ min
- 6、Withstanding voltage: 1500V AC/ minute
- 7、Materials: Nylon 750°C UL94V-0
- 8、Green Material Rohs Compliant



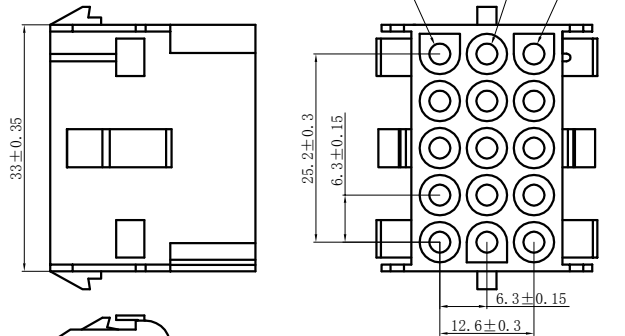
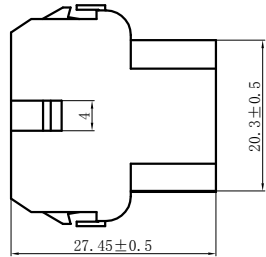
42002-6R-750



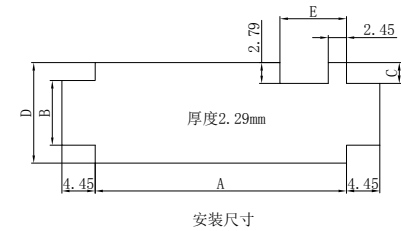
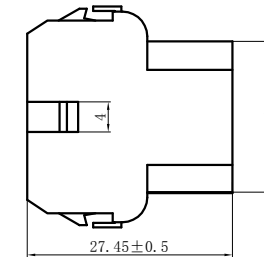
42002-9R-750



42002-12R-750



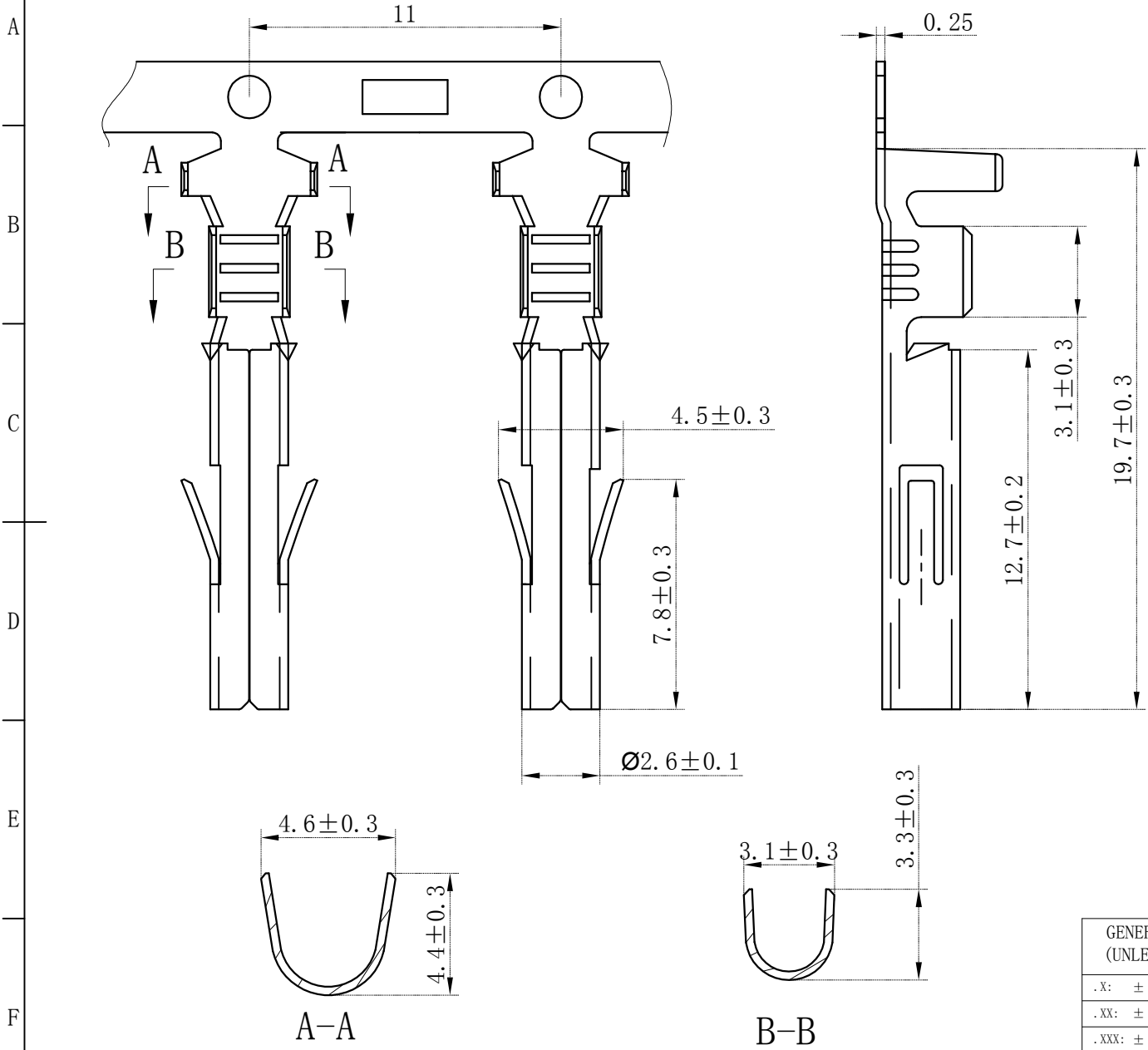
42002-15R-750



Circuits	Type	Applicable PC board thickness (mm)				
		A	B	C	D	E
2×3	42022-6R-750	14.35	12.90	6.99	26.13	6.35
3×3	42022-9R-750	20.70	12.90	6.99	26.13	6.35
3×4	42022-12R-750	27.05	12.90	6.99	26.13	6.35
3×5	42022-15R-750	33.40	12.90	6.99	26.13	6.35

GENERAL TOLERANCES (UNLESS SPECIFIED)		ZHE JIANG DELI CONNECTORS CO., LTD	
.X: ± 0.25	X°: ± 3.0°	PRODUCT NAME: DL63001 (42022)-R-750	TITLE: 6.3 mm Pitch Wire To Wire Housing
.XX: ± 0.15	.X°: ± 2.0°	DR: Yuan Jun Rong	DATE: 22/05/20
.XXX: ± 0.01	.XX°: ± 1.0°	DATE: 22/05/20	PART NO:
FINISH:		CHKD: Wu Hui	DATE: 22/05/20
DRAWING NO:		APPD: Ren An De	DATE: 22/05/20
		SCALE: N/A	PAGE: 2/2
		UNITS: mm	REV.: A

REV.	REVISION DESCRIPTION	DATE	APPD

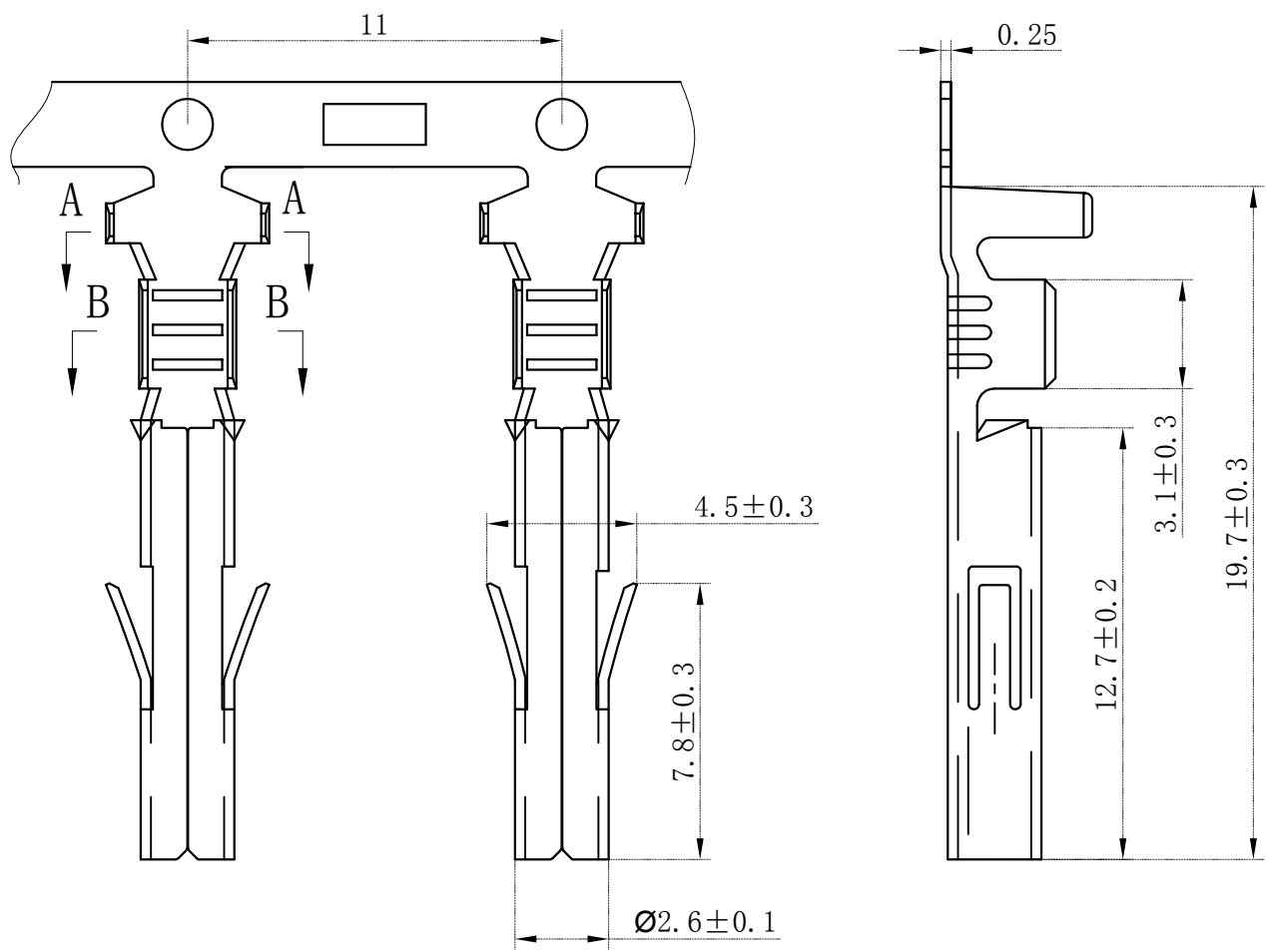


NOTES

Used in DL63001-Y Series Housing.
 Accepts AWG #20~16 Wire Range.
 Material : Phosphor Bronze .
 Finish: Tin plated.
 Thickness: 0.25 mm.

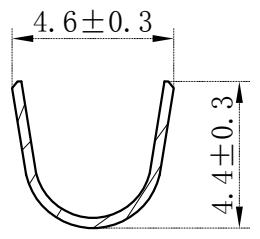
GENERAL TOLERANCES (UNLESS SPECIFIED)		ZHE JIANG DELI CONNECTORS CO., LTD	
.X: ± 0.25	X°: ± 3.0°	PRODUCT NAME:	TITLE: 6.30 mm Pitch Crimp Terminal
.XX: ± 0.15	.X°: ± 2.0°	DL63001(42024)-T	
.XXX: ± 0.01	.XX°: ± 1.0°	DR: Ni Sheng Le	DATE: 21/05/20
FINISH:		CHKD: Wu Hui	DATE: 21/05/20
DRAWING NO:		APPD: Ren An De	DATE: 21/05/20
		SCALE: N/A	PAGE: 1/1
		UNITS: mm	REV.: A

REV.	REVISION DESCRIPTION	DATE	APPD

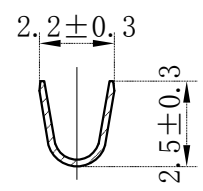


NOTES

Used in DL63001-Y Series Housing.
 Accepts AWG #20~18 Wire Range.
 Material : Phosphor Bronze .
 Finish: Tin plated.
 Thickness: 0.25 mm.



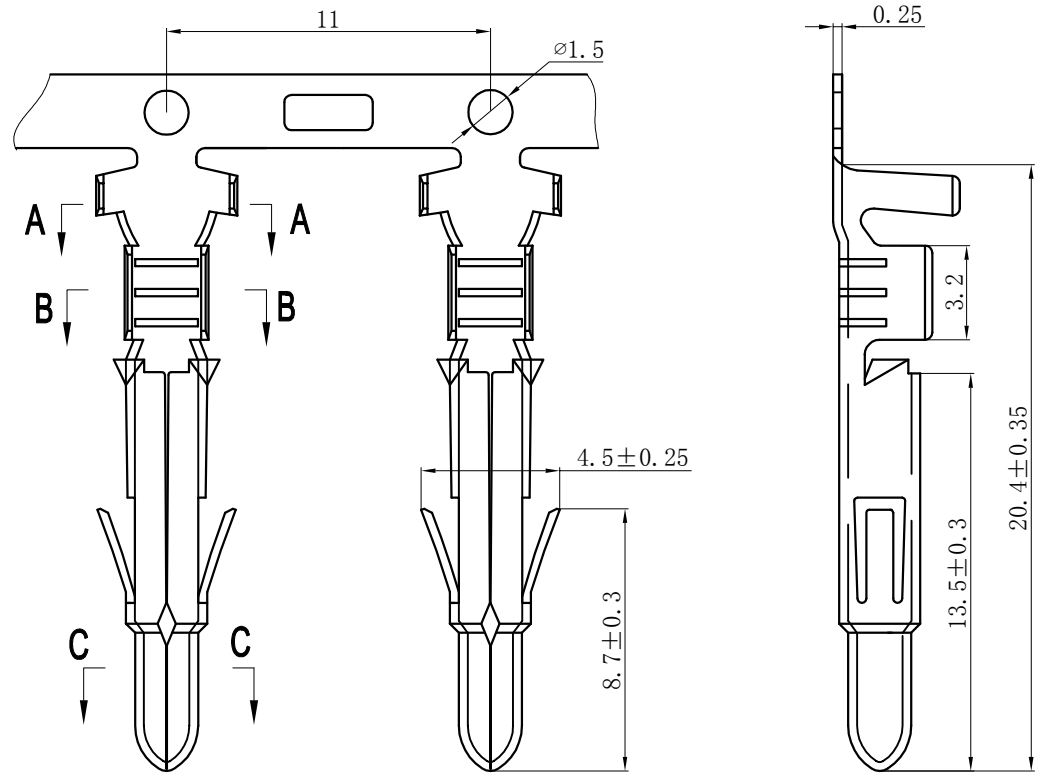
A-A



B-B

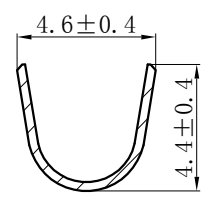
GENERAL TOLERANCES (UNLESS SPECIFIED)		ZHE JIANG DELI CONNECTORS CO., LTD	
.X: ± 0.25	X°: ± 3.0°	PRODUCT NAME:	TITLE: 6.30 mm Pitch Crimp Terminal
.XX: ± 0.15	.X°: ± 2.0°	DL63001 (42024)-T-D	
.XXX: ± 0.01	.XX°: ± 1.0°	DR: Ni Sheng Le	DATE: 21/05/20
FINISH:		CHKD: Wu Hui	DATE: 21/05/20
DRAWING NO:		APPD: Ren An De	DATE: 21/05/20
		SCALE: N/A	PAGE: 1/1
		UNITS: mm	REV.: A

REV.	REVISION DESCRIPTION	DATE	APPD

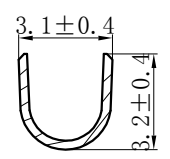


NOTES

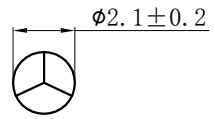
Used in DL63001-R Series Housing.
 Accepts AWG #20~16 Wire Range.
 Material : Phosphor Bronze .
 Finish: Tin plated.
 Thickness: 0.25 mm.



SECTION A-A



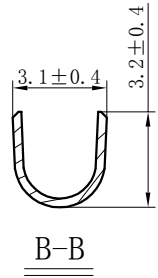
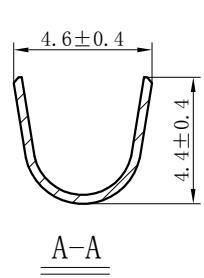
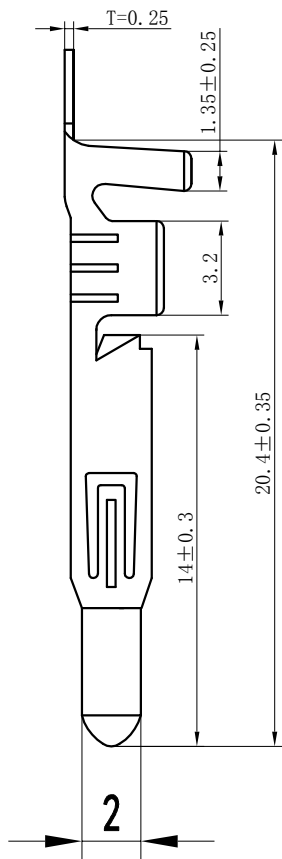
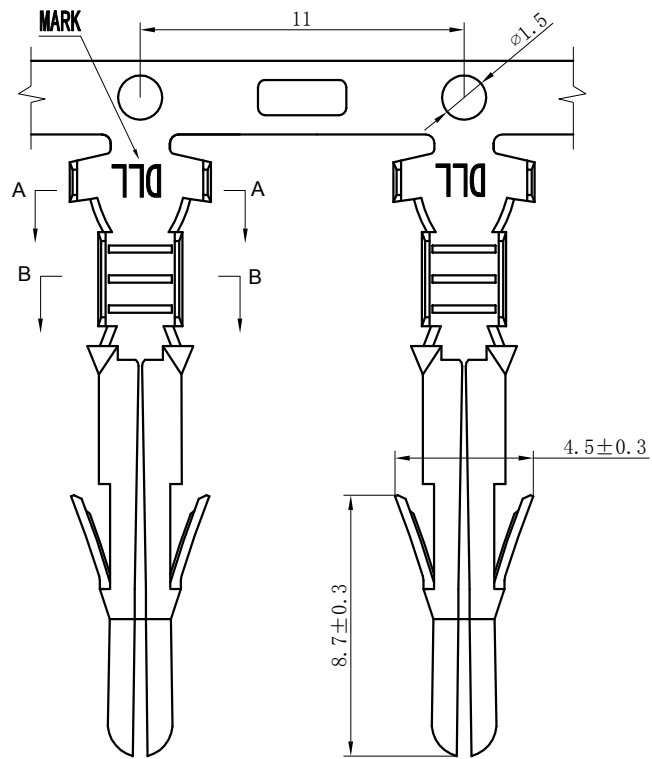
SECTION B-B



SECTION C-C

GENERAL TOLERANCES (UNLESS SPECIFIED)		ZHE JIANG DELI CONNECTORS CO., LTD	
.X: ± 0.25	X°: $\pm 3.0^\circ$	PRODUCT NAME: DL63001 (42023)-RT	TITLE: 6.3mm Pitch Wire To Wire Crimp Terminal
.XX: ± 0.15	.X°: $\pm 2.0^\circ$	DR: Yuan Jun Rong	DATE: 2021.5.20
.XXX: ± 0.01	.XX°: $\pm 1.0^\circ$	CHKD: Wu Hui	DATE: 2021.5.20
DRAWING NO:		APPD: Ren An De	DATE: 2021.5.20
		SCALE: N/A	PAGE: 1/1
		UNITS: mm	REV.: A

REV.	REVISION DESCRIPTION	DATE	APPD

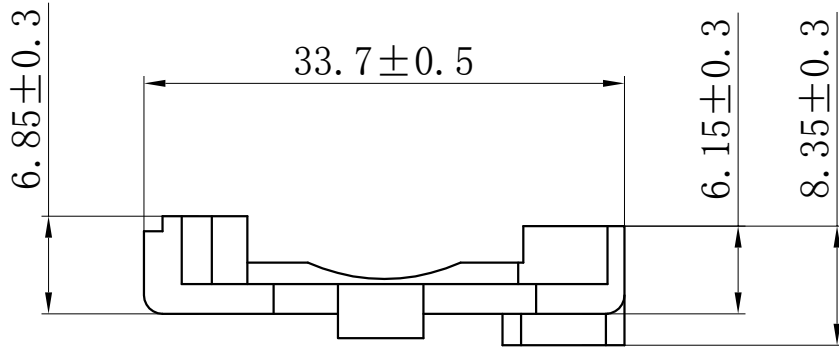


NOTES

Used in DL63001-R Series Housing.
 Accepts AWG #20~16 Wire Range.
 Material : Phosphor Bronze .
 Finish: Tin plated.
 Thickness: 0.25 mm.

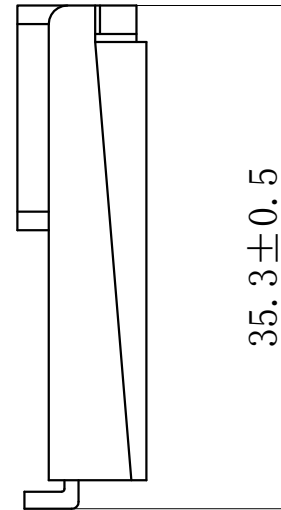
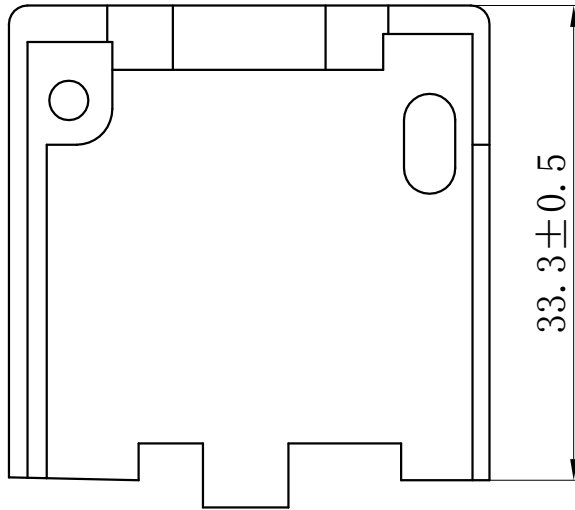
GENERAL TOLERANCES (UNLESS SPECIFIED)		ZHE JIANG DELI CONNECTORS CO., LTD	
.X: ± 0.25	X° : $\pm 3.0^\circ$	PRODUCT NAME: DL63001 (42023)-RTS	TITLE: 6.3mm Pitch Wire To Wire Crimp Terminal
.XX: ± 0.15	.X° : $\pm 2.0^\circ$	DR: Yuan Jun Rong	DATE:2023.5.20
.XXX: ± 0.01	.XX° : $\pm 1.0^\circ$	CHKD: Wu Hui	DATE:2023.5.20
DRAWING NO:		APPD:Ren An De	DATE:2023.5.20
		SCALE: N/A	PAGE: 1/1
		UNITS: mm	REV.: A

REV.	REVISION DESCRIPTION	DATE	APPD



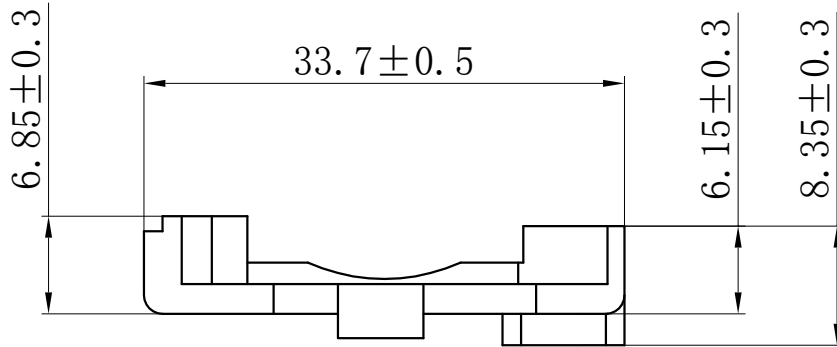
NOTES:

- 1、 Available in 04 Circuits.
- 2、 Mates with DL63001-R Series Housing.
- 3、 Materials:Nylon UL94V-0(2)
- 4、 Green Material Rohs Compliant



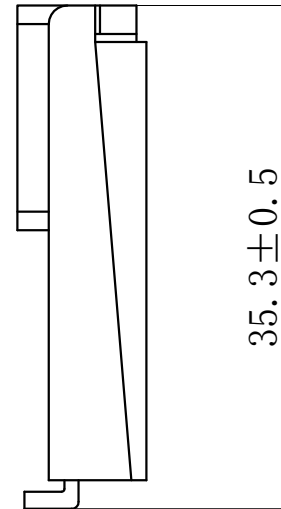
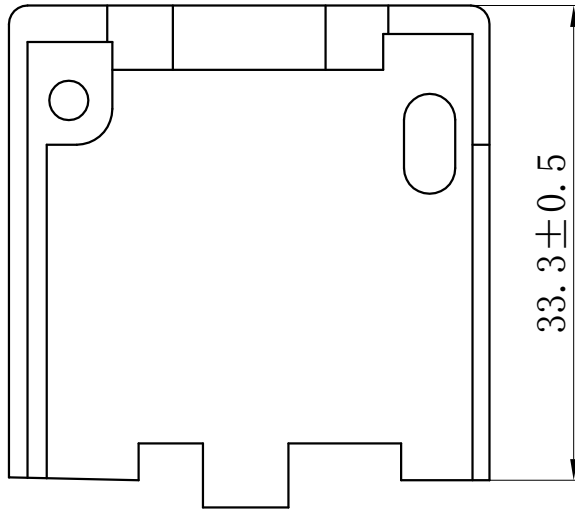
GENERAL TOLERANCES (UNLESS SPECIFIED)		ZHE JIANG DELI CONNECTORS CO., LTD	
.X: ± 0.25	X° : ± 3.0°	PRODUCT NAME: 42022-4G	TITLE: 6.3 mm Pitch Wire To Wire Housing
.XX: ± 0.15	.X° : ± 2.0°	DR: Zhang Xiao Feng	DATE:21/05/20
.XXX: ± 0.01	.XX° : ± 1.0°	DATE:21/05/20	PART NO:
FINISH: —		CHKD: Liu bing	DATE:21/05/20
DRAWING NO:		APPD: Ren An De	DATE:21/05/20
		SCALE: N/A	PAGE: 1/1
		UNITS: mm	REV.: A

REV.	REVISION DESCRIPTION	DATE	APPD



NOTES:

- 1、 Available in 04 Circuits.
- 2、 Mates with DL63001-R Series Housing.
- 3、 Materials:Nylon UL94V-0
- 4、 Green Material Rohs Compliant

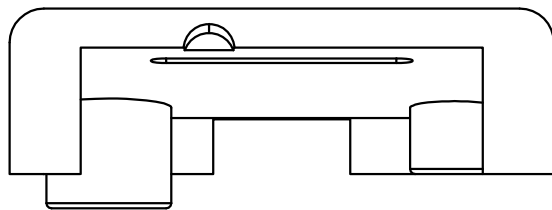
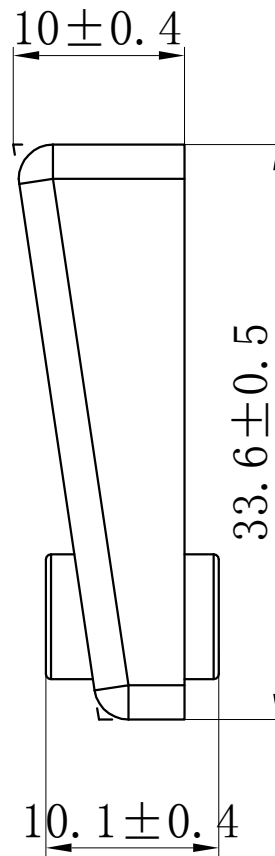
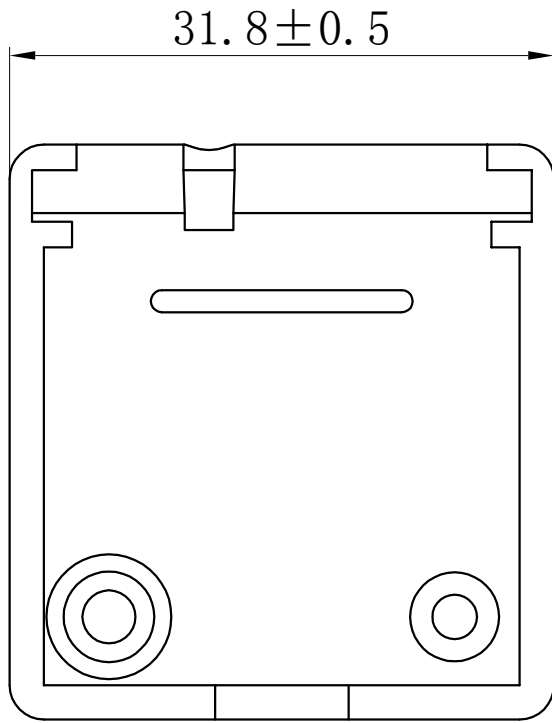


GENERAL TOLERANCES (UNLESS SPECIFIED)		ZHE JIANG DELI CONNECTORS CO., LTD	
. X: ± 0.25	X° : $\pm 3.0^\circ$	PRODUCT NAME: 42022-4G-V0	TITLE: 6.3 mm Pitch Wire To Wire Housing
. XX: ± 0.15	. X° : $\pm 2.0^\circ$	DR: Zhang Xiao Feng	DATE:21/05/20
. XXX: ± 0.01	. XX° : $\pm 1.0^\circ$	CHKD: Liu bing	DATE:21/05/20
FINISH:		APPD: Ren An De	DATE:21/05/20
DRAWING NO:		SCALE: N/A	PAGE: 1/1
		UNITS: mm	REV. : A

REV.	REVISION DESCRIPTION	DATE	APPD

NOTES:

- 1、 Available in 06 Circuits.
- 2、 Mates with DL63001-R Series Housing.
- 3、 Materials: Nylon UL94V-0(2)
- 4、 Green Material Rohs Compliant



GENERAL TOLERANCES (UNLESS SPECIFIED)		ZHE JIANG DELI CONNECTORS CO., LTD	
.X: ± 0.25	X° : ± 3.0°	PRODUCT NAME: 42022-6G	TITLE: 6.3 mm Pitch Wire To Wire Housing
.XX: ± 0.15	.X° : ± 2.0°	DR: Zhang Xiao Feng	DATE: 21/05/20
.XXX: ± 0.01	.XX° : ± 1.0°	DATE: 21/05/20	PART NO:
FINISH: _____		CHKD: Liu bing	DATE: 21/05/20
DRAWING NO:		APPD: Ren An De	DATE: 21/05/20
		SCALE: N/A	PAGE: 1/1
		UNITS: mm	REV.: A

1 2 3 4 5 6 7 8

REV.	REVISION DESCRIPTION	DATE	APPD

A

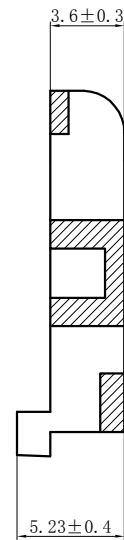
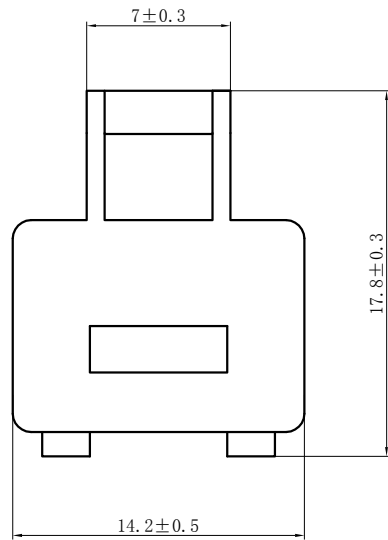
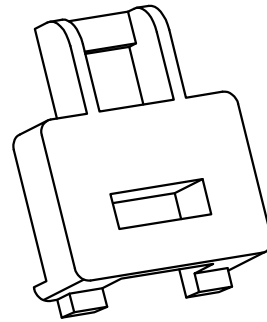
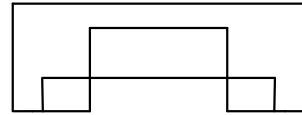
B

C

D

E

F



NOTES:

- 1、 Available in 04 Circuits.
- 2、 Mates with DL63001-R Series Housing.
- 3、 Materials:Nylon UL94V-0(2)
- 4、 Green Material Rohs Compliant

A

B

C

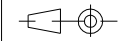
D

E

F

1 2 3 4 5 6 7 8

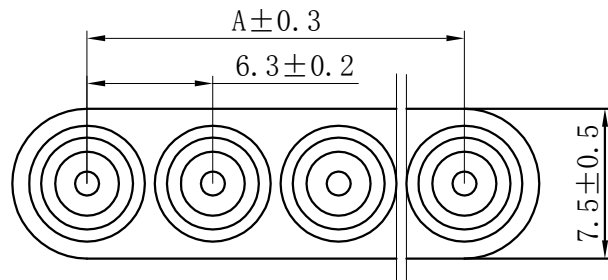
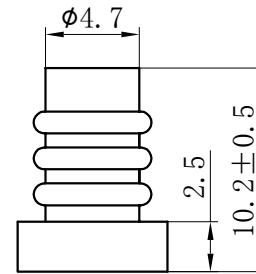
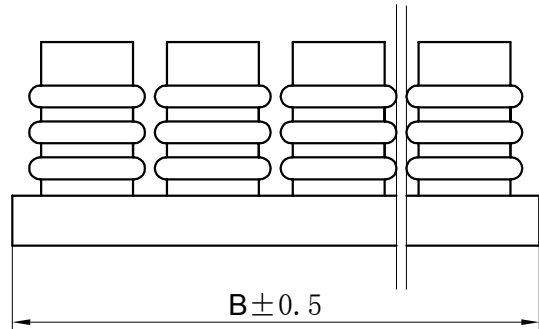
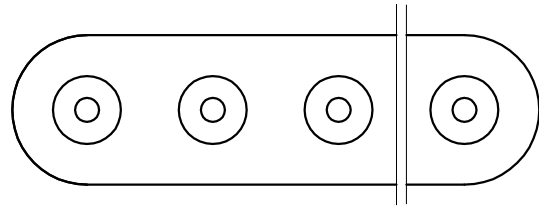
GENERAL TOLERANCES (UNLESS SPECIFIED)		ZHE JIANG DELI CONNECTORS CO .,LTD			
. X: ± 0.25	X° : ± 3.0°	PRODUCT NAME: 42022-4GS		TITLE: 6.3 mm Pitch Wire To Wire Housing	
. XX: ± 0.15	. X° : ± 2.0°	DR: Zhang Xiao Feng	DATE:21/05/20	PART NO:	
. XXX: ± 0.01	. XX° : ± 1.0°	CHKD: Liu bing	DATE:21/05/20	SCALE: N/A	PAGE: 1/1
DRAWING NO:		APPD: Ren An De	DATE:21/05/20	UNITS: mm	REV. : A



REV.	REVISION DESCRIPTION	DATE	APPD

NOTES

Mates with 42022 Series Housing.
 Material : Silicon Rubber
 Green Material Rohs Compliant
 Colour: Blue



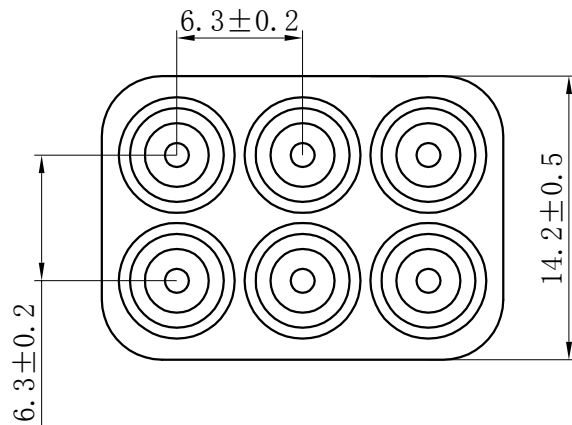
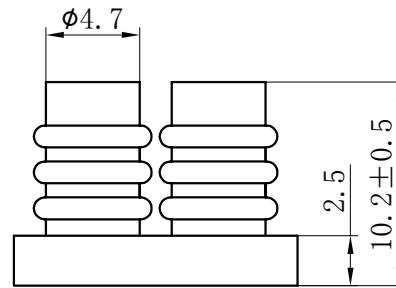
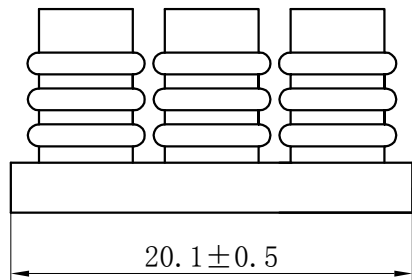
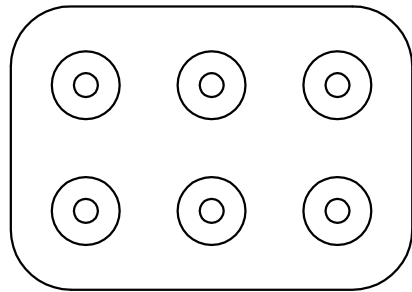
Circuits	Type	Dimensions (mm)	
		A	B
1X2	42022-2GF	6.3	13.8
1X3	42022-3GF	12.6	20.1
1X4	42022-4GF	18.9	26.4

GENERAL TOLERANCES (UNLESS SPECIFIED)		ZHE JIANG DELI CONNECTORS CO., LTD	
.X: ± 0.35	X° : ± 3.0°	PRODUCT NAME:	TITLE:
.XX: ± 0.25	.X° : ± 2.0°	42022-GF	6.3 mm Pitch Wire To Wire Housing
.XXX: ± 0.01	.XX° : ± 1.0°	DR: Zhang Xiao Feng	DATE:14/05/20
FINISH:		CHKD: Liu bing	DATE:14/05/20
DRAWING NO:		APPD: Ren An De	DATE:14/05/20
		SCALE: N/A	PAGE: 1/1
		UNITS: mm	REV.: A

REV.	REVISION DESCRIPTION	DATE	APPD

NOTES

Mates with 42022 Series Housing.
 Material : Silicon Rubber
 Green Material Rohs Compliant
 Colour: Blue

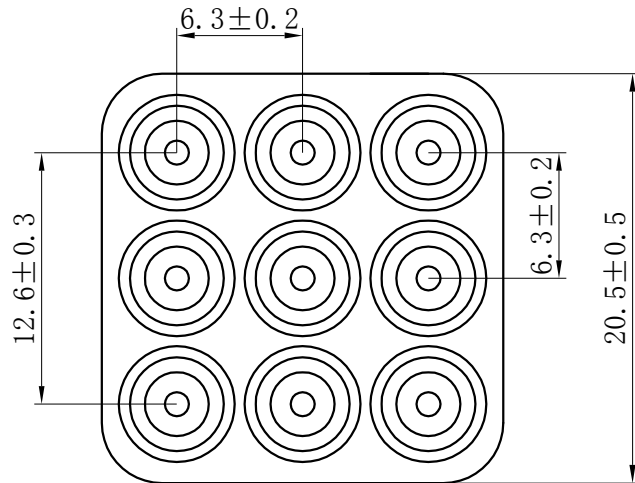
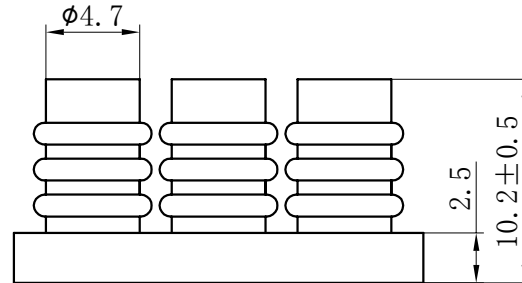
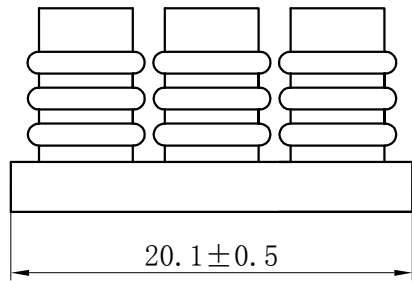
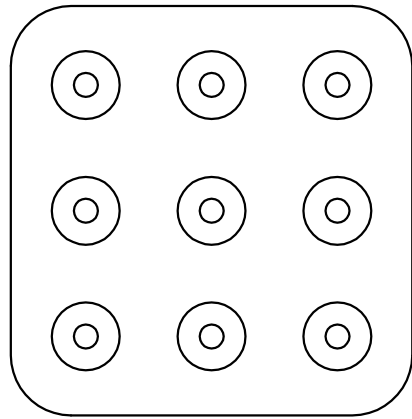


GENERAL TOLERANCES (UNLESS SPECIFIED)		ZHE JIANG DELI CONNECTORS CO ., LTD	
. X: ± 0.35	X° : ± 3.0°	PRODUCT NAME: 42022-6GF	TITLE: 6.3 mm Pitch Wire To Wire Housing
. XX: ± 0.25	. X° : ± 2.0°	DR: Zhang Xiao Feng	DATE:14/05/20
. XXX: ± 0.01	. XX° : ± 1.0°	DATE:14/05/20	PART NO:
FINISH:		CHKD: Liu bing	DATE:14/05/20
DRAWING NO:		APPD: Ren An De	DATE:14/05/20
		SCALE: N/A	PAGE: 1/1
		UNITS: mm	REV. : A

REV.	REVISION DESCRIPTION	DATE	APPD

NOTES

Mates with 42022 Series Housing.
 Material : Silicon Rubber
 Green Material Rohs Compliant
 Colour: Blue

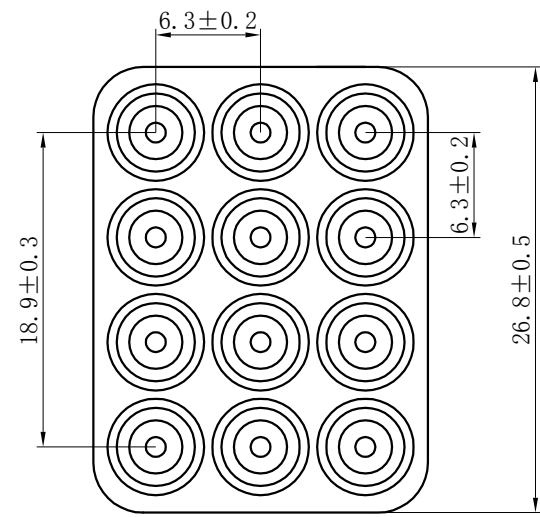
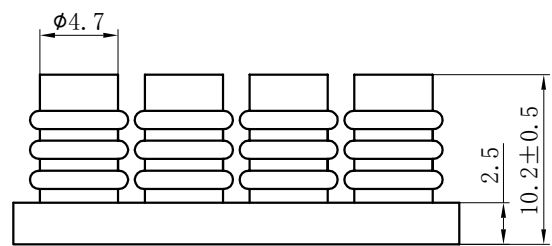
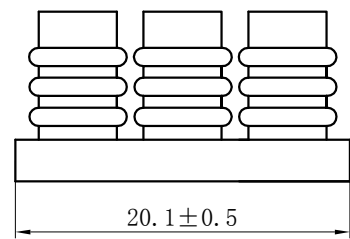
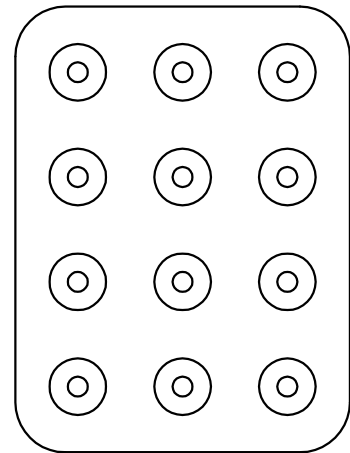


GENERAL TOLERANCES (UNLESS SPECIFIED)		ZHE JIANG DELI CONNECTORS CO., LTD	
. X: ± 0.35	X° : ± 3.0°	PRODUCT NAME: 42022-9GF	TITLE: 6.3 mm Pitch Wire To Wire Housing
. XX: ± 0.25	. X° : ± 2.0°	DR: Zhang Xiao Feng	DATE: 14/05/20
. XXX: ± 0.01	. XX° : ± 1.0°	DATE: 14/05/20	PART NO:
FINISH:		CHKD: Liu bing	DATE: 14/05/20
DRAWING NO:		APPD: Ren An De	DATE: 14/05/20
		SCALE: N/A	PAGE: 1/1
		UNITS: mm	REV.: A

REV.	REVISION DESCRIPTION	DATE	APPD

NOTES

Mates with 42022 Series Housing.
 Material : Silicon Rubber
 Green Material Rohs Compliant
 Colour: Blue

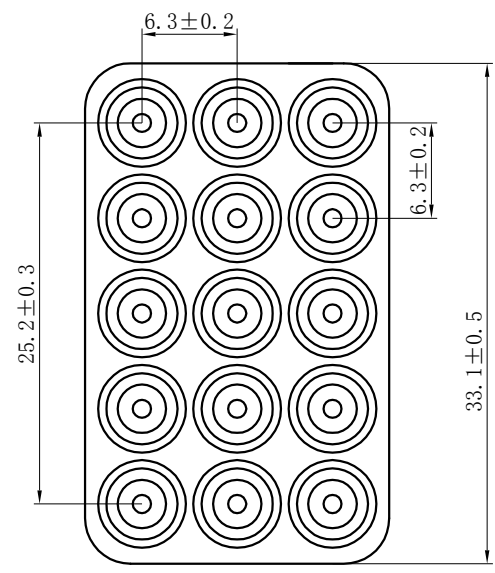
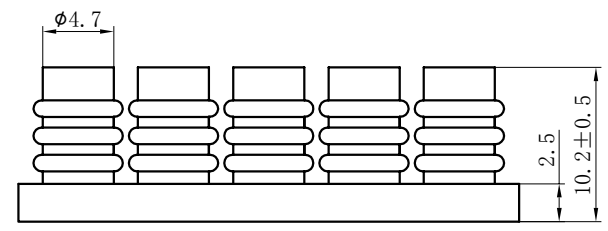
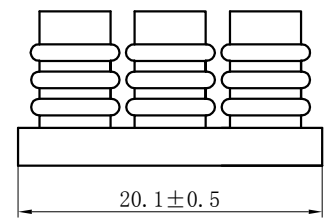
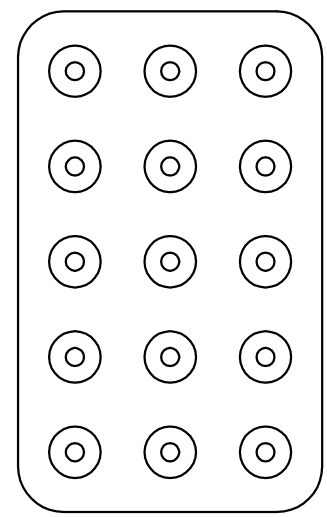


GENERAL TOLERANCES (UNLESS SPECIFIED)		ZHE JIANG DELI CONNECTORS CO., LTD	
. X: ± 0.35	X° : ± 3.0°	PRODUCT NAME: 42022-12GF	TITLE: 6.3 mm Pitch Wire To Wire Housing
. XX: ± 0.25	. X° : ± 2.0°	DR: Zhang Xiao Feng	DATE:14/05/20
. XXX: ± 0.01	. XX° : ± 1.0°	DATE:14/05/20	PART NO:
FINISH:		CHKD: Liu bing	DATE:14/05/20
DRAWING NO:		APPD: Ren An De	DATE:14/05/20
		SCALE: N/A	PAGE: 1/1
		UNITS: mm	REV.: A

REV.	REVISION DESCRIPTION	DATE	APPD

NOTES

Mates with 42022 Series Housing.
 Material : Silicon Rubber
 Green Material Rohs Compliant
 Colour: Blue

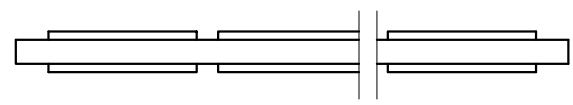
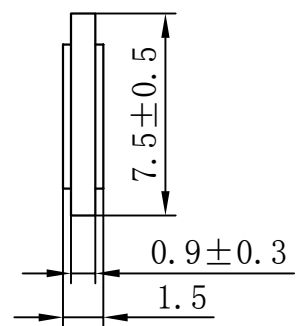
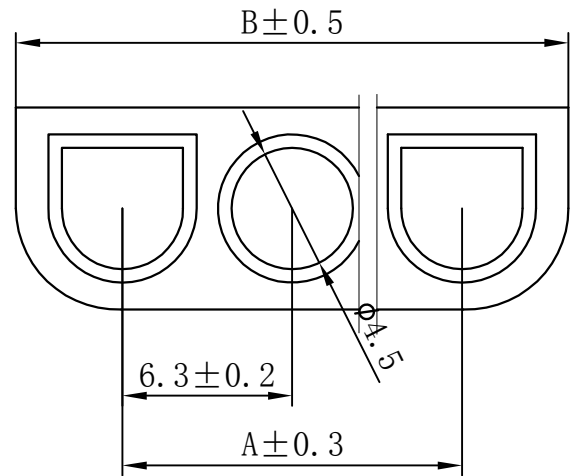


GENERAL TOLERANCES (UNLESS SPECIFIED)		ZHE JIANG DELI CONNECTORS CO., LTD	
. X: ± 0.35	X° : ± 3.0°	PRODUCT NAME: 42022-15GF	TITLE: 6.3 mm Pitch Wire To Wire Housing
. XX: ± 0.25	. X° : ± 2.0°	DR: Zhang Xiao Feng	DATE:14/05/20
. XXX: ± 0.01	. XX° : ± 1.0°	DATE:14/05/20	PART NO:
FINISH:		CHKD: Liu bing	DATE:14/05/20
DRAWING NO:		APPD: Ren An De	DATE:14/05/20
		SCALE: N/A	PAGE: 1/1
		UNITS: mm	REV. : A

REV.	REVISION DESCRIPTION	DATE	APPD

NOTES

Mates with 42022-Y Series Housing.
 Material : Silicon Rubber
 Green Material Rohs Compliant
 Colour: Blue



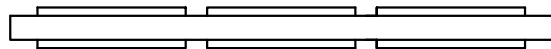
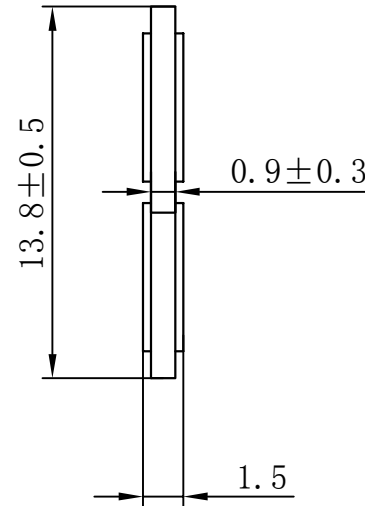
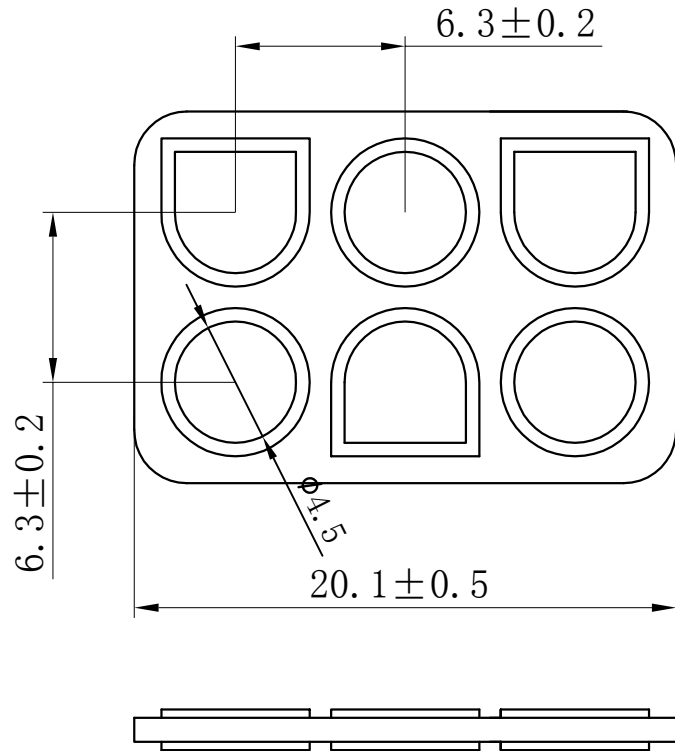
Circuits	Type	Dimensions (mm)	
		A	B
1X2	42022-2GM	6.3	13.8
1X3	42022-3GM	12.6	20.1
1X4	42022-4GM	18.9	26.4

GENERAL TOLERANCES (UNLESS SPECIFIED)		ZHE JIANG DELI CONNECTORS CO., LTD	
.X: ± 0.35	X° : ± 3.0°	PRODUCT NAME: 42022-GM	TITLE: 6.3 mm Pitch Wire To Wire Housing
.XX: ± 0.25	.X° : ± 2.0°	DR: Zhang Xiao Feng	DATE:14/05/20
.XXX: ± 0.01	.XX° : ± 1.0°	CHKD: Liu bing	DATE:14/05/20
FINISH:		APPD: Ren An De	DATE:14/05/20
DRAWING NO:		UNITS: mm	PAGE: 1/1
			REV. : A

REV.	REVISION DESCRIPTION	DATE	APPD

NOTES

Mates with 42022-Y Series Housing.
 Material : Silicon Rubber
 Green Material Rohs Compliant
 Colour: Blue

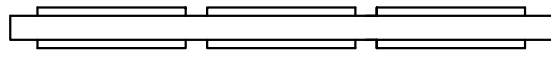
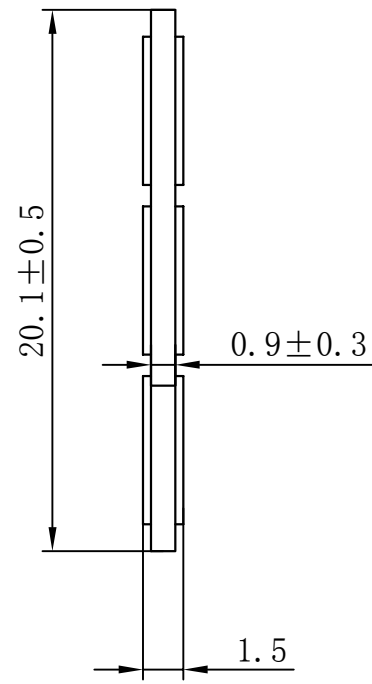
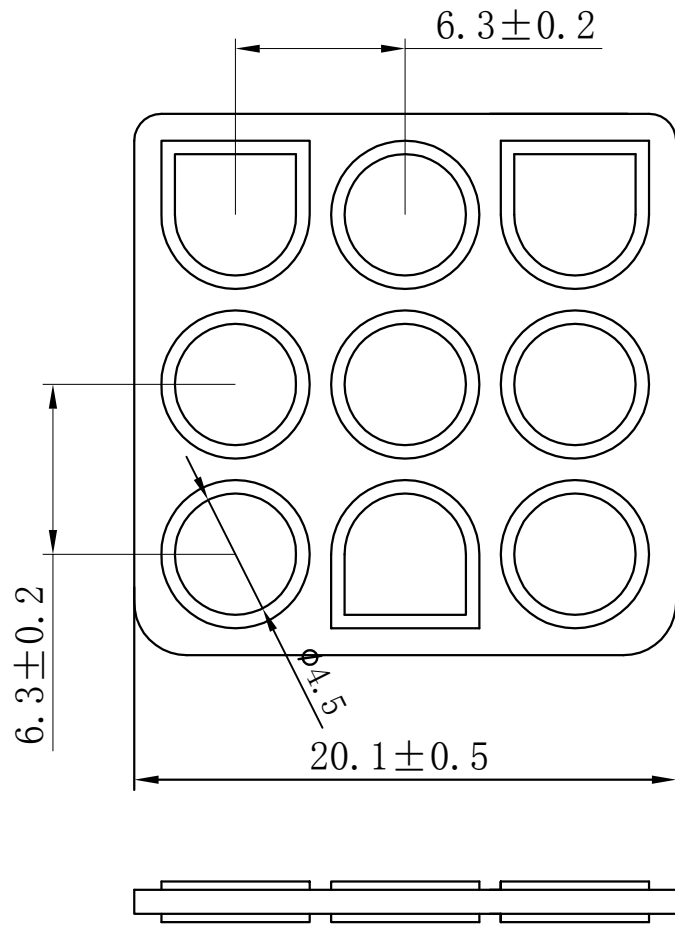


GENERAL TOLERANCES (UNLESS SPECIFIED)		ZHE JIANG DELI CONNECTORS CO., LTD	
. X: ± 0.35	X° : ± 3.0°	PRODUCT NAME: 42022-6GM	TITLE: 6.3 mm Pitch Wire To Wire Housing
. XX: ± 0.25	. X° : ± 2.0°	DR: Zhang Xiao Feng	DATE:14/05/20
. XXX: ± 0.01	. XX° : ± 1.0°	DATE:14/05/20	PART NO:
FINISH:		CHKD: Liu bing	DATE:14/05/20
DRAWING NO:		APPD: Ren An De	DATE:14/05/20
		SCALE: N/A	PAGE: 1/1
		UNITS: mm	REV. : A

REV.	REVISION DESCRIPTION	DATE	APPD

NOTES

Mates with 42022-Y Series Housing.
 Material : Silicon Rubber
 Green Material Rohs Compliant
 Colour: Blue

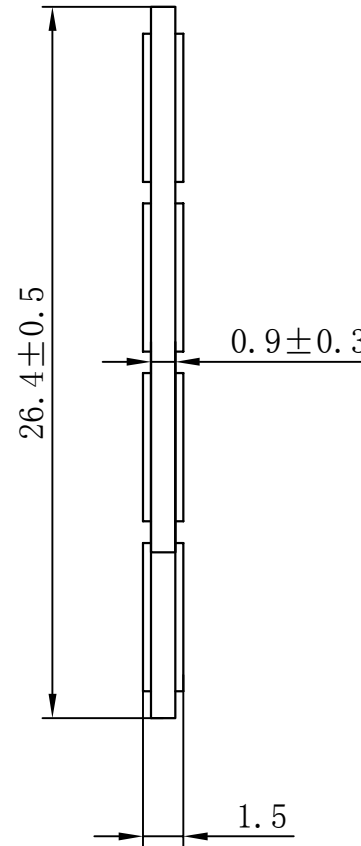
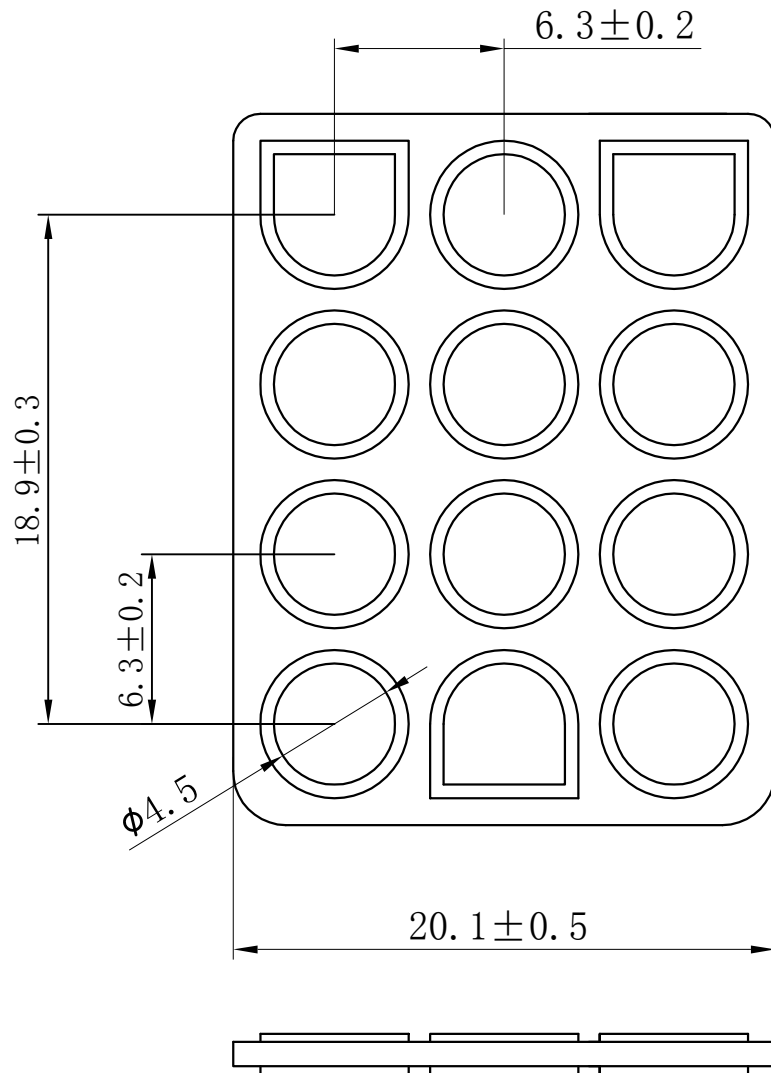


GENERAL TOLERANCES (UNLESS SPECIFIED)		ZHE JIANG DELI CONNECTORS CO., LTD	
. X: ± 0.35	X° : ± 3.0°	PRODUCT NAME: 42022-9GM	TITLE: 6.3 mm Pitch Wire To Wire Housing
. XX: ± 0.25	. X° : ± 2.0°	DR: Zhang Xiao Feng	DATE:14/05/20
. XXX: ± 0.01	. XX° : ± 1.0°	DATE:14/05/20	PART NO:
FINISH:		CHKD: Liu bing	DATE:14/05/20
DRAWING NO:		APPD: Ren An De	DATE:14/05/20
		SCALE: N/A	PAGE: 1/1
		UNITS: mm	REV. : A

REV.	REVISION DESCRIPTION	DATE	APPD

NOTES

Mates with 42022-Y Series Housing.
 Material : Silicon Rubber
 Green Material Rohs Compliant
 Colour: Blue

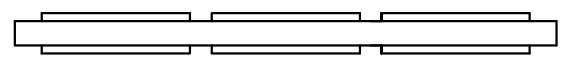
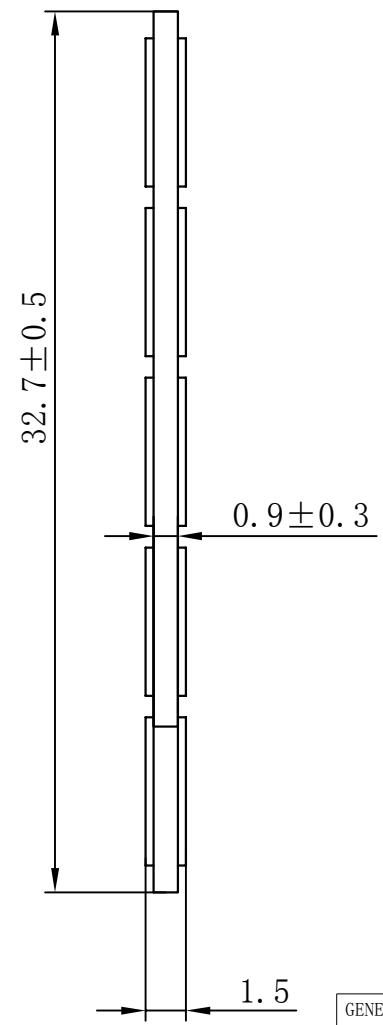
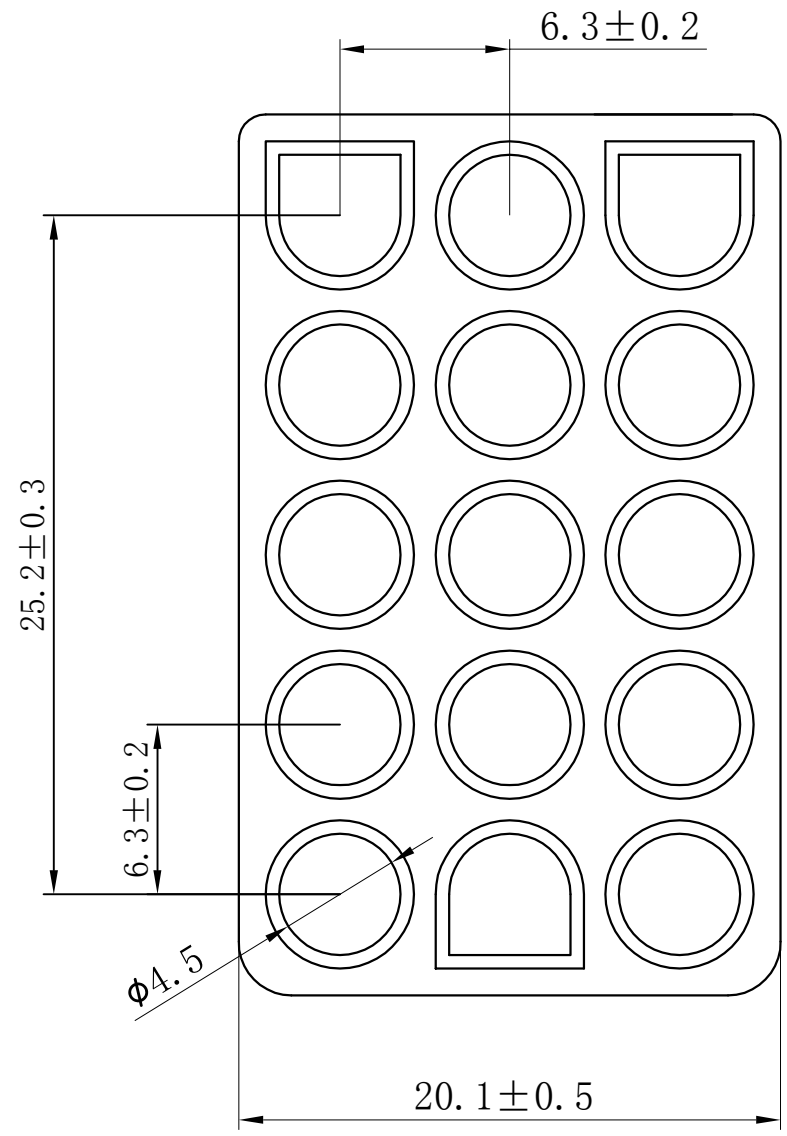


GENERAL TOLERANCES (UNLESS SPECIFIED)		ZHE JIANG DELI CONNECTORS CO., LTD	
.X: ± 0.35	X° : ± 3.0°	PRODUCT NAME: 42022-12GM	TITLE: 6.3 mm Pitch Wire To Wire Housing
.XX: ± 0.25	.X° : ± 2.0°	DR: Zhang Xiao Feng	DATE:14/05/20
.XXX: ± 0.01	.XX° : ± 1.0°	DATE:14/05/20	PART NO:
FINISH:		CHKD: Liu bing	DATE:14/05/20
DRAWING NO:		APPD: Ren An De	DATE:14/05/20
		SCALE: N/A	PAGE: 1/1
		UNITS: mm	REV.: A

REV.	REVISION DESCRIPTION	DATE	APPD

NOTES

Mates with 42022-Y Series Housing.
 Material : Silicon Rubber
 Green Material Rohs Compliant
 Colour: Blue



GENERAL TOLERANCES (UNLESS SPECIFIED)		ZHE JIANG DELI CONNECTORS CO., LTD	
.X: ± 0.35	X° : $\pm 3.0^\circ$	PRODUCT NAME: 42022-15GM	TITLE: 6.3 mm Pitch Wire To Wire Housing
.XX: ± 0.25	.X° : $\pm 2.0^\circ$	DR: Zhang Xiao Feng	DATE:14/05/20
.XXX: ± 0.01	.XX° : $\pm 1.0^\circ$	CHKD: Liu bing	DATE:14/05/20
FINISH: _____		APPD: Ren An De	DATE:14/05/20
DRAWING NO:		SCALE: N/A	PAGE: 1/1
		UNITS: mm	REV.: A

X-ON Electronics

Largest Supplier of Electrical and Electronic Components

Click to view similar products for [RF Connector Accessories](#) category:

Click to view products by [DLL](#) manufacturer:

Other Similar products are found below :

[89674-0712](#) [FERRULE-174](#) [R141802000](#) [R141842000](#) [R141862000W](#) [R280907000](#) [AX102907](#) [HP-500](#) [2098-3251-94](#) [KA-81-02](#) [KA-81-05](#) [KN-89-12](#) [89674-0805](#) [FERRULE-223](#) [202102-11](#) [R280468000](#) [R280510000](#) [RFI155-1](#) [RFI25-12-D3](#) [RFI25-4-D2](#) [RFI75-12-D2](#) [RFI97-14](#) [360HS001M2508M6](#) [4-1532137-4](#) [HRM-514S\(40\)](#) [5-21085-0](#) [111062-0490](#) [112122-SOD-LUG](#) [IPP-2014](#) [RFI95-14-D2](#) [MX-913/U\(45\)](#) [1736-1511-075](#) [RFI75-2-D3](#) [RFI25-3-D3](#) [R280469010](#) [RFI85-4](#) [896110450](#) [660-024M09S5-01](#) [1403137-1](#) [360HB001M2512H](#) [360HS001M1716M3](#) [380HS115M2508H3](#) [380HS001M1716M4](#) [FERRULE-316DB](#) [105274-2000](#) [73415-1970](#) [R280755050W](#) [52014041A](#) [R447120000](#) [BNC-JCAP\(01\)](#)