

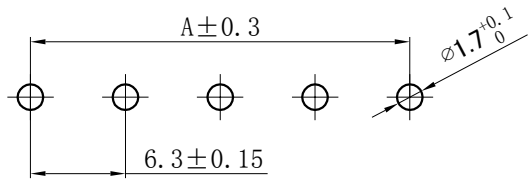
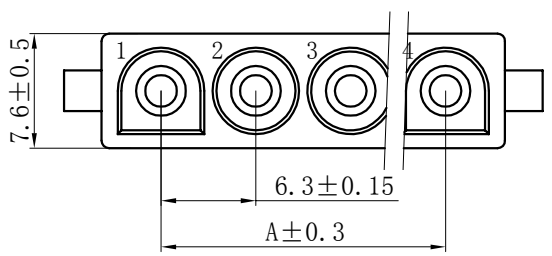
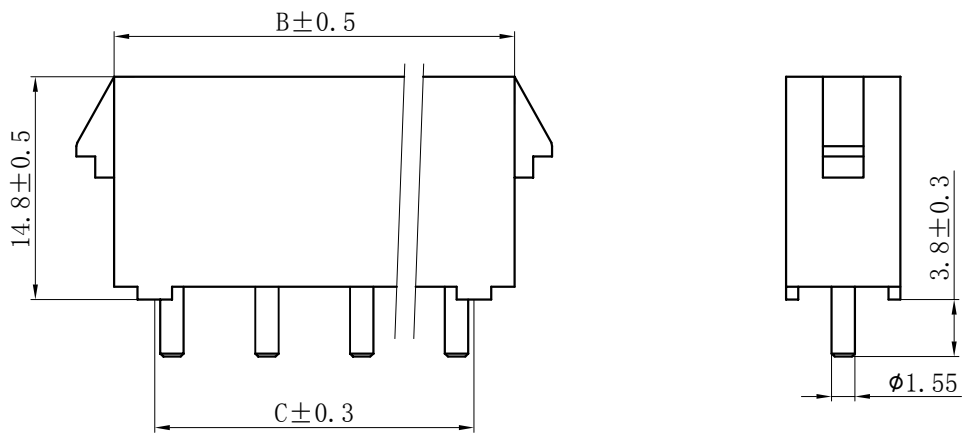
技术特性/Specifications:

额定电压 Rated voltage: 300V AC, DC
额定电流 Rated current: 13A AC, DC
接触电阻 Contact resistance: 20m Ω max
绝缘电阻 Insulation resistance: 1000M Ω min
耐压 Withstand voltage: 1500V AC/minute
环境温度 Ambient temperature: -40 $^{\circ}$ C~+105 $^{\circ}$ C
适用线规 Wire range: AWG#20~#16

| REV. | REVISION DESCRIPTION | DATE | APPD |
|------|----------------------|------|------|
| | | | |

Notes :

1. Rated voltage: 300V AC.DC
2. Rated current: 13A AC.DC MAX
3. Contact resistance: $\leq 20m\Omega$
4. Insulation resistance: $\geq 1000M\Omega$
5. Withstand voltage: 1500V AC/minute
6. Ambient temperature: $-40\sim 105^{\circ}C$
7. Materials: Nylon UL94V-0 (2)
8. Green Material ROHS Compliant



PCB LAYOUT

| Circuits | Product name | Dimension mm | | |
|----------|--------------|--------------|-------|-------|
| | | A | B | C |
| 1X2 | 42002-2A | 6.30 | 14.00 | 8.60 |
| 1X3 | 42002-3A | 12.60 | 20.30 | 14.90 |
| 1X4 | 42002-4A | 18.90 | 26.60 | 21.20 |
| 1X5 | 42002-5A | 25.20 | 32.90 | 27.50 |
| 1X6 | 42002-6AM | 31.50 | 39.40 | 33.80 |

| | | | |
|--|---------------|---|---|
| GENERAL TOLERANCES (UNLESS SPECIFIED) | | ZHE JIANG DELI CONNECTORS CO., LTD | |
| .X: ± 0.25 | X° : ± 3.0° | PRODUCT NAME: DL63001 (42002)-A | TITLE: 6.3 mm Pitch Wire To Board Wafer |
| .XX: ± 0.15 | .X° : ± 2.0° | DR: Yuan Jun Rong | DATE: 21/05/20 |
| .XXX: ± 0.01 | .XX° : ± 1.0° | CHKD: Wu Hui | DATE: 21/05/20 |
| FINISH: | | APPD: Ren An De | DATE: 21/05/20 |
| DRAWING NO: | | SCALE: N/A | PAGE: 1/1 |
| | | UNITS: mm | REV.: A |

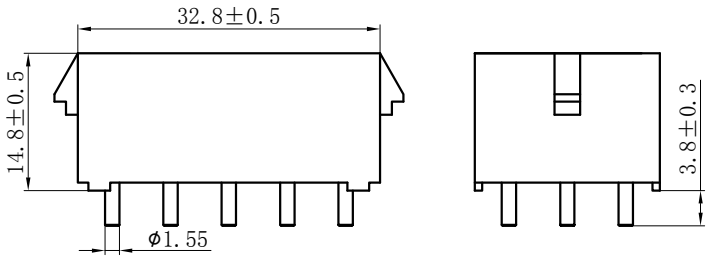
| REV. | REVISION DESCRIPTION | DATE | APPD |
|------|----------------------|------|------|
| | | | |

NOTES:

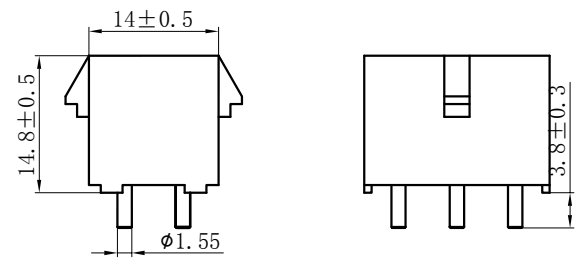
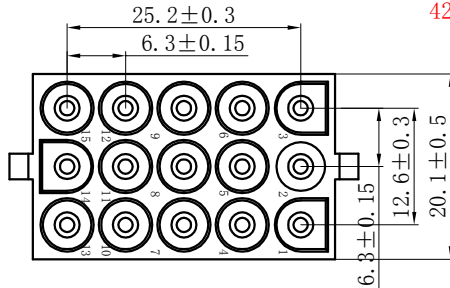
- 1、Current rating: 13A AC\DC
- 2、Voltage rating: 300V AC\DC
- 3、Temperature range: -40°C to 105°C
- 4、Contact resistance: 20mΩ max
- 5、Insulation resistance: 1000MΩ min
- 6、Withstanding voltage: 1500V AC/ minute
- 7、Materials: Nylon UL94V-0(2)
- 8、Green Material Rohs Compliant



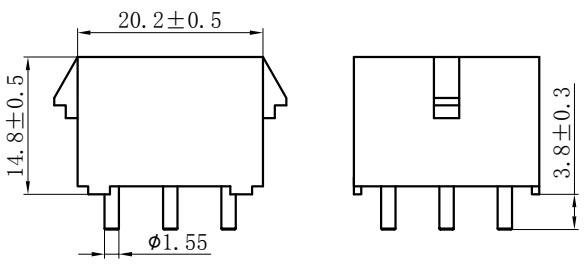
42002-12A



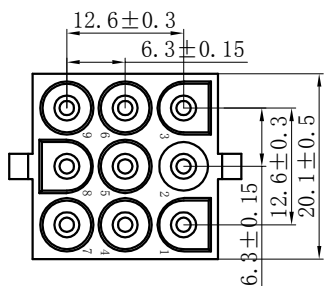
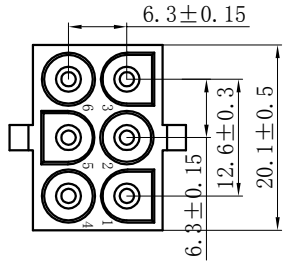
42002-15A



42002-6A



42002-9A



| Circuits | Product name | Dimension mm | |
|----------|--------------|--------------|-------|
| | | A | B |
| 2X3 | 42002-6A | 6.30 | 18.90 |
| 3X3 | 42002-9A | 18.90 | 18.90 |
| 3X4 | 42002-12A | 18.90 | 25.20 |
| 3X5 | 42002-15A | 18.90 | 31.50 |

| GENERAL TOLERANCES (UNLESS SPECIFIED) | | ZHE JIANG DELI CONNECTORS CO., LTD | |
|---------------------------------------|-----------------------|------------------------------------|---|
| .X: ± 0.25 | X°: $\pm 3.0^\circ$ | PRODUCT NAME: | TITLE: 6.3 mm Pitch Wire To Board Wafer |
| .XX: ± 0.15 | .X°: $\pm 2.0^\circ$ | DL63001 (42002)-A | |
| .XXX: ± 0.01 | .XX°: $\pm 1.0^\circ$ | DR: Ni Sheng Le | DATE: 21/05/20 |
| FINISH: | | CHKD: Wu Hui | DATE: 21/05/20 |
| DRAWING NO: | | APPD: Ren An De | DATE: 21/05/20 |
| | | SCALE: N/A | PAGE: 1/1 |
| | | UNITS: mm | REV.: A |

| REV. | REVISION DESCRIPTION | DATE | APPD |
|------|----------------------|------|------|
| | | | |

Notes :

- 1 .Rated voltage:300V AC. DC
- 2.Rated current:13A AC. DC MAX
- 3.Contact resistance: $\leq 20m\Omega$
- 4.Insulation resistance: $\geq 1000M\Omega$
- 5.Withstand voltage: 1500V AC/minute
- 6.Ambient temperature:-40~105°C
- 7.Materials: Nylon UL94 V-0(2)
- 8.Green Material ROHS Compliant



| Circuits | Product name | Dimension mm | | |
|----------|--------------|--------------|-------|-------|
| | | A | B | C |
| 2 | 42002-2AW | 6.30 | 14.00 | 19.10 |
| 3 | 42002-3AW | 12.60 | 20.30 | 25.40 |
| 4 | 42002-4AW | 18.90 | 26.60 | 31.70 |
| 5 | 42002-5AW | 25.20 | 32.90 | 38.00 |
| 6 | 42002-6AW | 31.50 | 39.20 | 44.30 |

| | | | | | |
|--|-------------------------|--|---------------|--|-----------|
| GENERAL TOLERANCES (UNLESS SPECIFIED) | | ZHE JIANG DELI CONNECTORS CO.,LTD | | | |
| . X: ± 0.25 | X° : $\pm 3.0^\circ$ | PRODUCT NAME: DL63001 (42002)-AW | | TITLE: 6.3 mm Pitch Wire To Board Wafer | |
| . XX: ± 0.15 | . X° : $\pm 2.0^\circ$ | DR: Ni Sheng Le | DATE:21/05/20 | PART NO: | |
| . XXX: ± 0.01 | . XX° : $\pm 1.0^\circ$ | CHKD: Wu Hui | DATE:21/05/20 | SCALE: N/A | PAGE: 1/1 |
| DRAWING NO: | | APPD: Ren An De | DATE:21/05/20 | UNITS: mm | REV. : A |

| REV. | REVISION DESCRIPTION | DATE | APPD |
|------|----------------------|------|------|
| | | | |

Notes :

- 1 .Rated voltage:300V AC. DC
- 2.Rated current:13A AC. DC MAX
- 3.Contact resistance: $\leq 20m\Omega$
- 4.Insulation resistance: $\geq 1000M\Omega$
- 5.Withstand voltage: 1500V AC/minute
- 6.Ambient temperature:-40~105°C
- 7.Materials: Nylon UL94 V-0(2)
- 8.Green Material ROHS Compliant



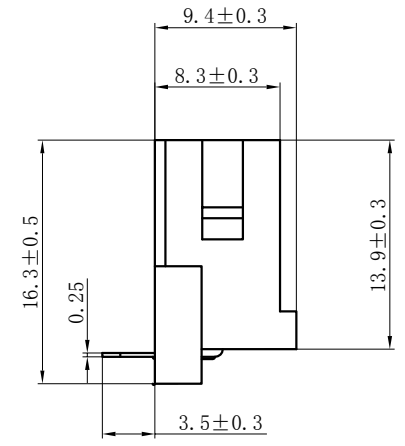
| Circuits | Product name | Dimension mm | | |
|----------|----------------|--------------|-------|-------|
| | | A | B | C |
| 2 | 42002-2AW-GOLD | 6.30 | 14.00 | 19.10 |
| 3 | 42002-3AW-GOLD | 12.60 | 20.30 | 25.40 |
| 4 | 42002-4AW-GOLD | 18.90 | 26.60 | 31.70 |
| 5 | 42002-5AW-GOLD | 25.20 | 32.90 | 38.00 |
| 6 | 42002-6AW-GOLD | 31.50 | 39.20 | 44.30 |

| | | | | | |
|--|-------------------------|---|---------------|--|-----------|
| GENERAL TOLERANCES (UNLESS SPECIFIED) | | ZHE JIANG DELI CONNECTORS CO.,LTD | | | |
| . X: ± 0.25 | X° : $\pm 3.0^\circ$ | PRODUCT NAME: DL63001 (42002)-AW-GOLD | | TITLE: 6.3 mm Pitch Wire To Board Wafer | |
| . XX: ± 0.15 | . X° : $\pm 2.0^\circ$ | DR: Ni Sheng Le | DATE:21/05/20 | PART NO: | |
| . XXX: ± 0.01 | . XX° : $\pm 1.0^\circ$ | CHKD: Wu Hui | DATE:21/05/20 | SCALE: N/A | PAGE: 1/1 |
| DRAWING NO: | | APPD: Ren An De | DATE:21/05/20 | UNITS: mm | REV. : A |

| REV. | REVISION DESCRIPTION | DATE | APPD |
|------|----------------------|------|------|
| | | | |

Notes :

1. Rated voltage: 300V AC/DC
2. Rated current: 13A AC/DC MAX
3. Contact resistance: $\leq 20m\Omega$
4. Insulation resistance: $\geq 1000M\Omega$
5. Withstand voltage: 1500V AC/minute
6. Ambient temperature: $-40\sim 105^{\circ}C$
7. Materials: Nylon UL94V-0 (2)
8. Green Material ROHS Compliant



PCB LAYOUT



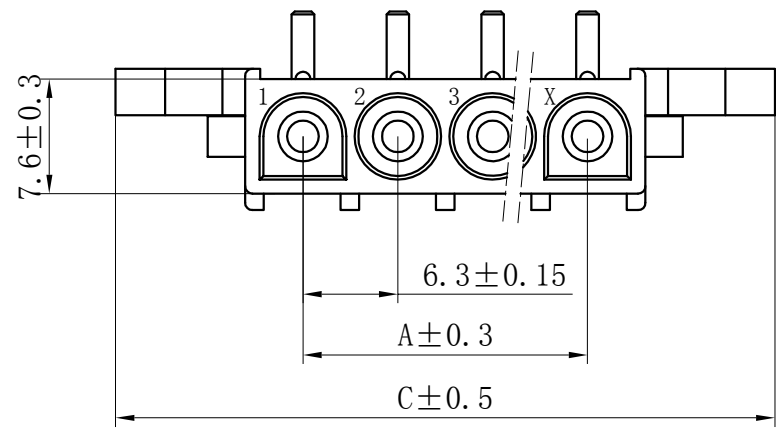
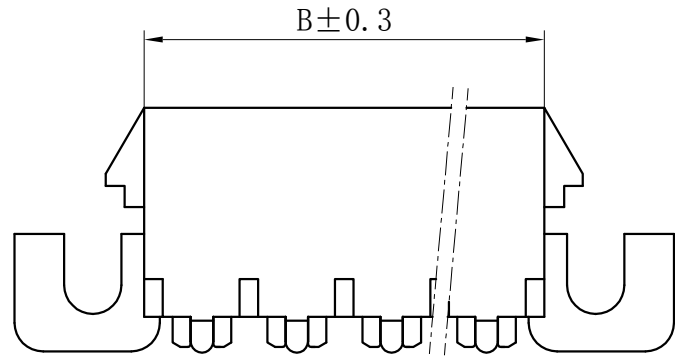
| Circuits | Product name | Dimension mm | | |
|----------|--------------|--------------|-------|-------|
| | | A | B | C |
| 2 | 42002-2AF | 6.30 | 14.00 | 30.90 |
| 3 | 42002-3AF | 12.60 | 20.30 | 37.20 |
| 4 | 42002-4AF | 18.90 | 26.60 | 43.50 |
| 5 | 42002-5AF | 25.20 | 32.90 | 49.80 |
| 6 | 42002-6AF | 31.50 | 39.20 | 56.10 |

| | | | |
|--|--------------|--|---|
| GENERAL TOLERANCES (UNLESS SPECIFIED) | | ZHE JIANG DELI CONNECTORS CO., LTD | |
| .X: ± 0.25 | X°: ± 3.0° | PRODUCT NAME: DL63001 (42002)-AF | TITLE: 6.3 mm Pitch Wire To Board Wafer |
| .XX: ± 0.15 | .X°: ± 2.0° | DR: Yuan Jun Rong | DATE: 21/05/20 |
| .XXX: ± 0.01 | .XX°: ± 1.0° | DATE: 21/05/20 | PART NO: |
| FINISH: | | CHKD: Wu Hui | DATE: 21/05/20 |
| DRAWING NO: | | APPD: Ren An De | DATE: 21/05/20 |
| | | SCALE: N/A | PAGE: 1/1 |
| | | UNITS: mm | REV.: A |

| REV. | REVISION DESCRIPTION | DATE | APPD |
|------|----------------------|------|------|
| | | | |

Notes:

1. Rated voltage: 300V AC, DC
2. Rated current: 13A AC, DC MAX
3. Contact resistance: $\leq 20m\Omega$
4. Insulation resistance: $\geq 1000M\Omega$
5. Withstand voltage: 1500V AC/minute
6. Ambient temperature: $-40\sim 105^{\circ}C$
7. Materials: Nylon UL94-V0(2)
8. Green Material ROHS Compliant



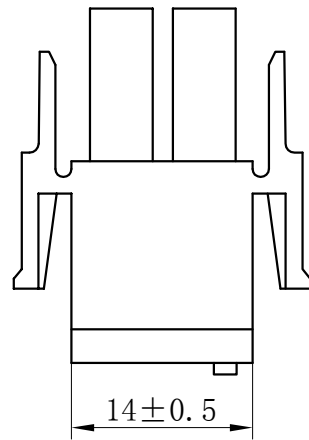
| Circuits | Product name | Dimension mm | | |
|----------|--------------|--------------|-------|-------|
| | | A | B | C |
| 2 | 42002-2AF0 | 6.30 | 14.00 | 31.20 |
| 3 | 42002-3AF0 | 12.60 | 20.30 | 37.50 |
| 4 | 42002-4AF0 | 18.90 | 26.60 | 43.80 |
| 5 | 42002-5AF0 | 25.20 | 32.90 | 50.10 |
| 6 | 42002-6AF0 | 31.50 | 39.20 | 56.40 |

| | | | |
|--|--------------|--|--|
| GENERAL TOLERANCES (UNLESS SPECIFIED) | | ZHE JIANG DELI CONNECTORS CO., LTD | |
| .X: ± 0.25 | X°: ± 3.0° | PRODUCT NAME: DL63001(42002)-AF0 | TITLE: 6.3 mm Pitch Wire To Board Wafer |
| .XX: ± 0.15 | .X°: ± 2.0° | DR: Ni Sheng Le | DATE: 21/05/20 |
| .XXX: ± 0.01 | .XX°: ± 1.0° | CHKD: Wu Hui | DATE: 21/05/20 |
| FINISH: _____ | | APPD: Ren An De | DATE: 21/05/20 |
| DRAWING NO: | | SCALE: N/A | PAGE: 1/1 |
| | | UNITS: mm | REV.: A |

| REV. | REVISION DESCRIPTION | DATE | APPD |
|------|----------------------|------|------|
| | | | |

NOTES:

- 1、 Current rating: 13A AC\DC
- 2、 Voltage rating: 300V AC\DC
- 3、 Temperature range: -40°C to 105°C
- 4、 Contact resistance: 20mΩ max
- 5、 Insulation resistance: 1000MΩ min
- 6、 Withstanding voltage: 1500V AC/ minute
- 7、 Materials: Nylon UL94V-0 (2)
- 8、 Green Material Rohs Compliant

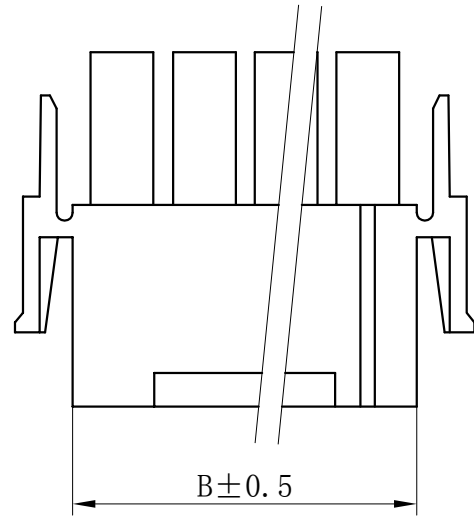


| GENERAL TOLERANCES (UNLESS SPECIFIED) | | ZHE JIANG DELI CONNECTORS CO., LTD | |
|---------------------------------------|---------------|------------------------------------|----------------|
| .X: ± 0.25 | X° : ± 3.0° | PRODUCT NAME: DL63001(42021)-2Y | |
| .XX: ± 0.15 | .X° : ± 2.0° | TITLE: 6.3 mm Pitch Housing | |
| .XXX: ± 0.01 | .XX° : ± 1.0° | DR: Ni sheng le | DATE: 21/05/20 |
| FINISH: _____ | | CHKD: Wu hui | DATE: 21/05/20 |
| DRAWING NO: | | APPD: Ren An De | DATE: 21/05/20 |
| | | SCALE: N/A | PAGE: 1/1 |
| | | UNITS: mm | REV.: A |

| REV. | REVISION DESCRIPTION | DATE | APPD |
|------|----------------------|------|------|
| | | | |

NOTES:

- 1、 Current rating: 13A AC\DC
- 2、 Voltage rating: 300V AC\DC
- 3、 Temperature range: -40°C to 105°C
- 4、 Contact resistance: 20mΩ max
- 5、 Insulation resistance: 1000MΩ min
- 6、 Withstanding voltage: 1500V AC/ minute
- 7、 Materials: Nylon UL94V-0 (2)
- 8、 Green Material Rohs Compliant



| Circuits | Product name | Dimension mm | |
|----------|--------------|--------------|------|
| | | A | B |
| 1X3 | 42021-3Y | 12.6 | 20.3 |
| 1X4 | 42021-4Y | 18.9 | 26.6 |
| 1X5 | 42021-5Y | 25.2 | 32.9 |
| 1X6 | 42021-6YM | 31.5 | 39.2 |

| GENERAL TOLERANCES (UNLESS SPECIFIED) | | ZHE JIANG DELI CONNECTORS CO., LTD | |
|---------------------------------------|---------------|------------------------------------|-----------------------------|
| .X: ± 0.25 | X° : ± 3.0° | PRODUCT NAME: | TITLE: 6.3 mm Pitch Housing |
| .XX: ± 0.15 | .X° : ± 2.0° | DL63001(42021)-Y | |
| .XXX: ± 0.01 | .XX° : ± 1.0° | DR: Ni sheng le | DATE: 21/05/20 |
| FINISH: | | CHKD: Wu hui | DATE: 21/05/20 |
| DRAWING NO: | | APPD: Ren An De | DATE: 21/05/20 |
| | | SCALE: N/A | PAGE: 1/1 |
| | | UNITS: mm | REV.: A |

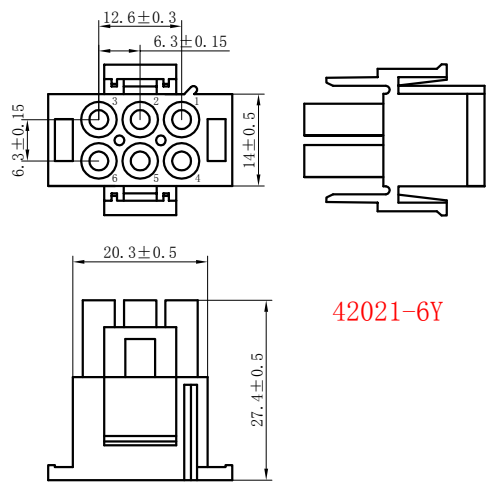
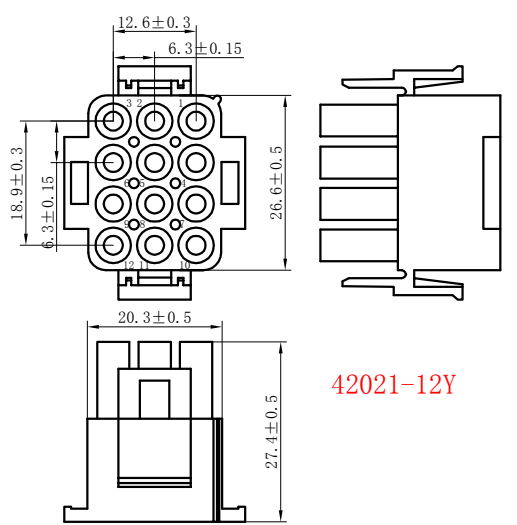
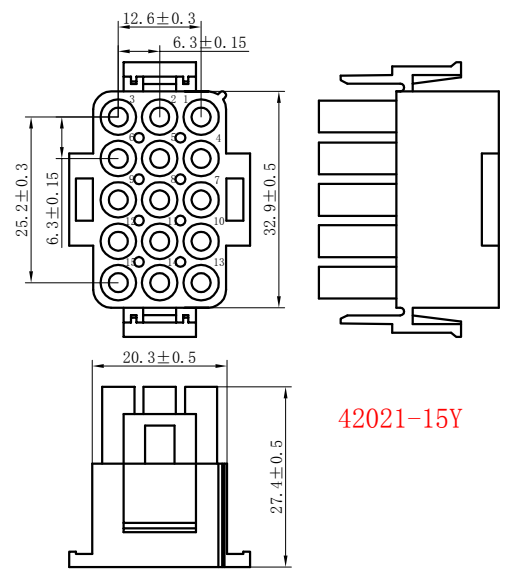
| REV. | REVISION DESCRIPTION | DATE | APPD |
|------|----------------------|------|------|
| | | | |

NOTES:

- 1、Current rating: 13A AC\DC
- 2、Voltage rating: 300V AC\DC
- 3、Temperature range: -40°C to 105°C
- 4、Contact resistance: 20mΩ max
- 5、Insulation resistance: 1000MΩ min
- 6、Withstanding voltage: 1500V AC/ minute
- 7、Materials: Nylon UL94V-0(2)
- 8、Green Material Rohs Compliant

A
B
C
D
E
F

A
B
C
D
E
F



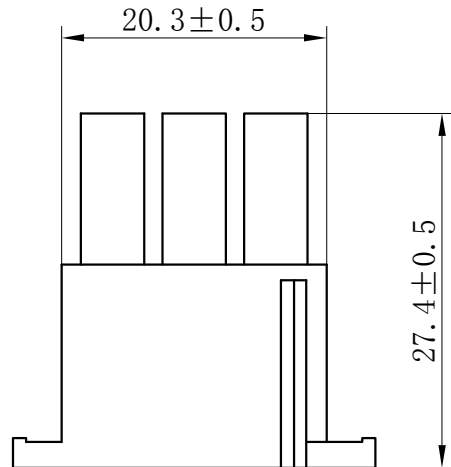
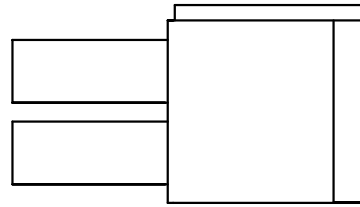
| | | | |
|--|---------------|------------------------------------|-----------------------------|
| GENERAL TOLERANCES (UNLESS SPECIFIED) | | ZHE JIANG DELI CONNECTORS CO., LTD | |
| .X: ± 0.25 | X° : ± 3.0° | PRODUCT NAME: DL63001 (42021)-Y | TITLE: 6.3 mm Pitch Housing |
| .XX: ± 0.15 | .X° : ± 2.0° | DR: Ni sheng le | DATE: 21/05/20 |
| .XXX: ± 0.01 | .XX° : ± 1.0° | CHKD: Wu hui | DATE: 21/05/20 |
| FINISH: | | APPD: Ren An De | DATE: 21/05/20 |
| DRAWING NO: | | SCALE: N/A | PAGE: 1/1 |
| | | UNITS: mm | REV.: A |

1 2 3 4 5 6 7 8

| REV. | REVISION DESCRIPTION | DATE | APPD |
|------|----------------------|------|------|
| | | | |

NOTES:

- 1、 Current rating: 13A AC\DC
- 2、 Voltage rating: 300V AC\DC
- 3、 Temperature range: -40°C to 105°C
- 4、 Contact resistance: 20mΩ max
- 5、 Insulation resistance: 1000MΩ min
- 6、 Withstanding voltage: 1500V AC/ minute
- 7、 Materials: Nylon UL94V-0 (2)
- 8、 Green Material Rohs Compliant

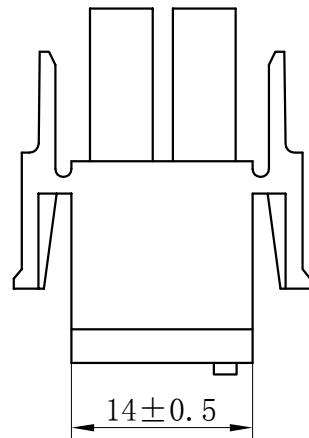
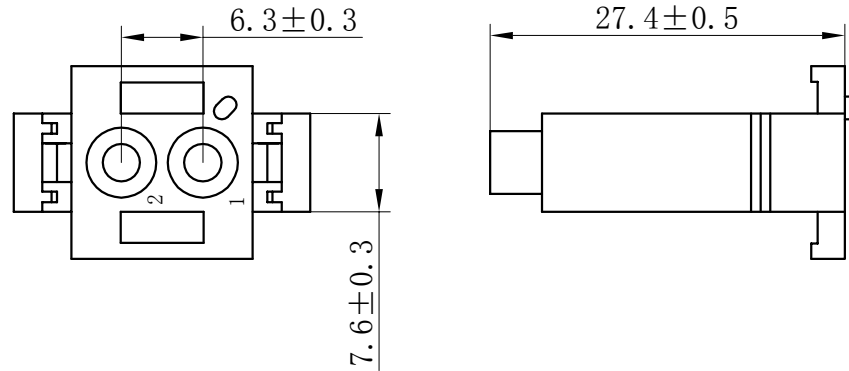


| GENERAL TOLERANCES (UNLESS SPECIFIED) | | ZHE JIANG DELI CONNECTORS CO., LTD | |
|---------------------------------------|---------------|------------------------------------|-----------------------------|
| .X: ± 0.25 | X° : ± 3.0° | PRODUCT NAME: | TITLE: 6.3 mm Pitch Housing |
| .XX: ± 0.15 | .X° : ± 2.0° | DL63001(42021)-6Y-WG | |
| .XXX: ± 0.01 | .XX° : ± 1.0° | DR: Ni sheng le | DATE: 21/05/20 |
| FINISH: | | CHKD: Wu hui | DATE: 21/05/20 |
| DRAWING NO: | | APPD: Ren An De | DATE: 21/05/20 |
| | | SCALE: N/A | PAGE: 1/1 |
| | | UNITS: mm | REV.: A |

| REV. | REVISION DESCRIPTION | DATE | APPD |
|------|----------------------|------|------|
| | | | |

NOTES:

- 1、 Current rating: 13A AC\DC
- 2、 Voltage rating: 300V AC\DC
- 3、 Temperature range: -40°C to 105°C
- 4、 Contact resistance: 20mΩ max
- 5、 Insulation resistance: 1000MΩ min
- 6、 Withstanding voltage: 1500V AC/ minute
- 7、 Materials: Nylon UL94V-0
- 8、 Green Material Rohs Compliant

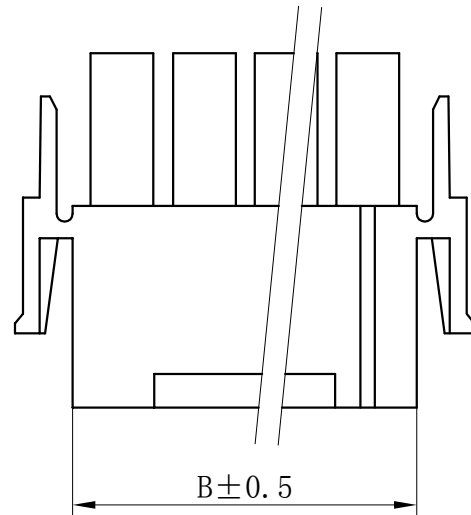


| GENERAL TOLERANCES (UNLESS SPECIFIED) | | ZHE JIANG DELI CONNECTORS CO., LTD | |
|---------------------------------------|---------------|------------------------------------|-----------------------------|
| .X: ± 0.25 | X° : ± 3.0° | PRODUCT NAME: | TITLE: 6.3 mm Pitch Housing |
| .XX: ± 0.15 | .X° : ± 2.0° | DL63001(42021)-2Y-V0 | |
| .XXX: ± 0.01 | .XX° : ± 1.0° | DR: Ni sheng le | DATE: 21/05/20 |
| FINISH: | | CHKD: Wu hui | DATE: 21/05/20 |
| DRAWING NO: | | APPD: Ren An De | DATE: 21/05/20 |
| | | SCALE: N/A | PAGE: 1/1 |
| | | UNITS: mm | REV.: A |

| REV. | REVISION DESCRIPTION | DATE | APPD |
|------|----------------------|------|------|
| | | | |

NOTES:

- 1、 Current rating: 13A AC\DC
- 2、 Voltage rating: 300V AC\DC
- 3、 Temperature range: -40℃ to 105℃
- 4、 Contact resistance: 20mΩ max
- 5、 Insulation resistance: 1000MΩ min
- 6、 Withstanding voltage: 1500V AC/ minute
- 7、 Materials: Nylon UL94V-0
- 8、 Green Material Rohs Compliant



| Circuits | Product name | Dimension mm | |
|----------|--------------|--------------|------|
| | | A | B |
| 1X3 | 42021-3Y-V0 | 12.6 | 20.3 |
| 1X4 | 42021-4Y-V0 | 18.9 | 26.6 |
| 1X5 | 42021-5Y-V0 | 25.2 | 32.9 |
| 1X6 | 42021-6YM-V0 | 31.5 | 39.2 |

| GENERAL TOLERANCES (UNLESS SPECIFIED) | | ZHE JIANG DELI CONNECTORS CO., LTD | |
|---------------------------------------|---------------|------------------------------------|-----------------------------|
| .X: ± 0.25 | X° : ± 3.0° | PRODUCT NAME: | TITLE: 6.3 mm Pitch Housing |
| .XX: ± 0.15 | .X° : ± 2.0° | DL63001(42021)-Y-V0 | |
| .XXX: ± 0.01 | .XX° : ± 1.0° | DR: Ni sheng le | DATE: 21/05/20 |
| FINISH: | | CHKD: Wu hui | DATE: 21/05/20 |
| DRAWING NO: | | APPD: Ren An De | DATE: 21/05/20 |
| | | SCALE: N/A | PAGE: 1/1 |
| | | UNITS: mm | REV.: A |

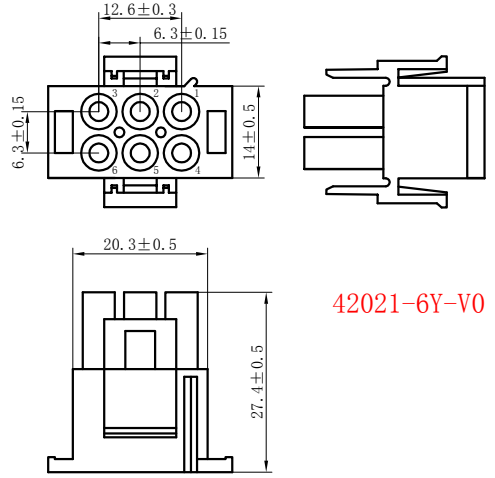
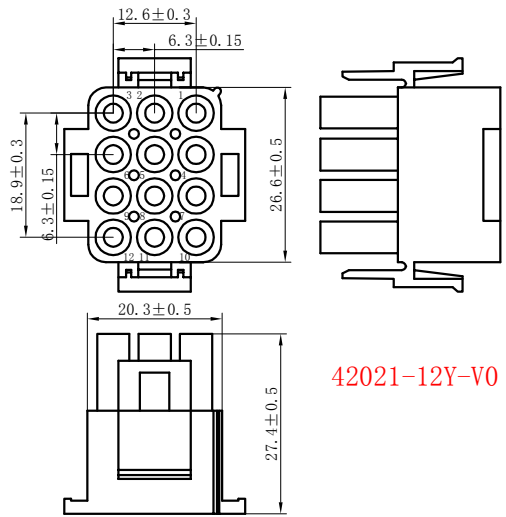
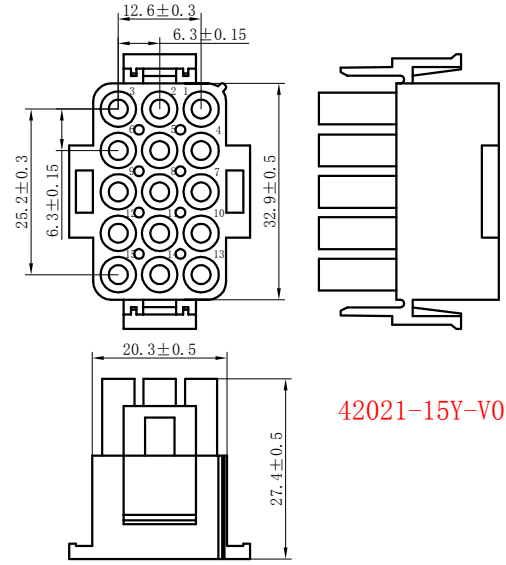
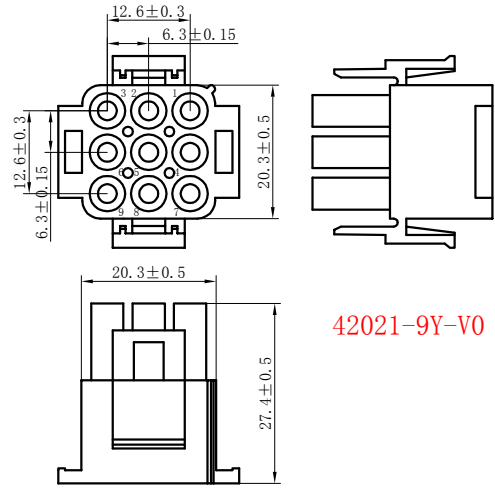
| REV. | REVISION DESCRIPTION | DATE | APPD |
|------|----------------------|------|------|
| | | | |

NOTES:

- 1、Current rating: 13A AC\DC
- 2、Voltage rating: 300V AC\DC
- 3、Temperature range: -40℃ to 105℃
- 4、Contact resistance: 20mΩ max
- 5、Insulation resistance: 1000MΩ min
- 6、Withstanding voltage: 1500V AC/ minute
- 7、Materials: Nylon UL94V-0
- 8、Green Material Rohs Compliant

A
B
C
D
E
F

A
B
C
D
E
F



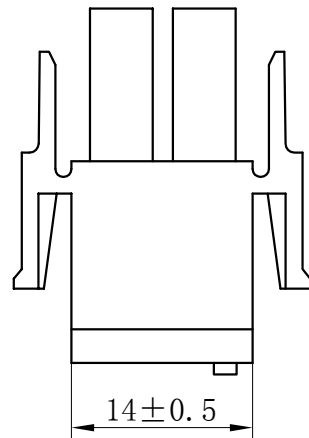
| | | | |
|--|---------------|---------------------------------------|-----------------------------|
| GENERAL TOLERANCES (UNLESS SPECIFIED) | | ZHE JIANG DELI CONNECTORS CO., LTD | |
| .X: ± 0.25 | X° : ± 3.0° | PRODUCT NAME: DL63001 (42021)-Y-V0 | TITLE: 6.3 mm Pitch Housing |
| .XX: ± 0.15 | .X° : ± 2.0° | DR: Ni sheng le | DATE: 21/05/20 |
| .XXX: ± 0.01 | .XX° : ± 1.0° | CHKD: Wu hui | DATE: 21/05/20 |
| FINISH: | | APPD: Ren An De | DATE: 21/05/20 |
| DRAWING NO: | | SCALE: N/A | PAGE: 1/1 |
| | | UNITS: mm | REV.: A |

1 2 3 4 5 6 7 8

| REV. | REVISION DESCRIPTION | DATE | APPD |
|------|----------------------|------|------|
| | | | |

NOTES:

- 1、 Current rating: 13A AC\DC
- 2、 Voltage rating: 300V AC\DC
- 3、 Temperature range: -40°C to 105°C
- 4、 Contact resistance: 20mΩ max
- 5、 Insulation resistance: 1000MΩ min
- 6、 Withstanding voltage: 1500V AC/ minute
- 7、 Materials: Nylon 750°C UL94V-0
- 8、 Green Material Rohs Compliant

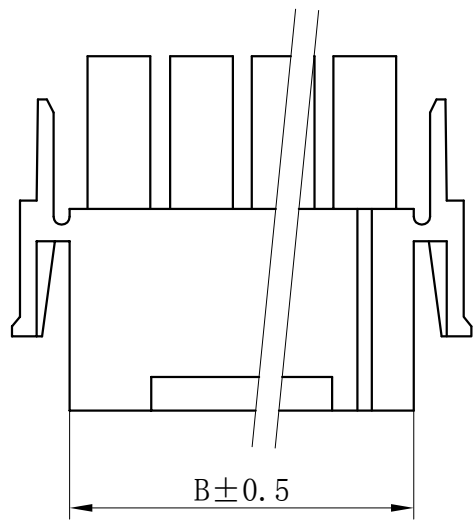
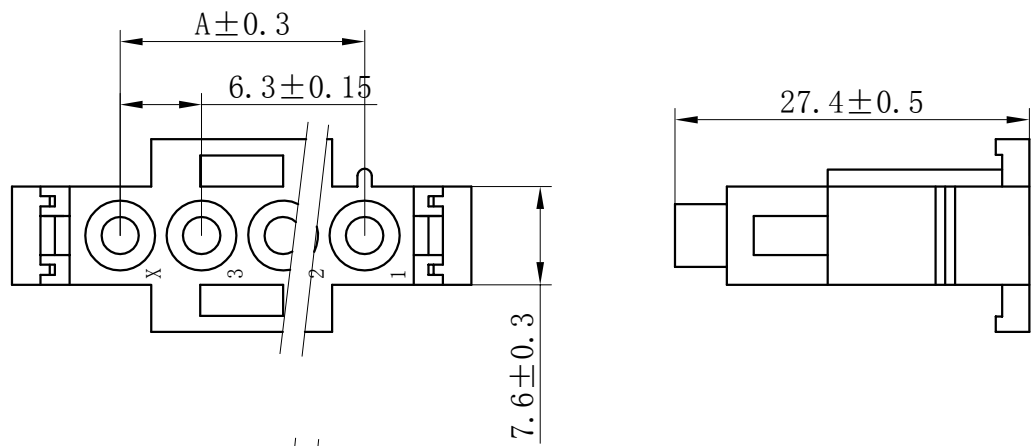


| GENERAL TOLERANCES (UNLESS SPECIFIED) | | ZHE JIANG DELI CONNECTORS CO., LTD | |
|---------------------------------------|---------------|--------------------------------------|----------------|
| .X: ± 0.25 | X° : ± 3.0° | PRODUCT NAME: DL63001 (42021)-2Y-750 | |
| .XX: ± 0.15 | .X° : ± 2.0° | TITLE: 6.3 mm Pitch Housing | |
| .XXX: ± 0.01 | .XX° : ± 1.0° | DR: Ni sheng le | DATE: 21/05/20 |
| FINISH: _____ | | CHKD: Wu hui | DATE: 21/05/20 |
| DRAWING NO: _____ | | APPD: Ren An De | DATE: 21/05/20 |
| | | SCALE: N/A | PAGE: 1/1 |
| | | UNITS: mm | REV.: A |

| REV. | REVISION DESCRIPTION | DATE | APPD |
|------|----------------------|------|------|
| | | | |

NOTES:

- 1、 Current rating: 13A AC\DC
- 2、 Voltage rating: 300V AC\DC
- 3、 Temperature range: -40°C to 105°C
- 4、 Contact resistance: 20mΩ max
- 5、 Insulation resistance: 1000MΩ min
- 6、 Withstanding voltage: 1500V AC/ minute
- 7、 Materials: Nylon 750°C UL94V-0
- 8、 Green Material Rohs Compliant



| Circuits | Product name | Dimension mm | |
|----------|---------------|--------------|------|
| | | A | B |
| 1X3 | 42021-3Y-750 | 12.6 | 20.3 |
| 1X4 | 42021-4Y-750 | 18.9 | 26.6 |
| 1X5 | 42021-5Y-750 | 25.2 | 32.9 |
| 1X6 | 42021-6YM-750 | 31.5 | 39.2 |

| | | | |
|---------------------------------------|-----------------|--|-----------------------------|
| GENERAL TOLERANCES (UNLESS SPECIFIED) | | ZHE JIANG DELI CONNECTORS CO., LTD | |
| .X: ± 0.25 | X° : ± 3.0° | PRODUCT NAME: DL63001(42021)-Y-750 | TITLE: 6.3 mm Pitch Housing |
| .XX: ± 0.15 | .X° : ± 2.0° | DR: Ni sheng le | DATE: 21/05/20 |
| .XXX: ± 0.01 | .XX° : ± 1.0° | DATE: 21/05/20 | PART NO: |
| FINISH: | CHKD: Wu hui | DATE: 21/05/20 | SCALE: N/A |
| DRAWING NO: | APPD: Ren An De | DATE: 21/05/20 | PAGE: 1/1 |
| | | UNITS: mm | REV.: A |

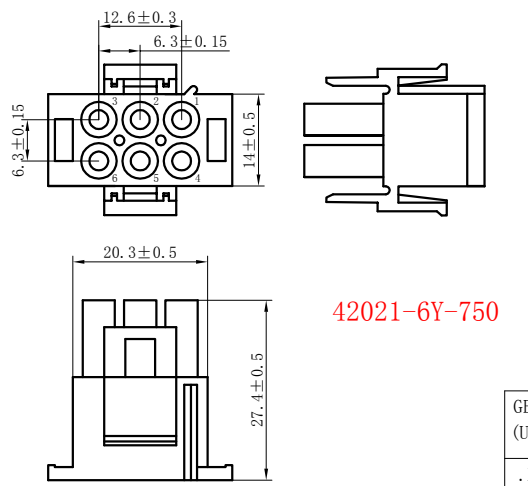
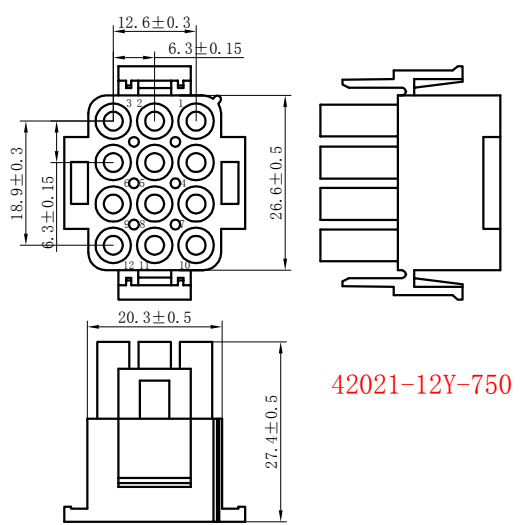
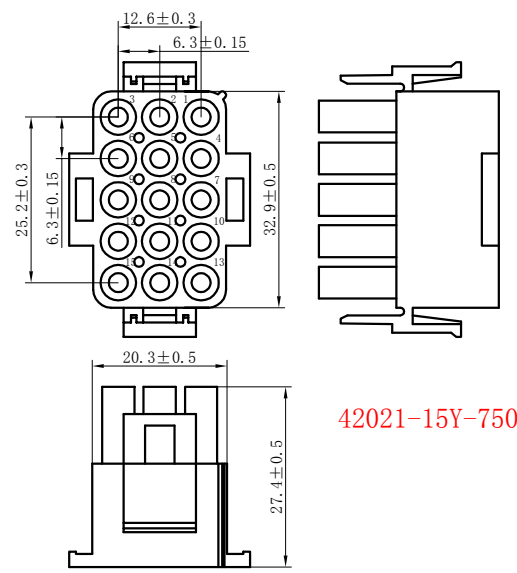
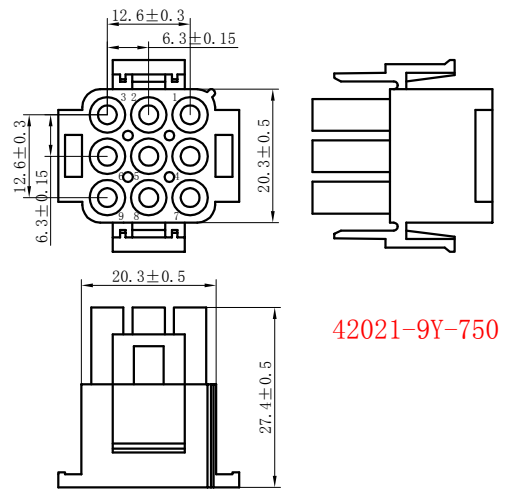
| REV. | REVISION DESCRIPTION | DATE | APPD |
|------|----------------------|------|------|
| | | | |

NOTES:

- 1、Current rating: 13A AC\DC
- 2、Voltage rating: 300V AC\DC
- 3、Temperature range: -40℃ to 105℃
- 4、Contact resistance: 20mΩ max
- 5、Insulation resistance: 1000MΩ min
- 6、Withstanding voltage: 1500V AC/ minute
- 7、Materials: Nylon 750℃ UL94V-0
- 8、Green Material Rohs Compliant

A
B
C
D
E
F

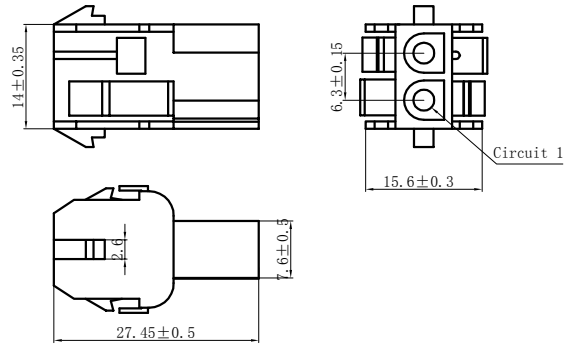
A
B
C
D
E
F



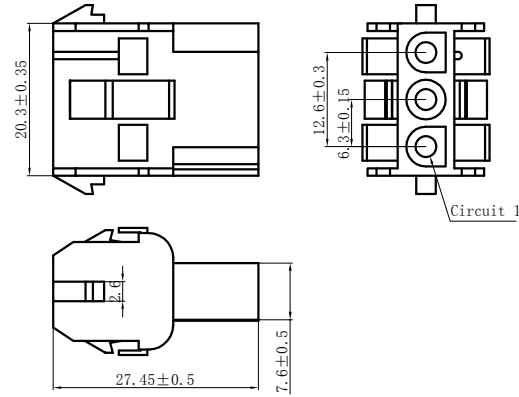
| | | | |
|--|--------------|--|-----------------------------|
| GENERAL TOLERANCES (UNLESS SPECIFIED) | | ZHE JIANG DELI CONNECTORS CO., LTD | |
| .X: ± 0.25 | X°: ± 3.0° | PRODUCT NAME: DL63001 (42021)-Y-750 | TITLE: 6.3 mm Pitch Housing |
| .XX: ± 0.15 | .X°: ± 2.0° | DR: Ni sheng le | DATE: 21/05/20 |
| .XXX: ± 0.01 | .XX°: ± 1.0° | DATE: 21/05/20 | PART NO: |
| FINISH: | | CHKD: Wu hui | DATE: 21/05/20 |
| DRAWING NO: | | APPD: Ren An De | DATE: 21/05/20 |
| | | SCALE: N/A | PAGE: 1/1 |
| | | UNITS: mm | REV.: A |

1 2 3 4 5 6 7 8

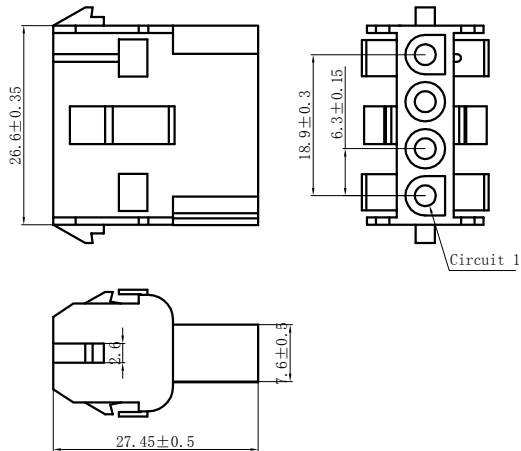
42002-2R



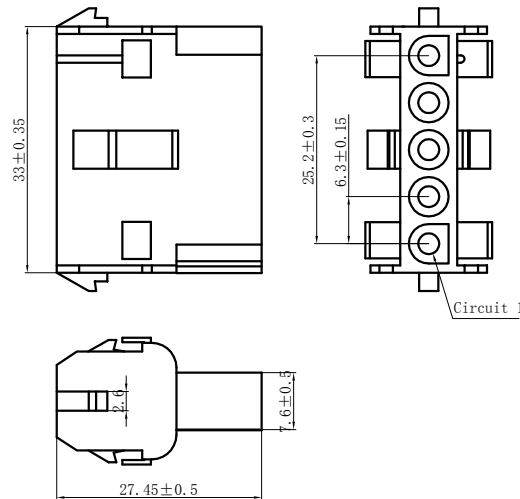
42002-3R



42002-4R



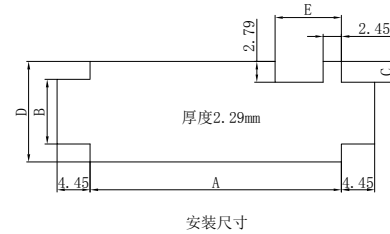
42002-5R



| REV. | REVISION DESCRIPTION | DATE | APPD |
|------|----------------------|------|------|
| | | | |

NOTES:

- 1、Current rating: 13A AC\DC
- 2、Voltage rating: 300V AC\DC
- 3、Temperature range: -40°C to 105°C
- 4、Contact resistance: 20mΩ max
- 5、Insulation resistance: 1000MΩ min
- 6、Withstanding voltage: 1500V AC/ minute
- 7、Materials: Nylon UL94V-0(2)
- 8、Green Material Rohs Compliant



| Circuits | Product name | Applicable PC board thickness (mm) | | | | |
|----------|--------------|------------------------------------|------|------|-------|------|
| | | A | B | C | D | E |
| 1×2 | 42022-2R | 14.35 | 8.64 | 2.41 | 13.46 | 6.35 |
| 1×3 | 42022-3R | 20.70 | 8.64 | 2.41 | 13.46 | 6.35 |
| 1×4 | 42022-4R | 27.05 | 8.64 | 2.41 | 13.46 | 6.35 |
| 1×5 | 42022-5R | 33.40 | 8.64 | 2.41 | 13.46 | 6.35 |

GENERAL TOLERANCES
(UNLESS SPECIFIED)

ZHE JIANG DELI CONNECTORS CO., LTD

.X: ± 0.25

X°: ± 3.0°

PRODUCT NAME:

TITLE: 6.3 mm Pitch
Wire To Wire Housing

.XX: ± 0.15

.X°: ± 2.0°

DL63001 (42022)-R

DR: Yuan Jun Rong

DATE: 22/05/20

PART NO:

.XXX: ± 0.01

.XX°: ± 1.0°

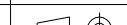
CHKD: Wu Hui

DATE: 22/05/20

SCALE: N/A

PAGE: 1/2

FINISH:



APPD: Ren An De

DATE: 22/05/20

UNITS: mm

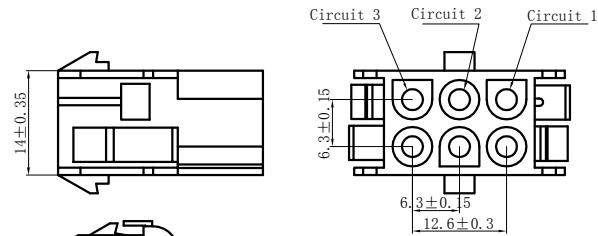
REV.: A

DRAWING NO:

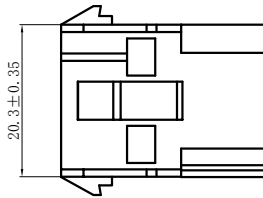
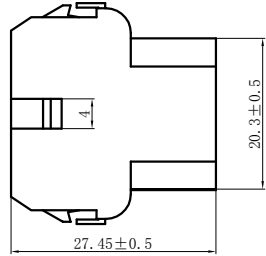
| REV. | REVISION DESCRIPTION | DATE | APPD |
|------|----------------------|------|------|
| | | | |

NOTES:

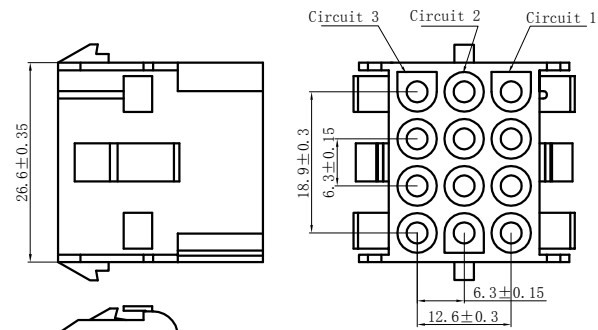
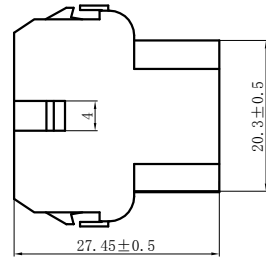
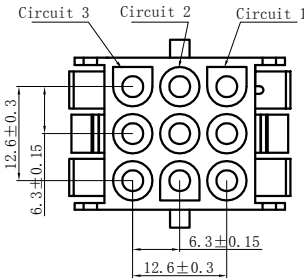
- 1、Current rating: 13A AC\DC
- 2、Voltage rating: 300V AC\DC
- 3、Temperature range: -40°C to 105°C
- 4、Contact resistance: 20mΩ max
- 5、Insulation resistance: 1000MΩ min
- 6、Withstanding voltage: 1500V AC/ minute
- 7、Materials: Nylon UL94V-0(2)
- 8、Green Material Rohs Compliant



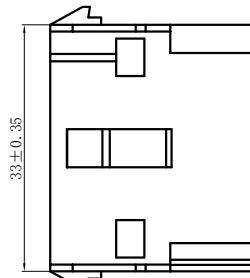
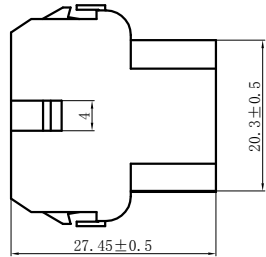
42002-6R



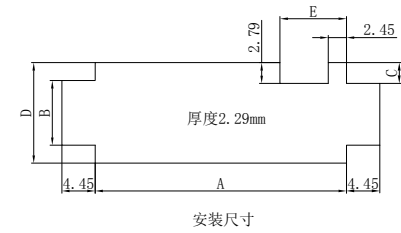
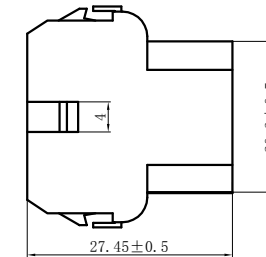
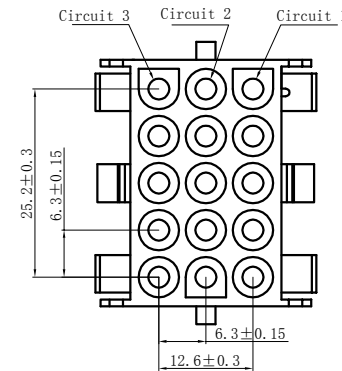
42002-9R



42002-12R



42002-15R



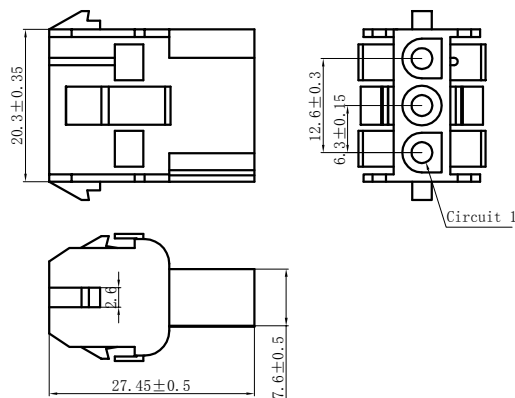
| Circuits | Type | Applicable PC board thickness (mm) | | | | |
|----------|-----------|------------------------------------|-------|------|-------|------|
| | | A | B | C | D | E |
| 2×3 | 42022-6R | 14.35 | 12.90 | 6.99 | 26.13 | 6.35 |
| 3×3 | 42022-9R | 20.70 | 12.90 | 6.99 | 26.13 | 6.35 |
| 3×4 | 42022-12R | 27.05 | 12.90 | 6.99 | 26.13 | 6.35 |
| 3×5 | 42022-15R | 33.40 | 12.90 | 6.99 | 26.13 | 6.35 |

| | | | |
|--|--------------|------------------------------------|---|
| GENERAL TOLERANCES (UNLESS SPECIFIED) | | ZHE JIANG DELI CONNECTORS CO., LTD | |
| .X: ± 0.25 | X°: ± 3.0° | PRODUCT NAME: DL63001 (42022)-R | TITLE: 6.3 mm Pitch Wire To Wire Housing |
| .XX: ± 0.15 | .X°: ± 2.0° | DR: Yuan Jun Rong | DATE: 22/05/20 |
| .XXX: ± 0.01 | .XX°: ± 1.0° | DATE: 22/05/20 | PART NO: |
| FINISH: | | CHKD: Wu Hui | DATE: 22/05/20 |
| DRAWING NO: | | APPD: Ren An De | DATE: 22/05/20 |
| | | SCALE: N/A | PAGE: 2/2 |
| | | UNITS: mm | REV.: A |

42002-2R-V0



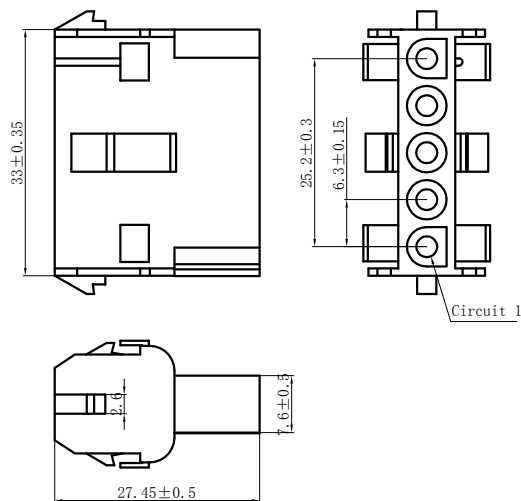
42002-3R-V0



42002-4R-V0



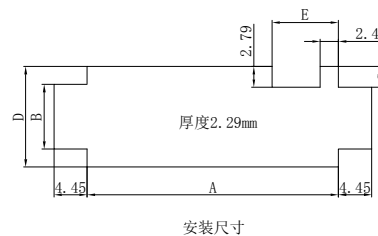
42002-5R-V0



| REV. | REVISION DESCRIPTION | DATE | APPD |
|------|----------------------|------|------|
| | | | |

NOTES:

- 1、 Current rating: 13A AC\DC
- 2、 Voltage rating: 300V AC\DC
- 3、 Temperature range: -40°C to 105°C
- 4、 Contact resistance: 20mΩ max
- 5、 Insulation resistance: 1000MΩ min
- 6、 Withstanding voltage: 1500V AC/ minute
- 7、 Materials: Nylon UL94V-0
- 8、 Green Material Rohs Compliant



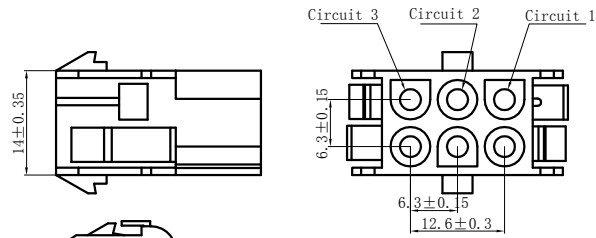
| Circuits | Product name | Applicable PC board thickness (mm) | | | | |
|----------|--------------|------------------------------------|------|------|-------|------|
| | | A | B | C | D | E |
| 1×2 | 42022-2R-V0 | 14.35 | 8.64 | 2.41 | 13.46 | 6.35 |
| 1×3 | 42022-3R-V0 | 20.70 | 8.64 | 2.41 | 13.46 | 6.35 |
| 1×4 | 42022-4R-V0 | 27.05 | 8.64 | 2.41 | 13.46 | 6.35 |
| 1×5 | 42022-5R-V0 | 33.40 | 8.64 | 2.41 | 13.46 | 6.35 |

| | | | |
|---------------------------------------|--------------|---------------------------------------|---|
| GENERAL TOLERANCES (UNLESS SPECIFIED) | | ZHE JIANG DELI CONNECTORS CO., LTD | |
| .X: ± 0.25 | X°: ± 3.0° | PRODUCT NAME: DL63001 (42022)-R-V0 | TITLE: 6.3 mm Pitch Wire To Wire Housing |
| .XX: ± 0.15 | .X°: ± 2.0° | DR: Yuan Jun Rong | DATE: 22/05/20 |
| .XXX: ± 0.01 | .XX°: ± 1.0° | CHKD: Wu Hui | DATE: 22/05/20 |
| FINISH: | | APPD: Ren An De | DATE: 22/05/20 |
| DRAWING NO: | | UNITS: mm | PAGE: 1/2 |
| | | | REV.: A |

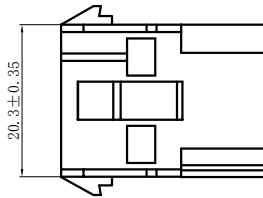
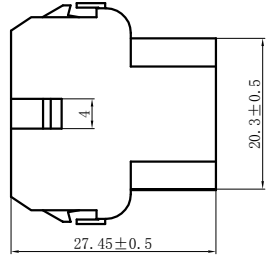
| REV. | REVISION DESCRIPTION | DATE | APPD |
|------|----------------------|------|------|
| | | | |

NOTES:

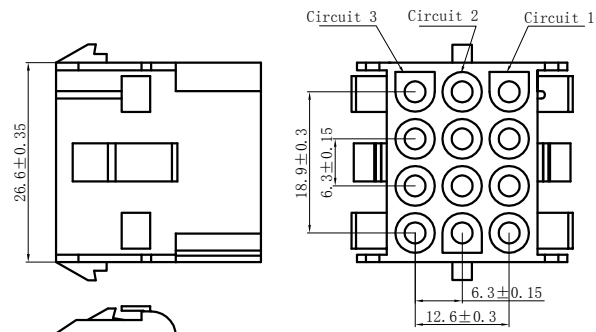
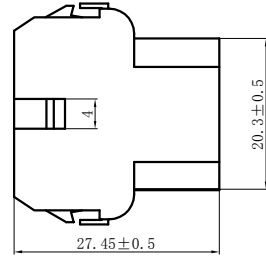
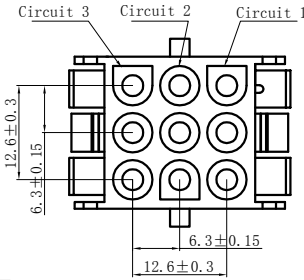
- 1、Current rating: 13A AC\DC
- 2、Voltage rating: 300V AC\DC
- 3、Temperature range: -40°C to 105°C
- 4、Contact resistance: 20mΩ max
- 5、Insulation resistance: 1000MΩ min
- 6、Withstanding voltage: 1500V AC/ minute
- 7、Materials: Nylon UL94V-0
- 8、Green Material Rohs Compliant



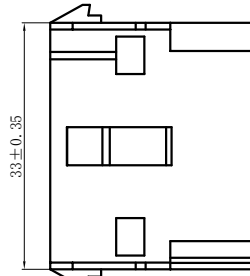
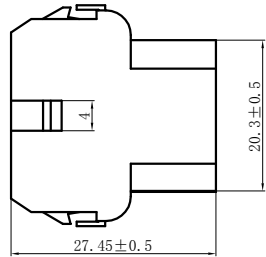
42002-6R-V0



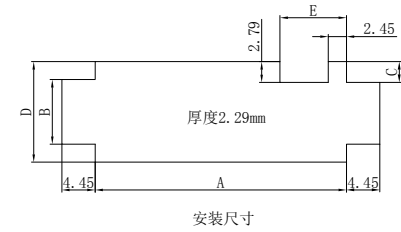
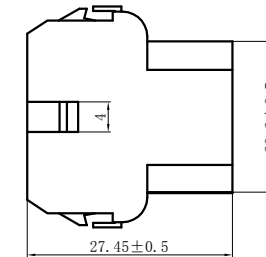
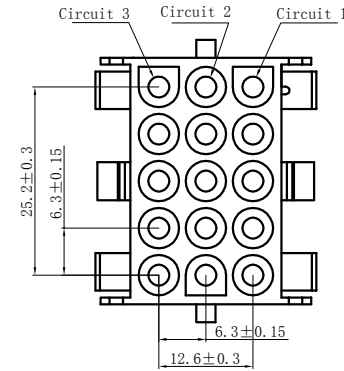
42002-9R-V0



42002-12R-V0



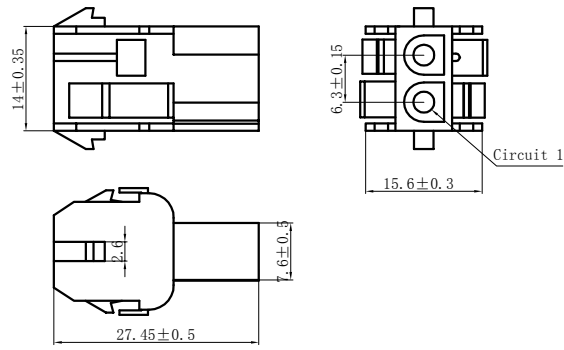
42002-15R-V0



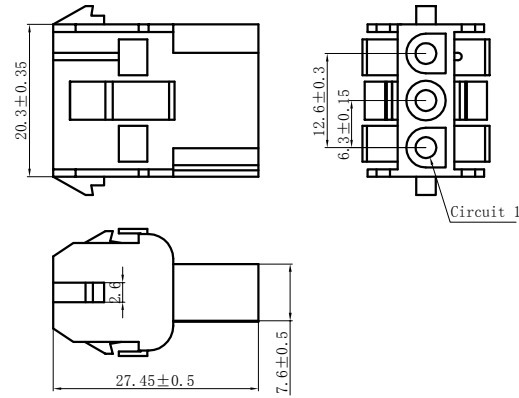
| Circuits | Type | Applicable PC board thickness (mm) | | | | |
|----------|--------------|------------------------------------|-------|------|-------|------|
| | | A | B | C | D | E |
| 2×3 | 42022-6R-V0 | 14.35 | 12.90 | 6.99 | 26.13 | 6.35 |
| 3×3 | 42022-9R-V0 | 20.70 | 12.90 | 6.99 | 26.13 | 6.35 |
| 3×4 | 42022-12R-V0 | 27.05 | 12.90 | 6.99 | 26.13 | 6.35 |
| 3×5 | 42022-15R-V0 | 33.40 | 12.90 | 6.99 | 26.13 | 6.35 |

| | | | |
|--|---------------|---------------------------------------|---|
| GENERAL TOLERANCES (UNLESS SPECIFIED) | | ZHE JIANG DELI CONNECTORS CO., LTD | |
| .X: ± 0.25 | X° : ± 3.0° | PRODUCT NAME: DL63001 (42022)-R-V0 | TITLE: 6.3 mm Pitch Wire To Wire Housing |
| .XX: ± 0.15 | .X° : ± 2.0° | DR: Yuan Jun Rong | DATE: 22/05/20 |
| .XXX: ± 0.01 | .XX° : ± 1.0° | DATE: 22/05/20 | PART NO: |
| FINISH: | | CHKD: Wu Hui | DATE: 22/05/20 |
| DRAWING NO: | | APPD: Ren An De | DATE: 22/05/20 |
| | | SCALE: N/A | PAGE: 2/2 |
| | | UNITS: mm | REV.: A |

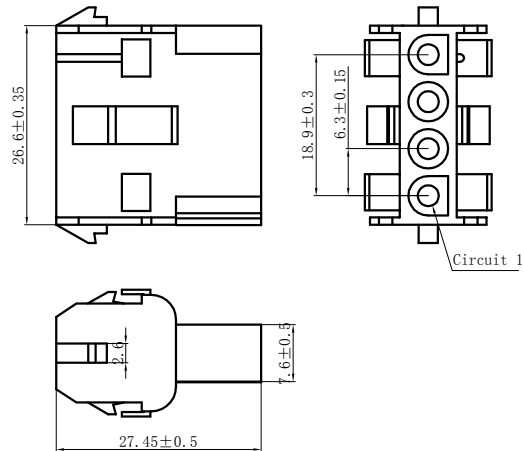
42002-2R-750



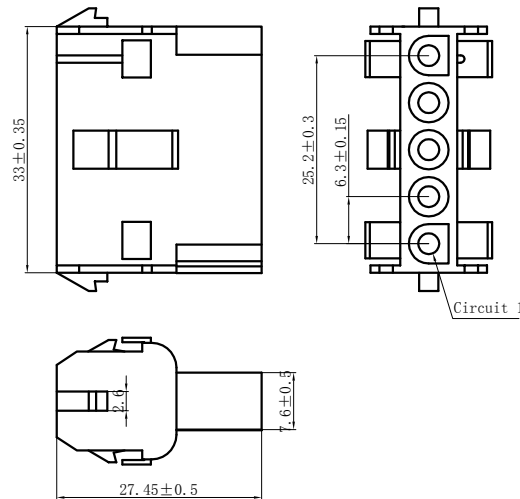
42002-3R-750



42002-4R-750



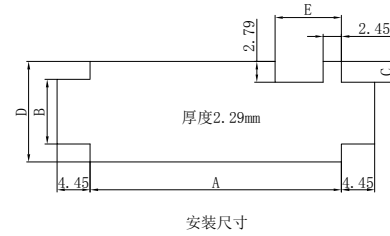
42002-5R-750



| REV. | REVISION DESCRIPTION | DATE | APPD |
|------|----------------------|------|------|
| | | | |

NOTES:

- 1、Current rating: 13A AC\DC
- 2、Voltage rating: 300V AC\DC
- 3、Temperature range: -40°C to 105°C
- 4、Contact resistance: 20mΩ max
- 5、Insulation resistance: 1000MΩ min
- 6、Withstanding voltage: 1500V AC/ minute
- 7、Materials: Nylon 750°C UL94V-0
- 8、Green Material Rohs Compliant



| Circuits | Product name | Applicable PC board thickness (mm) | | | | |
|----------|--------------|------------------------------------|------|------|-------|------|
| | | A | B | C | D | E |
| 1×2 | 42022-2R-750 | 14.35 | 8.64 | 2.41 | 13.46 | 6.35 |
| 1×3 | 42022-3R-750 | 20.70 | 8.64 | 2.41 | 13.46 | 6.35 |
| 1×4 | 42022-4R-750 | 27.05 | 8.64 | 2.41 | 13.46 | 6.35 |
| 1×5 | 42022-5R-750 | 33.40 | 8.64 | 2.41 | 13.46 | 6.35 |

GENERAL TOLERANCES
(UNLESS SPECIFIED)

ZHE JIANG DELI CONNECTORS CO., LTD

. X: ± 0.25

. XX: ± 0.15

. XXX: ± 0.01

FINISH:

DRAWING NO:

PRODUCT NAME:
DL63001 (42022)-R-750

DR: Yuan Jun Rong

CHKD: Wu Hui

APPD: Ren An De

TITLE:
6.3 mm Pitch
Wire To Wire Housing

DATE: 22/05/20

DATE: 22/05/20

DATE: 22/05/20

PART NO:

SCALE: N/A

UNITS: mm

PAGE: 1/2

REV.: A

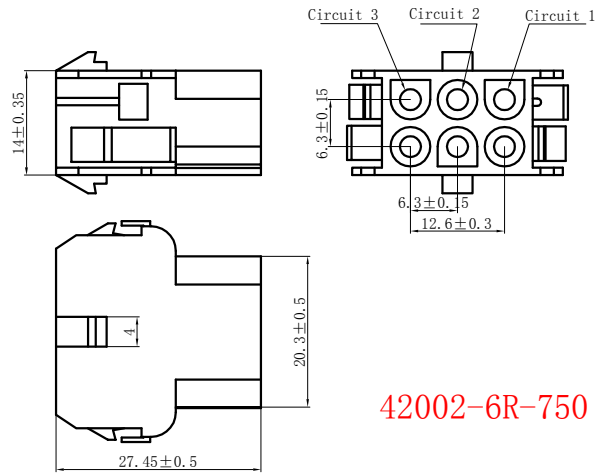
| REV. | REVISION DESCRIPTION | DATE | APPD |
|------|----------------------|------|------|
| | | | |

NOTES:

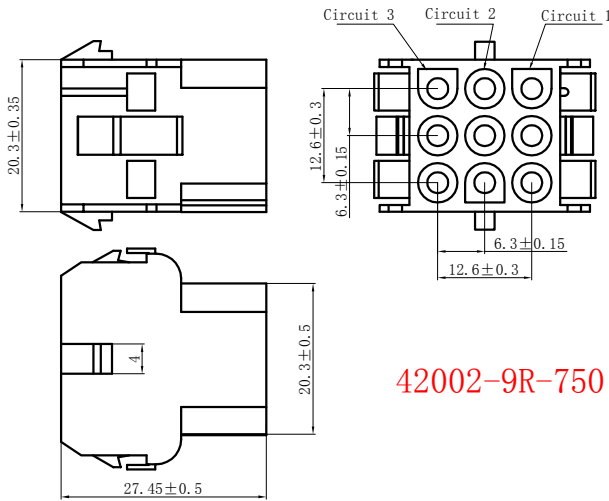
- 1、Current rating: 13A AC\DC
- 2、Voltage rating: 300V AC\DC
- 3、Temperature range: -40°C to 105°C
- 4、Contact resistance: 20mΩ max
- 5、Insulation resistance: 1000MΩ min
- 6、Withstanding voltage: 1500V AC/ minute
- 7、Materials: Nylon 750°C UL94V-0
- 8、Green Material Rohs Compliant

A
B
C
D
E
F

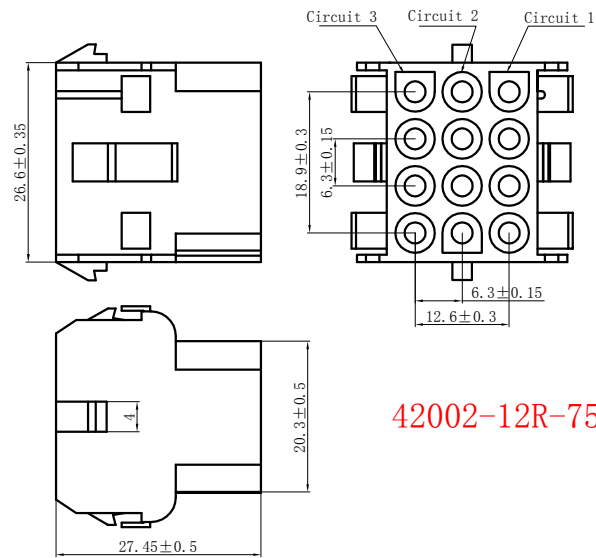
A
B
C
D
E
F



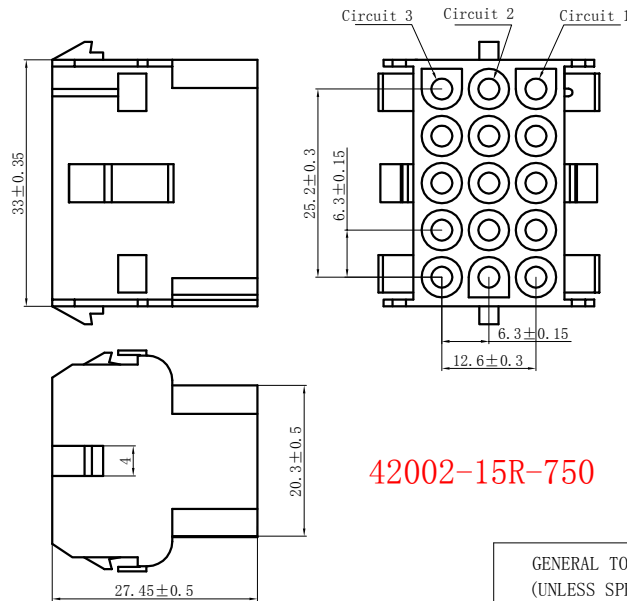
42002-6R-750



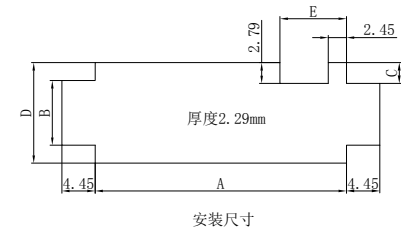
42002-9R-750



42002-12R-750



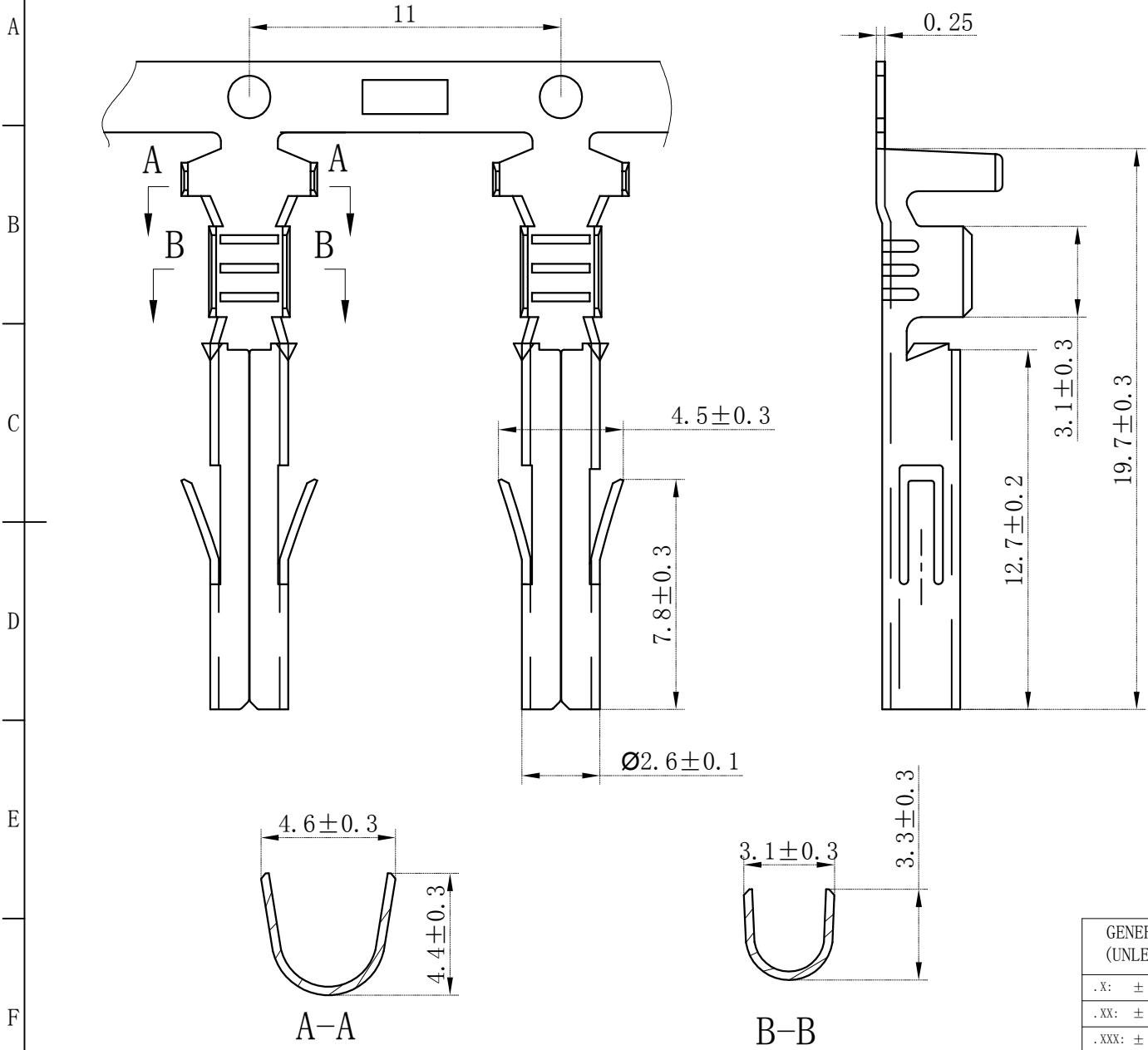
42002-15R-750



| Circuits | Type | Applicable PC board thickness (mm) | | | | |
|----------|---------------|------------------------------------|-------|------|-------|------|
| | | A | B | C | D | E |
| 2×3 | 42022-6R-750 | 14.35 | 12.90 | 6.99 | 26.13 | 6.35 |
| 3×3 | 42022-9R-750 | 20.70 | 12.90 | 6.99 | 26.13 | 6.35 |
| 3×4 | 42022-12R-750 | 27.05 | 12.90 | 6.99 | 26.13 | 6.35 |
| 3×5 | 42022-15R-750 | 33.40 | 12.90 | 6.99 | 26.13 | 6.35 |

| | | | |
|--|--------------|--|---|
| GENERAL TOLERANCES (UNLESS SPECIFIED) | | ZHE JIANG DELI CONNECTORS CO., LTD | |
| .X: ± 0.25 | X°: ± 3.0° | PRODUCT NAME: DL63001 (42022)-R-750 | TITLE: 6.3 mm Pitch Wire To Wire Housing |
| .XX: ± 0.15 | .X°: ± 2.0° | DR: Yuan Jun Rong | DATE: 22/05/20 |
| .XXX: ± 0.01 | .XX°: ± 1.0° | DATE: 22/05/20 | PART NO: |
| FINISH: | | CHKD: Wu Hui | DATE: 22/05/20 |
| DRAWING NO: | | APPD: Ren An De | DATE: 22/05/20 |
| | | SCALE: N/A | PAGE: 2/2 |
| | | UNITS: mm | REV.: A |

| REV. | REVISION DESCRIPTION | DATE | APPD |
|------|----------------------|------|------|
| | | | |

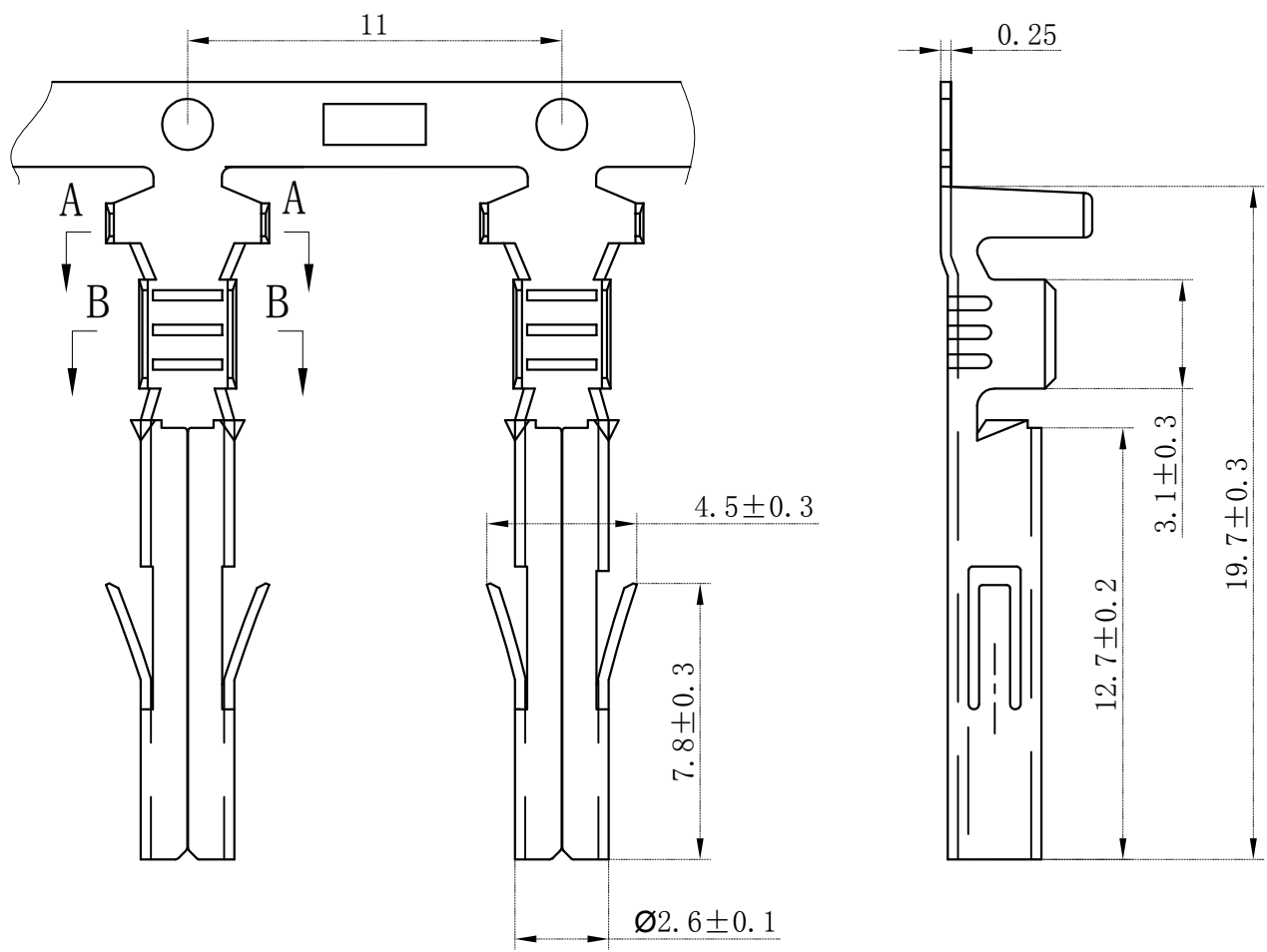


NOTES

Used in DL63001-Y Series Housing.
 Accepts AWG #20~16 Wire Range.
 Material : Phosphor Bronze .
 Finish: Tin plated.
 Thickness: 0.25 mm.

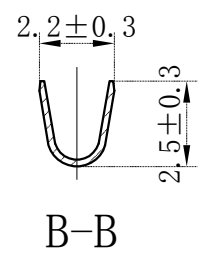
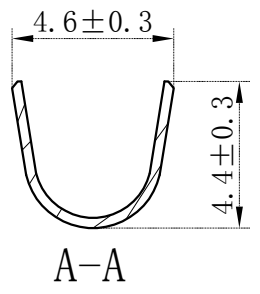
| GENERAL TOLERANCES (UNLESS SPECIFIED) | | ZHE JIANG DELI CONNECTORS CO., LTD | |
|---------------------------------------|--------------|------------------------------------|-------------------------------------|
| .X: ± 0.25 | X°: ± 3.0° | PRODUCT NAME: | TITLE: 6.30 mm Pitch Crimp Terminal |
| .XX: ± 0.15 | .X°: ± 2.0° | DL63001(42024)-T | |
| .XXX: ± 0.01 | .XX°: ± 1.0° | DR: Ni Sheng Le | DATE: 21/05/20 |
| FINISH: | | CHKD: Wu Hui | DATE: 21/05/20 |
| DRAWING NO: | | APPD: Ren An De | DATE: 21/05/20 |
| | | SCALE: N/A | PAGE: 1/1 |
| | | UNITS: mm | REV.: A |

| REV. | REVISION DESCRIPTION | DATE | APPD |
|------|----------------------|------|------|
| | | | |



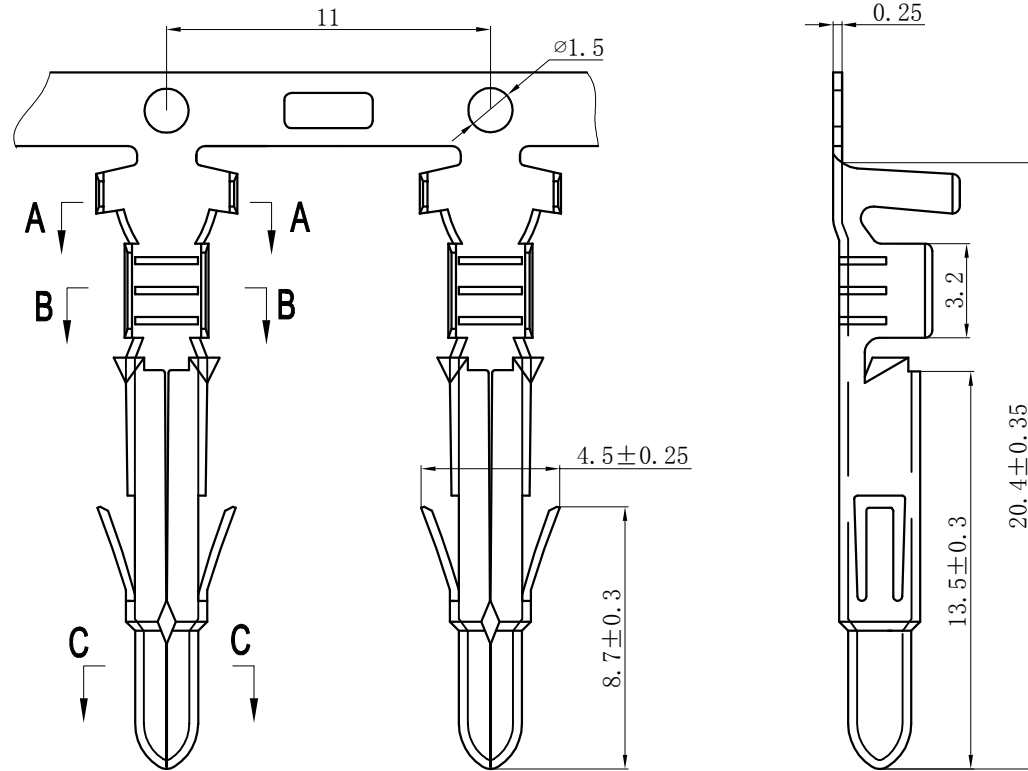
NOTES

Used in DL63001-Y Series Housing.
 Accepts AWG #20~18 Wire Range.
 Material : Phosphor Bronze .
 Finish: Tin plated.
 Thickness: 0.25 mm.



| GENERAL TOLERANCES (UNLESS SPECIFIED) | | ZHE JIANG DELI CONNECTORS CO., LTD | |
|--|--------------|------------------------------------|-------------------------------------|
| .X: ± 0.25 | X°: ± 3.0° | PRODUCT NAME: | TITLE: 6.30 mm Pitch Crimp Terminal |
| .XX: ± 0.15 | .X°: ± 2.0° | DL63001 (42024)-T-D | |
| .XXX: ± 0.01 | .XX°: ± 1.0° | DR: Ni Sheng Le | DATE: 21/05/20 |
| FINISH: | | CHKD: Wu Hui | DATE: 21/05/20 |
| DRAWING NO: | | APPD: Ren An De | DATE: 21/05/20 |
| | | SCALE: N/A | PAGE: 1/1 |
| | | UNITS: mm | REV.: A |

| REV. | REVISION DESCRIPTION | DATE | APPD |
|------|----------------------|------|------|
| | | | |



NOTES

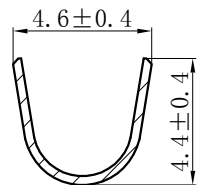
Used in DL63001-R Series Housing.

Accepts AWG #20~16 Wire Range.

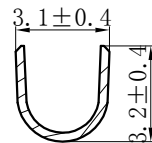
Material : Phosphor Bronze .

Finish: Tin plated.

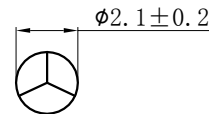
Thickness: 0.25 mm.



SECTION A-A



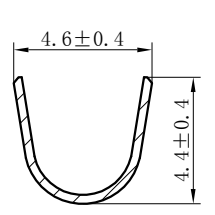
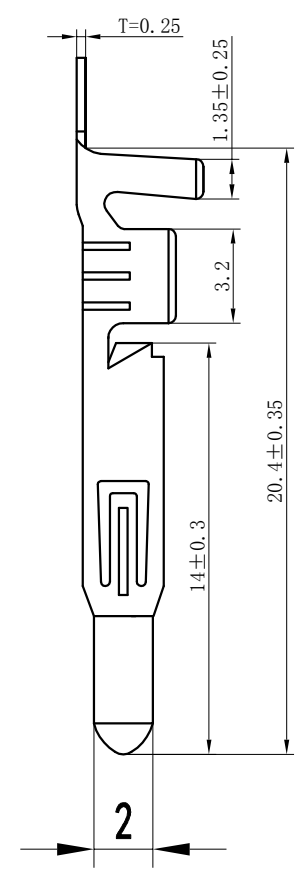
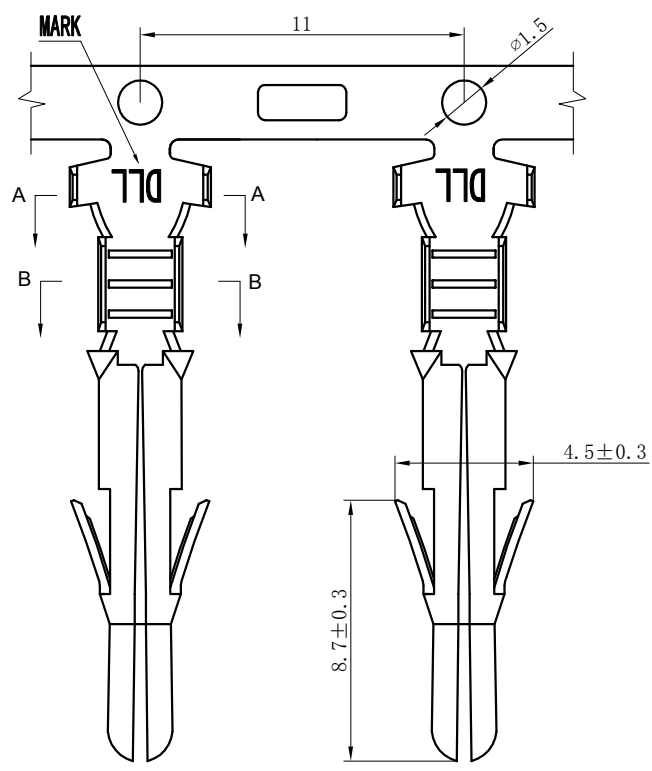
SECTION B-B



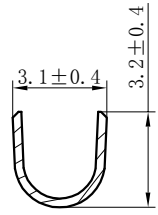
SECTION C-C

| GENERAL TOLERANCES (UNLESS SPECIFIED) | | ZHE JIANG DELI CONNECTORS CO., LTD | |
|--|-----------------------|--|--|
| .X: ± 0.25 | X°: $\pm 3.0^\circ$ | PRODUCT NAME: DL63001 (42023)-RT | TITLE: 6.3mm Pitch Wire To Wire Crimp Terminal |
| .XX: ± 0.15 | .X°: $\pm 2.0^\circ$ | DR: Yuan Jun Rong | DATE: 2021.5.20 |
| .XXX: ± 0.01 | .XX°: $\pm 1.0^\circ$ | CHKD: Wu Hui | DATE: 2021.5.20 |
| DRAWING NO: | | APPD: Ren An De | DATE: 2021.5.20 |
| | | SCALE: N/A | PAGE: 1/1 |
| | | UNITS: mm | REV.: A |

| REV. | REVISION DESCRIPTION | DATE | APPD |
|------|----------------------|------|------|
| | | | |



A-A



B-B

NOTES

Used in DL63001-R Series Housing.

Accepts AWG #20~16 Wire Range.

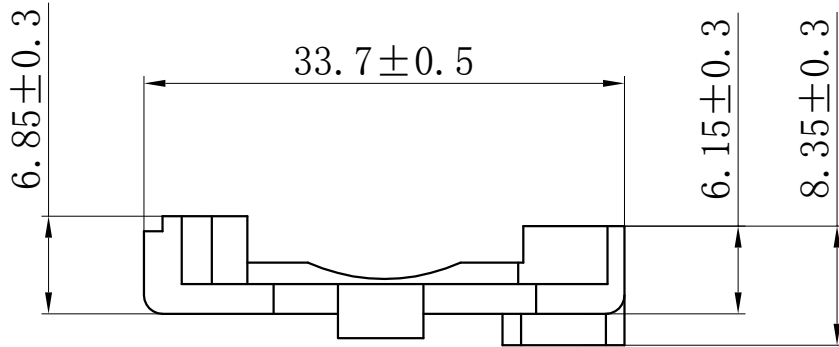
Material : Phosphor Bronze .

Finish: Tin plated.

Thickness: 0.25 mm.

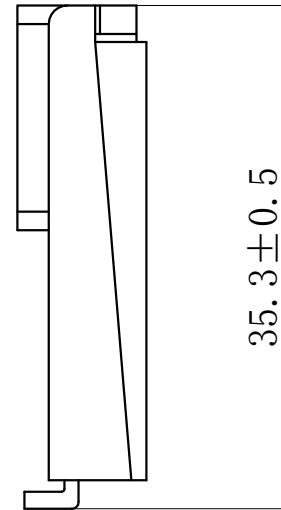
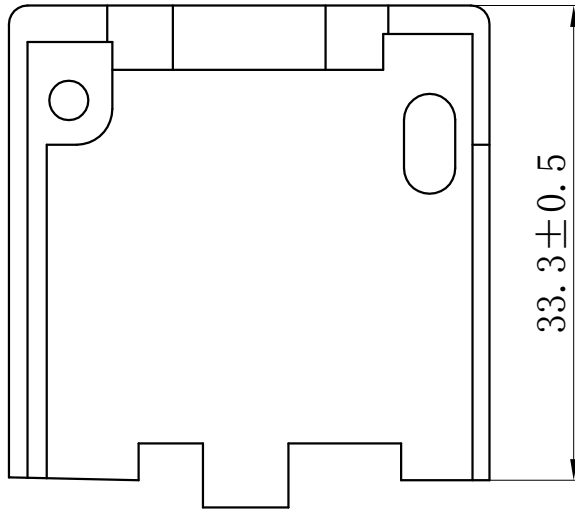
| GENERAL TOLERANCES (UNLESS SPECIFIED) | | ZHE JIANG DELI CONNECTORS CO., LTD | |
|---------------------------------------|------------------------|---|--|
| .X: ± 0.25 | X° : $\pm 3.0^\circ$ | PRODUCT NAME: DL63001 (42023)-RTS | TITLE: 6.3mm Pitch Wire To Wire Crimp Terminal |
| .XX: ± 0.15 | .X° : $\pm 2.0^\circ$ | DR: Yuan Jun Rong | DATE:2023.5.20 |
| .XXX: ± 0.01 | .XX° : $\pm 1.0^\circ$ | CHKD: Wu Hui | DATE:2023.5.20 |
| DRAWING NO: | | APPD:Ren An De | DATE:2023.5.20 |
| | | SCALE: N/A | PAGE: 1/1 |
| | | UNITS: mm | REV.: A |

| REV. | REVISION DESCRIPTION | DATE | APPD |
|------|----------------------|------|------|
| | | | |



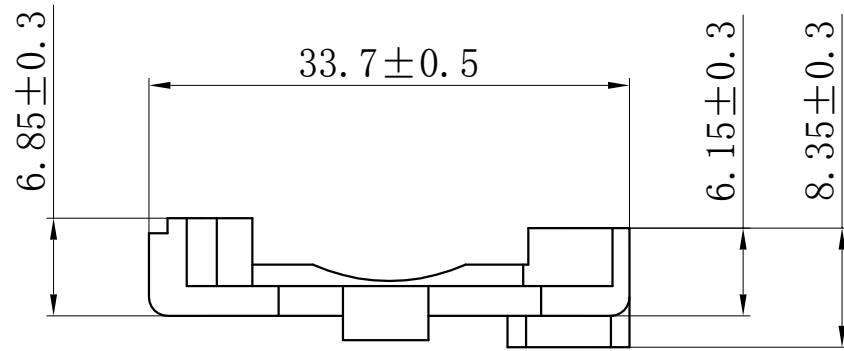
NOTES:

- 1、 Available in 04 Circuits.
- 2、 Mates with DL63001-R Series Housing.
- 3、 Materials:Nylon UL94V-0(2)
- 4、 Green Material Rohs Compliant



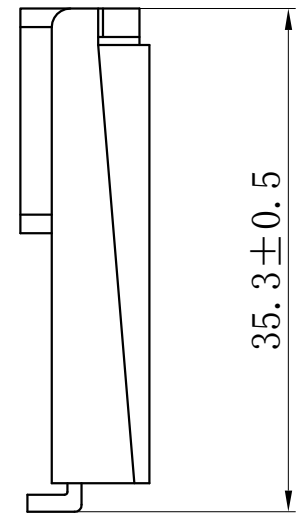
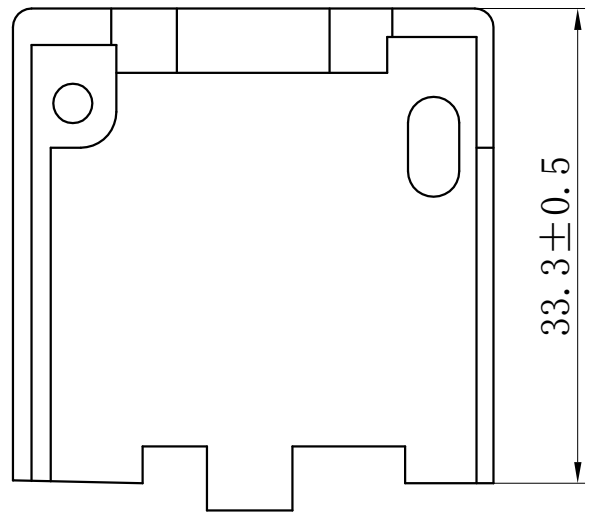
| | | | |
|--|---------------|------------------------------------|---|
| GENERAL TOLERANCES (UNLESS SPECIFIED) | | ZHE JIANG DELI CONNECTORS CO., LTD | |
| .X: ± 0.25 | X° : ± 3.0° | PRODUCT NAME: 42022-4G | TITLE: 6.3 mm Pitch Wire To Wire Housing |
| .XX: ± 0.15 | .X° : ± 2.0° | DR: Zhang Xiao Feng | DATE:21/05/20 |
| .XXX: ± 0.01 | .XX° : ± 1.0° | DATE:21/05/20 | PART NO: |
| FINISH: — | | CHKD: Liu bing | DATE:21/05/20 |
| DRAWING NO: | | APPD: Ren An De | DATE:21/05/20 |
| | | SCALE: N/A | PAGE: 1/1 |
| | | UNITS: mm | REV. : A |

| REV. | REVISION DESCRIPTION | DATE | APPD |
|------|----------------------|------|------|
| | | | |



NOTES:

- 1、 Available in 04 Circuits.
- 2、 Mates with DL63001-R Series Housing.
- 3、 Materials:Nylon UL94V-0
- 4、 Green Material Rohs Compliant

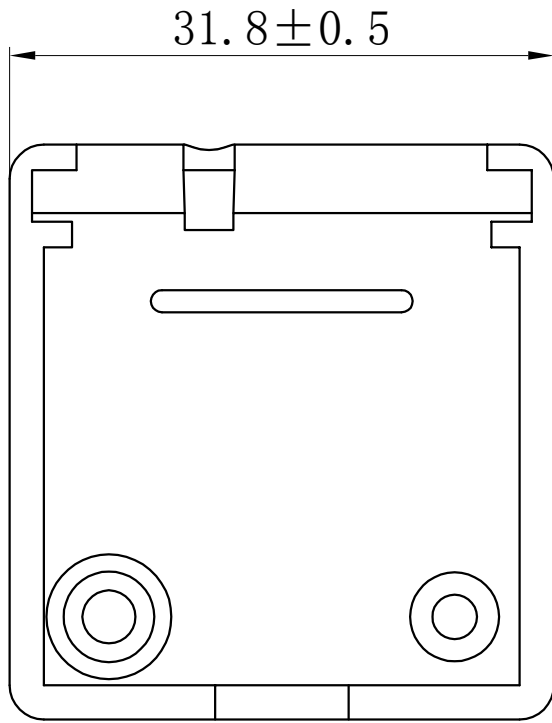


| | | | |
|--|-------------------------|-------------------------------------|---|
| GENERAL TOLERANCES (UNLESS SPECIFIED) | | ZHE JIANG DELI CONNECTORS CO., LTD | |
| . X: ± 0.25 | X° : $\pm 3.0^\circ$ | PRODUCT NAME: 42022-4G-V0 | TITLE: 6.3 mm Pitch Wire To Wire Housing |
| . XX: ± 0.15 | . X° : $\pm 2.0^\circ$ | DR: Zhang Xiao Feng | DATE:21/05/20 |
| . XXX: ± 0.01 | . XX° : $\pm 1.0^\circ$ | DATE:21/05/20 | PART NO: |
| FINISH: — | | CHKD: Liu bing | DATE:21/05/20 |
| DRAWING NO: | | APPD: Ren An De | DATE:21/05/20 |
| | | SCALE: N/A | PAGE: 1/1 |
| | | UNITS: mm | REV. : A |

| REV. | REVISION DESCRIPTION | DATE | APPD |
|------|----------------------|------|------|
| | | | |

NOTES:

- 1、 Available in 06 Circuits.
- 2、 Mates with DL63001-R Series Housing.
- 3、 Materials: Nylon UL94V-0(2)
- 4、 Green Material Rohs Compliant



| | | | |
|--|---------------|------------------------------------|---|
| GENERAL TOLERANCES (UNLESS SPECIFIED) | | ZHE JIANG DELI CONNECTORS CO., LTD | |
| .X: ± 0.25 | X° : ± 3.0° | PRODUCT NAME: 42022-6G | TITLE: 6.3 mm Pitch Wire To Wire Housing |
| .XX: ± 0.15 | .X° : ± 2.0° | DR: Zhang Xiao Feng | DATE: 21/05/20 |
| .XXX: ± 0.01 | .XX° : ± 1.0° | DATE: 21/05/20 | PART NO: |
| FINISH: _____ | | CHKD: Liu bing | DATE: 21/05/20 |
| DRAWING NO: | | APPD: Ren An De | DATE: 21/05/20 |
| | | SCALE: N/A | PAGE: 1/1 |
| | | UNITS: mm | REV.: A |

1 2 3 4 5 6 7 8

| REV. | REVISION DESCRIPTION | DATE | APPD |
|------|----------------------|------|------|
| | | | |

A

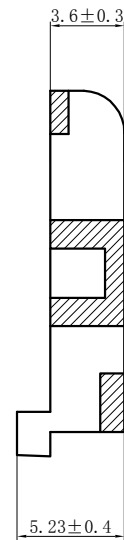
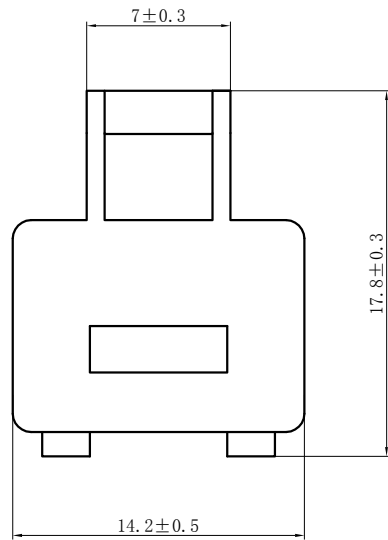
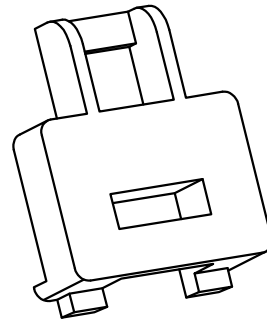
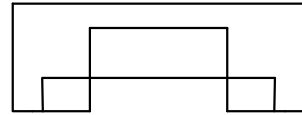
B

C

D

E

F



NOTES:

- 1、 Available in 04 Circuits.
- 2、 Mates with DL63001-R Series Housing.
- 3、 Materials:Nylon UL94V-0(2)
- 4、 Green Material Rohs Compliant

A

B

C

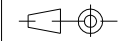
D

E

F

1 2 3 4 5 6 7 8

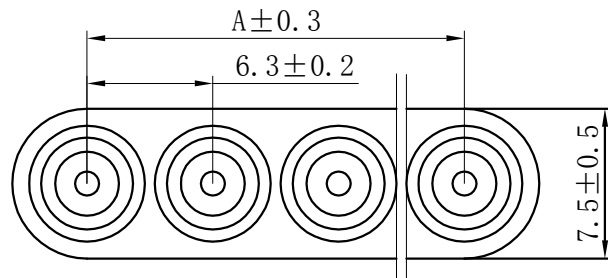
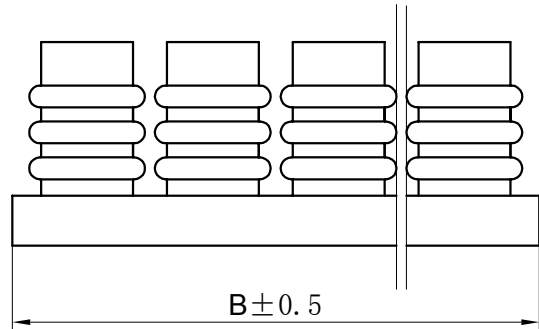
| | | | | | |
|--|----------------|------------------------------------|---------------|---|-----------|
| GENERAL TOLERANCES (UNLESS SPECIFIED) | | ZHE JIANG DELI CONNECTORS CO .,LTD | | | |
| . X: ± 0.25 | X° : ± 3.0° | PRODUCT NAME: 42022-4GS | | TITLE: 6.3 mm Pitch Wire To Wire Housing | |
| . XX: ± 0.15 | . X° : ± 2.0° | DR: Zhang Xiao Feng | DATE:21/05/20 | PART NO: | |
| . XXX: ± 0.01 | . XX° : ± 1.0° | CHKD: Liu bing | DATE:21/05/20 | SCALE: N/A | PAGE: 1/1 |
| DRAWING NO: | | APPD: Ren An De | DATE:21/05/20 | UNITS: mm | REV. : A |



| | | | |
|------|----------------------|------|------|
| REV. | REVISION DESCRIPTION | DATE | APPD |
| | | | |

NOTES

Mates with DL63001 Series Housing.
 Material : Silicon Rubber
 Green Material Rohs Compliant
 Colour: Blue



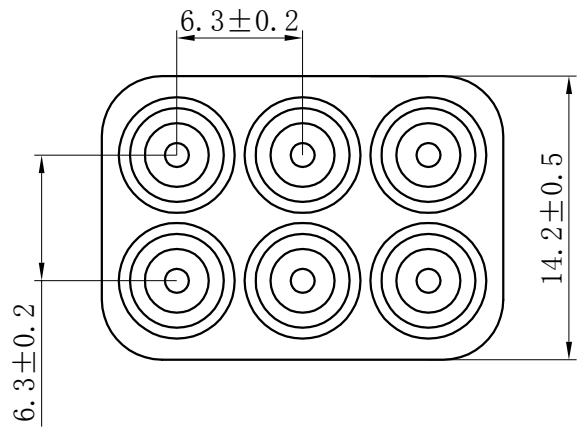
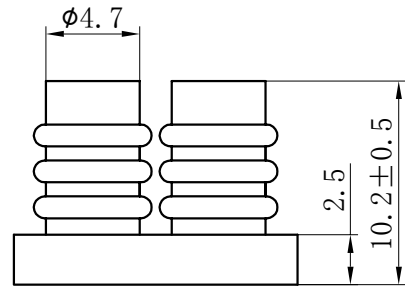
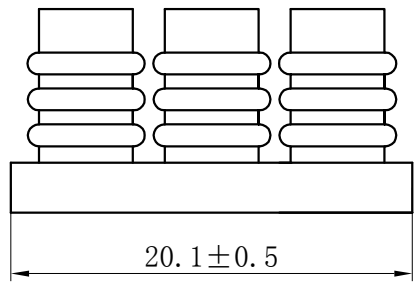
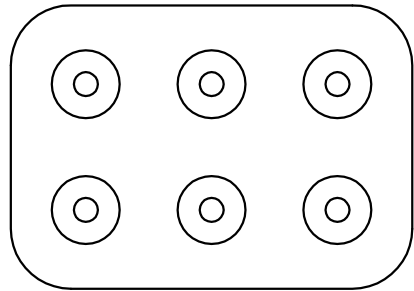
| Circuits | Type | Dimensions (mm) | |
|----------|-------------|-----------------|------|
| | | A | B |
| 1X2 | DL63001-2GF | 6.3 | 13.8 |
| 1X3 | DL63001-3GF | 12.6 | 20.1 |
| 1X4 | DL63001-4GF | 18.9 | 26.4 |

| | | | |
|--|---------------|------------------------------------|--|
| GENERAL TOLERANCES (UNLESS SPECIFIED) | | ZHE JIANG DELI CONNECTORS CO., LTD | |
| .X: ± 0.35 | X° : ± 3.0° | PRODUCT NAME: DL63001-GF | TITLE: 6.3 mm Pitch Wire To Wire Housing |
| .XX: ± 0.25 | .X° : ± 2.0° | DR: Zhang Xiao Feng | DATE:14/05/20 |
| .XXX: ± 0.01 | .XX° : ± 1.0° | CHKD: Liu bing | DATE:14/05/20 |
| FINISH: | | APPD: Ren An De | DATE:14/05/20 |
| DRAWING NO: | | SCALE: N/A | PAGE: 1/1 |
| | | UNITS: mm | REV. : A |

| REV. | REVISION DESCRIPTION | DATE | APPD |
|------|----------------------|------|------|
| | | | |

NOTES

Mates with DL63001 Series Housing.
 Material : Silicon Rubber
 Green Material Rohs Compliant
 Colour: Blue

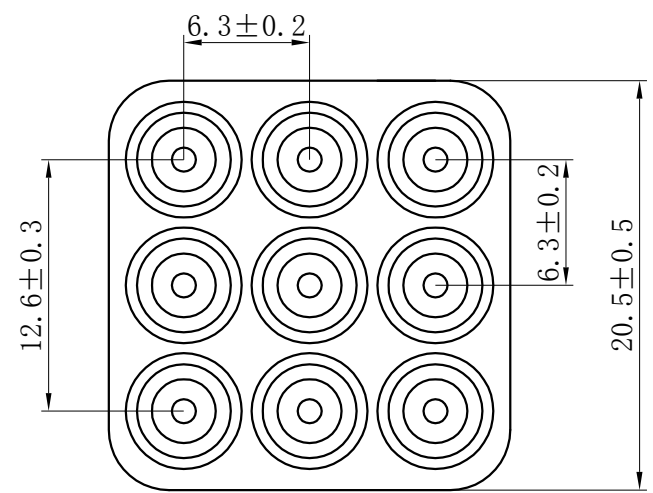
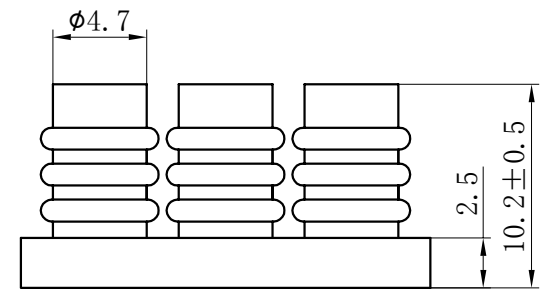
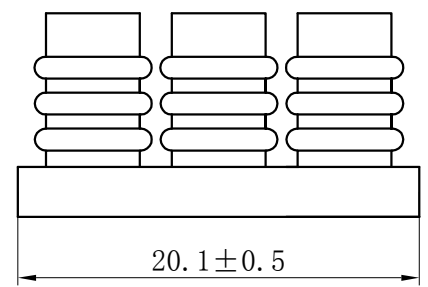
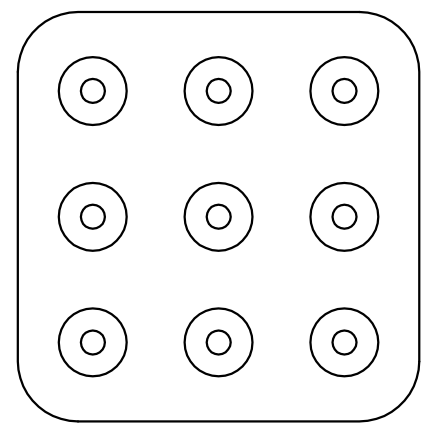


| | | | |
|--|----------------|-------------------------------------|--|
| GENERAL TOLERANCES (UNLESS SPECIFIED) | | ZHE JIANG DELI CONNECTORS CO., LTD | |
| . X: ± 0.35 | X° : ± 3.0° | PRODUCT NAME: DL63001-6GF | TITLE: 6.3 mm Pitch Wire To Wire Housing |
| . XX: ± 0.25 | . X° : ± 2.0° | DR: Zhang Xiao Feng | DATE:14/05/20 |
| . XXX: ± 0.01 | . XX° : ± 1.0° | DATE:14/05/20 | PART NO: |
| FINISH: | | CHKD: Liu bing | DATE:14/05/20 |
| DRAWING NO: | | APPD: Ren An De | DATE:14/05/20 |
| | | SCALE: N/A | PAGE: 1/1 |
| | | UNITS: mm | REV. : A |

| REV. | REVISION DESCRIPTION | DATE | APPD |
|------|----------------------|------|------|
| | | | |

NOTES

Mates with DL63001 Series Housing.
 Material : Silicon Rubber
 Green Material Rohs Compliant
 Colour: Blue

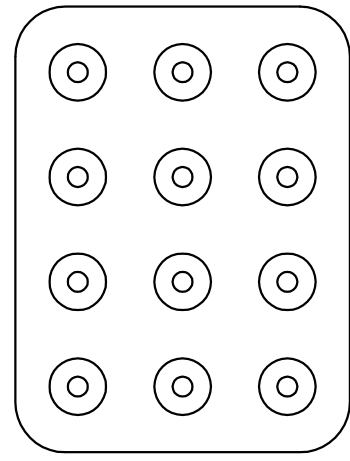


| | | | |
|--|----------------|-------------------------------------|---|
| GENERAL TOLERANCES (UNLESS SPECIFIED) | | ZHE JIANG DELI CONNECTORS CO., LTD | |
| . X: ± 0.35 | X° : ± 3.0° | PRODUCT NAME: DL63001-9GF | TITLE: 6.3 mm Pitch Wire To Wire Housing |
| . XX: ± 0.25 | . X° : ± 2.0° | DR: Zhang Xiao Feng | DATE:14/05/20 |
| . XXX: ± 0.01 | . XX° : ± 1.0° | DATE:14/05/20 | PART NO: |
| FINISH: | | CHKD: Liu bing | DATE:14/05/20 |
| DRAWING NO: | | APPD: Ren An De | DATE:14/05/20 |
| | | SCALE: N/A | PAGE: 1/1 |
| | | UNITS: mm | REV.: A |

| REV. | REVISION DESCRIPTION | DATE | APPD |
|------|----------------------|------|------|
| | | | |

NOTES

Mates with DL63001 Series Housing.
 Material : Silicon Rubber
 Green Material Rohs Compliant
 Colour: Blue



| | | | |
|--|--------------|--------------------------------------|--|
| GENERAL TOLERANCES (UNLESS SPECIFIED) | | ZHE JIANG DELI CONNECTORS CO., LTD | |
| .X: ± 0.35 | X°: ± 3.0° | PRODUCT NAME: DL63001-12GF | TITLE: 6.3 mm Pitch Wire To Wire Housing |
| .XX: ± 0.25 | .X°: ± 2.0° | DR: Zhang Xiao Feng | DATE: 14/05/20 |
| .XXX: ± 0.01 | .XX°: ± 1.0° | DATE: 14/05/20 | PART NO: |
| FINISH: | | CHKD: Liu bing | DATE: 14/05/20 |
| DRAWING NO: | | APPD: Ren An De | DATE: 14/05/20 |
| | | SCALE: N/A | PAGE: 1/1 |
| | | UNITS: mm | REV.: A |

| REV. | REVISION DESCRIPTION | DATE | APPD |
|------|----------------------|------|------|
| | | | |

NOTES

Mates with DL63001 Series Housing.
 Material : Silicon Rubber
 Green Material Rohs Compliant
 Colour: Blue

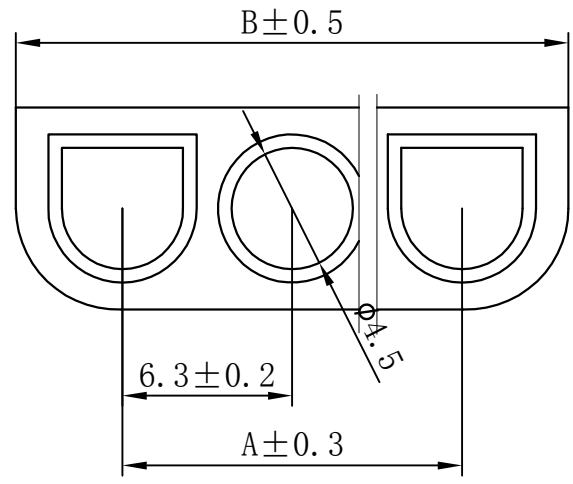


| | | | |
|--|----------------|--------------------------------------|--|
| GENERAL TOLERANCES (UNLESS SPECIFIED) | | ZHE JIANG DELI CONNECTORS CO., LTD | |
| . X: ± 0.35 | X° : ± 3.0° | PRODUCT NAME: DL63001-15GF | TITLE: 6.3 mm Pitch Wire To Wire Housing |
| . XX: ± 0.25 | . X° : ± 2.0° | DR: Zhang Xiao Feng | DATE:14/05/20 |
| . XXX: ± 0.01 | . XX° : ± 1.0° | DATE:14/05/20 | PART NO: |
| FINISH: | | CHKD: Liu bing | DATE:14/05/20 |
| DRAWING NO: | | APPD: Ren An De | DATE:14/05/20 |
| | | SCALE: N/A | PAGE: 1/1 |
| | | UNITS: mm | REV. : A |

| REV. | REVISION DESCRIPTION | DATE | APPD |
|------|----------------------|------|------|
| | | | |

NOTES

Mates with DL63001-Y Series Housing.
 Material : Silicon Rubber
 Green Material Rohs Compliant
 Colour: Blue



| Circuits | Type | Dimensions (mm) | |
|----------|-------------|-----------------|------|
| | | A | B |
| 1X2 | DL63001-2GM | 6.3 | 13.8 |
| 1X3 | DL63001-3GM | 12.6 | 20.1 |
| 1X4 | DL63001-4GM | 18.9 | 26.4 |

| | | | |
|--|---------------|------------------------------------|--|
| GENERAL TOLERANCES (UNLESS SPECIFIED) | | ZHE JIANG DELI CONNECTORS CO., LTD | |
| .X: ± 0.35 | X° : ± 3.0° | PRODUCT NAME: DL63001-GM | TITLE: 6.3 mm Pitch Wire To Wire Housing |
| .XX: ± 0.25 | .X° : ± 2.0° | DR: Zhang Xiao Feng | DATE:14/05/20 |
| .XXX: ± 0.01 | .XX° : ± 1.0° | DATE:14/05/20 | PART NO: |
| FINISH: | | CHKD: Liu bing | DATE:14/05/20 |
| DRAWING NO: | | APPD: Ren An De | DATE:14/05/20 |
| | | SCALE: N/A | PAGE: 1/1 |
| | | UNITS: mm | REV. : A |

| REV. | REVISION DESCRIPTION | DATE | APPD |
|------|----------------------|------|------|
| | | | |

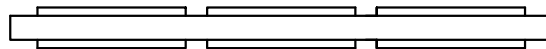
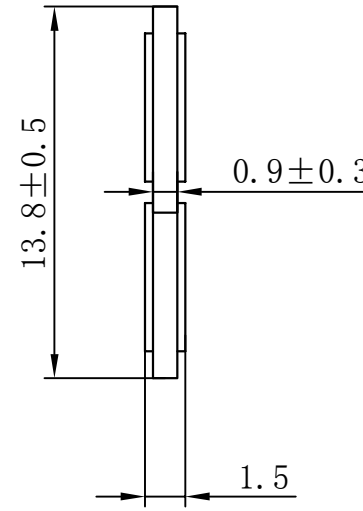
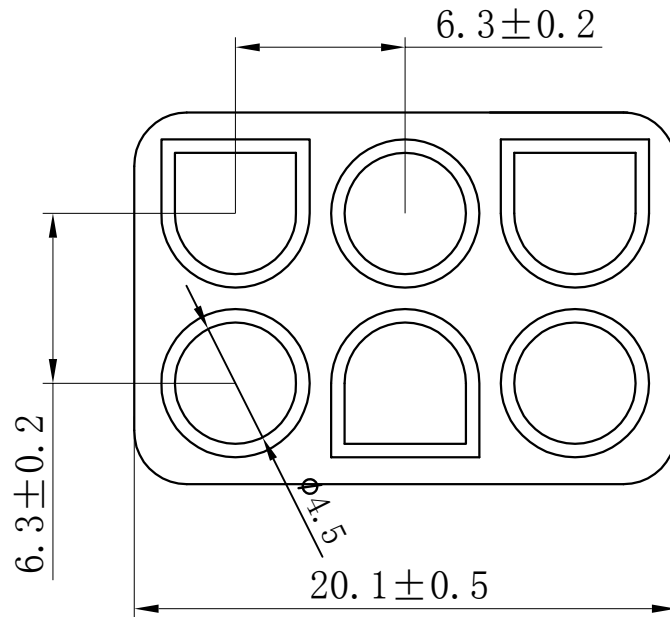
NOTES

Mates with DL63001-Y Series Housing.

Material : Silicon Rubber

Green Material Rohs Compliant

Colour: Blue

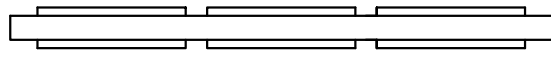


| | | | |
|--|----------------|-------------------------------------|--|
| GENERAL TOLERANCES (UNLESS SPECIFIED) | | ZHE JIANG DELI CONNECTORS CO., LTD | |
| . X: ± 0.35 | X° : ± 3.0° | PRODUCT NAME: DL63001-6GM | TITLE: 6.3 mm Pitch Wire To Wire Housing |
| . XX: ± 0.25 | . X° : ± 2.0° | DR: Zhang Xiao Feng | DATE:14/05/20 |
| . XXX: ± 0.01 | . XX° : ± 1.0° | DATE:14/05/20 | PART NO: |
| FINISH: | | CHKD: Liu bing | DATE:14/05/20 |
| DRAWING NO: | | APPD: Ren An De | DATE:14/05/20 |
| | | SCALE: N/A | PAGE: 1/1 |
| | | UNITS: mm | REV. : A |

| REV. | REVISION DESCRIPTION | DATE | APPD |
|------|----------------------|------|------|
| | | | |

NOTES

Mates with DL63001-Y Series Housing.
 Material : Silicon Rubber
 Green Material Rohs Compliant
 Colour: Blue

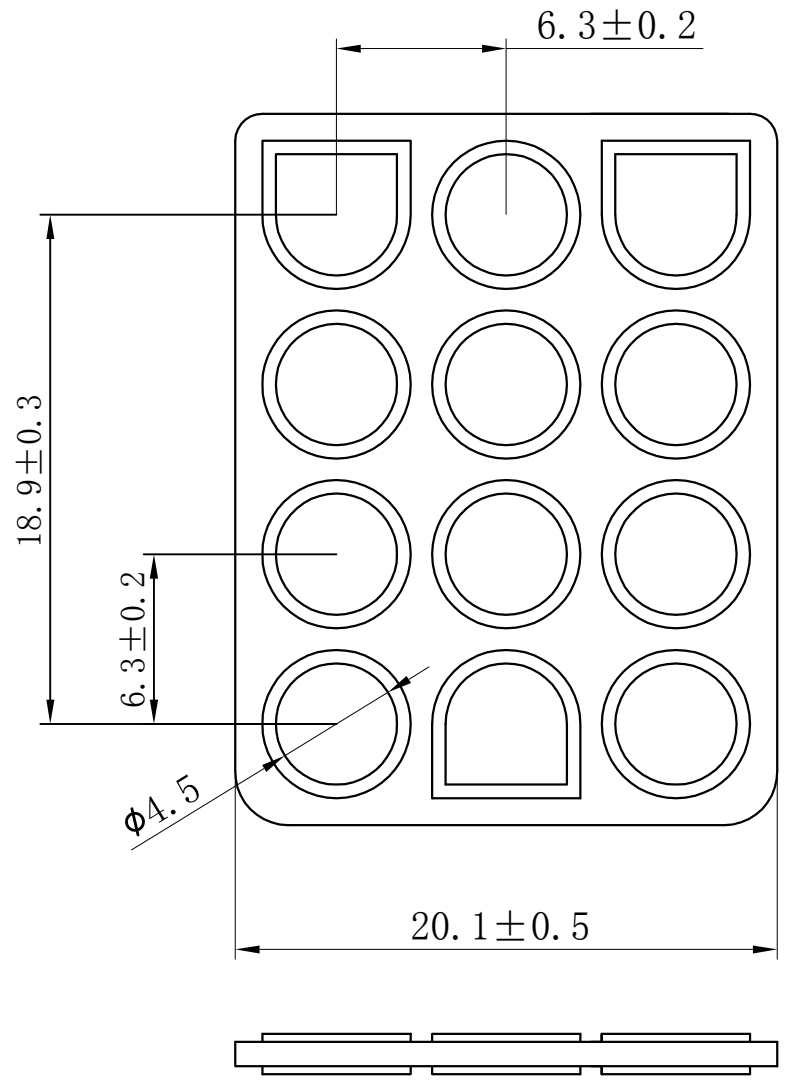


| | | | |
|--|----------------|-------------------------------------|--|
| GENERAL TOLERANCES (UNLESS SPECIFIED) | | ZHE JIANG DELI CONNECTORS CO., LTD | |
| . X: ± 0.35 | X° : ± 3.0° | PRODUCT NAME: DL63001-9GM | TITLE: 6.3 mm Pitch Wire To Wire Housing |
| . XX: ± 0.25 | . X° : ± 2.0° | DR: Zhang Xiao Feng | DATE:14/05/20 |
| . XXX: ± 0.01 | . XX° : ± 1.0° | DATE:14/05/20 | PART NO: |
| FINISH: _____ | | CHKD: Liu bing | DATE:14/05/20 |
| DRAWING NO: | _____ | APPD: Ren An De | DATE:14/05/20 |
| | | SCALE: N/A | PAGE: 1/1 |
| | | UNITS: mm | REV. : A |

| REV. | REVISION DESCRIPTION | DATE | APPD |
|------|----------------------|------|------|
| | | | |

NOTES

Mates with DL63001-Y Series Housing.
 Material : Silicon Rubber
 Green Material Rohs Compliant
 Colour: Blue



| | | | |
|--|------------------------|--------------------------------------|--|
| GENERAL TOLERANCES (UNLESS SPECIFIED) | | ZHE JIANG DELI CONNECTORS CO., LTD | |
| .X: ± 0.35 | X° : $\pm 3.0^\circ$ | PRODUCT NAME: DL63001-12GM | TITLE: 6.3 mm Pitch Wire To Wire Housing |
| .XX: ± 0.25 | .X° : $\pm 2.0^\circ$ | DR: Zhang Xiao Feng | DATE: 14/05/20 |
| .XXX: ± 0.01 | .XX° : $\pm 1.0^\circ$ | CHKD: Liu bing | DATE: 14/05/20 |
| FINISH: | | APPD: Ren An De | DATE: 14/05/20 |
| DRAWING NO: | | SCALE: N/A | PAGE: 1/1 |
| | | UNITS: mm | REV.: A |

| REV. | REVISION DESCRIPTION | DATE | APPD |
|------|----------------------|------|------|
| | | | |

NOTES

Mates with DL63001-Y Series Housing.
 Material : Silicon Rubber
 Green Material Rohs Compliant
 Colour: Blue



| | | | |
|--|---------------|--------------------------------------|--|
| GENERAL TOLERANCES (UNLESS SPECIFIED) | | ZHE JIANG DELI CONNECTORS CO., LTD | |
| .X: ± 0.35 | X° : ± 3.0° | PRODUCT NAME: DL63001-15GM | TITLE: 6.3 mm Pitch Wire To Wire Housing |
| .XX: ± 0.25 | .X° : ± 2.0° | DR: Zhang Xiao Feng | DATE:14/05/20 |
| .XXX: ± 0.01 | .XX° : ± 1.0° | DATE:14/05/20 | PART NO: |
| FINISH: _____ | | CHKD: Liu bing | DATE:14/05/20 |
| DRAWING NO: | _____ | APPD: Ren An De | DATE:14/05/20 |
| | | SCALE: N/A | PAGE: 1/1 |
| | | UNITS: mm | REV.: A |

X-ON Electronics

Largest Supplier of Electrical and Electronic Components

Click to view similar products for [Headers & Wire Housings](#) category:

Click to view products by [DLL](#) manufacturer:

Other Similar products are found below :

[0015917161](#) [0022155065](#) [57102-F02-18ULF](#) [58102-G61-06LF](#) [582553-1](#) [01.001.5753.1](#) [0050291907](#) [02.125.8002.8](#) [609-3404](#) [61062-3](#)
[CSU011177004](#) [622-0430](#) [622-3653LF](#) [63453-116](#) [636-1030](#) [636-1427](#) [636-3427](#) [636-4007](#) [641938-9](#) [65495-038](#) [65692-001LF](#) [65781-018](#)
[65781-047](#) [65817-010LF](#) [65817-015LF](#) [67095-007LF](#) [67601157](#) [68631-112](#) [68645-018](#) [699319-000](#) [70.362.1628.0](#) [70-4210](#) [70-4226B](#) [70-](#)
[4853B](#) [71.350.2428.0](#) [733-134](#) [733-162](#) [MHR-64-VUAL](#) [80.063.4001.1](#) [800-90-001-10-001000](#) [801-43-002-10-013000](#) [801-43-006-10-](#)
[002000](#) [803-43-024-10-001000](#) [803-93-012-10-001000](#) [8-1437020-4](#) [819-22-004-30-001101](#) [820-22-006-30-001101](#) [820-22-008-30-001101](#)
[821-22-002-10-001101](#) [821-22-003-10-002101](#)