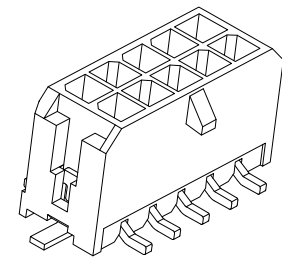
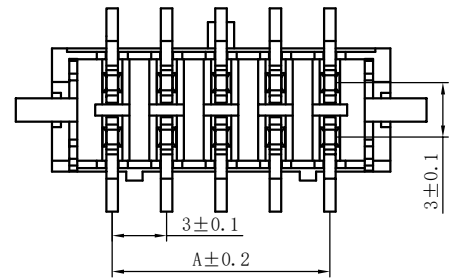




## 技术特性/Specifications:

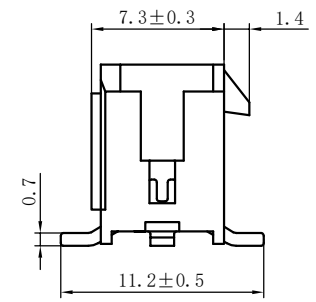
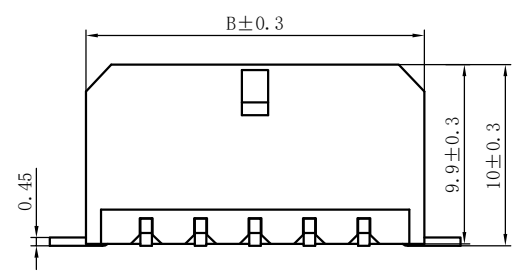
额定电压 Rated voltage: 250V AC, DC  
额定电流 Rated current: 3.5A AC, DC  
接触电阻 Contact resistance: 20m $\Omega$  max  
绝缘电阻 Insulation resistance: 1000M $\Omega$  min  
耐压 Withstand voltage: 1000V AC/minute  
环境温度 Ambient temperature: -40 $^{\circ}$ C~+105 $^{\circ}$ C  
适用线规 Wire range: AWG#32~#28

| REV. | REVISION DESCRIPTION | DATE | APPD |
|------|----------------------|------|------|
|      |                      |      |      |



### NOTES

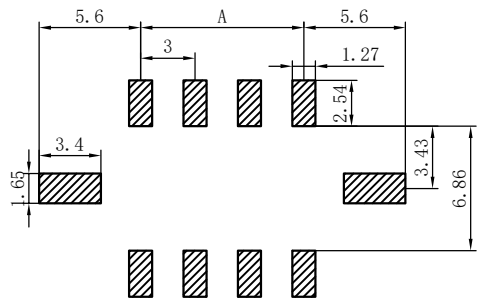
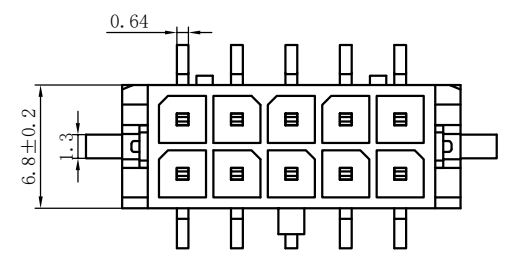
Available in 02 through 24 Circuits.  
 Mates with DL30001-Y Series Housing.  
 Material : LCP UL94V-0.  
 Pin Material : Brass.Tin-plated .



### ORDERING INFORMATION

DLXXXXX - XX X - X XX - X X - X - XX  
 1 2 3 4 5 6 7 8 9

- PART NO.
- .NO.OF CIRCUIT
- CONN. TYPE
- MATERIAL: 0: PA66 V0 1: PA66 V1 2: PA66 V2  
3: PA66 V0 750°C 4: LCP 5: PBT 6:PA9T
- COLOR: NA:NATURE WH:WHITE RE:RED BR:BROWN  
GY:GREY BK:BLACK YE:YELLOW  
BL:BLUE GR:GREEN PU:PURPLE PI:PINK  
OR:ORANGE TR:TRANSPARENT OT:OTHER
- CONTACT MATERIAL: P:PHOSPJOR BRONZE B:BRASS
- FINISH: T:TIN MT:MATT TIN BG/QG:GOLD S:SILVER
- STYLE: Z:WITHOUT K K:WITH K
- SERIAL NUMBER: 00.01.02.....



PCB LAYOUT

| Circuits | Dimension mm |       | Circuits | Dimension mm |       |
|----------|--------------|-------|----------|--------------|-------|
|          | A            | B     |          | A            | B     |
| 2        | --           | 6.60  | 14       | 18.00        | 24.60 |
| 4        | 3.00         | 9.60  | 16       | 21.00        | 27.60 |
| 6        | 6.00         | 12.60 | 18       | 24.00        | 30.60 |
| 8        | 9.00         | 15.60 | 20       | 27.00        | 33.60 |
| 10       | 12.00        | 18.60 | 22       | 30.00        | 36.60 |
| 12       | 15.00        | 21.60 | 24       | 33.00        | 39.60 |

| 3  | ③  | 底座  | LCP | 1  | UL94-V0 |
|----|----|-----|-----|----|---------|
| 2  | ②  | 焊片  | 黄铜  | 2  | 镀锡      |
| 1  | ①  | 接触件 | 黄铜  | N* | 镀锡      |
| 序号 | 图号 | 名称  | 材料  | 数量 | 附件      |

|  |               |                                       |               |   |           |
|--|---------------|---------------------------------------|---------------|---|-----------|
| GENERAL TOLERANCES (UNLESS SPECIFIED)  |               | ZHE JIANG DELI CONNECTORS CO.,LTD     |               |   |           |
| .X: ± 0.25                             | .X°: ± 3.0°   | PRODUCT NAME:<br>DL30003-AB(43045-AB) |               | TITLE:<br>3.0 mm Pitch<br>Wire To Board SMT Wafer |           |
| .XX: ± 0.15                            | .XX°: ± 2.0°  | DR:Chen Quan Long                     |               | DATE:20/07/27                                     |           |
| .XXX: ± 0.01                           | .XXX°: ± 1.0° | DATE:20/07/27                         |               | PART NO:<br>DL30003-XXB-XXX-XX-X-XX               |           |
| FINISH:                                |               | CHKD:Wu Hui                           | DATE:20/07/27 | SCALE: N/A  | PAGE: 1/1 |
| DRAWING NO:<br>DL30003-XXB-XXX-XX-X-XX |               | APPD:Ren An De                        | DATE:20/07/27 | UNITS: mm   | REV.: A   |

| REV. | REVISION DESCRIPTION | DATE | APPD |
|------|----------------------|------|------|
|      |                      |      |      |

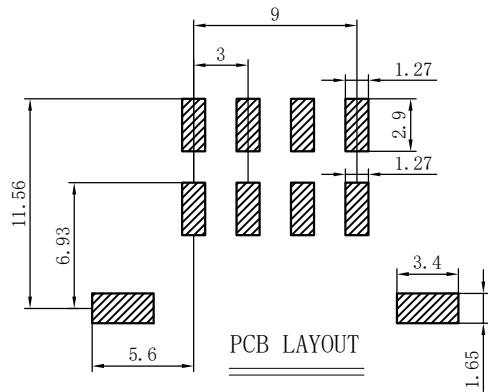
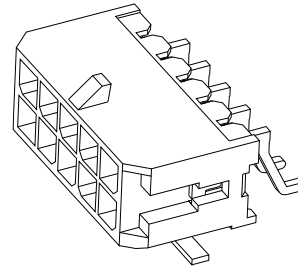
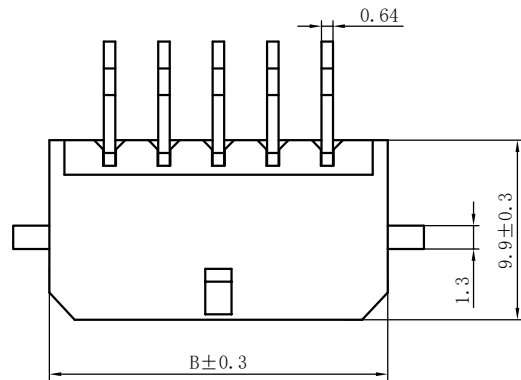
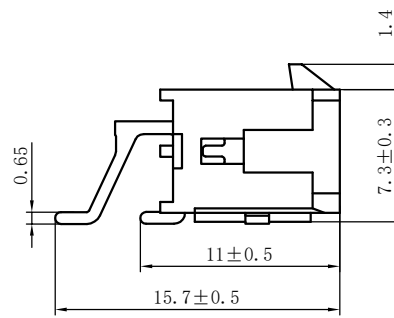
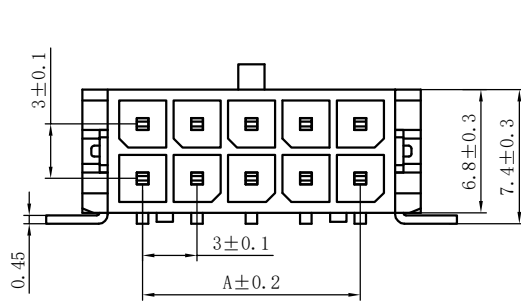
## NOTES

Available in 02 through 24 Circuits.  
Mates with DL30001-Y Series Housing.  
Material : LCP UL94V-0.  
Pin Material : Brass.Tin-plated .

### ORDERING INFORMATION

DLXXXX - XX X - X XX - X X - X - XX  
1 2 3 4 5 6 7 8 9

- PART NO.
- NO. OF CIRCUIT
- CONN. TYPE
- MATERIAL: 0: PA66 V0 1: PA66 V1 2: PA66 V2  
3: PA66 V0 750°C 4: LCP 5: PBT 6:PA9T
- COLOR: NA:NATURE WH:WHITE RE:RED BR:BROWN  
GY:GREY BK:BLACK YE:YELLOW  
BL:BLUE GR:GREEN PU:PURPLE PI:PINK  
OR:ORANGE TR:TRANSPARENT OT:OTHER
- CONTACT MATERIAL: P:PHOSPJOR BRONZE B:BRASS
- FINISH: T:TIN MT:MATT TIN BG/QG:GOLD S:SILVER
- STYLE: Z:WITHOUT K K:WITH K
- SERIAL NUMBER: 00.01.02.....

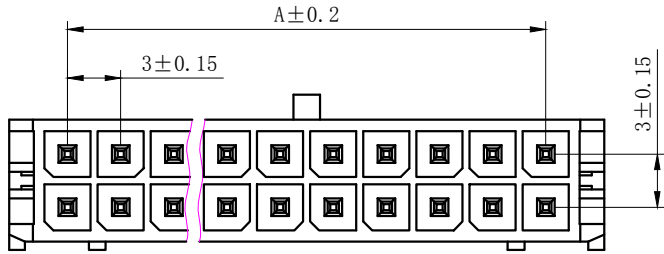
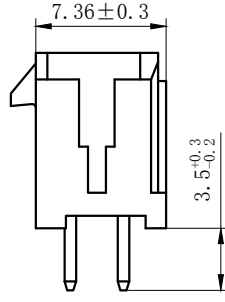
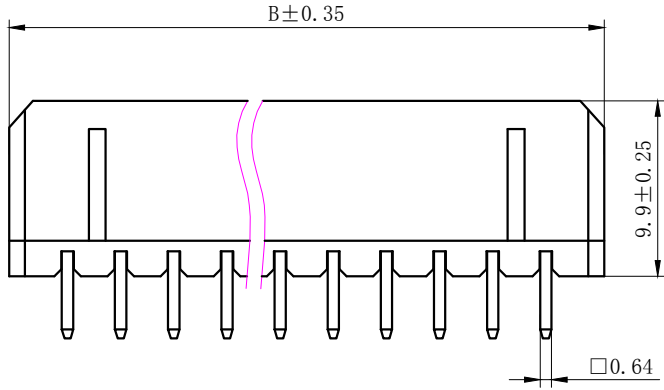


| Circuits | Dimension mm |       | Circuits | Dimension mm |       |
|----------|--------------|-------|----------|--------------|-------|
|          | A            | B     |          | A            | B     |
| 2        | --           | 6.60  | 14       | 18.00        | 24.60 |
| 4        | 3.00         | 9.60  | 16       | 21.00        | 27.60 |
| 6        | 6.00         | 12.60 | 18       | 24.00        | 30.60 |
| 8        | 9.00         | 15.60 | 20       | 27.00        | 33.60 |
| 10       | 12.00        | 18.60 | 22       | 30.00        | 36.60 |
| 12       | 15.00        | 21.60 | 24       | 33.00        | 39.60 |

| 3  | ③  | 底座  | LCP | 1  | UL94-V0 |
|----|----|-----|-----|----|---------|
| 2  | ②  | 焊片  | 黄铜  | 2  | 镀锡      |
| 1  | ①  | 接触件 | 黄铜  | N* | 镀锡      |
| 序号 | 图号 | 名称  | 材料  | 数量 | 附件      |

|   |              |  |  |   |  |
|---|--------------|--|--|---|--|
| GENERAL TOLERANCES (UNLESS SPECIFIED)   |              | ZHE JIANG DELI CONNECTORS CO.,LTD        |  |   |  |
| .X: ± 0.25                              | .X°: ± 3.0°  | PRODUCT NAME:<br>DL30003-AWB (43045-AWB) |  | TITLE:<br>3.0 mm Pitch<br>Wire To Board SMT Wafer |  |
| .XX: ± 0.15                             | .X°: ± 2.0°  | DR:Chen Quan Long                        |  | DATE:20/07/27                                     |  |
| .XXX: ± 0.01                            | .XX°: ± 1.0° | CHKD:Wu Hui                              |  | DATE:20/07/27                                     |  |
| FINISH:                                 |              | APPD:Ren An De                           |  | DATE:20/07/27                                     |  |
| DRAWING NO:<br>DL30003-XXWB-XXX-XX-X-XX |              | SCALE: N/A                               |  | PAGE: 1/1   |  |
|   |              | UNITS: mm                                |  | REV.: A   |  |

|      |                      |      |
|------|----------------------|------|
| REV. | REVISION DESCRIPTION | DATE |
|      |                      |      |



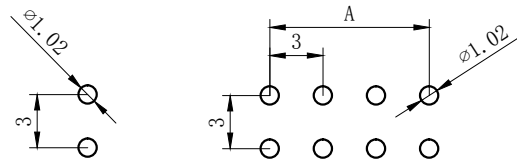
**NORES:**

1. Rated voltage: 250V AC.DC
2. Rated current: 3.5A AC DC
3. Contact resistance:  $\leq 20$  m $\Omega$
4. Insulation resistance:  $\geq 1000$  m $\Omega$
5. Withstand voltage: 1000V AC/minute
6. Ambient temprature:  $-40^{\circ}\text{C} \sim 105^{\circ}\text{C}$
7. Materials: Nylon UL94V-0 (2)
8. Matched RoHS criteria

**ORDERING INFORMATION**

DL 30003 - XX A - X XX - X X - X - XX  
 1 2 3 4 5 6 7 8 9

1. PART NO.
2. NO. OF CIRCUIT
3. CONN. TYPE
4. MATERIAL: 0:PA66 V0 1:PA66 V1 2:PA66 V2  
 3:PA66 V0 750 $^{\circ}\text{C}$  4:LCP 5:PBT  
 6:PA9T 7:9A6T 8:GF PA66
5. COLOR: NA:NATURE RE:RED BR:BROWN  
 GY:GREY BK:BLACK YE:YELLOW  
 BL:BLUE GR:GREEN PU:PURPLE PI:PINK  
 OR:ORANGE TR:TRANSPARENT OT:OTHER
6. CONTACT MATERIAL: P:PHOSPHOR BRONZE B:BRASS
7. FINISH: T:TIN MT:MATT TIN BG/QG:GOLD S:SILVER
8. STYLE: Z:WITHOUT K K:WITH K
9. SERIAL NUMBER: 00.01.02.....



PCB LAYOUT

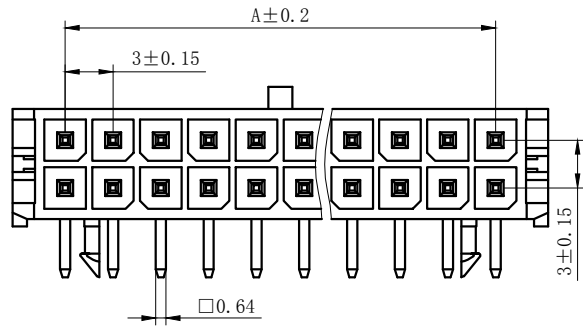
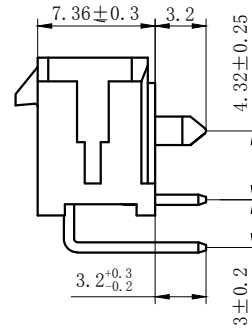
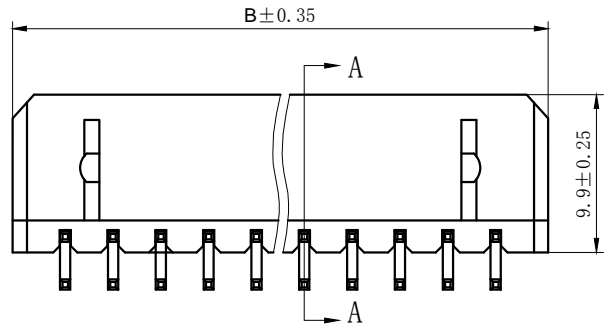
| Circuits | Dimension mm |      | Circuits | Dimension mm |      |
|----------|--------------|------|----------|--------------|------|
|          | A            | B    |          | A            | B    |
| 2X1      | 0            | 6.6  | 2X7      | 18.0         | 24.6 |
| 2X2      | 3.0          | 9.6  | 2X8      | 21.0         | 27.6 |
| 2X3      | 6.0          | 12.6 | 2X9      | 24.0         | 30.6 |
| 2X4      | 9.0          | 15.6 | 2X10     | 27.0         | 33.6 |
| 2X5      | 12.0         | 18.6 | 2X11     | 30.0         | 36.6 |
| 2X6      | 15.0         | 21.6 | 2X12     | 33.0         | 39.6 |

|  |                                    |                                     |   |
|--|------------------------------------|-------------------------------------|---|
| GENERAL TOLERANCES (UNLESS SPECIFIED)  |                                    | ZHE JIANG DELI CONNECTORS CO.,LTD   |   |
| .X: $\pm 0.25$                         | .X $^{\circ}$ : $\pm 3.0^{\circ}$  | PRODUCT NAME:<br>DL30003-A(43045-A) | TITLE:<br>3.0 mm Pitch<br>Wire To Board Wafer |
| .XX: $\pm 0.15$                        | .X $^{\circ}$ : $\pm 2.0^{\circ}$  | DR:Chen Quan Long                   | DATE:20/04/03                                 |
| .XXX: $\pm 0.01$                       | .XX $^{\circ}$ : $\pm 1.0^{\circ}$ | CHKD: Wu Hui                        | DATE:20/04/03                                 |
| FINISH:                                |                                    | APPD:Ren An De                      | DATE:20/04/03                                 |
| DRAWING NO: GC-DL30003-XXA-XXX-XX-X-XX |                                    | PART NO:<br>DL30003-XXA-XXX-XX-X-XX |   |
|  |                                    | SCALE: N/A                          | PAGE: 1/1                                     |
|  |                                    | UNITS: mm                           | REV.: B                                       |

|      |                      |      |
|------|----------------------|------|
| REV. | REVISION DESCRIPTION | DATE |
|      |                      |      |

### NOTES:

1. Rated voltage: 250V AC.DC
2. Rated current: 3.5A AC.DC
3. Contact resistance :  $\leq 20m\Omega$
4. Insulation resistance :  $\geq 1000M\Omega$
5. Withstand voltage : 1000V AC/minute
6. Ambient temperature :  $-40^{\circ}C \sim 105^{\circ}C$
7. Materials : Nylon UL94V-0(2)
8. Green Material RoHS Compliant

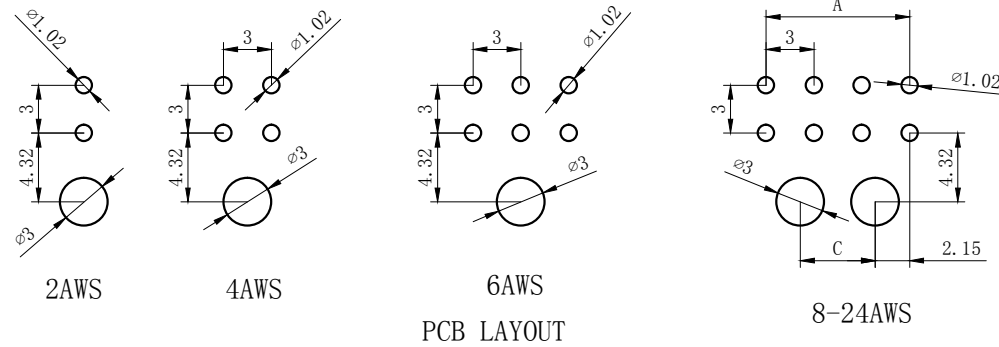


### ORDERING INFORMATION

DL 30003 - XX WS - X XX - X X - X - XX  
 1 2 3 4 5 6 7 8 9

1. PART NO.
2. . NO. OF CIRCUIT
3. CONN. TYPE
4. MATERIAL: 0: PA66 V0 1: PA66 V1 2: PA66 V2  
3: PA66 V0 750°C 4: LCP 5: PBT 6: PA9T
5. COLOR: NA:NATURE RE:RED BR:BROWN  
GY:GREY BK:BLACK YE:YELLOW  
BL:BLUE GR:GREEN PU:PURPLE PI:PINK  
OR:ORANGE TR:TRANSPARENT OT:OTHER
6. CONTACT MATERIAL: P:PHOSPHOR BRONZE B:BRASS
7. FINISH: T:TIN MT:MATT TIN BG/QG:GOLD S:SILVER
8. STYLE: Z:WITHOUT K K:WITH K
9. SERIAL NUMBER: 00.01.02.....

| Circuits | Dimension mm |      |      |
|----------|--------------|------|------|
|          | A            | B    | C    |
| 2X1      | 0            | 6.6  | 0    |
| 2X2      | 3.0          | 9.6  | 0    |
| 2X3      | 6.0          | 12.6 | 0    |
| 2X4      | 9.0          | 15.6 | 4.7  |
| 2X5      | 12.0         | 18.6 | 7.7  |
| 2X6      | 15.0         | 21.6 | 10.7 |
| 2X7      | 18.0         | 24.6 | 13.7 |
| 2X8      | 21.0         | 27.6 | 16.7 |
| 2X9      | 24.0         | 30.6 | 19.7 |
| 2X10     | 27.0         | 33.6 | 22.7 |
| 2X11     | 30.0         | 36.6 | 25.7 |
| 2X12     | 33.0         | 39.6 | 28.7 |

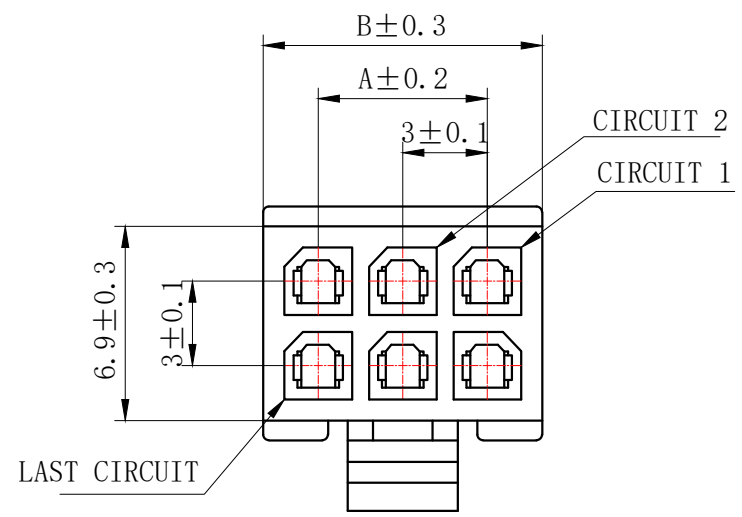
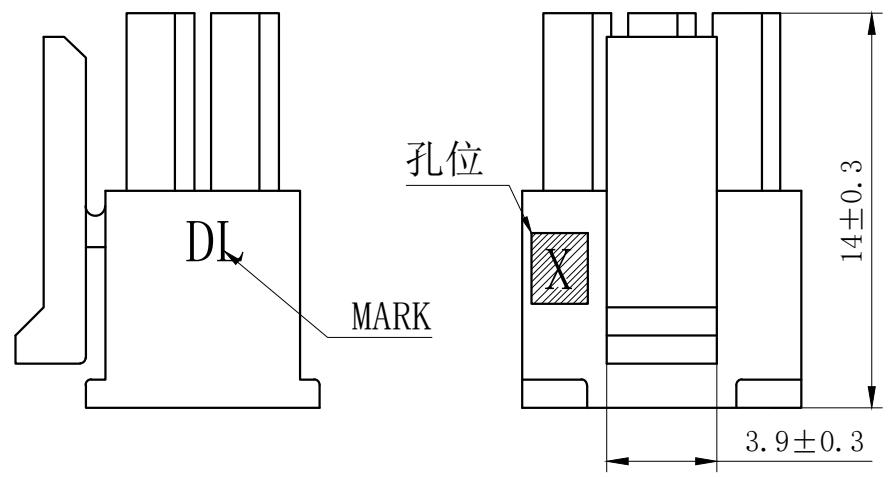


|  |              |   |   |
|--|--------------|---|---|
| GENERAL TOLERANCES<br>(UNLESS SPECIFIED)   |              | ZHE JIANG DELI CONNECTORS CO., LTD      |   |
| .X: ± 0.25                                 | X°: ± 3.0°   | PRODUCT NAME:<br>DL30003-AWS(43045-AWS) | TITLE:<br>3.0 mm Pitch<br>Wire To Board Wafer |
| .XX: ± 0.15                                | .X°: ± 2.0°  | DR:Chen Quan Long                       | DATE:20/04/03                                 |
| .XXX: ± 0.01                               | .XX°: ± 1.0° | CHKD: Wu Hui                            | DATE:20/04/03                                 |
| FINISH:                                    |              | APPD:Ren An De                          | DATE:20/04/03                                 |
| DRAWING NO:<br>GC-DL30003-XXWS-XXX-XX-X-XX |              | PART NO:<br>DL30003-XXWS-XXX-XX-X-XX    |   |
|  |              | SCALE: N/A                              | PAGE: 1/1                                     |
|  |              | UNITS: mm                               | REV.: B                                       |

|      |                      |      |      |
|------|----------------------|------|------|
| REV. | REVISION DESCRIPTION | DATE | APPD |
|      |                      |      |      |

### NOTES

Available in 02 through 24 Circuits.  
 Mates with DL30001/DL30003 series housing.  
 Material : Nylon UL94V-0(2).  
 Accepts DL30001-T Crimp Terminal.



#### ORDERING INFORMATION

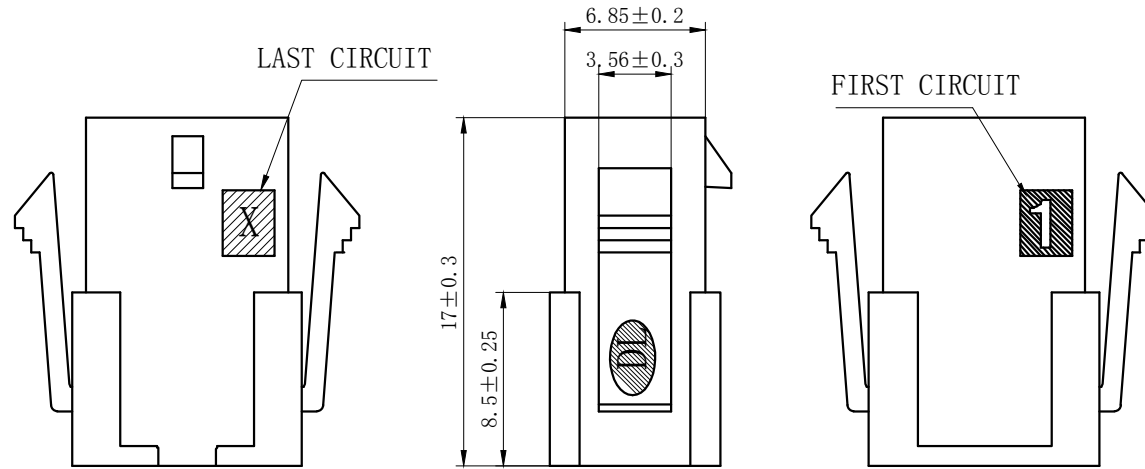
DL XXXX - XX X - X XX - XX  
 1 2 3 4 5 6

- PART NO.
- .NO. OF CIRCUIT
- CONN. TYPE
- MATERIAL: 0:PA66 V0 1:PA66 V1 2:PA66 V2  
 3:PA66 V0 750°C 4:LCP 5:PBT  
 6:PA9T 7:9A6T 8:GF PA66
- COLOR: NA:NATURE WH:WHITE RE:RED BR:BROWN  
 GY:GREY BK:BLACK YE:YELLOW  
 BL:BLUE GR:GREEN PU:PURPLE PI:PINK  
 OR:ORANGE TR:TRANSPARENT OT:OTHER
- SERIAL NUMBER: 00.01.02.....

| Circuits | TYPE      | Dimension mm |       |
|----------|-----------|--------------|-------|
|          |           | A            | B     |
| 2X1      | 43025-2Y  | -            | 3.90  |
| 2X2      | 43025-4Y  | 3.00         | 6.90  |
| 2X3      | 43025-6Y  | 6.00         | 9.90  |
| 2X4      | 43025-8Y  | 9.00         | 12.90 |
| 2X5      | 43025-10Y | 12.00        | 15.90 |
| 2X6      | 43025-12Y | 15.00        | 18.90 |
| 2X7      | 43025-14Y | 18.00        | 21.90 |
| 2X8      | 43025-16Y | 21.00        | 24.90 |
| 2X9      | 43025-18Y | 24.00        | 27.90 |
| 2X10     | 43025-20Y | 27.00        | 30.90 |
| 2X11     | 43025-22Y | 30.00        | 33.90 |
| 2X12     | 43025-24Y | 33.00        | 36.90 |

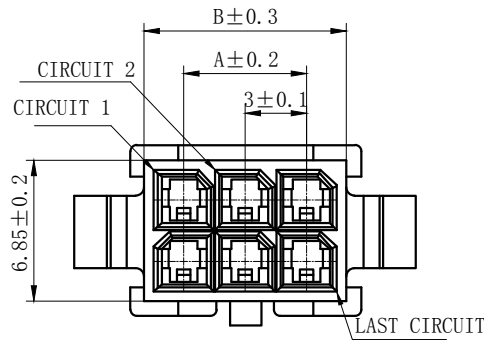
|                                       |              |                                     |                               |
|---------------------------------------|--------------|-------------------------------------|-------------------------------|
| GENERAL TOLERANCES (UNLESS SPECIFIED) |              | ZHE JIANG DELI CONNECTORS CO., LTD  |                               |
| .X: ± 0.25                            | X°: ± 3.0°   | PRODUCT NAME:<br>DL30001-Y(43025-Y) | TITLE:<br>3.0mm Pitch Housing |
| .XX: ± 0.15                           | .X°: ± 2.0°  | DR:Chen Quan Long                   | DATE:20/08/01                 |
| .XXX: ± 0.01                          | .XX°: ± 1.0° | CHKD: Wu Hui                        | DATE:20/08/01                 |
| FINISH: _____                         |              | APPD:Ren An De                      | DATE:20/08/01                 |
| DRAWING NO:<br>GC-DL30001-XXY-XXX-XX  |              |                                     |                               |

| REV. | REVISION DESCRIPTION | DATE | APPD |
|------|----------------------|------|------|
|      |                      |      |      |



### NOTES

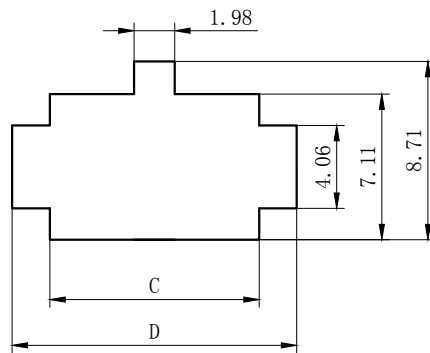
Available in 02 through 24 Circuits.  
 Mates with DL30001-Y Series Housing.  
 Material : Nylon UL94V-0 (2) .  
 Accepts DL30001-RT Crimp Terminal.



### ORDERING INFORMATION

DL XXXXX - XX X - X XX - XX  
 1 2 3 4 5 6

- PART NO.
- NO. OF CIRCUIT
- CONN. TYPE
- MATERIAL: 0:PA66 V0 1:PA66 V1 2:PA66 V2  
 3:PA66 V0 750°C 4:LCP 5:PBT  
 6:PA9T 7:PA6T 8:GF PA66
- COLOR: NA:NATURE WH:WHITE RE:RED BR:BROWN  
 GY:GREY BK:BLACK YE:YELLOW  
 BL:BLUE GR:GREEN PU:PURPLE PI:PINK  
 OR:ORANGE TR:TRANSPARENT OT:OTHER
- SERIAL NUMBER: 00.01.02.....

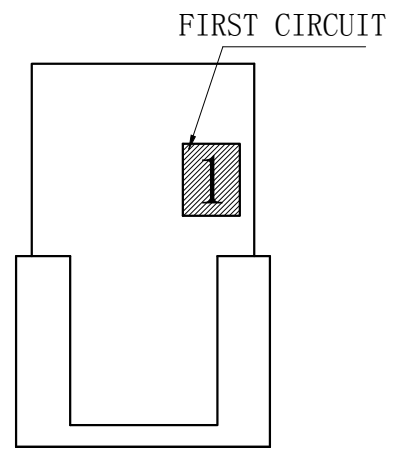
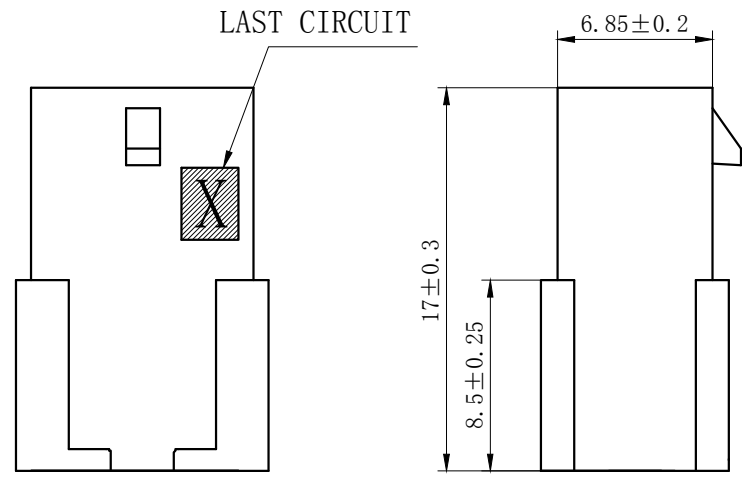


安装尺寸

| Circuits | TYPE      | Dimension mm |       |       |       |
|----------|-----------|--------------|-------|-------|-------|
|          |           | A            | B     | C     | D     |
| 2X1      | 43020-2R  | -            | 3.90  | 4.21  | 7.90  |
| 2X2      | 43020-4R  | 3.00         | 6.90  | 7.21  | 10.90 |
| 2X3      | 43020-6R  | 6.00         | 9.90  | 10.21 | 13.90 |
| 2X4      | 43020-8R  | 9.00         | 12.90 | 13.21 | 16.90 |
| 2X5      | 43020-10R | 12.00        | 15.90 | 16.21 | 19.90 |
| 2X6      | 43020-12R | 15.00        | 18.90 | 19.21 | 22.90 |
| 2X7      | 43020-14R | 18.00        | 21.90 | 22.21 | 25.90 |
| 2X8      | 43020-16R | 21.00        | 24.90 | 25.21 | 28.90 |
| 2X9      | 43020-18R | 24.00        | 27.90 | 28.21 | 31.90 |
| 2X10     | 43020-20R | 27.00        | 30.90 | 31.21 | 34.90 |
| 2X11     | 43020-22R | 30.00        | 33.90 | 34.21 | 37.90 |
| 2X12     | 43020-24R | 33.00        | 36.90 | 37.21 | 40.90 |

| GENERAL TOLERANCES (UNLESS SPECIFIED) |              | ZHE JIANG DELI CONNECTORS CO., LTD   |  |
|---------------------------------------|--------------|--------------------------------------|--|
| .X: ± 0.25                            | X°: ± 3.0°   | PRODUCT NAME:<br>DL30001-R (43020-R) | TITLE:<br>3.0mm Pitch<br>Wire To Wire Plug Housing |
| .XX: ± 0.15                           | .X°: ± 2.0°  | DR:Chen Quan Long                    | DATE:20/08/01                                      |
| .XXX: ± 0.01                          | .XX°: ± 1.0° | DATE:20/08/01                        | PART NO:<br>DL30001-XXR-XXX-XX                     |
| FINISH: _____                         |              | CHKD: Wu Hui                         | DATE:20/08/01                                      |
| DRAWING NO: QC-DL30001-XXR-XXX-XX     |              | APPD:Ren An De                       | DATE:20/08/01                                      |
|                                       |              | SCALE: N/A                           | PAGE: 1/2  |
|                                       |              | UNITS: mm                            | REV.: A  |

| REV. | REVISION DESCRIPTION | DATE | APPD |
|------|----------------------|------|------|
|      |                      |      |      |



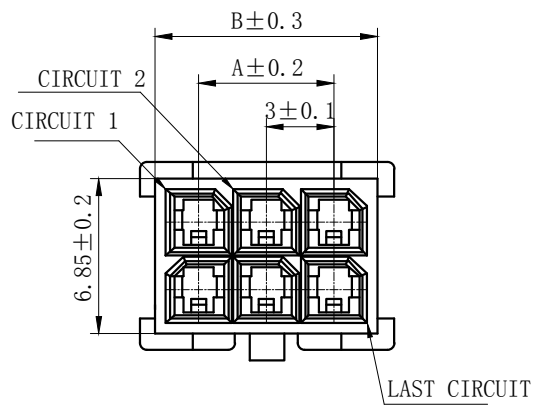
**NOTES**

Available in 02 through 24 Circuits.  
Mates with DL30001-Y Series Housing.  
Material : Nylon UL94V-0 (2) .  
Accepts DL30001-RT Crimp Terminal.

**ORDERING INFORMATION**

DL 30001 - XX RF - X XX - XX  
1 2 3 4 5 6

- PART NO.
- .NO. OF CIRCUIT
- CONN. TYPE
- MATERIAL: 0:PA66 V0 1:PA66 V1 2:PA66 V2  
3:PA66 V0 750°C 4:LCP 5:PBT  
6:PA9T 7:9A6T 8:GF PA66
- COLOR: NA:NATURE WH:WHITE RE:RED BR:BROWN  
GY:GREY BK:BLACK YE:YELLOW  
BL:BLUE GR:GREEN PU:PURPLE PI:PINK  
OR:ORANGE TR:TRANSPARENT OT:OTHER
- SERIAL NUMBER: 00.01.02.....

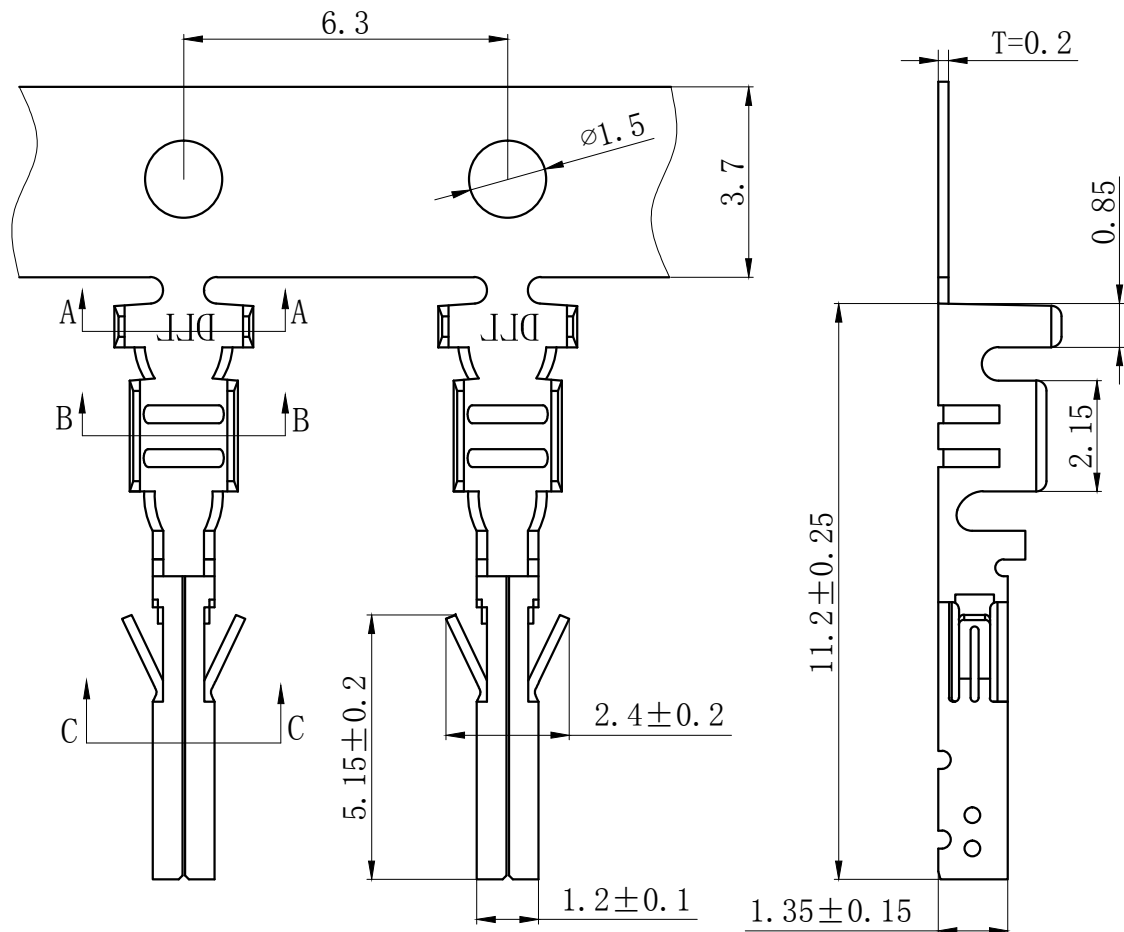


| Circuits | TYPE       | Dimension mm |       |
|----------|------------|--------------|-------|
|          |            | A            | B     |
| 2X1      | 43020-2RF  | -            | 3.90  |
| 2X2      | 43020-4RF  | 3.00         | 6.90  |
| 2X3      | 43020-6RF  | 6.00         | 9.90  |
| 2X4      | 43020-8RF  | 9.00         | 12.90 |
| 2X5      | 43020-10RF | 12.00        | 15.90 |
| 2X6      | 43020-12RF | 15.00        | 18.90 |
| 2X7      | 43020-14RF | 18.00        | 21.90 |
| 2X8      | 43020-16RF | 21.00        | 24.90 |
| 2X9      | 43020-18RF | 24.00        | 27.90 |
| 2X10     | 43020-20RF | 27.00        | 30.90 |
| 2X11     | 43020-22R  | 30.00        | 33.90 |
| 2X12     | 43020-24R  | 33.00        | 36.90 |

| GENERAL TOLERANCES (UNLESS SPECIFIED) |              | ZHE JIANG DELI CONNECTORS CO., LTD   |  |
|---------------------------------------|--------------|--------------------------------------|--|
| .X: ± 0.25                            | X°: ± 3.0°   | PRODUCT NAME:<br>DL30001-R(43020-RF) | TITLE:<br>3.0mm Pitch<br>Wire To Wire Plug Housing |
| .XX: ± 0.15                           | .X°: ± 2.0°  | DR:Yuan Jun Rong                     | DATE:20/08/01                                      |
| .XXX: ± 0.01                          | .XX°: ± 1.0° | CHKD: Wu Hui                         | DATE:20/08/01                                      |
| DRAWING NO: QC-DL30001-XXRF-XXX-XX    |              | APPD:Ren An De                       | DATE:20/08/01                                      |
|                                       |              | SCALE: N/A                           | PAGE: 1/2  |
|                                       |              | UNITS: mm                            | REV.: A  |



| REV. | REVISION DESCRIPTION | DATE | APPD |
|------|----------------------|------|------|
|      |                      |      |      |



### NOTES

Used in DL30001-Y Series Housing.  
 Accepts AWG #28~20 Wire Range.  
 Material : Phosphor Bronze .  
 Finish: Tin plated.  
 Qty/Reel: 10000 PCS.  
 Thickness: 0.2 mm.  
 Green Material RoHS Compliant.

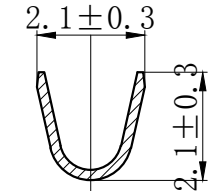
### ORDERING INFORMATION

DL XXXXX - XX - X - X - X - XX  
 1 2 3 4 5 6

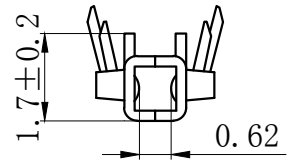
- PART NO.
- TERMINAL CODE
- MATERIAL TYPE: 1: PHOSPHOR BRONZE 2: BRASS 3: IRON  
4: STAINLESS STEEL 5: OTHER
- TECHNICS: 0: UNPLATED 1: FIRST PLATING 2: POST PLATING  
3: OTHER
- FINISH: 1: TIN-PLATED 2: MATTE PLATED 3: NICKEL PLATED  
4: PICKLING 5: SILVER PLATED 6: GOLD PLATED  
7: GALVANIZED 8: OTHER
- SERIAL NUMBER: 00.01.02.....



SECTION A-A



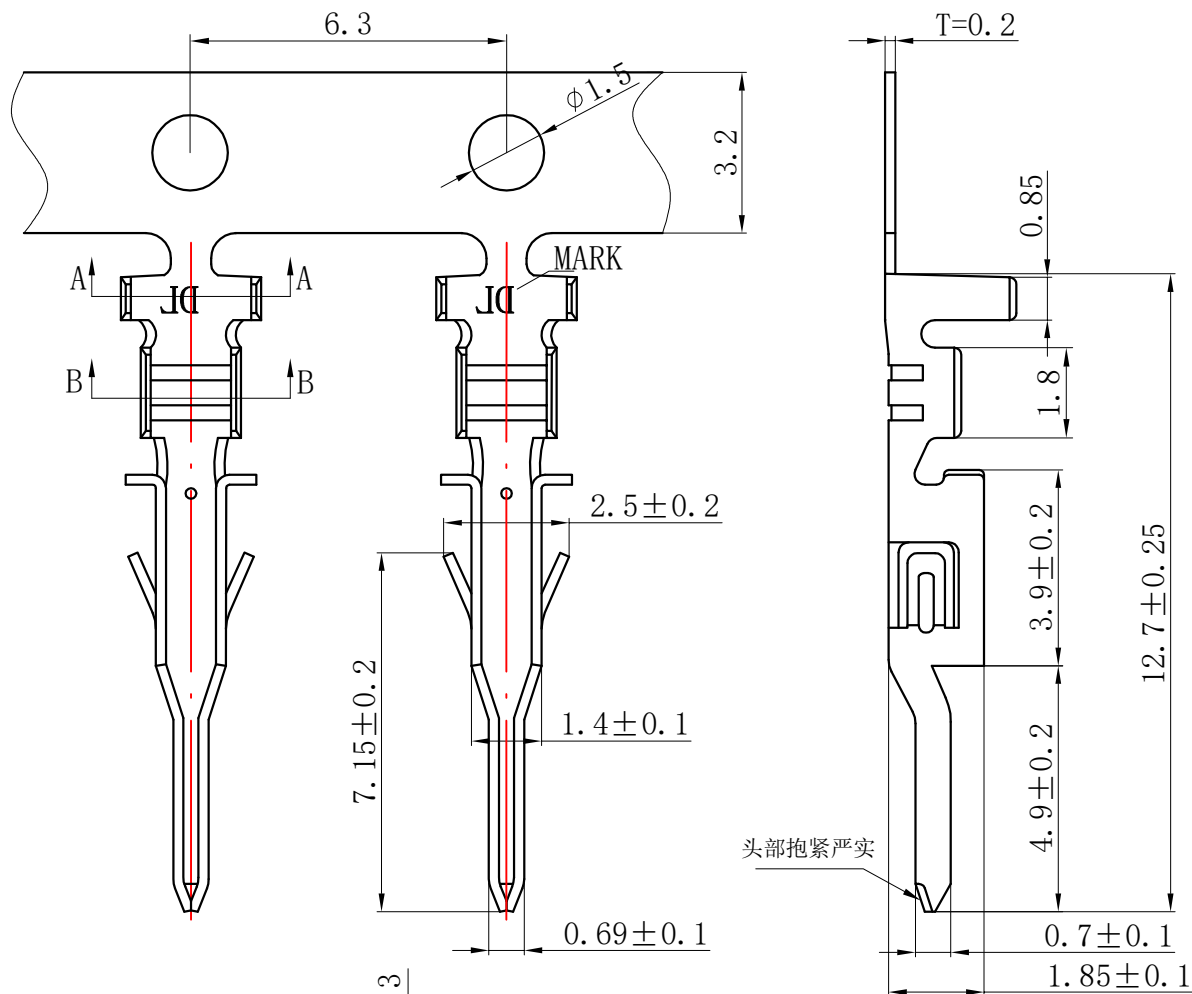
SECTION B-B



SECTION C-C

|  |              |                                     |   |
|--|--------------|-------------------------------------|---|
| GENERAL TOLERANCES<br>(UNLESS SPECIFIED) |              | ZHE JIANG DELI CONNECTORS CO., LTD  |   |
| .X: ± 0.25                               | .X°: ± 3.0°  | PRODUCT NAME:<br>DL30001-T(43030-T) | TITLE:<br>3.0mm Pitch<br>Wire To Board Crimp Terminal |
| .XX: ± 0.15                              | .X°: ± 2.0°  | DR: Chen Quan Long                  | DATE: 20.03.11  |
| .XXX: ± 0.01                             | .XX°: ± 1.0° | CHKD: Wu Hui                        | DATE: 20.03.11  |
| DRAWING NO: GC-DL30001-T-X-X-X-XX        |              | APPD: Ren An De                     | DATE: 20.03.11  |
| FINISH:                                  |              | SCALE: N/A                          | PAGE: 1/1   |
| PART NO:<br>DL30001-T-X-X-X-XX           |              | UNITS: mm                           | REV.: A   |

| REV. | REVISION DESCRIPTION | DATE | APPD |
|------|----------------------|------|------|
|      |                      |      |      |



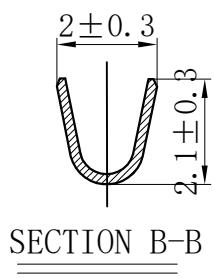
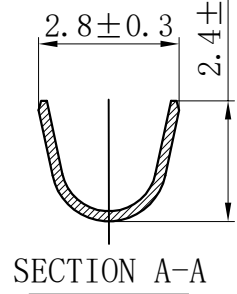
**NOTES**

Used in DL30001-R Series Housing.  
 Accepts AWG #28~20 Wire Range.  
 Material : Phosphor Bronze .  
 Finish: Tin plated.  
 Qty/Reel: 10000 PCS.  
 Thickness: 0.2 mm.  
 Green Material RoHS Compliant.

**ORDERING INFORMATION**

DL XXXXX - XX - X - X - X - XX  
 1 2 3 4 5 6

- PART NO.
- TERMINAL CODE
- MATERIAL TYPE: 1: PHOSPHOR BRONZE 2: BRASS 3: IRON  
4: STAINLESS STEEL 5: OTHER
- TECHNICS: 0: UNPLATED 1: FIRST PLATING 2: POST PLATING  
3: OTHER
- FINISH: 1: TIN-PLATED 2: MATTE PLATED 3: NICKEL PLATED  
4: PICKLING 5: SILVER PLATED 6: GOLD PLATED  
7: GALVANIZED 8: OTHER
- SERIAL NUMBER: 00.01.02....



| GENERAL TOLERANCES (UNLESS SPECIFIED) |                       | ZHE JIANG DELI CONNECTORS CO., LTD     |  |
|---------------------------------------|-----------------------|--|--|
| .X: $\pm 0.25$                        | X°: $\pm 3.0^\circ$   | PRODUCT NAME:<br>DL30001-RT (43031-RT) | TITLE:<br>3.0mm Pitch<br>Wire To Wire Crimp Terminal |
| .XX: $\pm 0.15$                       | .X°: $\pm 2.0^\circ$  | DR: Chen Quan Long                     | DATE: 20.03.11                                       |
| .XXX: $\pm 0.01$                      | .XX°: $\pm 1.0^\circ$ | CHKD: Wu Hui                           | DATE: 20.03.11                                       |
| FINISH:                               |                       | APPD: Ren An De                        | DATE: 20.03.11                                       |
| DRAWING NO: GC-DL30001-RT-X-X-X-XX    |                       | SCALE: N/A                             | PAGE: 1/1  |
|                                       |                       | UNITS: mm                              | REV.: A  |

## X-ON Electronics

Largest Supplier of Electrical and Electronic Components

*Click to view similar products for [Headers & Wire Housings](#) category:*

*Click to view products by [DLL](#) manufacturer:*

Other Similar products are found below :

[0015917161](#) [0022155065](#) [57102-F02-18ULF](#) [58102-G61-06LF](#) [582553-1](#) [01.001.5753.1](#) [0050291907](#) [02.125.8002.8](#) [609-3404](#) [61062-3](#)  
[CSU011177004](#) [622-0430](#) [622-3653LF](#) [63453-116](#) [636-1030](#) [636-1427](#) [636-3427](#) [636-4007](#) [641938-9](#) [65495-038](#) [65692-001LF](#) [65781-018](#)  
[65781-047](#) [65817-010LF](#) [65817-015LF](#) [67095-007LF](#) [67601157](#) [68631-112](#) [68645-018](#) [699319-000](#) [70.362.1628.0](#) [70-4210](#) [70-4226B](#) [70-](#)  
[4853B](#) [71.350.2428.0](#) [733-134](#) [733-162](#) [760-3052](#) [MHR-64-VUAL](#) [80.063.4001.1](#) [800-90-001-10-001000](#) [801-43-002-10-013000](#)  
[801-43-006-10-002000](#) [803-43-024-10-001000](#) [803-93-012-10-001000](#) [8-1437020-4](#) [819-22-004-30-001101](#) [820-22-006-30-001101](#)  
[820-22-008-30-001101](#) [821-22-002-10-001101](#)