

技术特性/Specifications:

额定电压 Rated voltage: 250V AC, DC
额定电流 Rated current: 3.5A AC, DC
接触电阻 Contact resistance: 20m Ω max
绝缘电阻 Insulation resistance: 1000M Ω min
耐压 Withstand voltage: 1000V AC/minute
环境温度 Ambient temperature: -40 $^{\circ}$ C~+105 $^{\circ}$ C
适用线规 Wire range: AWG#32~#28

| REV. | REVISION DESCRIPTION | DATE | APPD |
|------|----------------------|------|------|
| | | | |

NOTES

Available in 02 through 24 Circuits.
Mates with DL30001-Y Series Housing.
Material : LCP UL94V-0.
Pin Material : Brass.Tin-plated .

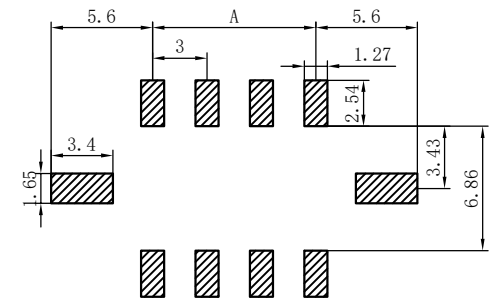
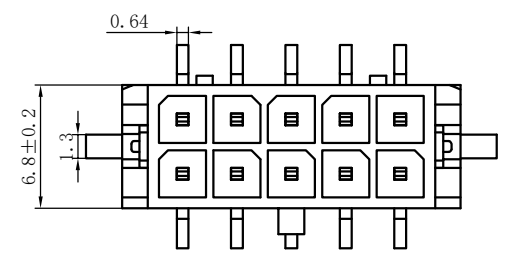
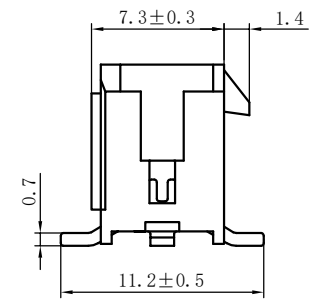
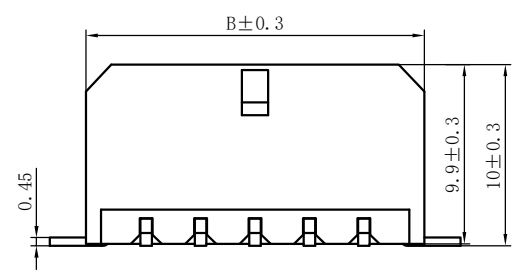
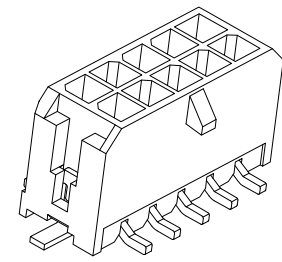
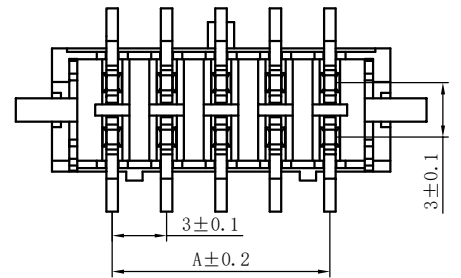
ORDERING INFORMATION

DLXXXXX - XX X - X XX - X X - X - XX
1 2 3 4 5 6 7 8 9

- PART NO.
- .NO.OF CIRCUIT
- CONN. TYPE
- MATERIAL: 0: PA66 V0 1: PA66 V1 2: PA66 V2
3: PA66 V0 750°C 4: LCP 5: PBT 6:PA9T
- COLOR: NA:NATURE WH:WHITE RE:RED BR:BROWN
GY:GREY BK:BLACK YE:YELLOW
BL:BLUE GR:GREEN PU:PURPLE PI:PINK
OR:ORANGE TR:TRANSPARENT OT:OTHER
- CONTACT MATERIAL: P:PHOSPJOR BRONZE B:BRASS
- FINISH: T:TIN MT:MATT TIN BG/QG:GOLD S:SILVER
- STYLE: Z:WITHOUT K K:WITH K
- SERIAL NUMBER: 00.01.02.....

| | | | | | |
|----|----|-----|-----|----|---------|
| 3 | ③ | 底座 | LCP | 1 | UL94-V0 |
| 2 | ② | 焊片 | 黄铜 | 2 | 镀锡 |
| 1 | ① | 接触件 | 黄铜 | N* | 镀锡 |
| 序号 | 图号 | 名称 | 材料 | 数量 | 附件 |

| | | | | | |
|--|---------------|---------------------------------------|---------------|---|-----------|
| GENERAL TOLERANCES (UNLESS SPECIFIED) | | ZHE JIANG DELI CONNECTORS CO.,LTD | | | |
| .X: ± 0.25 | .X°: ± 3.0° | PRODUCT NAME: DL30003-AB(43045-AB) | | TITLE: 3.0 mm Pitch Wire To Board SMT Wafer | |
| .XX: ± 0.15 | .XX°: ± 2.0° | DR:Chen Quan Long | DATE:20/07/27 | PART NO: DL30003-XXB-XXX-XX-X-XX | |
| .XXX: ± 0.01 | .XXX°: ± 1.0° | CHKD:Wu Hui | DATE:20/07/27 | SCALE: N/A | PAGE: 1/1 |
| FINISH: | | APPD:Ren An De | DATE:20/07/27 | UNITS: mm | REV.: A |
| DRAWING NO: DL30003-XXB-XXX-XX-X-XX | | | | | |



PCB LAYOUT

| Circuits | Dimension mm | | Circuits | Dimension mm | |
|----------|--------------|-------|----------|--------------|-------|
| | A | B | | A | B |
| 2 | -- | 6.60 | 14 | 18.00 | 24.60 |
| 4 | 3.00 | 9.60 | 16 | 21.00 | 27.60 |
| 6 | 6.00 | 12.60 | 18 | 24.00 | 30.60 |
| 8 | 9.00 | 15.60 | 20 | 27.00 | 33.60 |
| 10 | 12.00 | 18.60 | 22 | 30.00 | 36.60 |
| 12 | 15.00 | 21.60 | 24 | 33.00 | 39.60 |

| REV. | REVISION DESCRIPTION | DATE | APPD |
|------|----------------------|------|------|
| | | | |

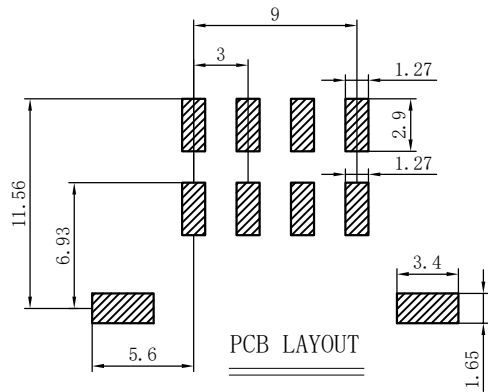
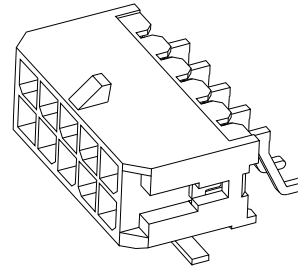
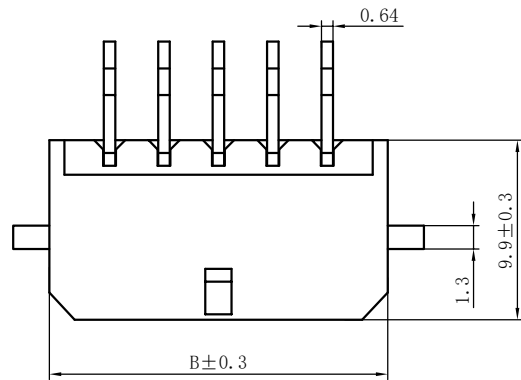
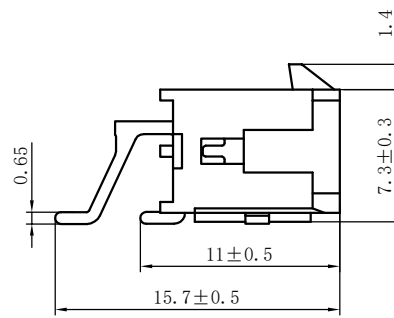
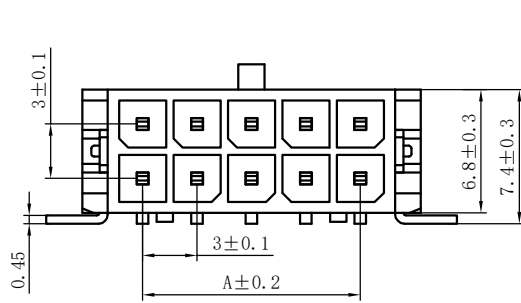
NOTES

Available in 02 through 24 Circuits.
 Mates with DL30001-Y Series Housing.
 Material : LCP UL94V-0.
 Pin Material : Brass.Tin-plated .

ORDERING INFORMATION

DLXXXXX - XX X - X XX - X X - X - XX
 1 2 3 4 5 6 7 8 9

- PART NO.
- NO. OF CIRCUIT
- CONN. TYPE
- MATERIAL: 0: PA66 V0 1: PA66 V1 2: PA66 V2
3: PA66 V0 750°C 4: LCP 5: PBT 6:PA9T
- COLOR: NA:NATURE WH:WHITE RE:RED BR:BROWN
GY:GREY BK:BLACK YE:YELLOW
BL:BLUE GR:GREEN PU:PURPLE PI:PINK
OR:ORANGE TR:TRANSPARENT OT:OTHER
- CONTACT MATERIAL: P:PHOSPJOR BRONZE B:BRASS
- FINISH: T:TIN MT:MATT TIN BG/QG:GOLD S:SILVER
- STYLE: Z:WITHOUT K K:WITH K
- SERIAL NUMBER: 00.01.02.....

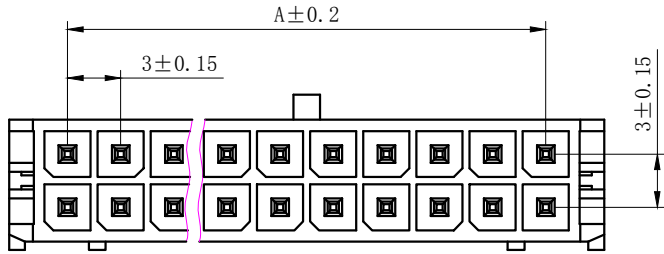
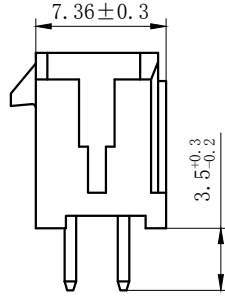
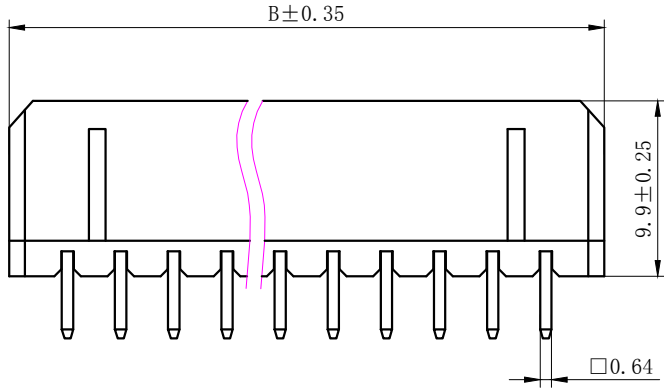


| Circuits | Dimension mm | | Circuits | Dimension mm | |
|----------|--------------|-------|----------|--------------|-------|
| | A | B | | A | B |
| 2 | -- | 6.60 | 14 | 18.00 | 24.60 |
| 4 | 3.00 | 9.60 | 16 | 21.00 | 27.60 |
| 6 | 6.00 | 12.60 | 18 | 24.00 | 30.60 |
| 8 | 9.00 | 15.60 | 20 | 27.00 | 33.60 |
| 10 | 12.00 | 18.60 | 22 | 30.00 | 36.60 |
| 12 | 15.00 | 21.60 | 24 | 33.00 | 39.60 |

| 3 | ③ | 底座 | LCP | 1 | UL94-V0 |
|----|----|-----|-----|----|---------|
| 2 | ② | 焊片 | 黄铜 | 2 | 镀锡 |
| 1 | ① | 接触件 | 黄铜 | N* | 镀锡 |
| 序号 | 图号 | 名称 | 材料 | 数量 | 附件 |

| | | | | | |
|---|--------------|--|--|---|--|
| GENERAL TOLERANCES (UNLESS SPECIFIED) | | ZHE JIANG DELI CONNECTORS CO.,LTD | | | |
| .X: ± 0.25 | .X°: ± 3.0° | PRODUCT NAME: DL30003-AWB (43045-AWB) | | TITLE: 3.0 mm Pitch Wire To Board SMT Wafer | |
| .XX: ± 0.15 | .X°: ± 2.0° | DR:Chen Quan Long | | DATE:20/07/27 | |
| .XXX: ± 0.01 | .XX°: ± 1.0° | CHKD:Wu Hui | | DATE:20/07/27 | |
| FINISH: | | APPD:Ren An De | | DATE:20/07/27 | |
| DRAWING NO: DL30003-XXWB-XXX-XX-X-XX | | SCALE: N/A | | PAGE: 1/1 | |
| | | UNITS: mm | | REV.: A | |

| | | |
|------|----------------------|------|
| REV. | REVISION DESCRIPTION | DATE |
| | | |



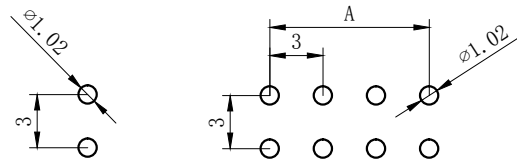
NORES:

1. Rated voltage: 250V AC.DC
2. Rated current: 3.5A AC DC
3. Contact resistance: ≤ 20 m Ω
4. Insulation resistance: ≥ 1000 m Ω
5. Withstand voltage: 1000V AC/minute
6. Ambient temprature: $-40^{\circ}\text{C} \sim 105^{\circ}\text{C}$
7. Materials: Nylon UL94V-0(2)
8. Matched RoHS criteria

ORDERING INFORMATION

DL 30003 - XX A - X XX - X X - X - XX
 1 2 3 4 5 6 7 8 9

1. PART NO.
2. NO. OF CIRCUIT
3. CONN. TYPE
4. MATERIAL: 0:PA66 V0 1:PA66 V1 2:PA66 V2
 3:PA66 V0 750 $^{\circ}\text{C}$ 4:LCP 5:PBT
 6:PA9T 7:9A6T 8:GF PA66
5. COLOR: NA:NATURE RE:RED BR:BROWN
 GY:GREY BK:BLACK YE:YELLOW
 BL:BLUE GR:GREEN PU:PURPLE PI:PINK
 OR:ORANGE TR:TRANSPARENT OT:OTHER
6. CONTACT MATERIAL: P:PHOSPHOR BRONZE B:BRASS
7. FINISH: T:TIN MT:MATT TIN BG/QG:GOLD S:SILVER
8. STYLE: Z:WITHOUT K K:WITH K
9. SERIAL NUMBER: 00.01.02.....



PCB LAYOUT

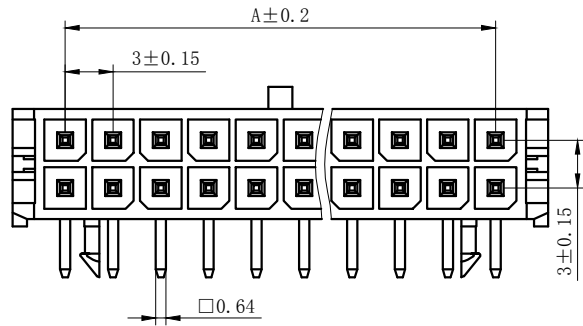
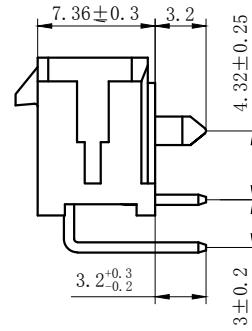
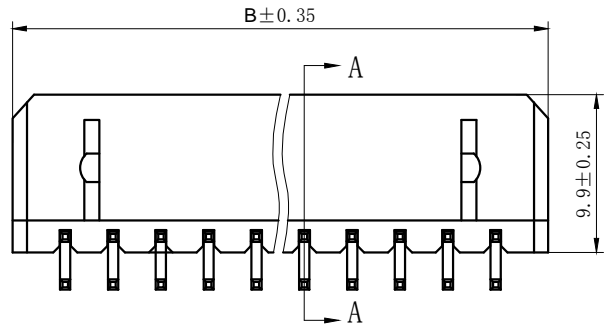
| Circuits | Dimension mm | | Circuits | Dimension mm | |
|----------|--------------|------|----------|--------------|------|
| | A | B | | A | B |
| 2X1 | 0 | 6.6 | 2X7 | 18.0 | 24.6 |
| 2X2 | 3.0 | 9.6 | 2X8 | 21.0 | 27.6 |
| 2X3 | 6.0 | 12.6 | 2X9 | 24.0 | 30.6 |
| 2X4 | 9.0 | 15.6 | 2X10 | 27.0 | 33.6 |
| 2X5 | 12.0 | 18.6 | 2X11 | 30.0 | 36.6 |
| 2X6 | 15.0 | 21.6 | 2X12 | 33.0 | 39.6 |

| | | | |
|--|------------------------------------|-------------------------------------|---|
| GENERAL TOLERANCES (UNLESS SPECIFIED) | | ZHE JIANG DELI CONNECTORS CO.,LTD | |
| .X: ± 0.25 | .X $^{\circ}$: $\pm 3.0^{\circ}$ | PRODUCT NAME: DL30003-A(43045-A) | TITLE: 3.0 mm Pitch Wire To Board Wafer |
| .XX: ± 0.15 | .X $^{\circ}$: $\pm 2.0^{\circ}$ | DR:Chen Quan Long | DATE:20/04/03 |
| .XXX: ± 0.01 | .XX $^{\circ}$: $\pm 1.0^{\circ}$ | CHKD: Wu Hui | DATE:20/04/03 |
| FINISH: | | APPD:Ren An De | DATE:20/04/03 |
| DRAWING NO: GC-DL30003-XXA-XXX-XX-X-XX | | UNITS: mm | REV.: B |
| | | PART NO: DL30003-XXA-XXX-XX-X-XX | SCALE: N/A |
| | | PAGE: 1/1 | |

| | | |
|------|----------------------|------|
| REV. | REVISION DESCRIPTION | DATE |
| | | |

NOTES:

1. Rated voltage: 250V AC.DC
2. Rated current: 3.5A AC.DC
3. Contact resistance : $\leq 20m\Omega$
4. Insulation resistance : $\geq 1000M\Omega$
5. Withstand voltage : 1000V AC/minute
6. Ambient temperature : $-40^{\circ}C \sim 105^{\circ}C$
7. Materials : Nylon UL94V-0(2)
8. Green Material RoHS Compliant

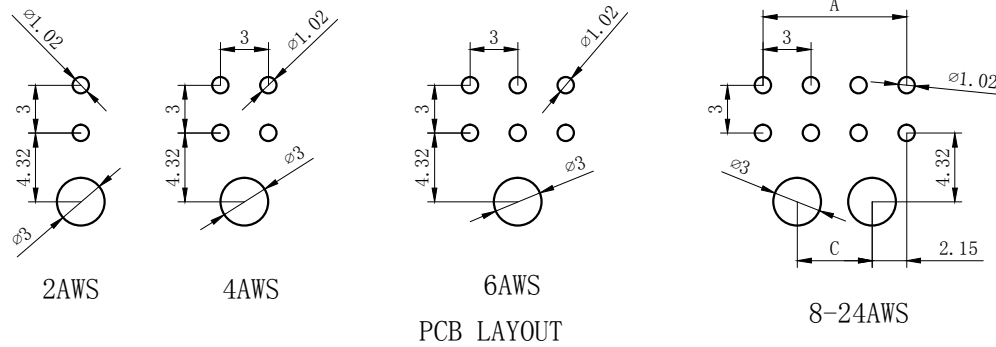


ORDERING INFORMATION

DL 30003 - XX WS - X XX - X X - X - XX
 1 2 3 4 5 6 7 8 9

1. PART NO.
2. . NO. OF CIRCUIT
3. CONN. TYPE
4. MATERIAL: 0: PA66 V0 1: PA66 V1 2: PA66 V2
3: PA66 V0 750°C 4: LCP 5: PBT 6: PA9T
5. COLOR: NA:NATURE RE:RED BR:BROWN
GY:GREY BK:BLACK YE:YELLOW
BL:BLUE GR:GREEN PU:PURPLE PI:PINK
OR:ORANGE TR:TRANSPARENT OT:OTHER
6. CONTACT MATERIAL: P:PHOSPHOR BRONZE B:BRASS
7. FINISH: T:TIN MT:MATT TIN BG/QG:GOLD S:SILVER
8. STYLE: Z:WITHOUT K K:WITH K
9. SERIAL NUMBER: 00.01.02.....

| Circuits | Dimension mm | | |
|----------|--------------|------|------|
| | A | B | C |
| 2X1 | 0 | 6.6 | 0 |
| 2X2 | 3.0 | 9.6 | 0 |
| 2X3 | 6.0 | 12.6 | 0 |
| 2X4 | 9.0 | 15.6 | 4.7 |
| 2X5 | 12.0 | 18.6 | 7.7 |
| 2X6 | 15.0 | 21.6 | 10.7 |
| 2X7 | 18.0 | 24.6 | 13.7 |
| 2X8 | 21.0 | 27.6 | 16.7 |
| 2X9 | 24.0 | 30.6 | 19.7 |
| 2X10 | 27.0 | 33.6 | 22.7 |
| 2X11 | 30.0 | 36.6 | 25.7 |
| 2X12 | 33.0 | 39.6 | 28.7 |

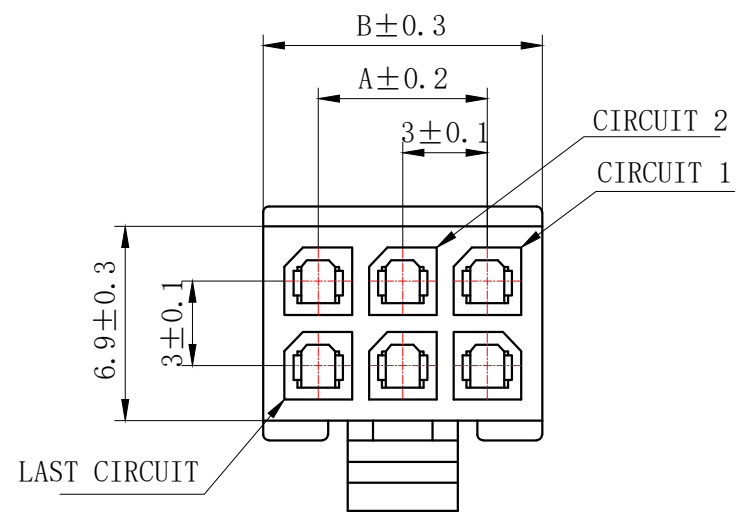
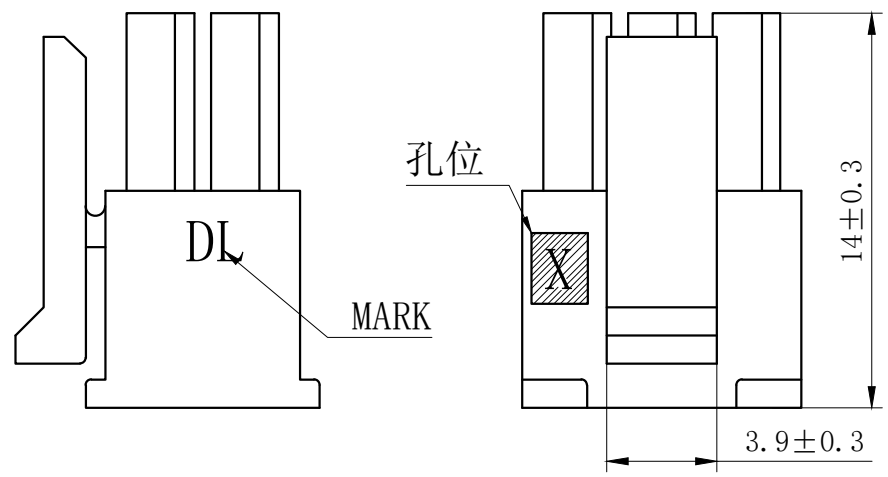


| | | | |
|--|--------------|---|---|
| GENERAL TOLERANCES (UNLESS SPECIFIED) | | ZHE JIANG DELI CONNECTORS CO., LTD | |
| .X: ± 0.25 | X°: ± 3.0° | PRODUCT NAME: DL30003-AWS(43045-AWS) | TITLE: 3.0 mm Pitch Wire To Board Wafer |
| .XX: ± 0.15 | .X°: ± 2.0° | DR:Chen Quan Long | DATE:20/04/03 |
| .XXX: ± 0.01 | .XX°: ± 1.0° | CHKD: Wu Hui | DATE:20/04/03 |
| FINISH: | | APPD:Ren An De | DATE:20/04/03 |
| DRAWING NO: GC-DL30003-XXWS-XXX-XX-X-XX | | PART NO: DL30003-XXWS-XXX-XX-X-XX | |
| | | SCALE: N/A | PAGE: 1/1 |
| | | UNITS: mm | REV.: B |

| | | | |
|------|----------------------|------|------|
| REV. | REVISION DESCRIPTION | DATE | APPD |
| | | | |

NOTES

Available in 02 through 24 Circuits.
 Mates with DL30001/DL30003 series housing.
 Material : Nylon UL94V-0(2).
 Accepts DL30001-T Crimp Terminal.



ORDERING INFORMATION

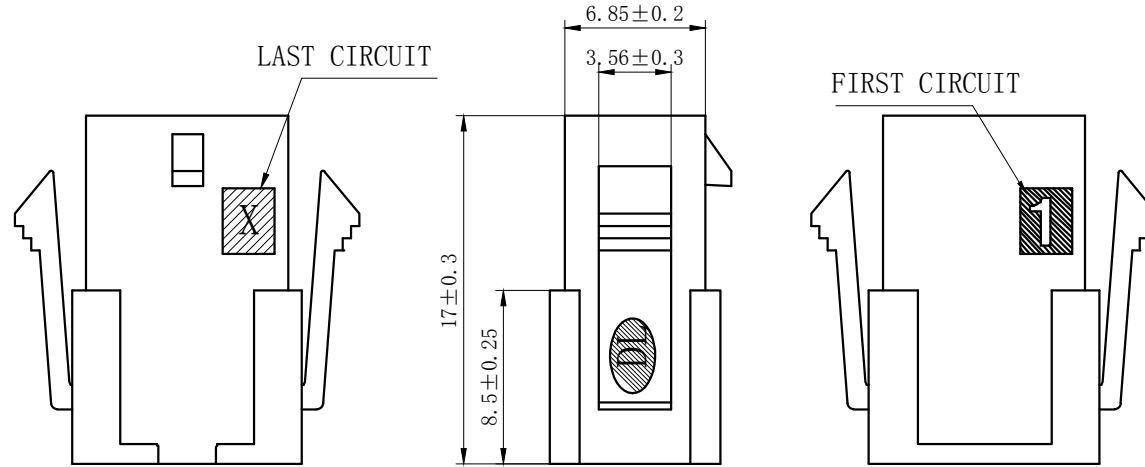
DL XXXX - XX X - X XX - XX
 1 2 3 4 5 6

- PART NO.
- . NO. OF CIRCUIT
- CONN. TYPE
- MATERIAL: 0:PA66 V0 1:PA66 V1 2:PA66 V2
 3:PA66 V0 750°C 4:LCP 5:PBT
 6:PA9T 7:9A6T 8:GF PA66
- COLOR: NA:NATURE WH:WHITE RE:RED BR:BROWN
 GY:GREY BK:BLACK YE:YELLOW
 BL:BLUE GR:GREEN PU:PURPLE PI:PINK
 OR:ORANGE TR:TRANSPARENT OT:OTHER
- SERIAL NUMBER: 00.01.02.....

| Circuits | TYPE | Dimension mm | |
|----------|-----------|--------------|-------|
| | | A | B |
| 2X1 | 43025-2Y | - | 3.90 |
| 2X2 | 43025-4Y | 3.00 | 6.90 |
| 2X3 | 43025-6Y | 6.00 | 9.90 |
| 2X4 | 43025-8Y | 9.00 | 12.90 |
| 2X5 | 43025-10Y | 12.00 | 15.90 |
| 2X6 | 43025-12Y | 15.00 | 18.90 |
| 2X7 | 43025-14Y | 18.00 | 21.90 |
| 2X8 | 43025-16Y | 21.00 | 24.90 |
| 2X9 | 43025-18Y | 24.00 | 27.90 |
| 2X10 | 43025-20Y | 27.00 | 30.90 |
| 2X11 | 43025-22Y | 30.00 | 33.90 |
| 2X12 | 43025-24Y | 33.00 | 36.90 |

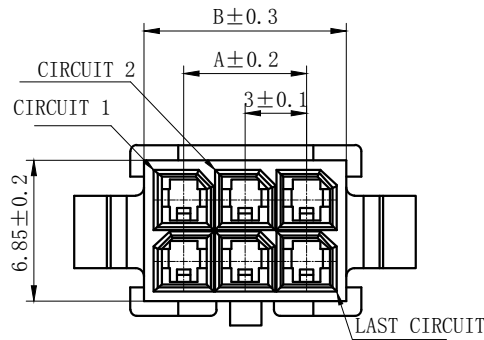
| | | | |
|---------------------------------------|--------------|-------------------------------------|-------------------------------|
| GENERAL TOLERANCES (UNLESS SPECIFIED) | | ZHE JIANG DELI CONNECTORS CO., LTD | |
| .X: ± 0.25 | X°: ± 3.0° | PRODUCT NAME: DL30001-Y(43025-Y) | TITLE: 3.0mm Pitch Housing |
| .XX: ± 0.15 | .X°: ± 2.0° | DR:Chen Quan Long | DATE:20/08/01 |
| .XXX: ± 0.01 | .XX°: ± 1.0° | CHKD: Wu Hui | DATE:20/08/01 |
| FINISH: _____ | | APPD:Ren An De | DATE:20/08/01 |
| DRAWING NO: GC-DL30001-XXY-XXX-XX | | | |

| REV. | REVISION DESCRIPTION | DATE | APPD |
|------|----------------------|------|------|
| | | | |



NOTES

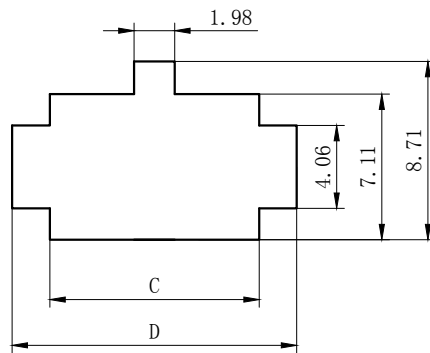
Available in 02 through 24 Circuits.
Mates with DL30001-Y Series Housing.
Material : Nylon UL94V-0 (2) .
Accepts DL30001-RT Crimp Terminal.



ORDERING INFORMATION

DL XXXXX - XX X - X XX - XX
1 2 3 4 5 6

- PART NO.
- NO. OF CIRCUIT
- CONN. TYPE
- MATERIAL: 0:PA66 V0 1:PA66 V1 2:PA66 V2
3:PA66 V0 750°C 4:LCP 5:PBT
6:PA9T 7:PA6T 8:GF PA66
- COLOR: NA:NATURE WH:WHITE RE:RED BR:BROWN
GY:GREY BK:BLACK YE:YELLOW
BL:BLUE GR:GREEN PU:PURPLE PI:PINK
OR:ORANGE TR:TRANSPARENT OT:OTHER
- SERIAL NUMBER: 00.01.02.....

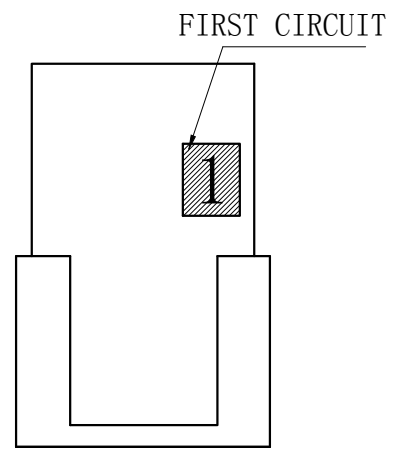
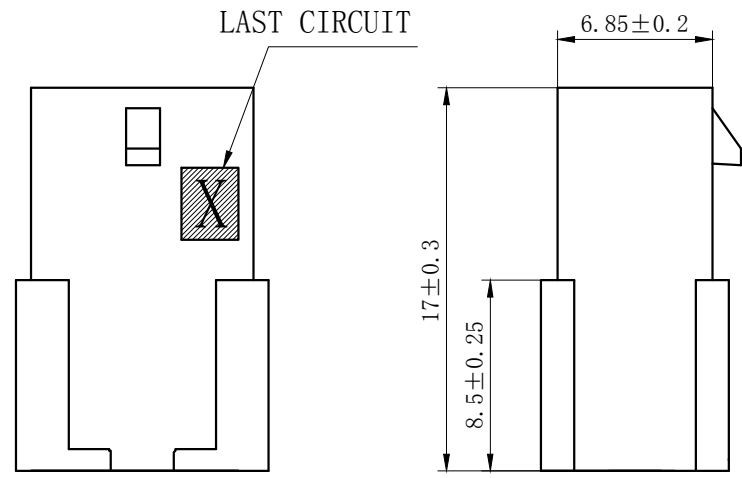


安装尺寸

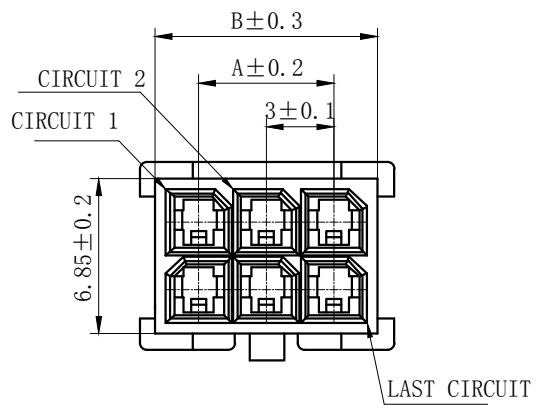
| Circuits | TYPE | Dimension mm | | | |
|----------|-----------|--------------|-------|-------|-------|
| | | A | B | C | D |
| 2X1 | 43020-2R | - | 3.90 | 4.21 | 7.90 |
| 2X2 | 43020-4R | 3.00 | 6.90 | 7.21 | 10.90 |
| 2X3 | 43020-6R | 6.00 | 9.90 | 10.21 | 13.90 |
| 2X4 | 43020-8R | 9.00 | 12.90 | 13.21 | 16.90 |
| 2X5 | 43020-10R | 12.00 | 15.90 | 16.21 | 19.90 |
| 2X6 | 43020-12R | 15.00 | 18.90 | 19.21 | 22.90 |
| 2X7 | 43020-14R | 18.00 | 21.90 | 22.21 | 25.90 |
| 2X8 | 43020-16R | 21.00 | 24.90 | 25.21 | 28.90 |
| 2X9 | 43020-18R | 24.00 | 27.90 | 28.21 | 31.90 |
| 2X10 | 43020-20R | 27.00 | 30.90 | 31.21 | 34.90 |
| 2X11 | 43020-22R | 30.00 | 33.90 | 34.21 | 37.90 |
| 2X12 | 43020-24R | 33.00 | 36.90 | 37.21 | 40.90 |

| GENERAL TOLERANCES (UNLESS SPECIFIED) | | ZHE JIANG DELI CONNECTORS CO., LTD | |
|---------------------------------------|--------------|--------------------------------------|--|
| .X: ± 0.25 | X°: ± 3.0° | PRODUCT NAME: DL30001-R (43020-R) | TITLE: 3.0mm Pitch Wire To Wire Plug Housing |
| .XX: ± 0.15 | .X°: ± 2.0° | DR:Chen Quan Long | DATE:20/08/01 |
| .XXX: ± 0.01 | .XX°: ± 1.0° | DATE:20/08/01 | PART NO: DL30001-XXR-XXX-XX |
| FINISH: | | CHKD: Wu Hui | DATE:20/08/01 |
| DRAWING NO: QC-DL30001-XXR-XXX-XX | | APPD:Ren An De | DATE:20/08/01 |
| | | SCALE: N/A | PAGE: 1/2 |
| | | UNITS: mm | REV.: A |

| | | | |
|------|----------------------|------|------|
| REV. | REVISION DESCRIPTION | DATE | APPD |
| | | | |



NOTES
 Available in 02 through 24 Circuits.
 Mates with DL30001-Y Series Housing.
 Material : Nylon UL94V-0 (2) .
 Accepts DL30001-RT Crimp Terminal.



| Circuits | TYPE | Dimension mm | |
|----------|------------|--------------|-------|
| | | A | B |
| 2X1 | 43020-2RF | - | 3.90 |
| 2X2 | 43020-4RF | 3.00 | 6.90 |
| 2X3 | 43020-6RF | 6.00 | 9.90 |
| 2X4 | 43020-8RF | 9.00 | 12.90 |
| 2X5 | 43020-10RF | 12.00 | 15.90 |
| 2X6 | 43020-12RF | 15.00 | 18.90 |
| 2X7 | 43020-14RF | 18.00 | 21.90 |
| 2X8 | 43020-16RF | 21.00 | 24.90 |
| 2X9 | 43020-18RF | 24.00 | 27.90 |
| 2X10 | 43020-20RF | 27.00 | 30.90 |
| 2X11 | 43020-22R | 30.00 | 33.90 |
| 2X12 | 43020-24R | 33.00 | 36.90 |

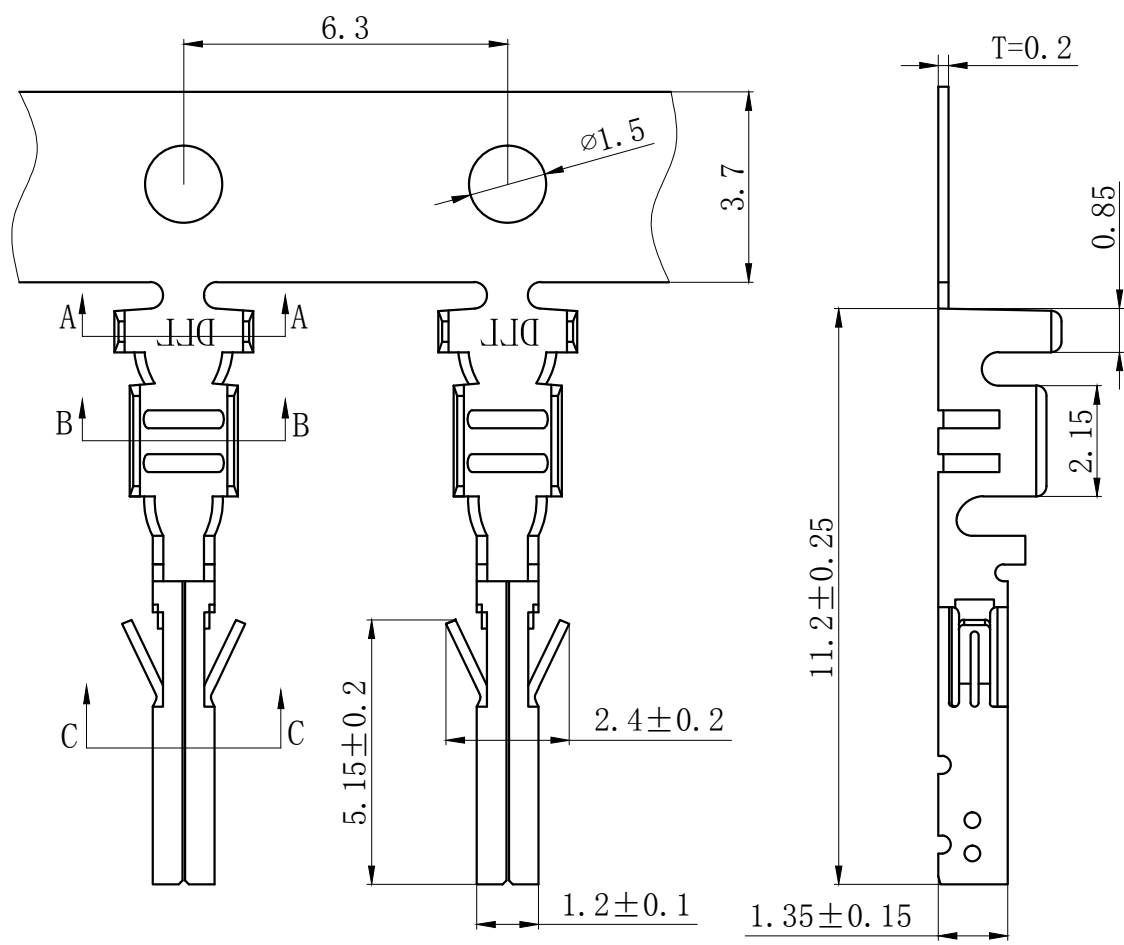
ORDERING INFORMATION

DL 30001 - XX RF - X XX - XX
 1 2 3 4 5 6

- PART NO.
- .NO. OF CIRCUIT
- CONN. TYPE
- MATERIAL: 0:PA66 V0 1:PA66 V1 2:PA66 V2
 3:PA66 V0 750°C 4:LCP 5:PBT
 6:PA9T 7:9A6T 8:GF PA66
- COLOR: NA:NATURE WH:WHITE RE:RED BR:BROWN
 GY:GREY BK:BLACK YE:YELLOW
 BL:BLUE GR:GREEN PU:PURPLE PI:PINK
 OR:ORANGE TR:TRANSPARENT OT:OTHER
- SERIAL NUMBER: 00.01.02.....

| | | | |
|--|---------------|--|--|
| GENERAL TOLERANCES (UNLESS SPECIFIED) | | ZHE JIANG DELI CONNECTORS CO ., LTD | |
| .X: ± 0.25 | X° : ± 3.0° | PRODUCT NAME: DL30001-R (43020-RF) | TITLE: 3.0mm Pitch Wire To Wire Plug Housing |
| .XX: ± 0.15 | .X° : ± 2.0° | DR:Yuan Jun Rong | DATE:20/08/01 |
| .XXX: ± 0.01 | .XX° : ± 1.0° | CHKD: Wu Hui | DATE:20/08/01 |
| FINISH: _____ | | APPD:Ren An De | DATE:20/08/01 |
| DRAWING NO: QC-DL30001-XXRF-XXX-XX | | PART NO: DL30001-XXRF-XXX-XX | |
| | | SCALE: N/A | PAGE: 1/2 |
| | | UNITS: mm | REV.: A |

| REV. | REVISION DESCRIPTION | DATE | APPD |
|------|----------------------|------|------|
| | | | |



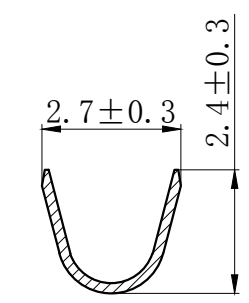
NOTES

Used in DL30001-Y Series Housing.
 Accepts AWG #28~20 Wire Range.
 Material : Phosphor Bronze .
 Finish: Tin plated.
 Qty/Reel: 10000 PCS.
 Thickness: 0.2 mm.
 Green Material RoHS Compliant.

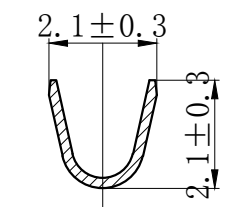
ORDERING INFORMATION

DL XXXXX - XX - X - X - X - XX
 1 2 3 4 5 6

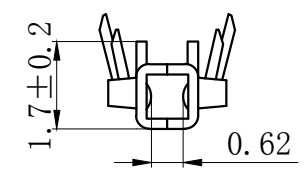
- PART NO.
- TERMINAL CODE
- MATERIAL TYPE: 1: PHOSPHOR BRONZE 2: BRASS 3: IRON
4: STAINLESS STEEL 5: OTHER
- TECHNICS: 0: UNPLATED 1: FIRST PLATING 2: POST PLATING
3: OTHER
- FINISH: 1: TIN-PLATED 2: MATTE PLATED 3: NICKEL PLATED
4: PICKLING 5: SILVER PLATED 6: GOLD PLATED
7: GALVANIZED 8: OTHER
- SERIAL NUMBER: 00.01.02.....



SECTION A-A



SECTION B-B

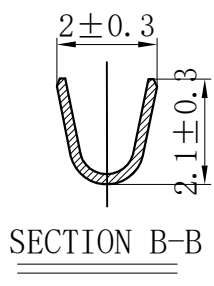
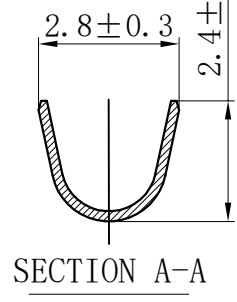
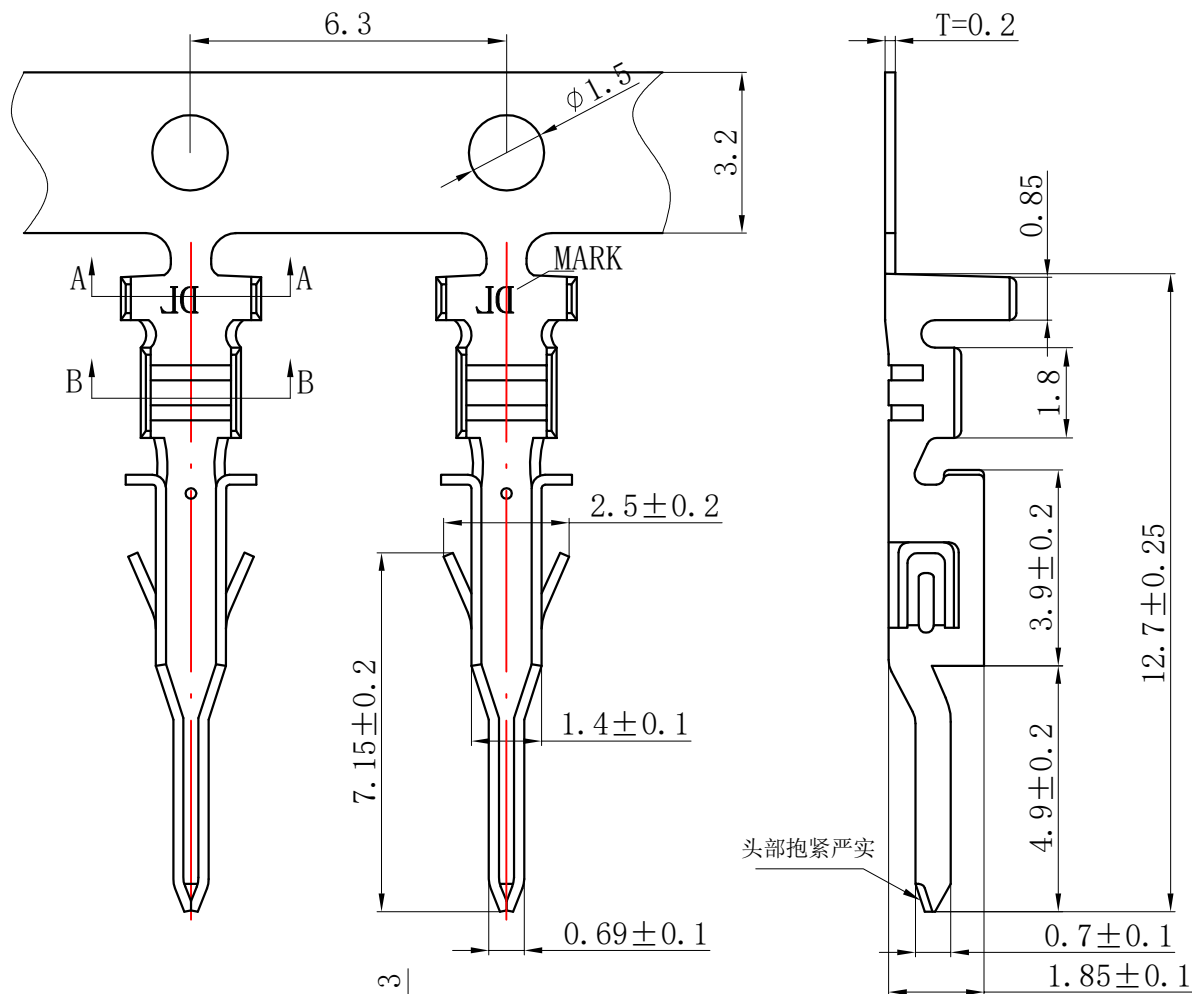


SECTION C-C

| | | | |
|--|-----------------------|-------------------------------------|---|
| GENERAL TOLERANCES (UNLESS SPECIFIED) | | ZHE JIANG DELI CONNECTORS CO., LTD | |
| .X: ± 0.25 | .X°: $\pm 3.0^\circ$ | PRODUCT NAME: DL30001-T(43030-T) | TITLE: 3.0mm Pitch Wire To Board Crimp Terminal |
| .XX: ± 0.15 | .X°: $\pm 2.0^\circ$ | DR: Chen Quan Long | DATE: 20.03.11 |
| .XXX: ± 0.01 | .XX°: $\pm 1.0^\circ$ | CHKD: Wu Hui | DATE: 20.03.11 |
| FINISH: | | APPD: Ren An De | DATE: 20.03.11 |
| DRAWING NO: GC-DL30001-T-X-X-X-XX | | SCALE: N/A | PAGE: 1/1 |
| | | UNITS: mm | REV.: A |

| REV. | REVISION DESCRIPTION | DATE | APPD |
|------|----------------------|------|------|
| | | | |

A
B
C
D
E
F



NOTES

Used in DL30001-R Series Housing.
 Accepts AWG #28~20 Wire Range.
 Material : Phosphor Bronze .
 Finish: Tin plated.
 Qty/Reel: 10000 PCS.
 Thickness: 0.2 mm.
 Green Material RoHS Compliant.

ORDERING INFORMATION

DL XXXXX - XX - X - X - X - XX
 1 2 3 4 5 6

- PART NO.
- TERMINAL CODE
- MATERIAL TYPE: 1: PHOSPJOR BRONZE 2: BRASS 3: IRON
4: STAINLESS STEEL 5: OTHER
- TECHNICS: 0: UNPLATED 1: FIRST PLATING 2: POST PLATING
3: OTHER
- FINISH: 1: TIN-PLATED 2: MATTE PLATED 3: NICKEL PLATED
4: PICKLING 5: SILVER PLATED 6: GOLD PLATED
7: GALVANIZED 8: OTHER
- SERIAL NUMBER: 00.01.02....

| GENERAL TOLERANCES (UNLESS SPECIFIED) | | ZHE JIANG DELI CONNECTORS CO., LTD | |
|---------------------------------------|-----------------------|------------------------------------|------------------------------|
| .X: ± 0.25 | X°: $\pm 3.0^\circ$ | PRODUCT NAME: | TITLE: 3.0mm Pitch |
| .XX: ± 0.15 | .X°: $\pm 2.0^\circ$ | DL30001-RT (43031-RT) | Wire To Wire Crimp Terminal |
| .XXX: ± 0.01 | .XX°: $\pm 1.0^\circ$ | DR: Chen Quan Long | DATE: 20.03.11 |
| FINISH: | | CHKD: Wu Hui | DATE: 20.03.11 |
| DRAWING NO: GC-DL30001-RT-X-X-X-XX | | APPD: Ren An De | DATE: 20.03.11 |
| | | | PART NO: DL30001-RT-X-X-X-XX |
| | | | SCALE: N/A |
| | | | PAGE: 1/1 |
| | | | UNITS: mm |
| | | | REV.: A |

A
B
C
D
E
F

1 2 3 4 5 6 7 8

X-ON Electronics

Largest Supplier of Electrical and Electronic Components

Click to view similar products for [Headers & Wire Housings](#) category:

Click to view products by [DLL](#) manufacturer:

Other Similar products are found below :

[0015917161](#) [0022155065](#) [57102-F02-18ULF](#) [58102-G61-06LF](#) [582553-1](#) [01.001.5753.1](#) [0050291907](#) [02.125.8002.8](#) [609-3404](#) [61062-3](#)
[CSU011177004](#) [622-0430](#) [622-3653LF](#) [63453-116](#) [636-1030](#) [636-1427](#) [636-3427](#) [636-4007](#) [641938-9](#) [65495-038](#) [65692-001LF](#) [65781-018](#)
[65781-047](#) [65817-010LF](#) [65817-015LF](#) [67095-007LF](#) [67601157](#) [68631-112](#) [68645-018](#) [699319-000](#) [70.362.1628.0](#) [70-4210](#) [70-4226B](#) [70-](#)
[4853B](#) [71.350.2428.0](#) [733-134](#) [733-162](#) [760-3052](#) [MHR-64-VUAL](#) [80.063.4001.1](#) [800-90-001-10-001000](#) [801-43-002-10-013000](#)
[801-43-006-10-002000](#) [803-43-024-10-001000](#) [803-93-012-10-001000](#) [8-1437020-4](#) [819-22-004-30-001101](#) [820-22-006-30-001101](#)
[820-22-008-30-001101](#) [821-22-002-10-001101](#)