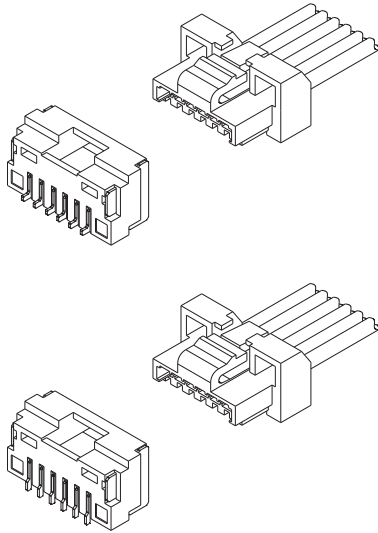
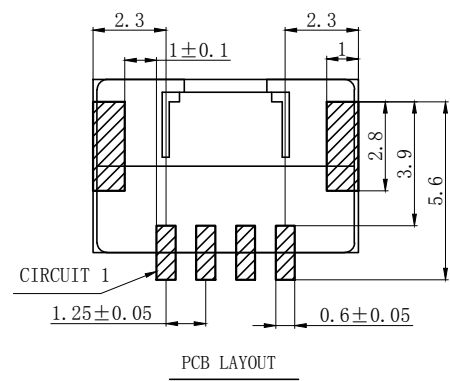
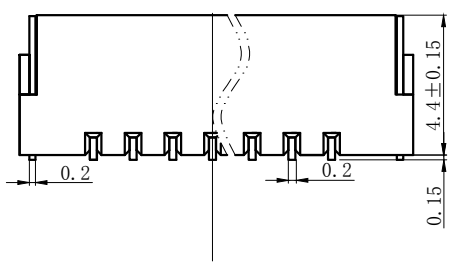
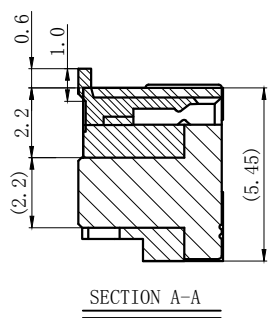
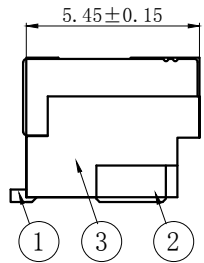
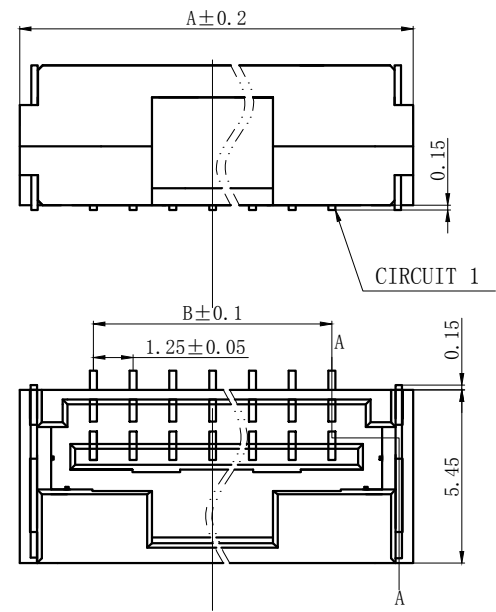


### 技术特性/Specifications:

额定电压 Rated voltage: 50V AC, DC  
额定电流 Rated current: 1A AC, DC  
接触电阻 Contact resistance: 20mΩ max  
绝缘电阻 Insulation resistance: 100MΩ min  
耐压 Withstand voltage: 250V AC/minute  
环境温度 Ambient temperature: -25°C~+85°C  
适用线规 Wire range: AWG#28~#26



| REV. | REVISION DESCRIPTION | DATE | APPD |
|------|----------------------|------|------|
|      |                      |      |      |



### NOTES

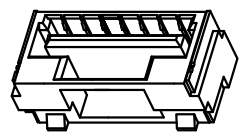
Available in 02 through 20 Circuits.  
 Material : LCP UL94V-0.  
 Finish: TIN Bronze ,Tin plated.  
 Brass, Tin piated.  
 Mates with DL12504-Y Series Housing.

### ORDERING INFORMATION

DL12504 - XX B - X XX - X X - X - XX  
 1 2 3 4 5 6 7 8 9

- PART NO.
- NO. OF CIRCUIT
- CONN. TYPE
- MATERIAL: 0:PA66 V0 1:PA66 V1 2:PA66 V2 3:PA66 V0 750 °C  
 4:LCP 5:PBT 6:PA9T 7:9A6T 8:GF PA66
- COLOR: NA:NATURE RE:RED BR:BROWN  
 GY:GREY BK:BLACK YE:YELLOW  
 BL:BLUE GR:GREEN PU:PURPLE PI:PINK  
 OR:ORANGE TR:TRANSPARENT OT:OTHER
- CONTACT MATERIAL: P:PHOSPHOR BRONZE B:BRASS
- FINISH: T:TIN MT:MATT TIN BG/QG:GOLD S:SILVER
- STYLE: Z:WITHOUT K K:WITH K
- SERIAL NUMBER: 00.01.02.....

|    |    |     |     |    |         |
|----|----|-----|-----|----|---------|
| 3  | ③  | 基座  | LCP | 1  | UL94V-0 |
| 2  | ②  | 焊片  | 黄铜  | 2  | 镀锡      |
| 1  | ①  | 接触件 | 磷青铜 | N* | 镀锡      |
| 序号 | 图号 | 名称  | 材料  | 数量 | 附件      |



| Circuits | Type       | Dimension mm |      | Circuits | Type       | Dimension mm |      |
|----------|------------|--------------|------|----------|------------|--------------|------|
|          |            | A            | B    |          |            | A            | B    |
| 2        | 502380-2AB | 5.85         | 1.25 | 6        | 502380-6AB | 10.85        | 6.25 |
| 3        | 502380-3AB | 7.10         | 2.50 | 7        | 502380-7AB | 12.10        | 7.50 |
| 4        | 502380-4AB | 8.35         | 3.75 |          |            |              |      |
| 5        | 502380-5AB | 9.60         | 5.00 |          |            |              |      |

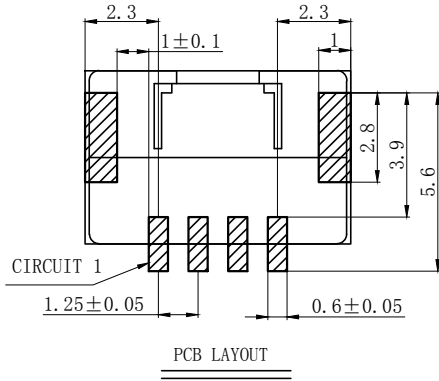
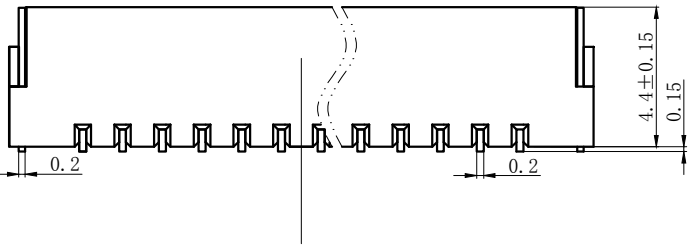
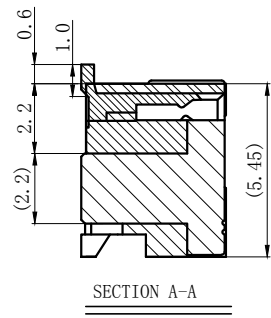
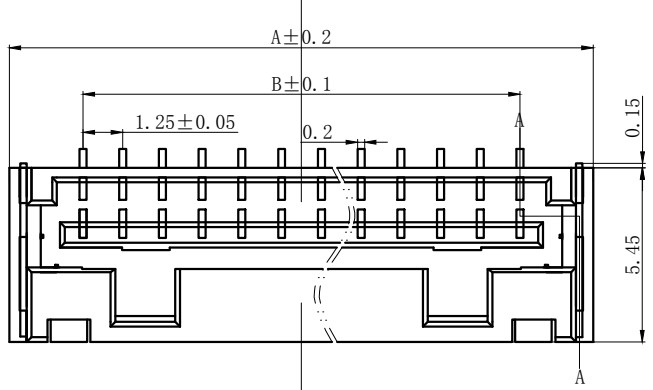
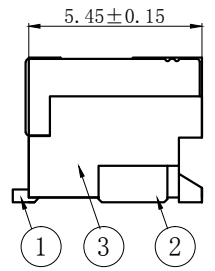
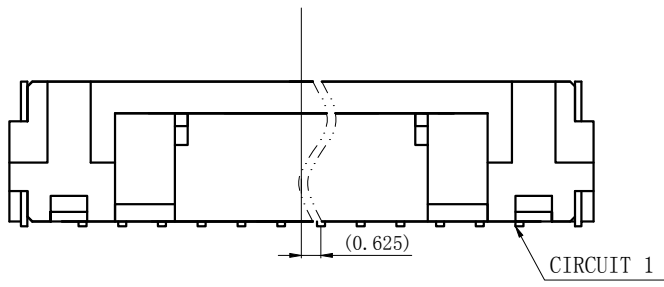
| GENERAL TOLERANCES (UNLESS SPECIFIED)  |              |
|--|--------------|
| .X: ± 0.25                             | X°: ± 3.0°   |
| .XX: ± 0.15                            | .X°: ± 2.0°  |
| .XXX: ± 0.01                           | .XX°: ± 1.0° |
| FINISH:                                |              |
| DRAWING NO: GC-DL12504-XXB-XXX-XX-X-XX |              |

| ZHE JIANG DELI CONNECTORS CO., LTD  |                |  |           |
|-------------------------------------|----------------|--|-----------|
| PRODUCT NAME: DL12504-AB(502380-AB) |                | TITLE: 1.25 mm Pitch Wire To Board Housing |           |
| DR: Yuan Jun Rong                   | DATE: 21.10.12 | PART NO: DL12504-XXB-XXX-XX-X-XX           |           |
| CHKD: Wu Hui                        | DATE: 21.10.12 | SCALE: N/A                                 | PAGE: 1/1 |
| APPD: Ren An De                     | DATE: 21.10.12 | UNITS: mm                                  | REV.: A   |

| REV. | REVISION DESCRIPTION | DATE | APPD |
|------|----------------------|------|------|
|      |                      |      |      |

A  
B  
C  
D  
E  
F

A  
B  
C  
D  
E  
F



**NOTES**

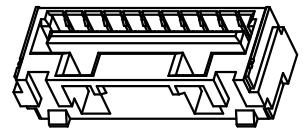
Available in 02 through 20 Circuits.  
 Material : LCP UL94V-0.  
 Finish: TIN Bronze, Tin plated.  
 Brass, Tin plated.  
 Mates with DL12504-Y Series Housing.

**ORDERING INFORMATION**

DL12504 - XX B - X XX - X X - X - XX  
 1 2 3 4 5 6 7 8 9

- PART NO.
- NO. OF CIRCUIT
- CONN. TYPE
- MATERIAL: 0:PA66 V0 1:PA66 V1 2:PA66 V2 3:PA66 V0 750 °C  
 4:LCP 5:PBT 6:PA9T 7:9A6T 8:GF PA66
- COLOR: NA:NATURE RE:RED BR:BROWN  
 GY:GREY BK:BLACK YE:YELLOW  
 BL:BLUE GR:GREEN PU:PURPLE PI:PINK  
 OR:ORANGE TR:TRANSPARENT OT:OTHER
- CONTACT MATERIAL: P:PHOSPHOR BRONZE B:BRASS
- FINISH: T:TIN MT:MATT TIN BG/QG:GOLD S:SILVER
- STYLE: Z:WITHOUT K K:WITH K
- SERIAL NUMBER: 00.01.02.....

|    |    |     |     |    |         |
|----|----|-----|-----|----|---------|
| 3  | ③  | 底座  | LCP | 1  | UL94V-0 |
| 2  | ②  | 焊片  | 黄铜  | 2  | 镀锡      |
| 1  | ①  | 接触件 | 磷青铜 | N* | 镀锡      |
| 序号 | 图号 | 名称  | 材料  | 数量 | 附件      |

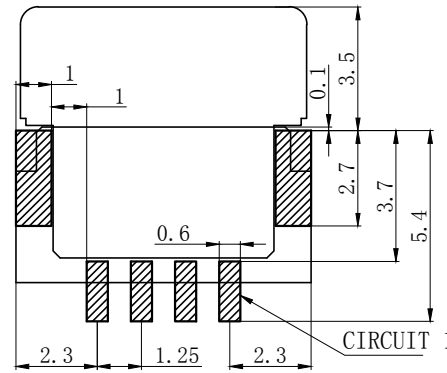
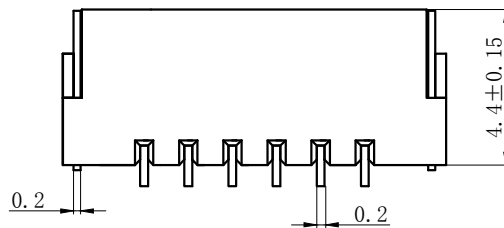
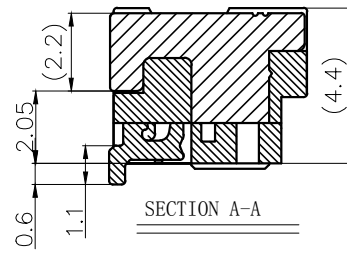
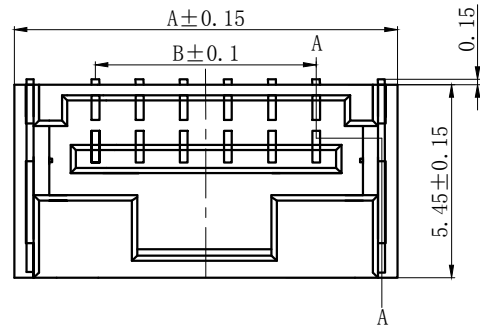
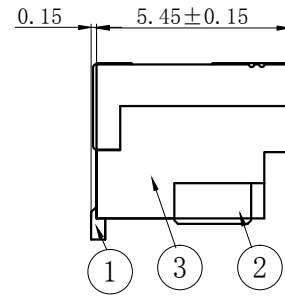
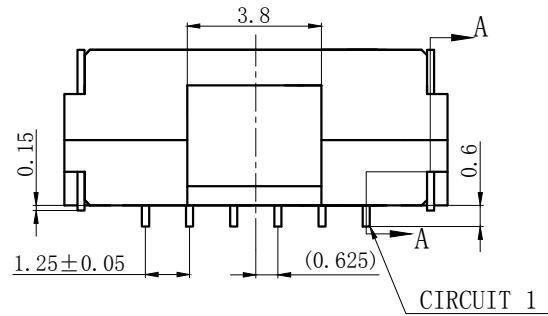


| Circuits | Type        | Dimension mm |       | Circuits | Type        | Dimension mm |       |
|----------|-------------|--------------|-------|----------|-------------|--------------|-------|
|          |             | A            | B     |          |             | A            | B     |
| 8        | 502380-8AB  | 13.35        | 8.75  | 12       | 502380-12AB | 18.35        | 13.75 |
| 9        | 502380-9AB  | 14.60        | 10.00 | 13       | 502380-13AB | 19.60        | 15.00 |
| 10       | 502380-10AB | 15.85        | 11.25 | ~        | ~           | ~            | ~     |
| 11       | 502380-11AB | 17.10        | 12.50 | 20       | 502380-20AB | 28.35        | 23.75 |

|  |              |   |                |  |           |
|--|--------------|---|----------------|--|-----------|
| GENERAL TOLERANCES (UNLESS SPECIFIED)  |              | ZHE JIANG DELI CONNECTORS CO., LTD      |                |  |           |
| .X: ± 0.25                             | X°: ± 3.0°   | PRODUCT NAME:<br>DL12504-AB (502380-AB) |                | TITLE:<br>1.25 mm Pitch<br>Wire To Board Housing |           |
| .XX: ± 0.15                            | .X°: ± 2.0°  | DR: Yuan Jun Rong                       | DATE: 21.10.12 | PART NO:<br>DL12504-XXB-XXX-XX-X-XX              |           |
| .XXX: ± 0.01                           | .XX°: ± 1.0° | CHKD: Wu Hui                            | DATE: 21.10.12 | SCALE: N/A                                       | PAGE: 1/1 |
| FINISH:                                |              | APPD: Ren An De                         | DATE: 21.10.12 | UNITS: mm  | REV.: A   |
| DRAWING NO: GC-DL12504-XXB-XXX-XX-X-XX |              |   |                |  |           |

1 2 3 4 5 6 7 8

| REV. | REVISION DESCRIPTION | DATE | APPD |
|------|----------------------|------|------|
|      |                      |      |      |



### NOTES

Available in 02 through 20 Circuits.

Material : LCP UL94V-0.

Finish: TIN Bronze , Tin plated.  
Brass, Tin piated.

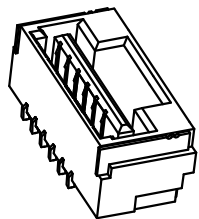
Mates with DL12504-Y Series Housing.

### ORDERING INFORMATION

DL12504 - XX WB - X XX - X X - X - XX  
1 2 3 4 5 6 7 8 9

- PART NO.
- NO. OF CIRCUIT
- CONN. TYPE
- MATERIAL: 0:PA66 V0 1:PA66 V1 2:PA66 V2 3:PA66 V0 750 °C  
4:LCP 5:PBT 6:PA9T 7:9A6T 8:GF PA66
- COLOR: NA:NATURE RE:RED BR:BROWN  
GY:GREY BK:BLACK YE:YELLOW  
BL:BLUE GR:GREEN PU:PURPLE PI:PINK  
OR:ORANGE TR:TRANSPARENT OT:OTHER
- CONTACT MATERIAL: P:PHOSPHOR BRONZE B:BRASS
- FINISH: T:TIN MT:MATT TIN BG/QG:GOLD S:SILVER
- STYLE: Z:WITHOUT K K:WITH K
- SERIAL NUMBER: 00.01.02.....

|    |    |     |     |    |         |
|----|----|-----|-----|----|---------|
| 3  | ③  | 基座  | LCP | 1  | UL94V-0 |
| 2  | ②  | 焊片  | 黄铜  | 2  | 镀锡      |
| 1  | ①  | 接触件 | 磷青铜 | N* | 镀锡      |
| 序号 | 图号 | 名称  | 材料  | 数量 | 附件      |



| Circuits | Type        | Dimension mm |      | Circuits | Type        | Dimension mm |      |
|----------|-------------|--------------|------|----------|-------------|--------------|------|
|          |             | A            | B    |          |             | A            | B    |
| 2        | 502380-2AWB | 5.85         | 1.25 | 6        | 502380-6AWB | 10.85        | 6.25 |
| 3        | 502380-3AWB | 7.10         | 2.50 | 7        | 502380-7AWB | 12.10        | 7.50 |
| 4        | 502380-4AWB | 8.35         | 3.75 |          |             |              |      |
| 5        | 502380-5AWB | 9.60         | 5.00 |          |             |              |      |

### GENERAL TOLERANCES (UNLESS SPECIFIED)

|              |                             |
|--------------|-----------------------------|
| .X: ± 0.25   | X°: ± 3.0°                  |
| .XX: ± 0.15  | .X°: ± 2.0°                 |
| .XXX: ± 0.01 | .XX°: ± 1.0°                |
| FINISH:      |                             |
| DRAWING NO:  | GC-DL12504-XXWB-XXX-XX-X-XX |

### ZHE JIANG DELI CONNECTORS CO., LTD

|  |  |
|--|--|
| PRODUCT NAME:<br>DL12504-AWB(502380-AWB) | TITLE:<br>1.25 mm Pitch<br>Wire To Board Housing |
| DR: Yuan Jun Rong DATE:21.10.12          | PART NO:<br>DL12504-XXWB-XXX-XX-X-XX             |
| CHKD: Wu Hui DATE:21.10.12               | SCALE: N/A PAGE: 1/1                             |
| APPD:Ren An De DATE:21.10.12             | UNITS: mm REV.: A                                |

| REV. | REVISION DESCRIPTION | DATE | APPD |
|------|----------------------|------|------|
|      |                      |      |      |

### NOTES

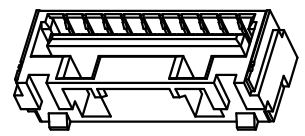
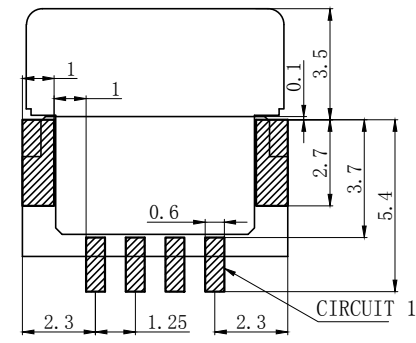
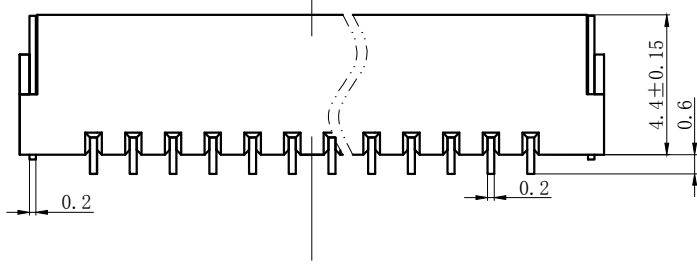
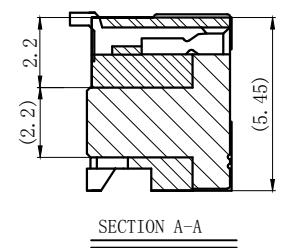
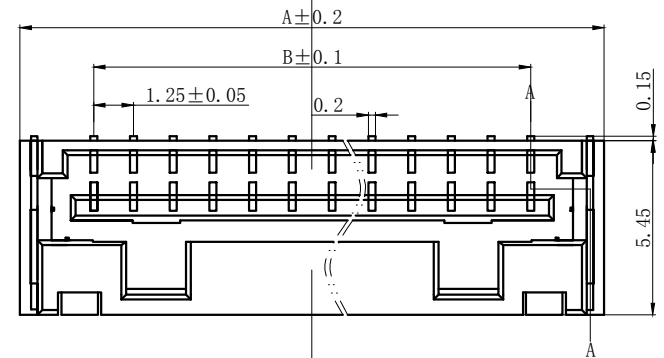
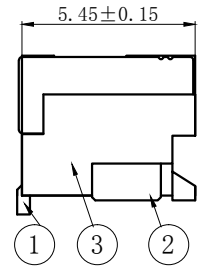
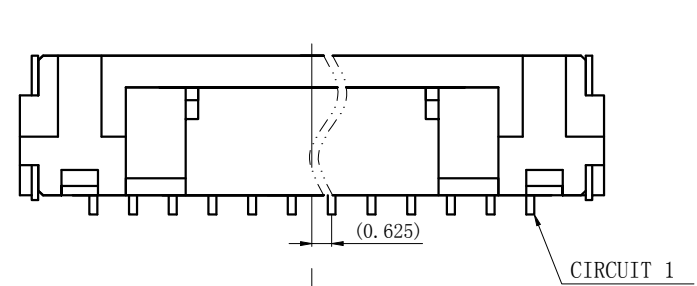
Available in 02 through 20 Circuits.  
 Material : LCP UL94V-0.  
 Finish: TIN Bronze ,Tin plated.  
 Brass, Tin plated.  
 Mates with DL12504-Y Series Housing.

### ORDERING INFORMATION

DL12504 - XX WB - X XX - X X - X - XX  
 1 2 3 4 5 6 7 8 9

- PART NO.
- NO. OF CIRCUIT
- CONN. TYPE
- MATERIAL: 0:PA66 V0 1:PA66 V1 2:PA66 V2 3:PA66 V0 750 °C  
4:LCP 5:PBT 6:PA9T 7:9A6T 8:GF PA66
- COLOR: NA:NATURE RE:RED BR:BROWN  
GY:GREY BK:BLACK YE:YELLOW  
BL:BLUE GR:GREEN PU:PURPLE PI:PINK  
OR:ORANGE TR:TRANSPARENT OT:OTHER
- CONTACT MATERIAL: P:PHOSPHOR BRONZE B:BRASS
- FINISH: T:TIN MT:MATT TIN BG/QG:GOLD S:SILVER
- STYLE: Z:WITHOUT K K:WITH K
- SERIAL NUMBER: 00.01.02.....

|    |    |     |     |    |         |
|----|----|-----|-----|----|---------|
| 3  | ③  | 基座  | LCP | 1  | UL94V-0 |
| 2  | ②  | 焊片  | 黄铜  | 2  | 镀锡      |
| 1  | ①  | 接触件 | 磷青铜 | N* | 镀锡      |
| 序号 | 图号 | 名称  | 材料  | 数量 | 附件      |



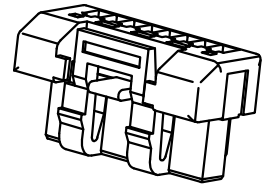
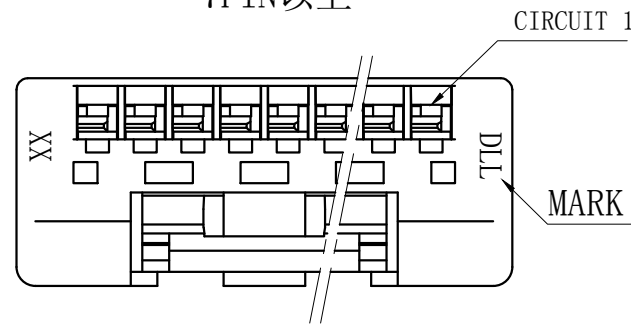
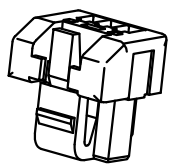
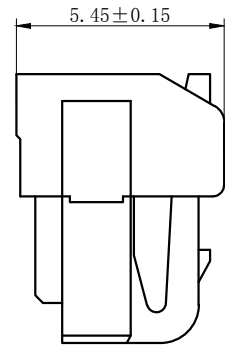
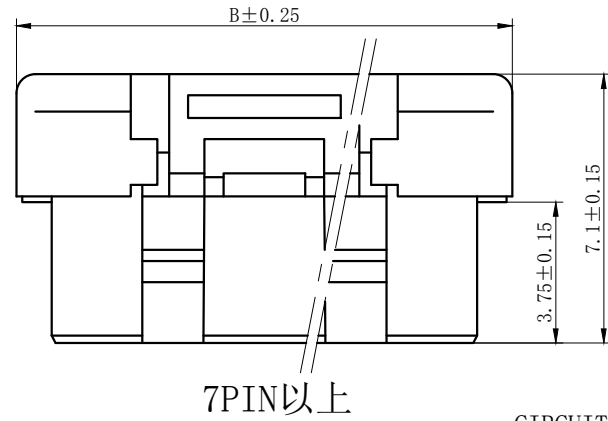
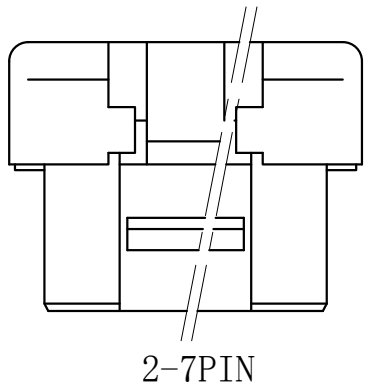
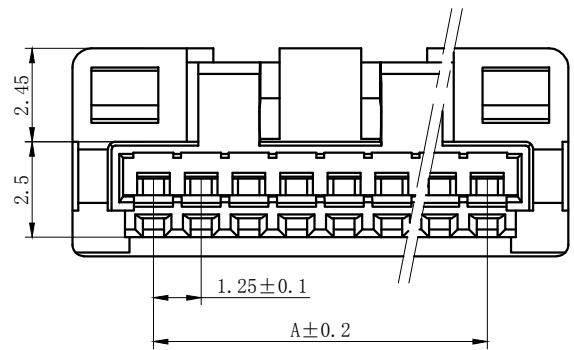
| Circuits | Type         | Dimension mm |       | Circuits | Type         | Dimension mm |       |
|----------|--------------|--------------|-------|----------|--------------|--------------|-------|
|          |              | A            | B     |          |              | A            | B     |
| 8        | 502380-8AWB  | 13.35        | 8.75  | 12       | 502380-12AWB | 18.35        | 13.75 |
| 9        | 502380-9AWB  | 14.60        | 10.00 | 13       | 502380-13AWB | 19.60        | 15.00 |
| 10       | 502380-10AWB | 15.85        | 11.25 | ~        | ~            | ~            | ~     |
| 11       | 502380-11AWB | 17.10        | 12.50 | 20       | 502380-20AWB | 28.35        | 23.75 |

|  |              |  |  |
|--|--------------|--|--|
| GENERAL TOLERANCES (UNLESS SPECIFIED)      |              | ZHE JIANG DELI CONNECTORS CO., LTD       |  |
| .X: ± 0.25                                 | X°: ± 3.0°   | PRODUCT NAME:<br>DL12504-AWB(502380-AWB) | TITLE:<br>1.25 mm Pitch<br>Wire To Board Housing |
| .XX: ± 0.15                                | .X°: ± 2.0°  | DR: Yuan Jun Rong                        | DATE:21.10.12                                    |
| .XXX: ± 0.01                               | .XX°: ± 1.0° | DATE:21.10.12                            | PART NO:<br>DL12504-XXWB-XXX-XX-X-XX             |
| FINISH:                                    |              | CHKD: Wu Hui                             | DATE:21.10.12                                    |
| DRAWING NO:<br>6C-DL12504-XXWB-XXX-XX-X-XX |              | APPD:Ren An De                           | DATE:21.10.12                                    |
|  |              | UNITS: mm                                | PAGE: 1/1  |
|  |              | REV.: A                                  |  |

|      |                      |        |      |
|------|----------------------|--------|------|
| REV. | REVISION DESCRIPTION | DATE   | APPD |
| C    | 材料变更                 | 2022.4 | 技术部  |

# NOTES

Available in 02 through 15 Circuits.  
 Material : PBT UL94V-0  
 Accepts DL12504-T Crimp Terminal.



| Circ<br>uits | Type      | Dimension mm |       | Circ<br>uits | Type       | Dimension mm |       |
|--------------|-----------|--------------|-------|--------------|------------|--------------|-------|
|              |           | A            | B     |              |            | A            | B     |
| 2            | 502380-2Y | 1.25         | 5.60  | 10           | 502380-10Y | 11.25        | 15.60 |
| 3            | 502380-3Y | 2.50         | 6.85  | 11           | 502380-11Y | 12.50        | 16.85 |
| 4            | 502380-4Y | 3.75         | 8.10  | 12           | 502380-12Y | 13.75        | 18.10 |
| 5            | 502380-5Y | 5.00         | 9.35  | 13           | 502380-13Y | 15.00        | 19.35 |
| 6            | 502380-6Y | 6.25         | 10.60 | 14           | 502380-14Y | 16.25        | 20.60 |
| 7            | 502380-7Y | 7.50         | 11.85 | 15           | 502380-15Y | 17.50        | 21.85 |
| 8            | 502380-8Y | 8.75         | 13.10 | ~            | ~          | ~            | ~     |
| 9            | 502380-9Y | 10.00        | 14.35 | 20           | 502380-20Y | 23.75        | 28.10 |

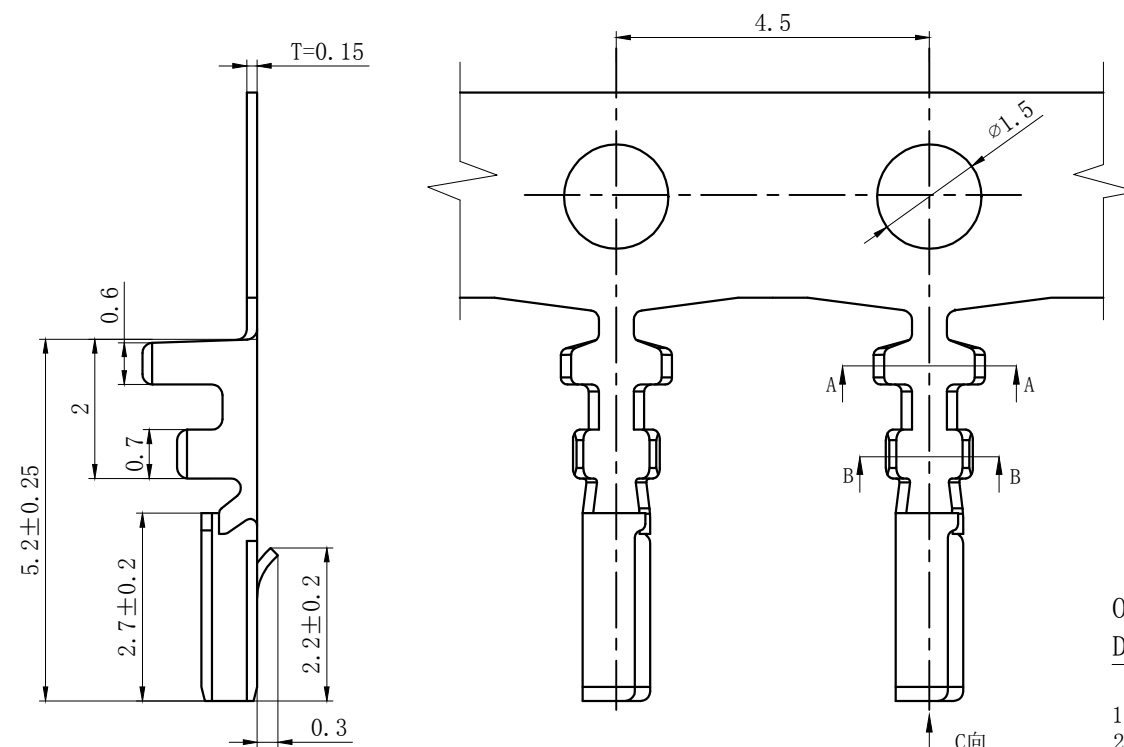
## ORDERING INFORMATION

DL12504 - XX Y - X XX - XX  
 1 2 3 4 5 6

- PART NO.
- NO. OF CIRCUIT
- CONN. TYPE
- MATERIAL: 0: PA66 V0 1: PA66 V1 2: PA66 V2  
 3: PA66 V0 750°C 4: LCP 5: PBT  
 6: PA9T 7: PA6T 8: PA66 GF
- COLOR: NA: NATURE RE: RED BR: BROWN  
 GY: GREY BK: BLACK YE: YELLOW  
 BL: BLUE GR: GREEN PU: PURPLE PI: PINK  
 OR: ORANGE TR: TRANSPARENT OT: OTHER
- SERIAL NUMBER: 00.01.02.....

|  |              |                                      |                                 |
|--|--------------|--------------------------------------|---------------------------------|
| GENERAL TOLERANCES<br>(UNLESS SPECIFIED) |              | ZHE JIANG DELI CONNECTORS CO., LTD   |                                 |
| .X: ± 0.25                               | X°: ± 3.0°   | PRODUCT NAME:<br>DL12504-Y(502380-Y) | TITLE:<br>1.25 mm Pitch Housing |
| .XX: ± 0.15                              | .X°: ± 2.0°  | DR: Yuan Jun Rong                    | DATE: 21/08/01                  |
| .XXX: ± 0.01                             | .XX°: ± 1.0° | DATE: 21/08/01                       | PART NO:<br>DL12504-XXY-XXX-XX  |
| FINISH:                                  |              | CHKD: Wu Hui                         | DATE: 21/08/01                  |
| DRAWING NO:<br>GC-DL12504-XXY-XXX-XX     |              | APPD: Ren An De                      | DATE: 21/08/01                  |
|  |              | UNITS: mm                            | PAGE: 1/1                       |
|  |              | REV.: C                              |                                 |

| REV. | REVISION DESCRIPTION | DATE | APPD |
|------|----------------------|------|------|
|      |                      |      |      |



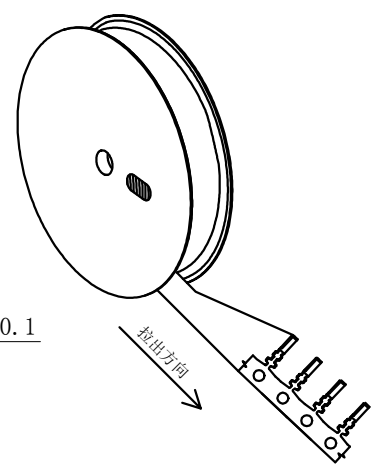
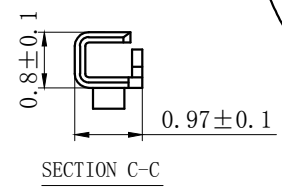
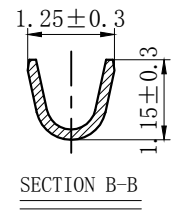
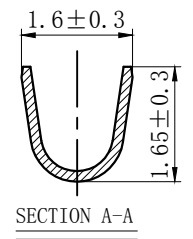
### NOTES

Used in DL12504-Y Series Housing.  
 Accepts AWG #28~26 Wire Range.  
 Insulation O.D.=0.8~1.0 mm.  
 Material : Phosphor Bronze .  
 Finish: Tin plated.  
 Qty/Reel: 12,000 PCS.  
 Thickness: 0.15 mm.

### ORDERING INFORMATION

DL12504 - T - X - X - X - XX  
 1 2 3 4 5 6

- PART NO.
- TERMINAL CODE
- MATERIAL TYPE: 1: PHOSPHOR BRONZE 2: BRASS 3: IRON  
4: STAINLESS STEEL 5: OTHER
- TECHNICS: 0: UNPLATED 1: FIRST PLATING 2: POST PLATING  
3: OTHER
- FINISH: 1: TIN-PLATED 2: MATTE PLATED 3: NICKEL BASE TIN PLATED  
4: PICKLING 5: SILVER PLATED 6: GOLD PLATED  
7: GALVANIZED 8: OTHER
- SERIAL NUMBER: 00.01.02.....



| GENERAL TOLERANCES<br>(UNLESS SPECIFIED) |              | ZHE JIANG DELI CONNECTORS CO., LTD   |                |  |            |
|--|--------------|--------------------------------------|----------------|--|------------|
| .X: ± 0.25                               | X°: ± 3.0°   | PRODUCT NAME:<br>DL12504-T(502380-T) |                | TITLE:<br>1.25mm Pitch<br>Wire To Board Crimp Terminal |            |
| .XX: ± 0.15                              | .X°: ± 2.0°  | DR: Yuan Jun Rong                    |                | PART NO:<br>DL12504-T-X-X-X-XX                         |            |
| .XXX: ± 0.01                             | .XX°: ± 1.0° | DATE: 21.10.13                       | DATE: 21.10.13 |  | SCALE: N/A |
| FINISH:                                  |              | CHKD: Wu Hiu                         | DATE: 21.10.13 | PAGE: 1/1  |            |
| DRAWING NO:<br>GC-DL12504-T-X-X-X-XX     |              | APPD: Ren An De                      | DATE: 21.10.13 | UNITS: mm  | REV.: A    |

## X-ON Electronics

Largest Supplier of Electrical and Electronic Components

*Click to view similar products for [Headers & Wire Housings](#) category:*

*Click to view products by [DLL](#) manufacturer:*

Other Similar products are found below :

[0015917161](#) [0022155065](#) [57102-F02-18ULF](#) [58102-G61-06LF](#) [582553-1](#) [01.001.5753.1](#) [0050291907](#) [02.125.8002.8](#) [609-3404](#) [61062-3](#)  
[CSU011177004](#) [622-0430](#) [622-3653LF](#) [63453-116](#) [636-1030](#) [636-1427](#) [636-3427](#) [636-4007](#) [641938-9](#) [65495-038](#) [65692-001LF](#) [65781-018](#)  
[65781-047](#) [65817-010LF](#) [65817-015LF](#) [67095-007LF](#) [67601157](#) [68631-112](#) [68645-018](#) [699319-000](#) [70.362.1628.0](#) [70-4210](#) [70-4226B](#) [70-](#)  
[4853B](#) [71.350.2428.0](#) [733-134](#) [733-162](#) [760-3052](#) [MHR-64-VUAL](#) [80.063.4001.1](#) [800-90-001-10-001000](#) [801-43-002-10-013000](#)  
[801-43-006-10-002000](#) [803-43-024-10-001000](#) [803-93-012-10-001000](#) [8-1437020-4](#) [819-22-004-30-001101](#) [820-22-006-30-001101](#)  
[820-22-008-30-001101](#) [821-22-002-10-001101](#)