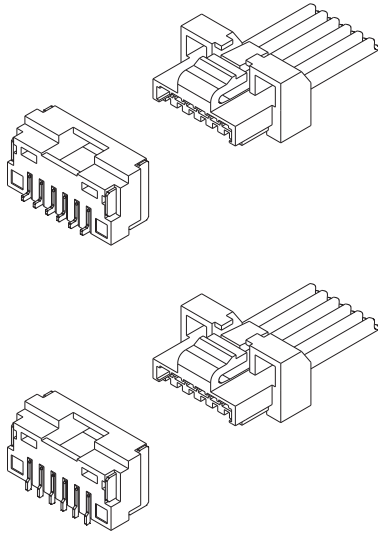
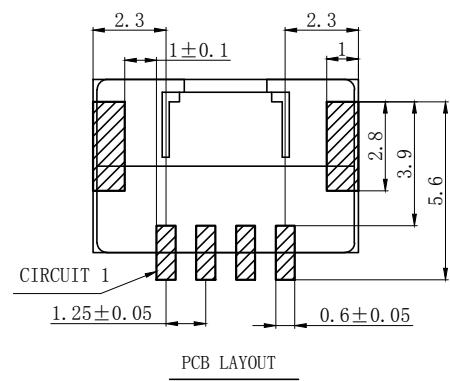
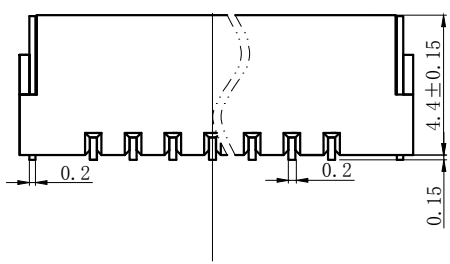
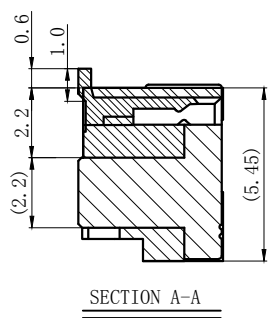
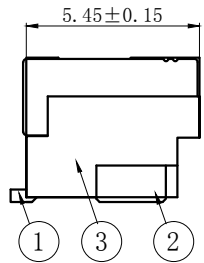
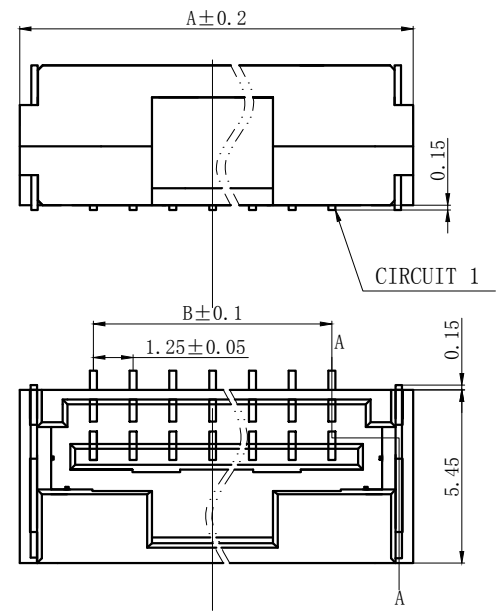


技术特性/Specifications:

额定电压 Rated voltage: 50V AC, DC
额定电流 Rated current: 1A AC, DC
接触电阻 Contact resistance: 20mΩ max
绝缘电阻 Insulation resistance: 100MΩ min
耐压 Withstand voltage: 250V AC/minute
环境温度 Ambient temperature: -25°C~+85°C
适用线规 Wire range: AWG#28~#26



| REV. | REVISION DESCRIPTION | DATE | APPD |
|------|----------------------|------|------|
| | | | |



NOTES

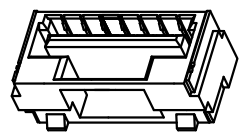
Available in 02 through 20 Circuits.
 Material : LCP UL94V-0.
 Finish: TIN Bronze ,Tin plated.
 Brass, Tin piated.
 Mates with DL12504-Y Series Housing.

ORDERING INFORMATION

DL12504 - XX B - X XX - X X - X - XX
 1 2 3 4 5 6 7 8 9

- PART NO.
- NO. OF CIRCUIT
- CONN. TYPE
- MATERIAL: 0:PA66 V0 1:PA66 V1 2:PA66 V2 3:PA66 V0 750 °C
4:LCP 5:PBT 6:PA9T 7:9A6T 8:GF PA66
- COLOR: NA:NATURE RE:RED BR:BROWN
GY:GREY BK:BLACK YE:YELLOW
BL:BLUE GR:GREEN PU:PURPLE PI:PINK
OR:ORANGE TR:TRANSPARENT OT:OTHER
- CONTACT MATERIAL: P:PHOSPHOR BRONZE B:BRASS
- FINISH: T:TIN MT:MATT TIN BG/QG:GOLD S:SILVER
- STYLE: Z:WITHOUT K K:WITH K
- SERIAL NUMBER: 00.01.02.....

| | | | | | |
|----|----|-----|-----|----|---------|
| 3 | ③ | 基座 | LCP | 1 | UL94V-0 |
| 2 | ② | 焊片 | 黄铜 | 2 | 镀锡 |
| 1 | ① | 接触件 | 磷青铜 | N* | 镀锡 |
| 序号 | 图号 | 名称 | 材料 | 数量 | 附件 |

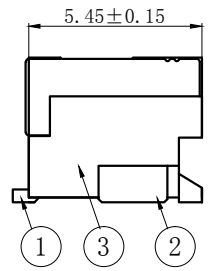
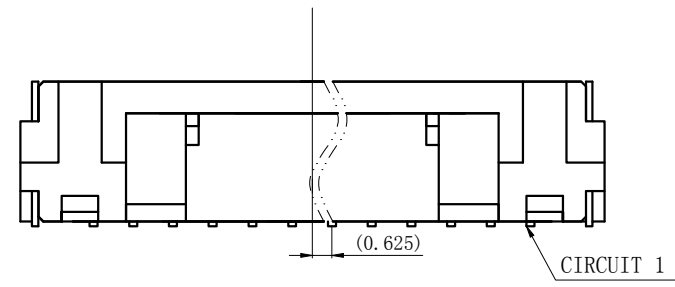


| Circuits | Type | Dimension mm | | Circuits | Type | Dimension mm | |
|----------|------------|--------------|------|----------|------------|--------------|------|
| | | A | B | | | A | B |
| 2 | 502380-2AB | 5.85 | 1.25 | 6 | 502380-6AB | 10.85 | 6.25 |
| 3 | 502380-3AB | 7.10 | 2.50 | 7 | 502380-7AB | 12.10 | 7.50 |
| 4 | 502380-4AB | 8.35 | 3.75 | | | | |
| 5 | 502380-5AB | 9.60 | 5.00 | | | | |

| GENERAL TOLERANCES (UNLESS SPECIFIED) | |
|--|--------------|
| .X: ± 0.25 | X°: ± 3.0° |
| .XX: ± 0.15 | .X°: ± 2.0° |
| .XXX: ± 0.01 | .XX°: ± 1.0° |
| FINISH: | |
| DRAWING NO: GC-DL12504-XXB-XXX-XX-X-XX | |

| ZHE JIANG DELI CONNECTORS CO., LTD | | | |
|-------------------------------------|----------------|--|-----------|
| PRODUCT NAME: DL12504-AB(502380-AB) | | TITLE: 1.25 mm Pitch Wire To Board Housing | |
| DR: Yuan Jun Rong | DATE: 21.10.12 | PART NO: DL12504-XXB-XXX-XX-X-XX | |
| CHKD: Wu Hui | DATE: 21.10.12 | SCALE: N/A | PAGE: 1/1 |
| APPD: Ren An De | DATE: 21.10.12 | UNITS: mm | REV.: A |

| REV. | REVISION DESCRIPTION | DATE | APPD |
|------|----------------------|------|------|
| | | | |



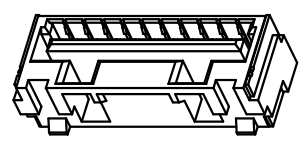
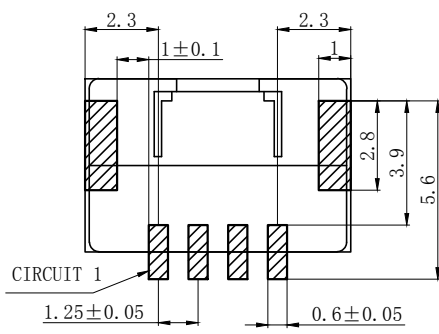
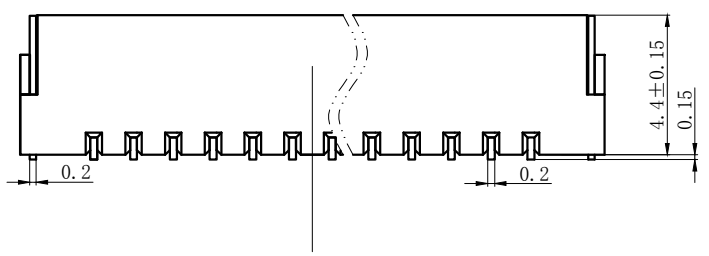
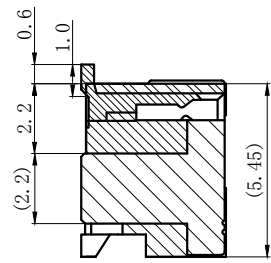
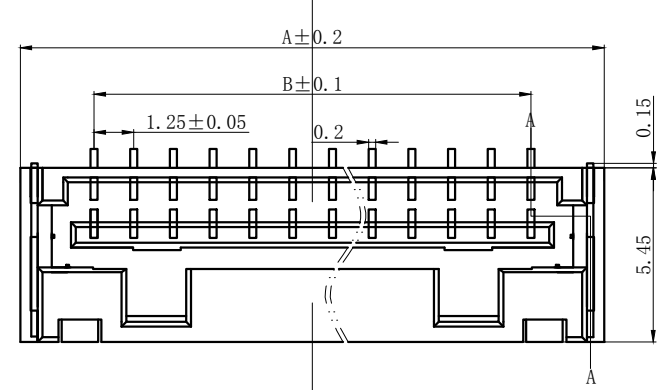
NOTES

Available in 02 through 20 Circuits.
 Material: LCP UL94V-0.
 Finish: TIN Bronze, Tin plated.
 Brass, Tin plated.
 Mates with DL12504-Y Series Housing.

ORDERING INFORMATION

DL12504 - XX B - X XX - X X - X - XX
 1 2 3 4 5 6 7 8 9

- PART NO.
- NO. OF CIRCUIT
- CONN. TYPE
- MATERIAL: 0:PA66 V0 1:PA66 V1 2:PA66 V2 3:PA66 V0 750 °C
 4:LCP 5:PBT 6:PA9T 7:9A6T 8:GF PA66
- COLOR: NA:NATURE RE:RED BR:BROWN
 GY:GREY BK:BLACK YE:YELLOW
 BL:BLUE GR:GREEN PU:PURPLE PI:PINK
 OR:ORANGE TR:TRANSPARENT OT:OTHER
- CONTACT MATERIAL: P:PHOSPHOR BRONZE B:BRASS
- FINISH: T:TIN MT:MATT TIN BG/QG:GOLD S:SILVER
- STYLE: Z:WITHOUT K K:WITH K
- SERIAL NUMBER: 00.01.02.....

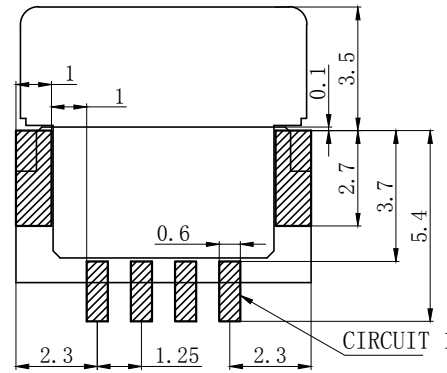
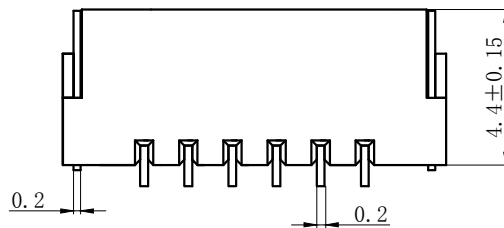
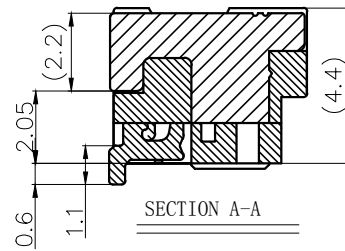
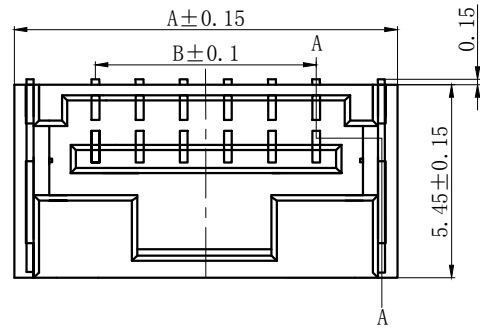
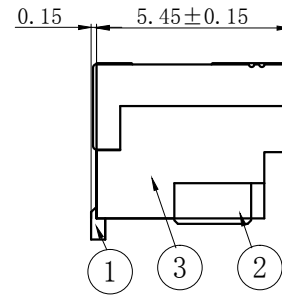
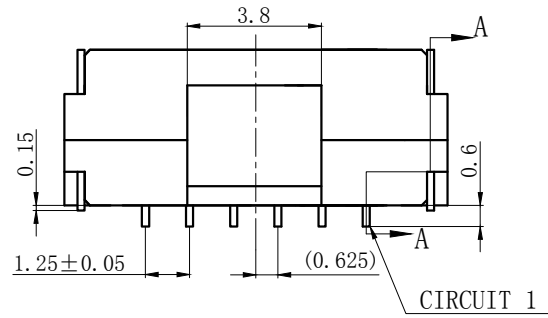


| Circuits | Type | Dimension mm | | Circuits | Type | Dimension mm | |
|----------|-------------|--------------|-------|----------|-------------|--------------|-------|
| | | A | B | | | A | B |
| 8 | 502380-8AB | 13.35 | 8.75 | 12 | 502380-12AB | 18.35 | 13.75 |
| 9 | 502380-9AB | 14.60 | 10.00 | 13 | 502380-13AB | 19.60 | 15.00 |
| 10 | 502380-10AB | 15.85 | 11.25 | ~ | ~ | ~ | ~ |
| 11 | 502380-11AB | 17.10 | 12.50 | 20 | 502380-20AB | 28.35 | 23.75 |

| | | | | | |
|----|----|-----|-----|----|---------|
| 3 | ③ | 基座 | LCP | 1 | UL94V-0 |
| 2 | ② | 焊片 | 黄铜 | 2 | 镀锡 |
| 1 | ① | 接触件 | 磷青铜 | N* | 镀锡 |
| 序号 | 图号 | 名称 | 材料 | 数量 | 附件 |

| | | | | | |
|--|--------------|---|----------------|--|-----------|
| GENERAL TOLERANCES (UNLESS SPECIFIED) | | ZHE JIANG DELI CONNECTORS CO., LTD | | | |
| .X: ± 0.25 | X°: ± 3.0° | PRODUCT NAME: DL12504-AB (502380-AB) | | TITLE: 1.25 mm Pitch Wire To Board Housing | |
| .XX: ± 0.15 | .X°: ± 2.0° | DR: Yuan Jun Rong | DATE: 21.10.12 | PART NO: DL12504-XXB-XXX-XX-X-XX | |
| .XXX: ± 0.01 | .XX°: ± 1.0° | CHKD: Wu Hui | DATE: 21.10.12 | SCALE: N/A | PAGE: 1/1 |
| FINISH: | | APPD: Ren An De | DATE: 21.10.12 | UNITS: mm | REV.: A |
| DRAWING NO: GC-DL12504-XXB-XXX-XX-X-XX | | | | | |

| REV. | REVISION DESCRIPTION | DATE | APPD |
|------|----------------------|------|------|
| | | | |



NOTES

Available in 02 through 20 Circuits.

Material : LCP UL94V-0.

Finish: TIN Bronze , Tin plated.
Brass, Tin piated.

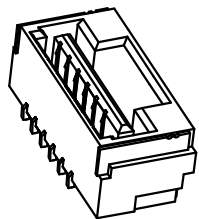
Mates with DL12504-Y Series Housing.

ORDERING INFORMATION

DL12504 - XX WB - X XX - X X - X - XX
1 2 3 4 5 6 7 8 9

- PART NO.
- NO. OF CIRCUIT
- CONN. TYPE
- MATERIAL: 0:PA66 V0 1:PA66 V1 2:PA66 V2 3:PA66 V0 750 °C
4:LCP 5:PBT 6:PA9T 7:9A6T 8:GF PA66
- COLOR: NA:NATURE RE:RED BR:BROWN
GY:GREY BK:BLACK YE:YELLOW
BL:BLUE GR:GREEN PU:PURPLE PI:PINK
OR:ORANGE TR:TRANSPARENT OT:OTHER
- CONTACT MATERIAL: P:PHOSPHOR BRONZE B:BRASS
- FINISH: T:TIN MT:MATT TIN BG/QG:GOLD S:SILVER
- STYLE: Z:WITHOUT K K:WITH K
- SERIAL NUMBER: 00.01.02.....

| | | | | | |
|----|----|-----|-----|----|---------|
| 3 | ③ | 基座 | LCP | 1 | UL94V-0 |
| 2 | ② | 焊片 | 黄铜 | 2 | 镀锡 |
| 1 | ① | 接触件 | 磷青铜 | N* | 镀锡 |
| 序号 | 图号 | 名称 | 材料 | 数量 | 附件 |



| Circuits | Type | Dimension mm | | Circuits | Type | Dimension mm | |
|----------|-------------|--------------|------|----------|-------------|--------------|------|
| | | A | B | | | A | B |
| 2 | 502380-2AWB | 5.85 | 1.25 | 6 | 502380-6AWB | 10.85 | 6.25 |
| 3 | 502380-3AWB | 7.10 | 2.50 | 7 | 502380-7AWB | 12.10 | 7.50 |
| 4 | 502380-4AWB | 8.35 | 3.75 | | | | |
| 5 | 502380-5AWB | 9.60 | 5.00 | | | | |

GENERAL TOLERANCES (UNLESS SPECIFIED)

| | |
|--------------|-----------------------------|
| .X: ± 0.25 | X°: ± 3.0° |
| .XX: ± 0.15 | .X°: ± 2.0° |
| .XXX: ± 0.01 | .XX°: ± 1.0° |
| FINISH: | |
| DRAWING NO: | GC-DL12504-XXWB-XXX-XX-X-XX |

ZHE JIANG DELI CONNECTORS CO., LTD

| | |
|--|--|
| PRODUCT NAME: DL12504-AWB(502380-AWB) | TITLE: 1.25 mm Pitch Wire To Board Housing |
| DR: Yuan Jun Rong DATE:21.10.12 | PART NO: DL12504-XXWB-XXX-XX-X-XX |
| CHKD: Wu Hui DATE:21.10.12 | SCALE: N/A PAGE: 1/1 |
| APPD:Ren An De DATE:21.10.12 | UNITS: mm REV.: A |

| REV. | REVISION DESCRIPTION | DATE | APPD |
|------|----------------------|------|------|
| | | | |

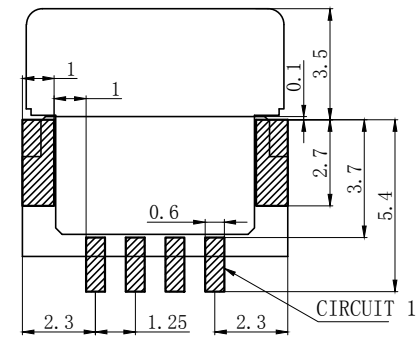
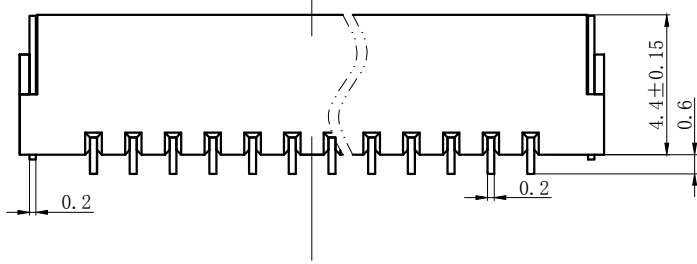
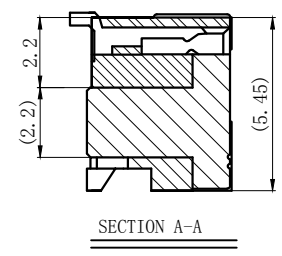
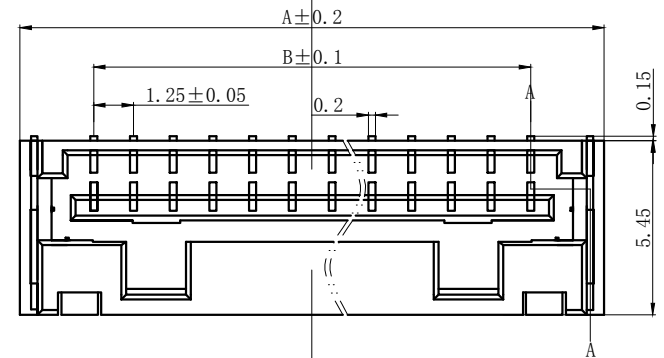
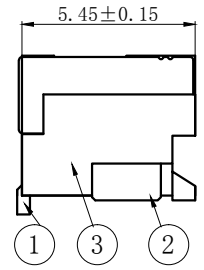
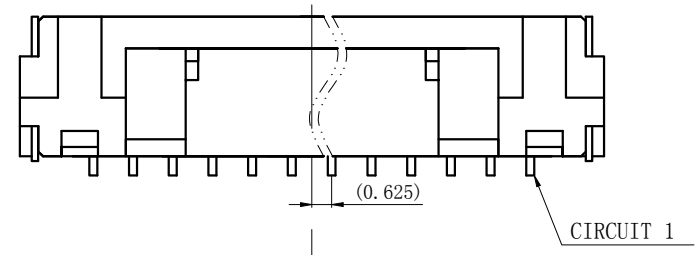
NOTES

Available in 02 through 20 Circuits.
 Material : LCP UL94V-0.
 Finish: TIN Bronze ,Tin plated.
 Brass, Tin plated.
 Mates with DL12504-Y Series Housing.

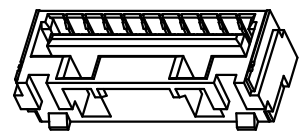
ORDERING INFORMATION

DL12504 - XX WB - X XX - X X - X - XX
 1 2 3 4 5 6 7 8 9

- PART NO.
- NO. OF CIRCUIT
- CONN. TYPE
- MATERIAL: 0:PA66 V0 1:PA66 V1 2:PA66 V2 3:PA66 V0 750 °C
 4:LCP 5:PBT 6:PA9T 7:9A6T 8:GF PA66
- COLOR: NA:NATURE RE:RED BR:BROWN
 GY:GREY BK:BLACK YE:YELLOW
 BL:BLUE GR:GREEN PU:PURPLE PI:PINK
 OR:ORANGE TR:TRANSPARENT OT:OTHER
- CONTACT MATERIAL: P:PHOSPHOR BRONZE B:BRASS
- FINISH: T:TIN MT:MATT TIN BG/QG:GOLD S:SILVER
- STYLE: Z:WITHOUT K K:WITH K
- SERIAL NUMBER: 00.01.02.....



| | | | | | |
|----|----|-----|-----|----|---------|
| 3 | ③ | 基座 | LCP | 1 | UL94V-0 |
| 2 | ② | 焊片 | 黄铜 | 2 | 镀锡 |
| 1 | ① | 接触件 | 磷青铜 | N* | 镀锡 |
| 序号 | 图号 | 名称 | 材料 | 数量 | 附件 |



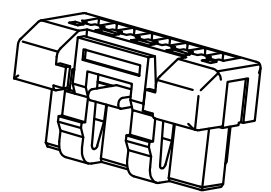
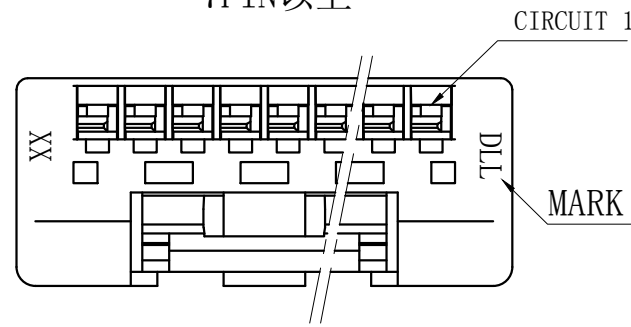
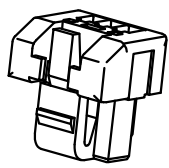
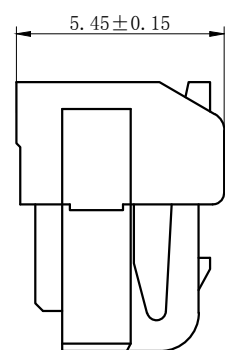
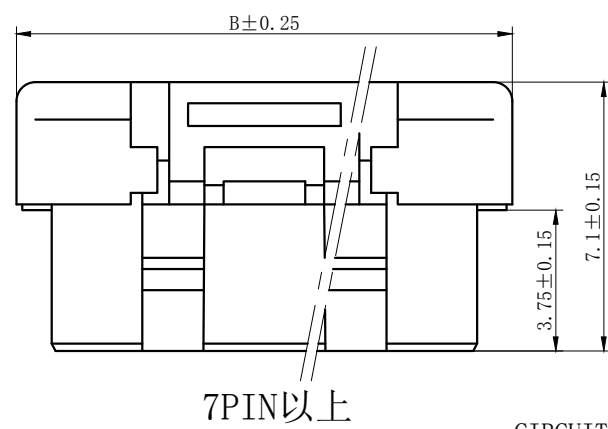
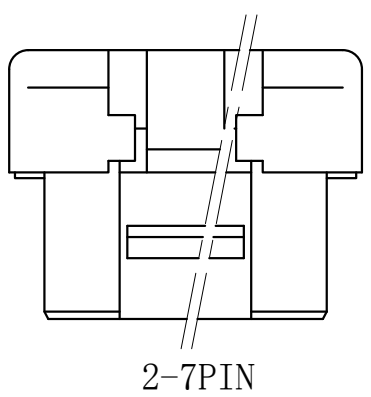
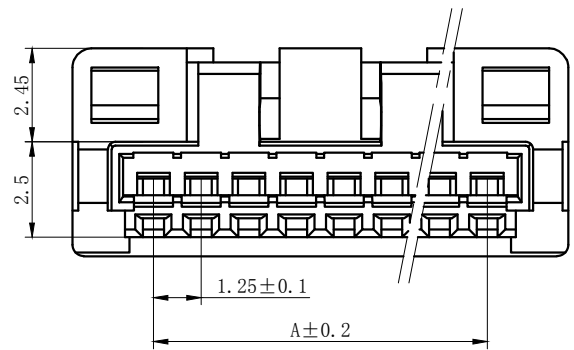
| Circuits | Type | Dimension mm | | Circuits | Type | Dimension mm | |
|----------|--------------|--------------|-------|----------|--------------|--------------|-------|
| | | A | B | | | A | B |
| 8 | 502380-8AWB | 13.35 | 8.75 | 12 | 502380-12AWB | 18.35 | 13.75 |
| 9 | 502380-9AWB | 14.60 | 10.00 | 13 | 502380-13AWB | 19.60 | 15.00 |
| 10 | 502380-10AWB | 15.85 | 11.25 | ~ | ~ | ~ | ~ |
| 11 | 502380-11AWB | 17.10 | 12.50 | 20 | 502380-20AWB | 28.35 | 23.75 |

| | | | | | |
|---|--------------|------------------------------------|-------------------------------------|-----------------------------------|-----------|
| GENERAL TOLERANCES (UNLESS SPECIFIED) | | ZHE JIANG DELI CONNECTORS CO., LTD | | | |
| .X: ± 0.25 | X°: ± 3.0° | PRODUCT NAME: | DL12504-AWB(502380-AWB) | | |
| .XX: ± 0.15 | .X°: ± 2.0° | TITLE: | 1.25 mm Pitch Wire To Board Housing | | |
| .XXX: ± 0.01 | .XX°: ± 1.0° | DR: Yuan Jun Rong | DATE:21.10.12 | PART NO: DL12504-XXWB-XXX-XX-X-XX | |
| FINISH: | | CHKD: Wu Hui | DATE:21.10.12 | SCALE: N/A | PAGE: 1/1 |
| DRAWING NO: GC-DL12504-XXWB-XXX-XX-X-XX | | APPD:Ren An De | DATE:21.10.12 | UNITS: mm | REV.: A |

| | | | |
|------|----------------------|--------|------|
| REV. | REVISION DESCRIPTION | DATE | APPD |
| C | 材料变更 | 2022.4 | 技术部 |

NOTES

Available in 02 through 15 Circuits.
 Material : PBT UL94V-0
 Accepts DL12504-T Crimp Terminal.



ORDERING INFORMATION

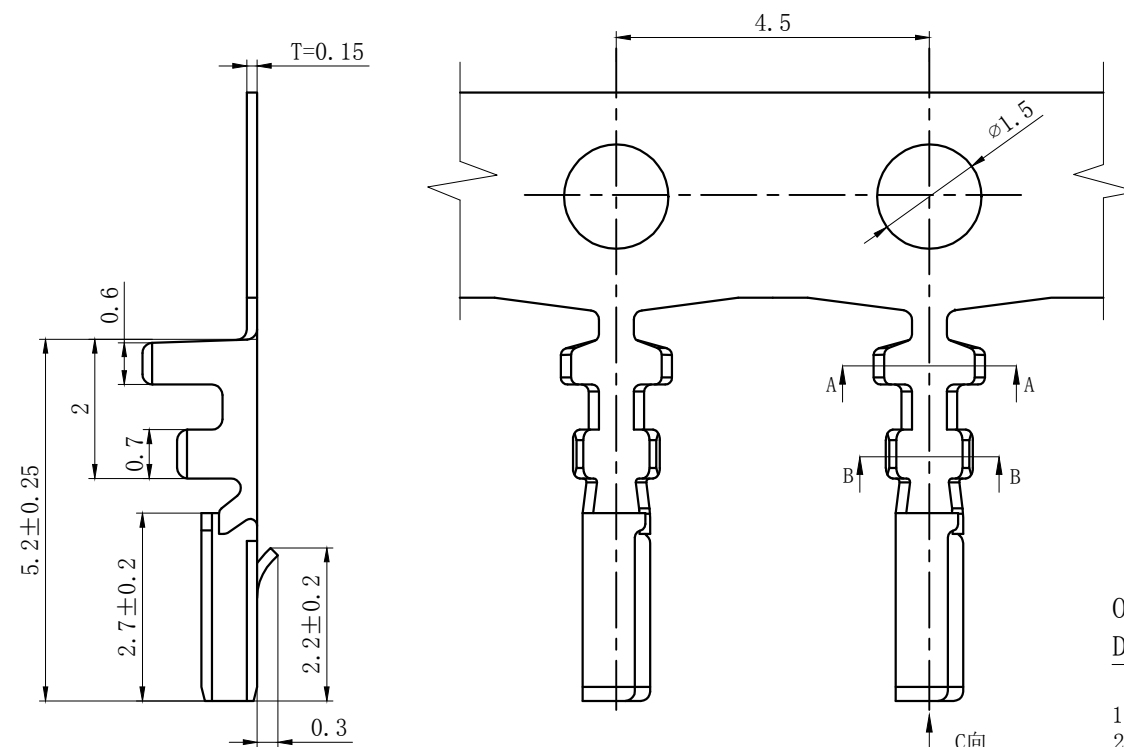
DL12504 - XX Y - X XX - XX
 1 2 3 4 5 6

- PART NO.
- NO. OF CIRCUIT
- CONN. TYPE
- MATERIAL: 0: PA66 V0 1: PA66 V1 2: PA66 V2
 3: PA66 V0 750°C 4: LCP 5: PBT
 6: PA9T 7: PA6T 8: PA66 GF
- COLOR: NA: NATURE RE: RED BR: BROWN
 GY: GREY BK: BLACK YE: YELLOW
 BL: BLUE GR: GREEN PU: PURPLE PI: PINK
 OR: ORANGE TR: TRANSPARENT OT: OTHER
- SERIAL NUMBER: 00.01.02.....

| Circ uits | Type | Dimension mm | | Circ uits | Type | Dimension mm | |
|--------------|-----------|--------------|-------|--------------|------------|--------------|-------|
| | | A | B | | | A | B |
| 2 | 502380-2Y | 1.25 | 5.60 | 10 | 502380-10Y | 11.25 | 15.60 |
| 3 | 502380-3Y | 2.50 | 6.85 | 11 | 502380-11Y | 12.50 | 16.85 |
| 4 | 502380-4Y | 3.75 | 8.10 | 12 | 502380-12Y | 13.75 | 18.10 |
| 5 | 502380-5Y | 5.00 | 9.35 | 13 | 502380-13Y | 15.00 | 19.35 |
| 6 | 502380-6Y | 6.25 | 10.60 | 14 | 502380-14Y | 16.25 | 20.60 |
| 7 | 502380-7Y | 7.50 | 11.85 | 15 | 502380-15Y | 17.50 | 21.85 |
| 8 | 502380-8Y | 8.75 | 13.10 | ~ | ~ | ~ | ~ |
| 9 | 502380-9Y | 10.00 | 14.35 | 20 | 502380-20Y | 23.75 | 28.10 |

| | | | |
|--|--------------|--------------------------------------|---------------------------------|
| GENERAL TOLERANCES (UNLESS SPECIFIED) | | ZHE JIANG DELI CONNECTORS CO., LTD | |
| .X: ± 0.25 | X°: ± 3.0° | PRODUCT NAME: DL12504-Y(502380-Y) | TITLE: 1.25 mm Pitch Housing |
| .XX: ± 0.15 | .X°: ± 2.0° | DR: Yuan Jun Rong | DATE: 21/08/01 |
| .XXX: ± 0.01 | .XX°: ± 1.0° | DATE: 21/08/01 | PART NO: DL12504-XXY-XXX-XX |
| FINISH: | | CHKD: Wu Hui | DATE: 21/08/01 |
| DRAWING NO: GC-DL12504-XXY-XXX-XX | | APPD: Ren An De | DATE: 21/08/01 |
| | | UNITS: mm | PAGE: 1/1 |
| | | REV.: C | |

| REV. | REVISION DESCRIPTION | DATE | APPD |
|------|----------------------|------|------|
| | | | |



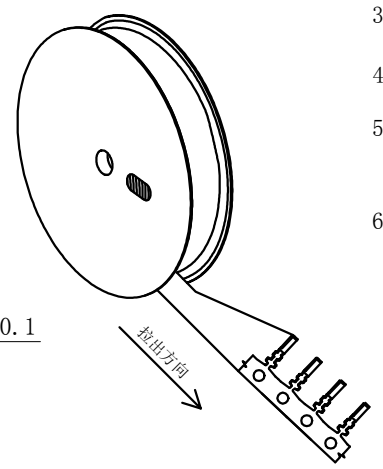
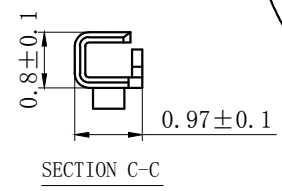
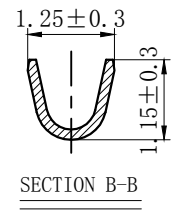
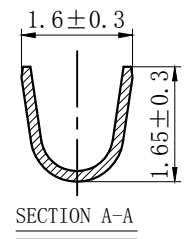
NOTES

Used in DL12504-Y Series Housing.
 Accepts AWG #28~26 Wire Range.
 Insulation O.D.=0.8~1.0 mm.
 Material : Phosphor Bronze .
 Finish: Tin plated.
 Qty/Reel: 12,000 PCS.
 Thickness: 0.15 mm.

ORDERING INFORMATION

DL12504 - T - X - X - X - XX
 1 2 3 4 5 6

- PART NO.
- TERMINAL CODE
- MATERIAL TYPE: 1: PHOSPHOR BRONZE 2: BRASS 3: IRON
4: STAINLESS STEEL 5: OTHER
- TECHNICS: 0: UNPLATED 1: FIRST PLATING 2: POST PLATING
3: OTHER
- FINISH: 1: TIN-PLATED 2: MATTE PLATED 3: NICKEL BASE TIN PLATED
4: PICKLING 5: SILVER PLATED 6: GOLD PLATED
7: GALVANIZED 8: OTHER
- SERIAL NUMBER: 00.01.02.....



| GENERAL TOLERANCES (UNLESS SPECIFIED) | | ZHE JIANG DELI CONNECTORS CO., LTD | | | |
|--|--------------|--------------------------------------|----------------|--|------------|
| .X: ± 0.25 | X°: ± 3.0° | PRODUCT NAME: DL12504-T(502380-T) | | TITLE: 1.25mm Pitch Wire To Board Crimp Terminal | |
| .XX: ± 0.15 | .X°: ± 2.0° | DR: Yuan Jun Rong | | PART NO: DL12504-T-X-X-X-XX | |
| .XXX: ± 0.01 | .XX°: ± 1.0° | DATE: 21.10.13 | DATE: 21.10.13 | | SCALE: N/A |
| FINISH: | | CHKD: Wu Hiu | DATE: 21.10.13 | | PAGE: 1/1 |
| DRAWING NO: GC-DL12504-T-X-X-X-XX | | APPD: Ren An De | DATE: 21.10.13 | | UNITS: mm |
| | | | | | REV.: A |

X-ON Electronics

Largest Supplier of Electrical and Electronic Components

Click to view similar products for [Headers & Wire Housings](#) category:

Click to view products by [DLL](#) manufacturer:

Other Similar products are found below :

[0015917161](#) [0022155065](#) [57102-F02-18ULF](#) [58102-G61-06LF](#) [582553-1](#) [01.001.5753.1](#) [0050291907](#) [02.125.8002.8](#) [609-3404](#) [61062-3](#)
[CSU011177004](#) [622-0430](#) [622-3653LF](#) [63453-116](#) [636-1030](#) [636-1427](#) [636-3427](#) [636-4007](#) [641938-9](#) [65495-038](#) [65692-001LF](#) [65781-018](#)
[65781-047](#) [65817-010LF](#) [65817-015LF](#) [67095-007LF](#) [67601157](#) [68631-112](#) [68645-018](#) [699319-000](#) [70.362.1628.0](#) [70-4210](#) [70-4226B](#) [70-](#)
[4853B](#) [71.350.2428.0](#) [733-134](#) [733-162](#) [760-3052](#) [MHR-64-VUAL](#) [80.063.4001.1](#) [800-90-001-10-001000](#) [801-43-002-10-013000](#)
[801-43-006-10-002000](#) [803-43-024-10-001000](#) [803-93-012-10-001000](#) [8-1437020-4](#) [819-22-004-30-001101](#) [820-22-006-30-001101](#)
[820-22-008-30-001101](#) [821-22-002-10-001101](#)