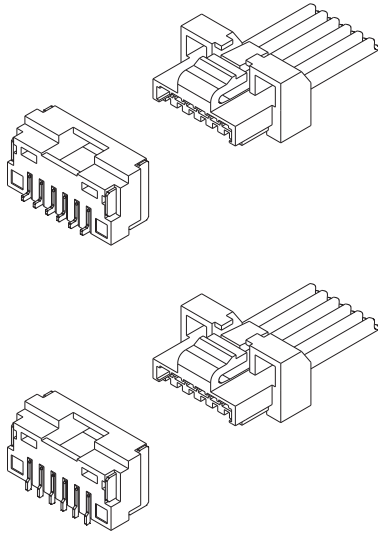
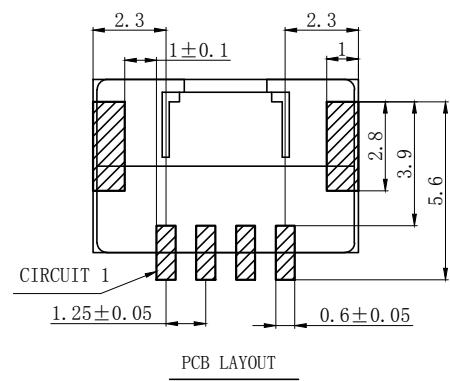
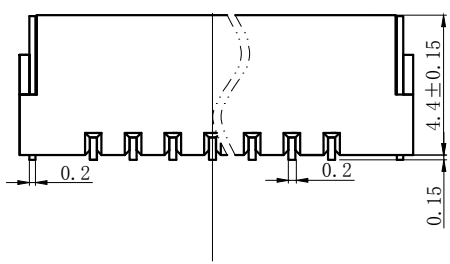
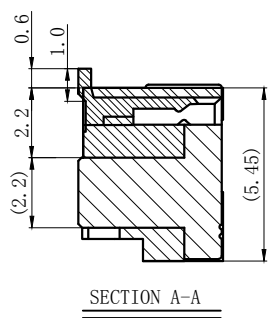
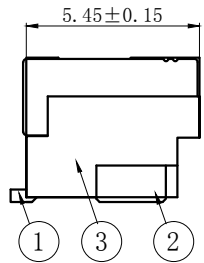
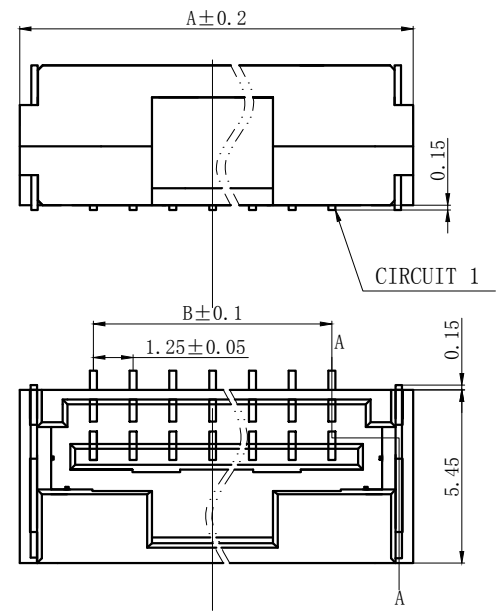


技术特性/Specifications:

额定电压 Rated voltage: 50V AC, DC
额定电流 Rated current: 1A AC, DC
接触电阻 Contact resistance: 20m Ω max
绝缘电阻 Insulation resistance: 100M Ω min
耐压 Withstand voltage: 250V AC/minute
环境温度 Ambient temperature: -25 $^{\circ}$ C~+85 $^{\circ}$ C
适用线规 Wire range: AWG#28~#26



REV.	REVISION DESCRIPTION	DATE	APPD



NOTES

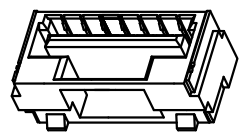
Available in 02 through 20 Circuits.
 Material : LCP UL94V-0.
 Finish: TIN Bronze ,Tin plated.
 Brass, Tin piated.
 Mates with DL12504-Y Series Housing.

ORDERING INFORMATION

DL12504 - XX B - X XX - X X - X - XX
 1 2 3 4 5 6 7 8 9

- PART NO.
- . NO. OF CIRCUIT
- CONN. TYPE
- MATERIAL: 0:PA66 V0 1:PA66 V1 2:PA66 V2 3:PA66 V0 750 °C
4:LCP 5:PBT 6:PA9T 7:9A6T 8:GF PA66
- COLOR: NA:NATURE RE:RED BR:BROWN
GY:GREY BK:BLACK YE:YELLOW
BL:BLUE GR:GREEN PU:PURPLE PI:PINK
OR:ORANGE TR:TRANSPARENT OT:OTHER
- CONTACT MATERIAL: P:PHOSPHOR BRONZE B:BRASS
- FINISH: T:TIN MT:MATT TIN BG/QG:GOLD S:SILVER
- STYLE: Z:WITHOUT K K:WITH K
- SERIAL NUMBER: 00.01.02.....

3	③	基座	LCP	1	UL94V-0
2	②	焊片	黄铜	2	镀锡
1	①	接触件	磷青铜	N*	镀锡
序号	图号	名称	材料	数量	附件

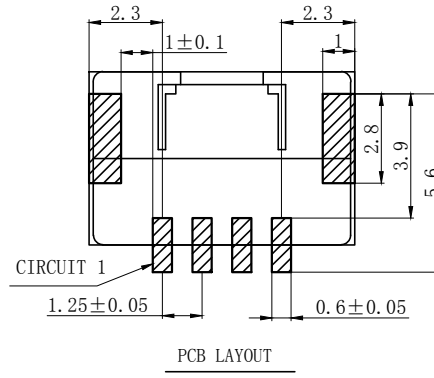
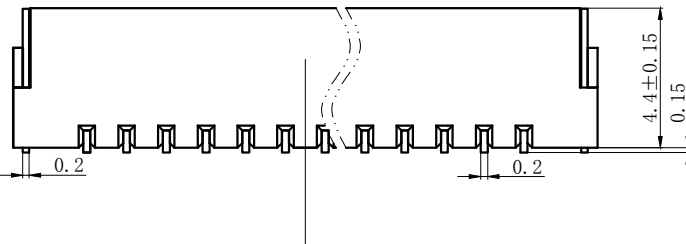
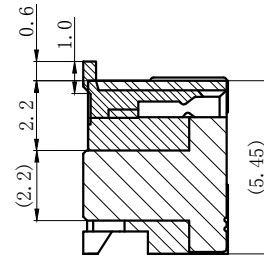
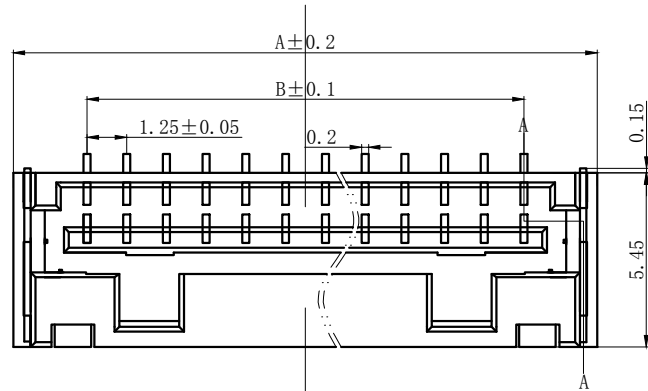
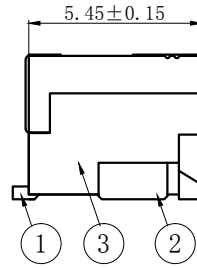
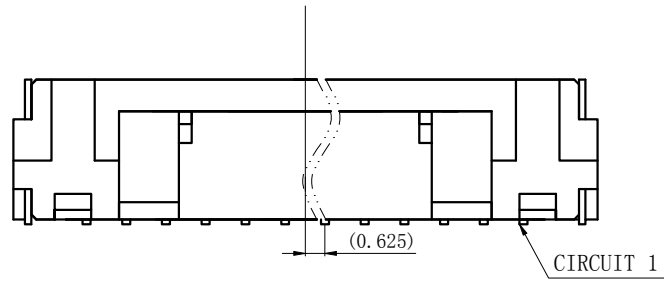


Circuits	Type	Dimension mm		Circuits	Type	Dimension mm	
		A	B			A	B
2	502380-2AB	5.85	1.25	6	502380-6AB	10.85	6.25
3	502380-3AB	7.10	2.50	7	502380-7AB	12.10	7.50
4	502380-4AB	8.35	3.75				
5	502380-5AB	9.60	5.00				

GENERAL TOLERANCES (UNLESS SPECIFIED)	
.X: ± 0.25	X°: ± 3.0°
.XX: ± 0.15	.X°: ± 2.0°
.XXX: ± 0.01	.XX°: ± 1.0°
FINISH:	
DRAWING NO: GC-DL12504-XXB-XXX-XX-X-XX	

ZHE JIANG DELI CONNECTORS CO., LTD			
PRODUCT NAME: DL12504-AB(502380-AB)		TITLE: 1.25 mm Pitch Wire To Board Housing	
DR: Yuan Jun Rong	DATE: 21.10.12	PART NO: DL12504-XXB-XXX-XX-X-XX	
CHKD: Wu Hui	DATE: 21.10.12	SCALE: N/A	PAGE: 1/1
APPD: Ren An De	DATE: 21.10.12	UNITS: mm	REV.: A

REV.	REVISION DESCRIPTION	DATE	APPD



NOTES

Available in 02 through 20 Circuits.
 Material : LCP UL94V-0.
 Finish: TIN Bronze, Tin plated.
 Brass, Tin plated.
 Mates with DL12504-Y Series Housing.

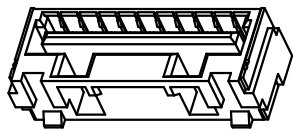
ORDERING INFORMATION

DL12504 - XX B - X XX - X X - X - XX
 1 2 3 4 5 6 7 8 9

- PART NO.
- NO. OF CIRCUIT
- CONN. TYPE
- MATERIAL: 0:PA66 V0 1:PA66 V1 2:PA66 V2 3:PA66 V0 750 °C
 4:LCP 5:PBT 6:PA9T 7:9A6T 8:GF PA66
- COLOR: NA:NATURE RE:RED BR:BROWN
 GY:GREY BK:BLACK YE:YELLOW
 BL:BLUE GR:GREEN PU:PURPLE PI:PINK
 OR:ORANGE TR:TRANSPARENT OT:OTHER
- CONTACT MATERIAL: P:PHOSPHOR BRONZE B:BRASS
- FINISH: T:TIN MT:MATT TIN BG/QG:GOLD S:SILVER
- STYLE: Z:WITHOUT K K:WITH K
- SERIAL NUMBER: 00.01.02.....

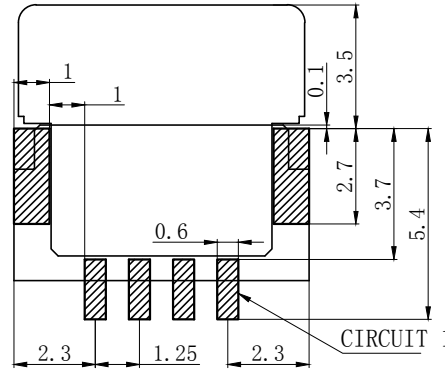
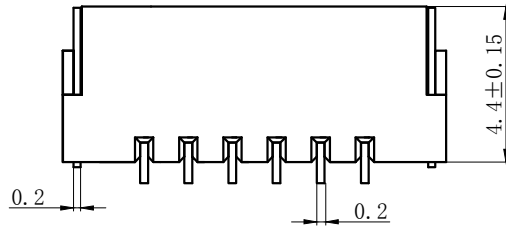
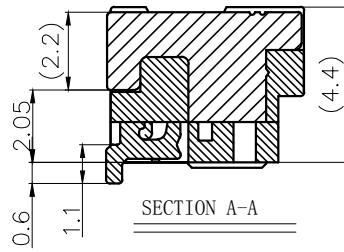
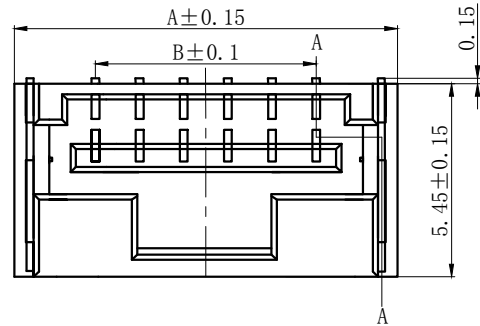
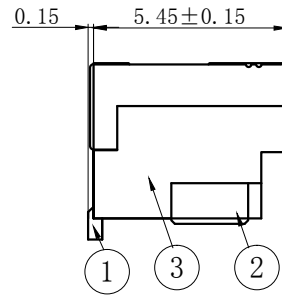
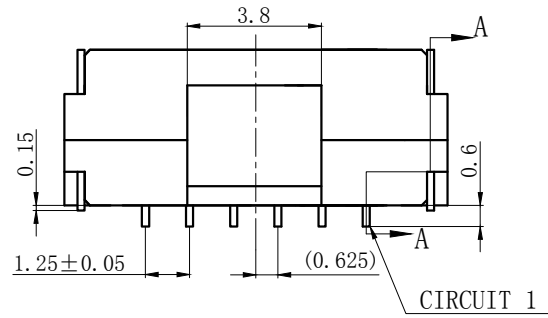
3	③	基座	LCP	1	UL94V-0
2	②	焊片	黄铜	2	镀锡
1	①	接触件	磷青铜	N*	镀锡
序号	图号	名称	材料	数量	附件

Circuits	Type	Dimension mm		Circuits	Type	Dimension mm	
		A	B			A	B
8	502380-8AB	13.35	8.75	12	502380-12AB	18.35	13.75
9	502380-9AB	14.60	10.00	13	502380-13AB	19.60	15.00
10	502380-10AB	15.85	11.25	~	~	~	~
11	502380-11AB	17.10	12.50	20	502380-20AB	28.35	23.75



GENERAL TOLERANCES (UNLESS SPECIFIED)		ZHE JIANG DELI CONNECTORS CO., LTD			
.X: ± 0.25	X°: ± 3.0°	PRODUCT NAME: DL12504-AB (502380-AB)		TITLE: 1.25 mm Pitch Wire To Board Housing	
.XX: ± 0.15	.X°: ± 2.0°	DR: Yuan Jun Rong	DATE: 21.10.12	PART NO: DL12504-XXB-XXX-XX-X-XX	
.XXX: ± 0.01	.XX°: ± 1.0°	CHKD: Wu Hui	DATE: 21.10.12	SCALE: N/A	PAGE: 1/1
FINISH:		APPD: Ren An De	DATE: 21.10.12	UNITS: mm	REV.: A
DRAWING NO: GC-DL12504-XXB-XXX-XX-X-XX					

REV.	REVISION DESCRIPTION	DATE	APPD



NOTES

Available in 02 through 20 Circuits.

Material : LCP UL94V-0.

Finish: TIN Bronze , Tin plated.
Brass, Tin piated.

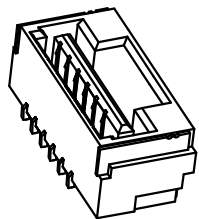
Mates with DL12504-Y Series Housing.

ORDERING INFORMATION

DL12504 - XX WB - X XX - X X - X - XX
1 2 3 4 5 6 7 8 9

- PART NO.
- NO. OF CIRCUIT
- CONN. TYPE
- MATERIAL: 0:PA66 V0 1:PA66 V1 2:PA66 V2 3:PA66 V0 750 °C
4:LCP 5:PBT 6:PA9T 7:9A6T 8:GF PA66
- COLOR: NA:NATURE RE:RED BR:BROWN
GY:GREY BK:BLACK YE:YELLOW
BL:BLUE GR:GREEN PU:PURPLE PI:PINK
OR:ORANGE TR:TRANSPARENT OT:OTHER
- CONTACT MATERIAL: P:PHOSPHOR BRONZE B:BRASS
- FINISH: T:TIN MT:MATT TIN BG/QG:GOLD S:SILVER
- STYLE: Z:WITHOUT K K:WITH K
- SERIAL NUMBER: 00.01.02.....

3	③	基座	LCP	1	UL94V-0
2	②	焊片	黄铜	2	镀锡
1	①	接触件	磷青铜	N*	镀锡
序号	图号	名称	材料	数量	附件



Circuits	Type	Dimension mm		Circuits	Type	Dimension mm	
		A	B			A	B
2	502380-2AWB	5.85	1.25	6	502380-6AWB	10.85	6.25
3	502380-3AWB	7.10	2.50	7	502380-7AWB	12.10	7.50
4	502380-4AWB	8.35	3.75				
5	502380-5AWB	9.60	5.00				

GENERAL TOLERANCES (UNLESS SPECIFIED)

.X: ± 0.25	X°: ± 3.0°
.XX: ± 0.15	.X°: ± 2.0°
.XXX: ± 0.01	.XX°: ± 1.0°
FINISH:	
DRAWING NO:	GC-DL12504-XXWB-XXX-XX-X-XX

ZHE JIANG DELI CONNECTORS CO., LTD

PRODUCT NAME: DL12504-AWB(502380-AWB)	TITLE: 1.25 mm Pitch Wire To Board Housing
DR: Yuan Jun Rong DATE:21.10.12	PART NO: DL12504-XXWB-XXX-XX-X-XX
CHKD: Wu Hui DATE:21.10.12	SCALE: N/A PAGE: 1/1
APPD:Ren An De DATE:21.10.12	UNITS: mm REV.: A

REV.	REVISION DESCRIPTION	DATE	APPD

NOTES

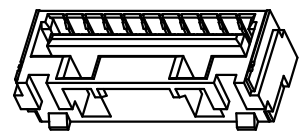
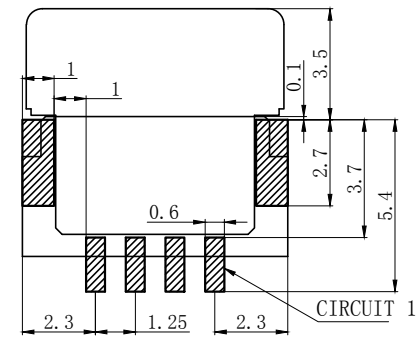
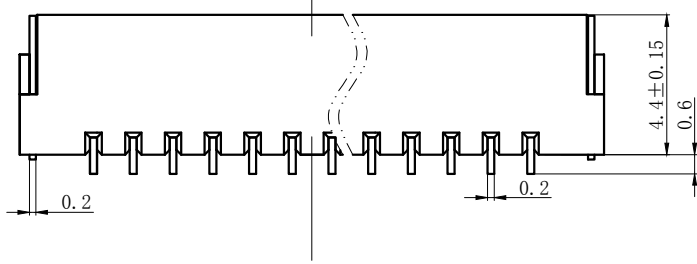
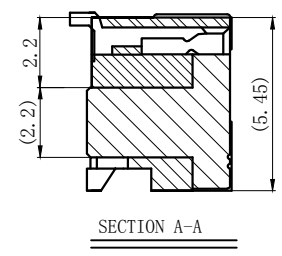
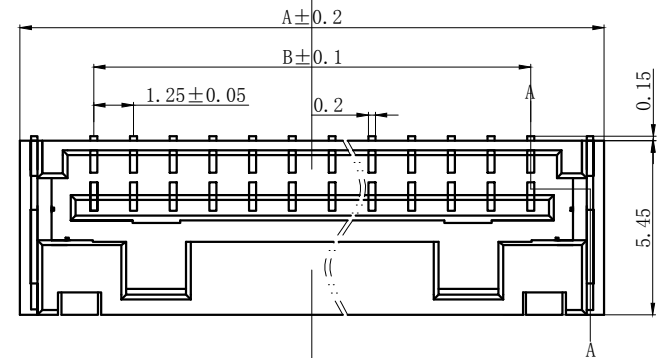
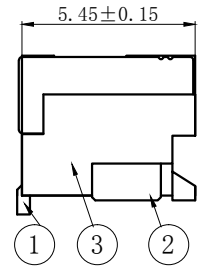
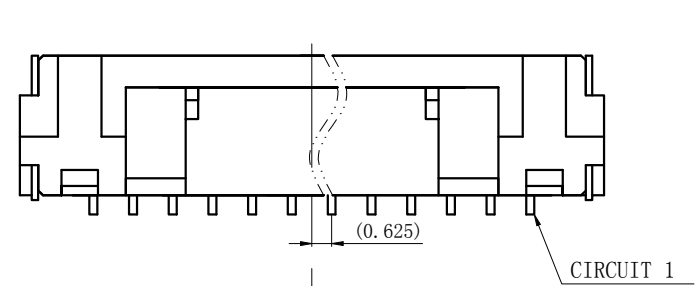
Available in 02 through 20 Circuits.
 Material : LCP UL94V-0.
 Finish: TIN Bronze ,Tin plated.
 Brass, Tin plated.
 Mates with DL12504-Y Series Housing.

ORDERING INFORMATION

DL12504 - XX WB - X XX - X X - X - XX
 1 2 3 4 5 6 7 8 9

- PART NO.
- NO. OF CIRCUIT
- CONN. TYPE
- MATERIAL: 0:PA66 V0 1:PA66 V1 2:PA66 V2 3:PA66 V0 750 °C
4:LCP 5:PBT 6:PA9T 7:9A6T 8:GF PA66
- COLOR: NA:NATURE RE:RED BR:BROWN
GY:GREY BK:BLACK YE:YELLOW
BL:BLUE GR:GREEN PU:PURPLE PI:PINK
OR:ORANGE TR:TRANSPARENT OT:OTHER
- CONTACT MATERIAL: P:PHOSPHOR BRONZE B:BRASS
- FINISH: T:TIN MT:MATT TIN BG/QG:GOLD S:SILVER
- STYLE: Z:WITHOUT K K:WITH K
- SERIAL NUMBER: 00.01.02.....

3	③	基座	LCP	1	UL94V-0
2	②	焊片	黄铜	2	镀锡
1	①	接触件	磷青铜	N*	镀锡
序号	图号	名称	材料	数量	附件



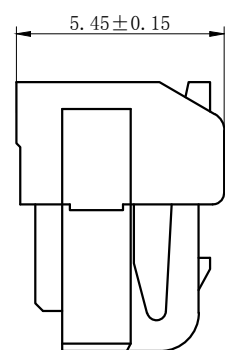
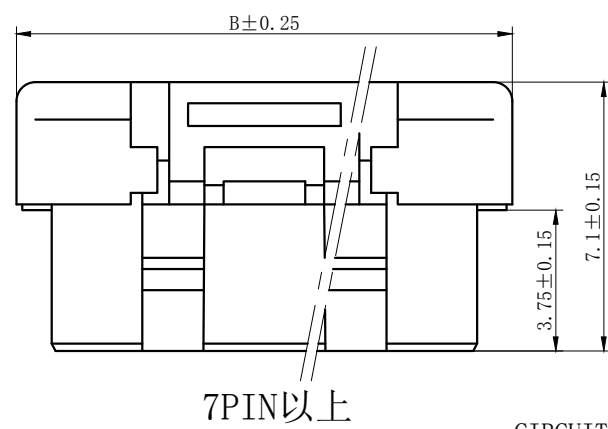
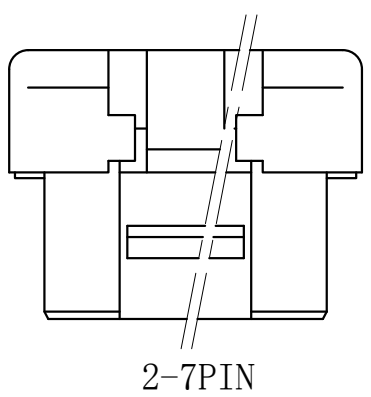
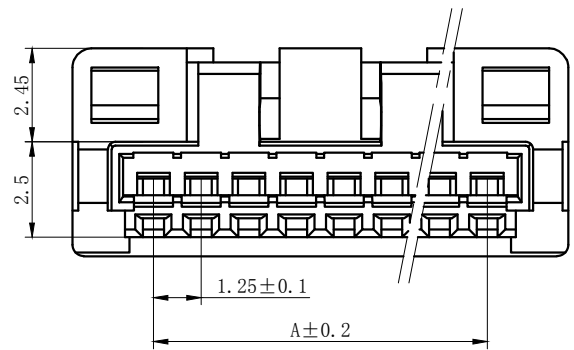
Circuits	Type	Dimension mm		Circuits	Type	Dimension mm	
		A	B			A	B
8	502380-8AWB	13.35	8.75	12	502380-12AWB	18.35	13.75
9	502380-9AWB	14.60	10.00	13	502380-13AWB	19.60	15.00
10	502380-10AWB	15.85	11.25	~	~	~	~
11	502380-11AWB	17.10	12.50	20	502380-20AWB	28.35	23.75

GENERAL TOLERANCES (UNLESS SPECIFIED)		ZHE JIANG DELI CONNECTORS CO., LTD	
.X: ± 0.25	X°: ± 3.0°	PRODUCT NAME:	TITLE: 1.25 mm Pitch Wire To Board Housing
.XX: ± 0.15	.X°: ± 2.0°	DL12504-AWB(502380-AWB)	
.XXX: ± 0.01	.XX°: ± 1.0°	DR: Yuan Jun Rong	DATE:21.10.12
FINISH:		CHKD: Wu Hui	DATE:21.10.12
DRAWING NO: GC-DL12504-XXWB-XXX-XX-X-XX		APPD:Ren An De	DATE:21.10.12
		PART NO: DL12504-XXWB-XXX-XX-X-XX	SCALE: N/A
			PAGE: 1/1
		UNITS: mm	REV.: A

REV.	REVISION DESCRIPTION	DATE	APPD
C	材料变更	2022.4	技术部

NOTES

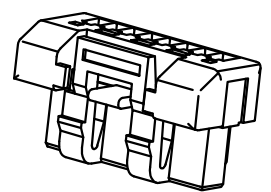
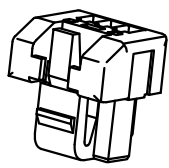
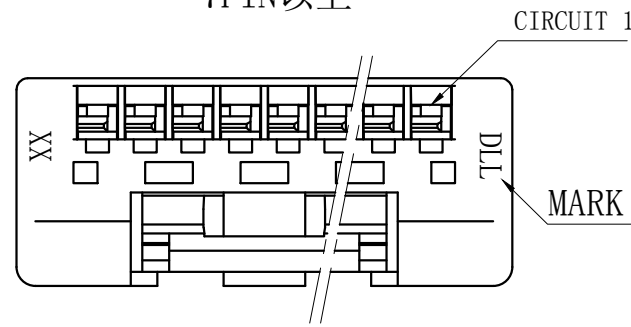
Available in 02 through 15 Circuits.
 Material : PBT UL94V-0
 Accepts DL12504-T Crimp Terminal.



ORDERING INFORMATION

DL12504 - XX Y - X XX - XX
 1 2 3 4 5 6

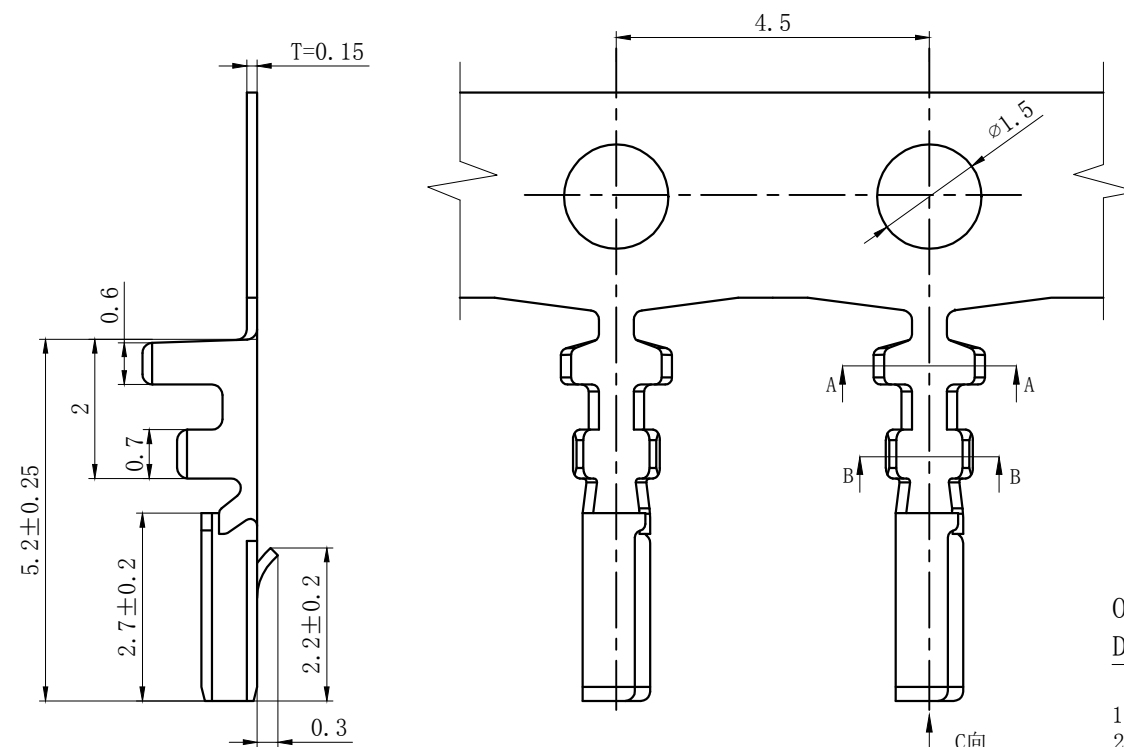
- PART NO.
- NO. OF CIRCUIT
- CONN. TYPE
- MATERIAL: 0: PA66 V0 1: PA66 V1 2: PA66 V2
 3: PA66 V0 750°C 4: LCP 5: PBT
 6: PA9T 7: PA6T 8: PA66 GF
- COLOR: NA: NATURE RE: RED BR: BROWN
 GY: GREY BK: BLACK YE: YELLOW
 BL: BLUE GR: GREEN PU: PURPLE PI: PINK
 OR: ORANGE TR: TRANSPARENT OT: OTHER
- SERIAL NUMBER: 00.01.02.....



Circ uits	Type	Dimension mm		Circ uits	Type	Dimension mm	
		A	B			A	B
2	502380-2Y	1.25	5.60	10	502380-10Y	11.25	15.60
3	502380-3Y	2.50	6.85	11	502380-11Y	12.50	16.85
4	502380-4Y	3.75	8.10	12	502380-12Y	13.75	18.10
5	502380-5Y	5.00	9.35	13	502380-13Y	15.00	19.35
6	502380-6Y	6.25	10.60	14	502380-14Y	16.25	20.60
7	502380-7Y	7.50	11.85	15	502380-15Y	17.50	21.85
8	502380-8Y	8.75	13.10	~	~	~	~
9	502380-9Y	10.00	14.35	20	502380-20Y	23.75	28.10

GENERAL TOLERANCES (UNLESS SPECIFIED)		ZHE JIANG DELI CONNECTORS CO., LTD	
.X: ± 0.25	X°: ± 3.0°	PRODUCT NAME: DL12504-Y(502380-Y)	TITLE: 1.25 mm Pitch Housing
.XX: ± 0.15	.X°: ± 2.0°	DR: Yuan Jun Rong	DATE: 21/08/01
.XXX: ± 0.01	.XX°: ± 1.0°	DATE: 21/08/01	PART NO: DL12504-XXY-XXX-XX
FINISH:		CHKD: Wu Hui	DATE: 21/08/01
DRAWING NO: GC-DL12504-XXY-XXX-XX		APPD: Ren An De	DATE: 21/08/01
		UNITS: mm	PAGE: 1/1
		REV.: C	

REV.	REVISION DESCRIPTION	DATE	APPD



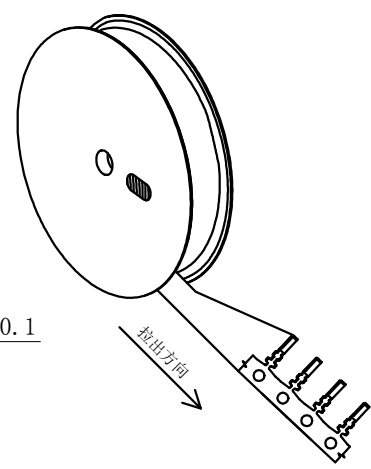
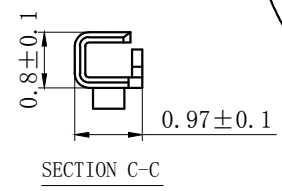
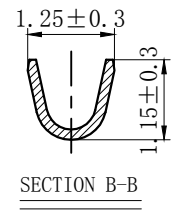
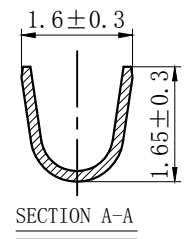
NOTES

Used in DL12504-Y Series Housing.
 Accepts AWG #28~26 Wire Range.
 Insulation O.D.=0.8~1.0 mm.
 Material : Phosphor Bronze .
 Finish: Tin plated.
 Qty/Reel: 12,000 PCS.
 Thickness: 0.15 mm.

ORDERING INFORMATION

DL12504 - T - X - X - X - XX
 1 2 3 4 5 6

- PART NO.
- TERMINAL CODE
- MATERIAL TYPE: 1: PHOSPHOR BRONZE 2: BRASS 3: IRON
4: STAINLESS STEEL 5: OTHER
- TECHNICS: 0: UNPLATED 1: FIRST PLATING 2: POST PLATING
3: OTHER
- FINISH: 1: TIN-PLATED 2: MATTE PLATED 3: NICKEL BASE TIN PLATED
4: PICKLING 5: SILVER PLATED 6: GOLD PLATED
7: GALVANIZED 8: OTHER
- SERIAL NUMBER: 00.01.02.....



GENERAL TOLERANCES (UNLESS SPECIFIED)		ZHE JIANG DELI CONNECTORS CO., LTD			
.X: ± 0.25	X°: ± 3.0°	PRODUCT NAME: DL12504-T(502380-T)		TITLE: 1.25mm Pitch Wire To Board Crimp Terminal	
.XX: ± 0.15	.X°: ± 2.0°	DR: Yuan Jun Rong		PART NO: DL12504-T-X-X-X-XX	
.XXX: ± 0.01	.XX°: ± 1.0°	DATE: 21.10.13		SCALE: N/A	
FINISH:		CHKD: Wu Hui		PAGE: 1/1	
DRAWING NO: GC-DL12504-T-X-X-X-XX		APPD: Ren An De		UNITS: mm	
		DATE: 21.10.13		REV.: A	

X-ON Electronics

Largest Supplier of Electrical and Electronic Components

Click to view similar products for [Headers & Wire Housings](#) category:

Click to view products by [DLL](#) manufacturer:

Other Similar products are found below :

[0015917161](#) [0022155065](#) [57102-F02-18ULF](#) [58102-G61-06LF](#) [582553-1](#) [01.001.5753.1](#) [0050291907](#) [02.125.8002.8](#) [609-3404](#) [61062-3](#)
[CSU011177004](#) [622-0430](#) [622-3653LF](#) [63453-116](#) [636-1030](#) [636-1427](#) [636-3427](#) [636-4007](#) [641938-9](#) [65495-038](#) [65692-001LF](#) [65781-018](#)
[65781-047](#) [65817-010LF](#) [65817-015LF](#) [67095-007LF](#) [67601157](#) [68631-112](#) [68645-018](#) [699319-000](#) [70.362.1628.0](#) [70-4210](#) [70-4226B](#) [70-](#)
[4853B](#) [71.350.2428.0](#) [733-134](#) [733-162](#) [760-3052](#) [MHR-64-VUAL](#) [80.063.4001.1](#) [800-90-001-10-001000](#) [801-43-002-10-013000](#)
[801-43-006-10-002000](#) [803-43-024-10-001000](#) [803-93-012-10-001000](#) [8-1437020-4](#) [819-22-004-30-001101](#) [820-22-006-30-001101](#)
[820-22-008-30-001101](#) [821-22-002-10-001101](#)