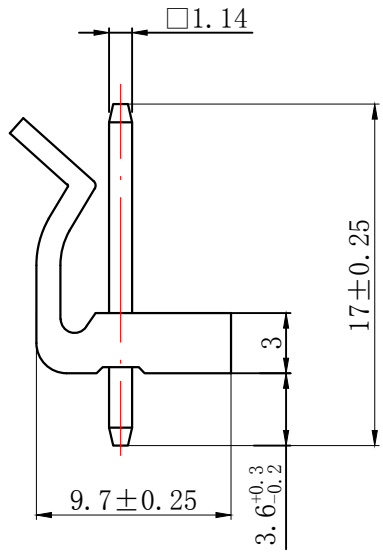
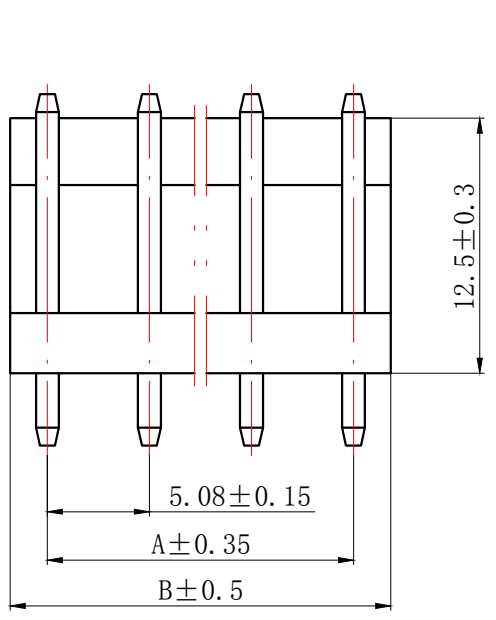


技术特性/Specifications:

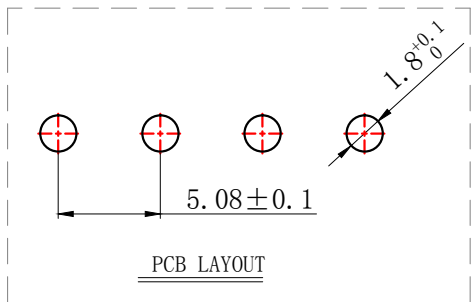
额定电压 Rated voltage: 250V AC, DC
额定电流 Rated current: 7A AC, DC max
接触电阻 Contact resistance: 20m Ω max
绝缘电阻 Insulation resistance: 1000M Ω min
耐压 Withstand voltage: 1500V AC/minute
环境温度 Ambient temperature: -40 $^{\circ}$ C~+105 $^{\circ}$ C
适用线规 Wire range: AWG#24~#18

| | | | |
|------|----------------------|------|--|
| REV. | REVISION DESCRIPTION | DATE | |
| | | | |



NORES:

1. Rated voltage: 250V AC.DC
2. Rated current: 7A AC DC (Max)
3. Contact resistance: $\leq 20 \text{ m}\Omega$
4. Insulation resistance: $\geq 1000 \text{ m}\Omega$
5. Withstand voltage: 1500V AC/minute
6. Ambient temprature: $-40^{\circ}\text{C} \sim 105^{\circ}\text{C}$
7. Materials: Nylon UL94V-0(2)
8. Matched RoHS criteria



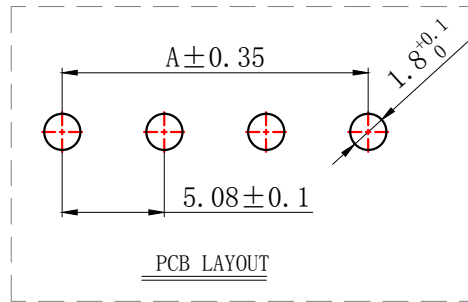
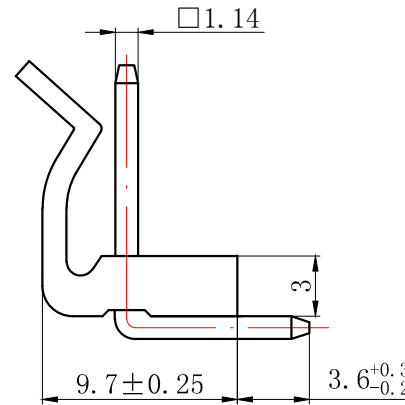
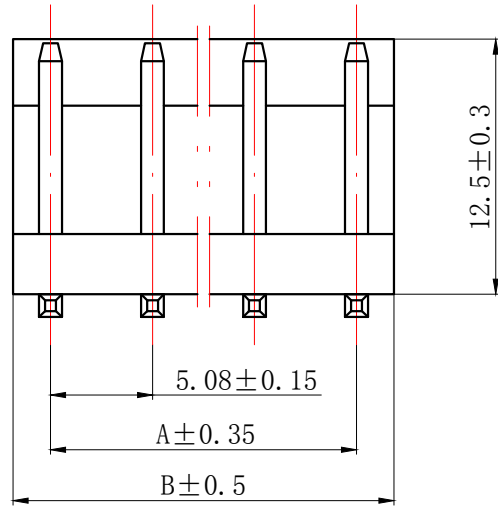
| Circuits | Product name | Dimension mm | |
|----------|--------------|--------------|-------|
| | | A | B |
| 2 | 5.08-2A | 5.08 | 8.88 |
| 3 | 5.08-3A | 10.16 | 13.96 |
| 4 | 5.08-4A | 15.24 | 19.04 |
| 5 | 5.08-5A | 20.32 | 24.12 |
| 6 | 5.08-6A | 25.40 | 29.20 |
| 7 | 5.08-7A | 30.48 | 34.28 |
| 8 | 5.08-8A | 35.56 | 39.36 |
| 9 | 5.08-9A | 40.64 | 44.44 |
| 10 | 5.08-10A | 45.72 | 49.52 |

| | | | |
|---------------------------------------|--------------|------------------------------------|--|
| GENERAL TOLERANCES (UNLESS SPECIFIED) | | ZHE JIANG DELI CONNECTORS CO., LTD | |
| .X: ± 0.25 | X°: ± 3.0° | PRODUCT NAME: | TITLE: 5.08 mm Pitch Wire To Board Wafer |
| .XX: ± 0.15 | .X°: ± 2.0° | DL50801 (5.08) -A | |
| .XXX: ± 0.01 | .XX°: ± 1.0° | DR: Chen Quan Long | DATE: 19/08/01 |
| FINISH: | | CHKD: Wu Hui | DATE: 19/08/01 |
| DRAWING NO: | | APPD: Ren An De | DATE: 19/08/01 |
| | | PART NO: | SCALE: N/A |
| | | UNITS: mm | PAGE: 1/1 |
| | | REV.: | A |

| | | |
|------|----------------------|------|
| REV. | REVISION DESCRIPTION | DATE |
| | | |

NORES:

1. Rated voltage: 250V AC.DC
2. Rated current: 7A AC DC (Max)
3. Contact resistance: $\leq 20 \text{ m}\Omega$
4. Insulation resistance: $\geq 1000 \text{ m}\Omega$
5. Withstand voltage: 1500V AC/minute
6. Ambient temprature: $-40^{\circ}\text{C} \sim 105^{\circ}\text{C}$
7. Materials: Nylon UL94V-0(2)
8. Matched RoHS criteria



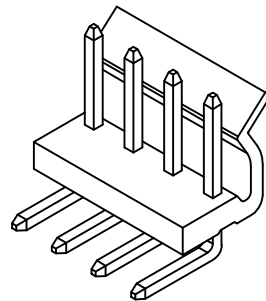
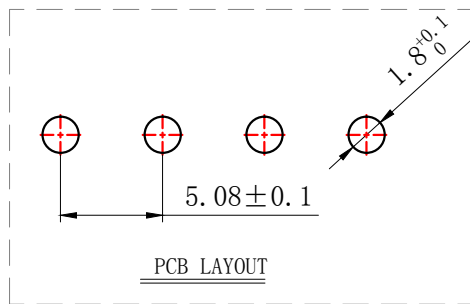
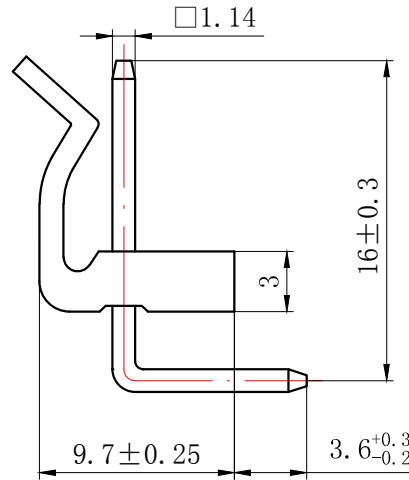
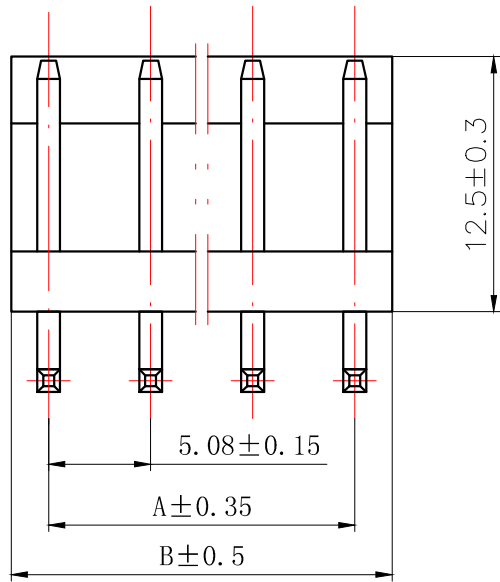
| Circuits | Product name | Dimension mm | |
|----------|--------------|--------------|-------|
| | | A | B |
| 2 | 5.08-2AW | 5.08 | 8.88 |
| 3 | 5.08-3AW | 10.16 | 13.96 |
| 4 | 5.08-4AW | 15.24 | 19.04 |
| 5 | 5.08-5AW | 20.32 | 24.12 |
| 6 | 5.08-6AW | 25.40 | 29.20 |
| 7 | 5.08-7AW | 30.48 | 34.28 |
| 8 | 5.08-8AW | 35.56 | 39.36 |
| 9 | 5.08-9AW | 40.64 | 44.44 |
| 10 | 5.08-10AW | 45.72 | 49.52 |

| | | | |
|---------------------------------------|--------------|------------------------------------|--|
| GENERAL TOLERANCES (UNLESS SPECIFIED) | | ZHE JIANG DELI CONNECTORS CO., LTD | |
| .X: ± 0.25 | X°: ± 3.0° | PRODUCT NAME: | TITLE: 5.08 mm Pitch Wire To Board Wafer |
| .XX: ± 0.15 | .X°: ± 2.0° | DL50801 (5.08) -AW | |
| .XXX: ± 0.01 | .XX°: ± 1.0° | DR: Chen Quan Long | DATE: 19/08/01 |
| FINISH: | | CHKD: Wu Hui | DATE: 19/08/01 |
| DRAWING NO: | | APPD: Ren An De | DATE: 19/08/01 |
| | | PART NO: | SCALE: N/A |
| | | UNITS: mm | PAGE: 1/1 |
| | | REV.: A | |

| | | |
|------|----------------------|------|
| REV. | REVISION DESCRIPTION | DATE |
| | | |

NORES:

1. Rated voltage: 250V AC/DC
2. Rated current: 7A AC DC (Max)
3. Contact resistance: $\leq 20 \text{ m}\Omega$
4. Insulation resistance: $\geq 1000 \text{ m}\Omega$
5. Withstand voltage: 1500V AC/minute
6. Ambient temperature: $-40^{\circ}\text{C} \sim 105^{\circ}\text{C}$
7. Materials: Nylon UL94V-0(2)
8. Matched RoHS criteria



| Circuits | Product name | Dimension mm | |
|----------|--------------|--------------|-------|
| | | A | B |
| 2 | 5.08-2AWT | 5.08 | 8.88 |
| 3 | 5.08-3AWT | 10.16 | 13.96 |
| 4 | 5.08-4AWT | 15.24 | 19.04 |
| 5 | 5.08-5AWT | 20.32 | 24.12 |
| 6 | 5.08-6AWT | 25.40 | 29.20 |
| 7 | 5.08-7AWT | 30.48 | 34.28 |
| 8 | 5.08-8AWT | 35.56 | 39.36 |
| 9 | 5.08-9AWT | 40.64 | 44.44 |
| 10 | 5.08-10AWT | 45.72 | 49.52 |

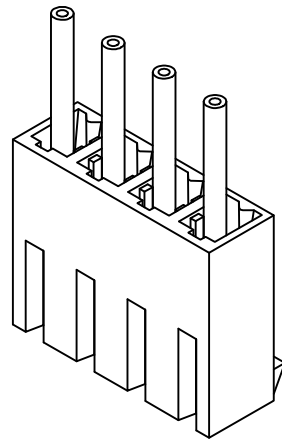
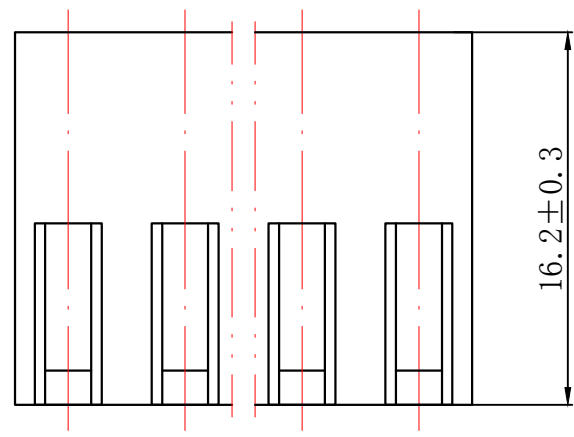
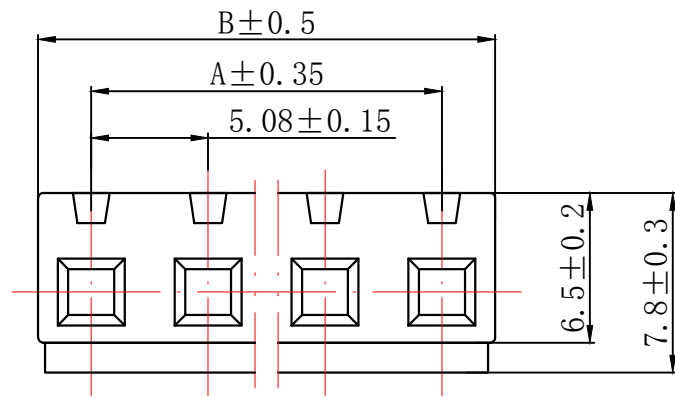
GENERAL TOLERANCES (UNLESS SPECIFIED)

| | |
|--------------|--------------|
| .X: ± 0.25 | X°: ± 3.0° |
| .XX: ± 0.15 | .X°: ± 2.0° |
| .XXX: ± 0.01 | .XX°: ± 1.0° |
| FINISH: | |
| DRAWING NO: | |

ZHE JIANG DELI CONNECTORS CO., LTD

| | | | |
|---|----------------|---|-----------|
| PRODUCT NAME: DL50801(5.08)-AWT | | TITLE: 5.08 mm Pitch Wire To Board Wafer | |
| DR: Chen Quan Long | DATE: 19/08/01 | PART NO: | |
| CHKD: Wu Hui | DATE: 19/08/01 | SCALE: N/A | PAGE: 1/1 |
| APPD: Ren An De | DATE: 19/08/01 | UNITS: mm | REV.: A |

| | | | |
|------|----------------------|------|------|
| REV. | REVISION DESCRIPTION | DATE | APPD |
| | | | |



NORES:

1. Rated voltage: 250V AC/DC
2. Rated current: 7A AC/DC (Max)
3. Contact resistance: $\leq 20 \text{ m}\Omega$
4. Insulation resistance: $\geq 1000 \text{ m}\Omega$
5. Withstand voltage: 1500V AC/minute
6. Ambient temperature: $-40^\circ\text{C} \sim 105^\circ\text{C}$
7. Materials: Nylon UL94V-0(2)
8. Matched RoHS criteria

| Circuits | Product name | Dimensino (mm) | |
|----------|--------------|----------------|-------|
| | | A | B |
| 2 | 5.08-2Y | 5.08 | 9.70 |
| 3 | 5.08-3Y | 10.16 | 14.78 |
| 4 | 5.08-4Y | 15.24 | 19.86 |
| 5 | 5.08-5Y | 20.32 | 24.94 |
| 6 | 5.08-6Y | 25.40 | 30.02 |
| 7 | 5.08-7Y | 30.48 | 35.10 |
| 8 | 5.08-8Y | 35.56 | 40.18 |
| 9 | 5.08-9Y | 40.64 | 45.26 |
| 10 | 5.08-10Y | 45.72 | 50.34 |

| | | | |
|---------------------------------------|-----------------------|------------------------------------|---|
| GENERAL TOLERANCES (UNLESS SPECIFIED) | | ZHE JIANG DELI CONNECTORS CO., LTD | |
| .X: ± 0.25 | X°: $\pm 3.0^\circ$ | PRODUCT NAME: DL50801(5.08)-Y | TITLE: 5.08 mm Pitch Wire To Board Housing |
| .XX: ± 0.15 | .X°: $\pm 2.0^\circ$ | DR: Chen Quan Long | DATE: 19/08/01 |
| .XXX: ± 0.01 | .XX°: $\pm 1.0^\circ$ | CHKD: Wu Hui | DATE: 19/08/01 |
| FINISH: | | APPD: Ren An De | DATE: 19/08/01 |
| DRAWING NO: | | | |
| | | | |

A
B
C
D
E
F

A
B
C
D
E
F

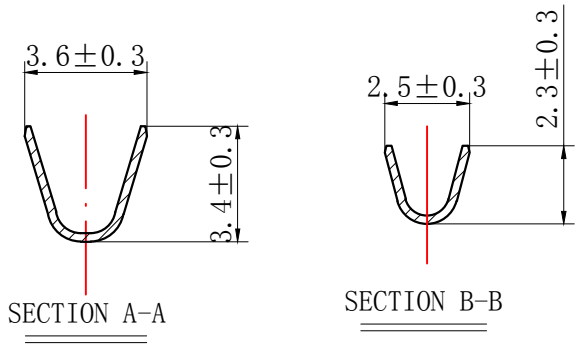
1 2 3 4 5 6 7 8

| REV. | REVISION DESCRIPTION | DATE | APPD |
|------|----------------------|----------|------|
| B | 端子高度尺寸更新 | 19.4.20 | Wu |
| C | 端子倒勾宽度 | 19.10.12 | Wu |



NOTES

Used in DL39601-Y Series Housing.
 Accepts AWG #24~18 Wire Range.
 0.33~ 0.83 mm² .
 Insulation O.D. =1.7~3.0 mm.
 Material : Phosphor Bronze .
 Finish: Tin plated.
 Thickness: 0.25 mm.



| GENERAL TOLERANCES (UNLESS SPECIFIED) | | ZHE JIANG DELI CONNECTORS CO., LTD | | |
|---------------------------------------|--------------|------------------------------------|--|-----------|
| .X: ± 0.25 | X°: ± 3.0° | PRODUCT NAME: | TITLE: 3.96 mm pitch WTB Crimping Terminal | |
| .XX: ± 0.15 | .X°: ± 2.0° | DL39601 (3.96)-T | | |
| .XXX: ± 0.01 | .XX°: ± 1.0° | DR: Xian Qiang | DATE: 16.3.3 | |
| FINISH: | | CHKD: Liu Bing | DATE: 16.3.3 | |
| DRAWING NO: | | APPD: Liu Bing | DATE: 16.3.3 | |
| | | | PART NO: | |
| | | | SCALE: N/A | PAGE: 1/1 |
| | | | UNITS: mm | REV.: C |

X-ON Electronics

Largest Supplier of Electrical and Electronic Components

Click to view similar products for [Headers & Wire Housings](#) category:

Click to view products by [DLL](#) manufacturer:

Other Similar products are found below :

[0015917161](#) [0022155065](#) [57102-F02-18ULF](#) [58102-G61-06LF](#) [582553-1](#) [01.001.5753.1](#) [0050291907](#) [02.125.8002.8](#) [609-3404](#) [61062-3](#)
[CSU011177004](#) [622-0430](#) [622-3653LF](#) [63453-116](#) [636-1030](#) [636-1427](#) [636-3427](#) [636-4007](#) [641938-9](#) [65495-038](#) [65692-001LF](#) [65781-018](#)
[65781-047](#) [65817-010LF](#) [65817-015LF](#) [67095-007LF](#) [67601157](#) [68631-112](#) [68645-018](#) [699319-000](#) [70.362.1628.0](#) [70-4210](#) [70-4226B](#) [70-](#)
[4853B](#) [71.350.2428.0](#) [733-134](#) [733-162](#) [MHR-64-VUAL](#) [80.063.4001.1](#) [800-90-001-10-001000](#) [801-43-002-10-013000](#) [801-43-006-10-](#)
[002000](#) [803-43-024-10-001000](#) [803-93-012-10-001000](#) [8-1437020-4](#) [819-22-004-30-001101](#) [820-22-006-30-001101](#) [820-22-008-30-001101](#)
[821-22-002-10-001101](#) [821-22-003-10-002101](#)