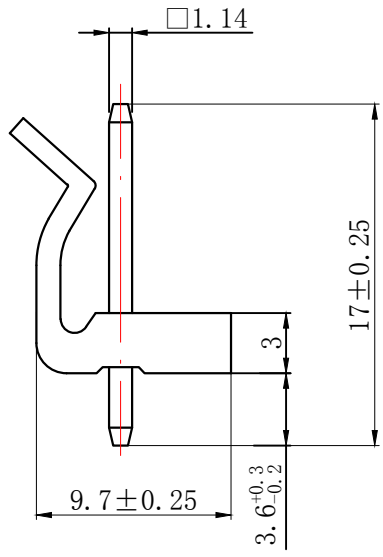
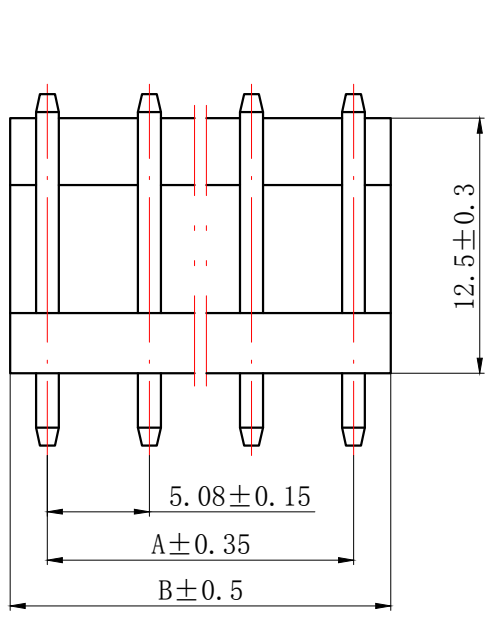


技术特性/Specifications:

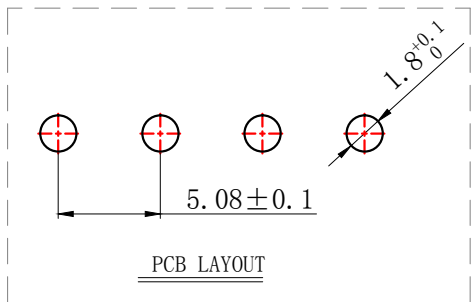
额定电压 Rated voltage: 250V AC, DC  
额定电流 Rated current: 7A AC, DC max  
接触电阻 Contact resistance: 20m $\Omega$  max  
绝缘电阻 Insulation resistance: 1000M $\Omega$  min  
耐压 Withstand voltage: 1500V AC/minute  
环境温度 Ambient temperature: -40 $^{\circ}$ C~+105 $^{\circ}$ C  
适用线规 Wire range: AWG#24~#18

|      |                      |      |  |
|------|----------------------|------|--|
| REV. | REVISION DESCRIPTION | DATE |  |
|      |                      |      |  |



**NORES:**

1. Rated voltage: 250V AC.DC
2. Rated current: 7A AC DC (Max)
3. Contact resistance:  $\leq 20 \text{ m}\Omega$
4. Insulation resistance:  $\geq 1000 \text{ m}\Omega$
5. Withstand voltage: 1500V AC/minute
6. Ambient temprature:  $-40^{\circ}\text{C} \sim 105^{\circ}\text{C}$
7. Materials: Nylon UL94V-0(2)
8. Matched RoHS criteria



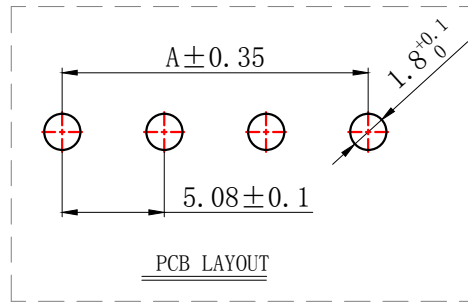
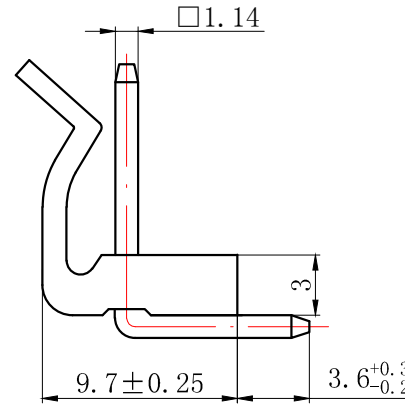
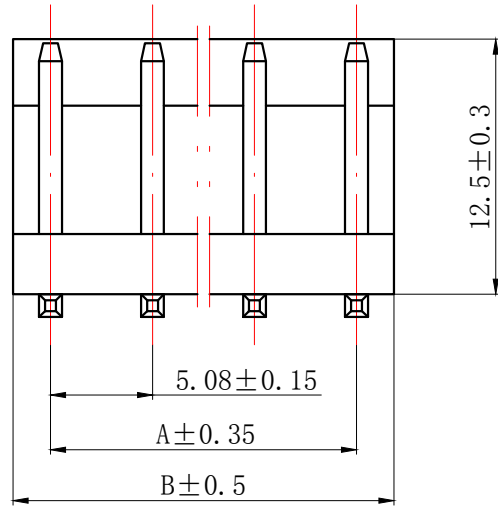
| Circuits | Product name | Dimension mm |       |
|----------|--------------|--------------|-------|
|          |              | A            | B     |
| 2        | 5.08-2A      | 5.08         | 8.88  |
| 3        | 5.08-3A      | 10.16        | 13.96 |
| 4        | 5.08-4A      | 15.24        | 19.04 |
| 5        | 5.08-5A      | 20.32        | 24.12 |
| 6        | 5.08-6A      | 25.40        | 29.20 |
| 7        | 5.08-7A      | 30.48        | 34.28 |
| 8        | 5.08-8A      | 35.56        | 39.36 |
| 9        | 5.08-9A      | 40.64        | 44.44 |
| 10       | 5.08-10A     | 45.72        | 49.52 |

|                                       |              |                                    |  |
|---------------------------------------|--------------|------------------------------------|--|
| GENERAL TOLERANCES (UNLESS SPECIFIED) |              | ZHE JIANG DELI CONNECTORS CO., LTD |  |
| .X: ± 0.25                            | X°: ± 3.0°   | PRODUCT NAME:                      | TITLE: 5.08 mm Pitch Wire To Board Wafer |
| .XX: ± 0.15                           | .X°: ± 2.0°  | DL50801 (5.08) -A                  |  |
| .XXX: ± 0.01                          | .XX°: ± 1.0° | DR: Chen Quan Long                 | DATE: 19/08/01                           |
| FINISH:                               |              | CHKD: Wu Hui                       | DATE: 19/08/01                           |
| DRAWING NO:                           |              | APPD: Ren An De                    | DATE: 19/08/01                           |
|                                       |              | PART NO:                           | SCALE: N/A                               |
|                                       |              | UNITS: mm                          | PAGE: 1/1                                |
|                                       |              | REV.:                              | A  |

|      |                      |      |
|------|----------------------|------|
| REV. | REVISION DESCRIPTION | DATE |
|      |                      |      |

**NORES:**

1. Rated voltage: 250V AC.DC
2. Rated current: 7A AC DC (Max)
3. Contact resistance:  $\leq 20 \text{ m}\Omega$
4. Insulation resistance:  $\geq 1000 \text{ m}\Omega$
5. Withstand voltage: 1500V AC/minute
6. Ambient temprature:  $-40^{\circ}\text{C} \sim 105^{\circ}\text{C}$
7. Materials: Nylon UL94V-0(2)
8. Matched RoHS criteria



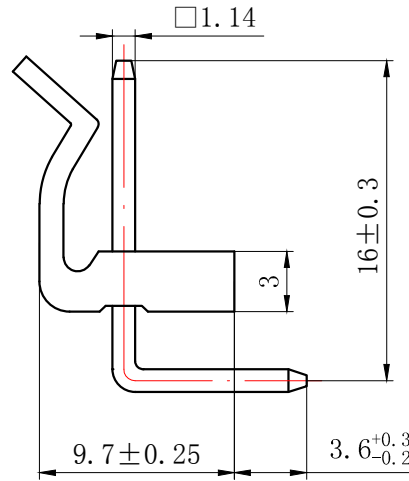
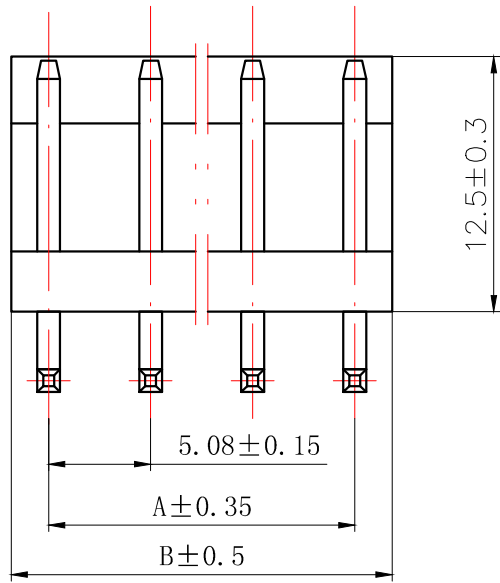
| Circuits | Product name | Dimension mm |       |
|----------|--------------|--------------|-------|
|          |              | A            | B     |
| 2        | 5.08-2AW     | 5.08         | 8.88  |
| 3        | 5.08-3AW     | 10.16        | 13.96 |
| 4        | 5.08-4AW     | 15.24        | 19.04 |
| 5        | 5.08-5AW     | 20.32        | 24.12 |
| 6        | 5.08-6AW     | 25.40        | 29.20 |
| 7        | 5.08-7AW     | 30.48        | 34.28 |
| 8        | 5.08-8AW     | 35.56        | 39.36 |
| 9        | 5.08-9AW     | 40.64        | 44.44 |
| 10       | 5.08-10AW    | 45.72        | 49.52 |

|                                       |              |                                    |  |
|---------------------------------------|--------------|------------------------------------|--|
| GENERAL TOLERANCES (UNLESS SPECIFIED) |              | ZHE JIANG DELI CONNECTORS CO., LTD |  |
| .X: ± 0.25                            | X°: ± 3.0°   | PRODUCT NAME:                      | TITLE: 5.08 mm Pitch Wire To Board Wafer |
| .XX: ± 0.15                           | .X°: ± 2.0°  | DL50801 (5.08) -AW                 |  |
| .XXX: ± 0.01                          | .XX°: ± 1.0° | DR: Chen Quan Long                 | DATE: 19/08/01                           |
| FINISH:                               |              | CHKD: Wu Hui                       | DATE: 19/08/01                           |
| DRAWING NO:                           |              | APPD: Ren An De                    | DATE: 19/08/01                           |
|                                       |              | PART NO:                           | SCALE: N/A                               |
|                                       |              | UNITS: mm                          | PAGE: 1/1                                |
|                                       |              | REV.:                              | A  |

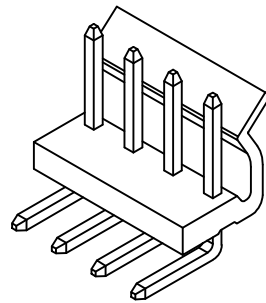
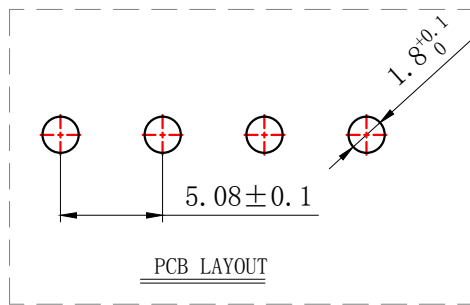
|      |                      |      |
|------|----------------------|------|
| REV. | REVISION DESCRIPTION | DATE |
|      |                      |      |

**NORES:**

1. Rated voltage: 250V AC/DC
2. Rated current: 7A AC DC (Max)
3. Contact resistance:  $\leq 20 \text{ m}\Omega$
4. Insulation resistance:  $\geq 1000 \text{ m}\Omega$
5. Withstand voltage: 1500V AC/minute
6. Ambient temperature:  $-40^{\circ}\text{C} \sim 105^{\circ}\text{C}$
7. Materials: Nylon UL94V-0(2)
8. Matched RoHS criteria



| Circuits | Product name | Dimension mm |       |
|----------|--------------|--------------|-------|
|          |              | A            | B     |
| 2        | 5.08-2AWT    | 5.08         | 8.88  |
| 3        | 5.08-3AWT    | 10.16        | 13.96 |
| 4        | 5.08-4AWT    | 15.24        | 19.04 |
| 5        | 5.08-5AWT    | 20.32        | 24.12 |
| 6        | 5.08-6AWT    | 25.40        | 29.20 |
| 7        | 5.08-7AWT    | 30.48        | 34.28 |
| 8        | 5.08-8AWT    | 35.56        | 39.36 |
| 9        | 5.08-9AWT    | 40.64        | 44.44 |
| 10       | 5.08-10AWT   | 45.72        | 49.52 |



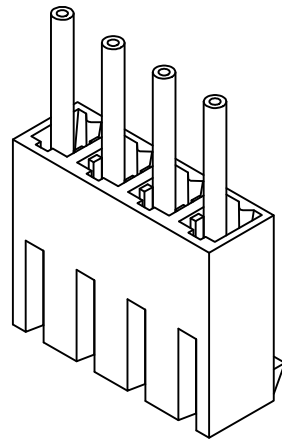
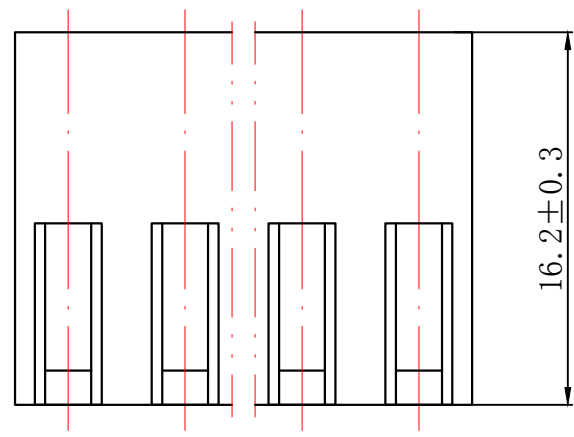
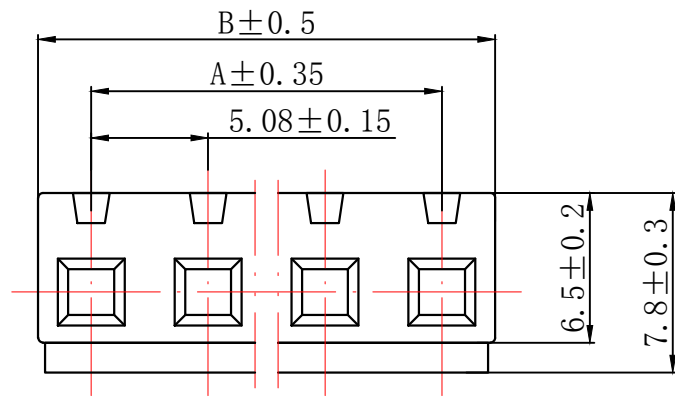
**GENERAL TOLERANCES (UNLESS SPECIFIED)**

|              |              |
|--------------|--------------|
| .X: ± 0.25   | X°: ± 3.0°   |
| .XX: ± 0.15  | .X°: ± 2.0°  |
| .XXX: ± 0.01 | .XX°: ± 1.0° |
| FINISH:      |              |
| DRAWING NO:  |              |

**ZHE JIANG DELI CONNECTORS CO., LTD**

|  |                |   |           |
|--|----------------|---|-----------|
| PRODUCT NAME:<br><b>DL50801 (5.08)-AWT</b> |                | TITLE: 5.08 mm Pitch<br>Wire To Board Wafer |           |
| DR: Chen Quan Long                         | DATE: 19/08/01 | PART NO:                                    |           |
| CHKD: Wu Hui                               | DATE: 19/08/01 | SCALE: N/A                                  | PAGE: 1/1 |
| APPD: Ren An De                            | DATE: 19/08/01 | UNITS: mm                                   | REV.: A   |

|      |                      |      |      |
|------|----------------------|------|------|
| REV. | REVISION DESCRIPTION | DATE | APPD |
|      |                      |      |      |



**NORES:**

1. Rated voltage: 250V AC/DC
2. Rated current: 7A AC/DC (Max)
3. Contact resistance:  $\leq 20 \text{ m}\Omega$
4. Insulation resistance:  $\geq 1000 \text{ m}\Omega$
5. Withstand voltage: 1500V AC/minute
6. Ambient temperature:  $-40^\circ\text{C} \sim 105^\circ\text{C}$
7. Materials: Nylon UL94V-0(2)
8. Matched RoHS criteria

| Circuits | Product name | Dimensino (mm) |       |
|----------|--------------|----------------|-------|
|          |              | A              | B     |
| 2        | 5.08-2Y      | 5.08           | 9.70  |
| 3        | 5.08-3Y      | 10.16          | 14.78 |
| 4        | 5.08-4Y      | 15.24          | 19.86 |
| 5        | 5.08-5Y      | 20.32          | 24.94 |
| 6        | 5.08-6Y      | 25.40          | 30.02 |
| 7        | 5.08-7Y      | 30.48          | 35.10 |
| 8        | 5.08-8Y      | 35.56          | 40.18 |
| 9        | 5.08-9Y      | 40.64          | 45.26 |
| 10       | 5.08-10Y     | 45.72          | 50.34 |

|                                       |                       |                                    |   |
|---------------------------------------|-----------------------|------------------------------------|---|
| GENERAL TOLERANCES (UNLESS SPECIFIED) |                       | ZHE JIANG DELI CONNECTORS CO., LTD |   |
| .X: $\pm 0.25$                        | X°: $\pm 3.0^\circ$   | PRODUCT NAME:<br>DL50801(5.08)-Y   | TITLE:<br>5.08 mm Pitch Wire To Board Housing |
| .XX: $\pm 0.15$                       | .X°: $\pm 2.0^\circ$  | DR: Chen Quan Long                 | DATE: 19/08/01                                |
| .XXX: $\pm 0.01$                      | .XX°: $\pm 1.0^\circ$ | CHKD: Wu Hui                       | DATE: 19/08/01                                |
| FINISH:                               |                       | APPD: Ren An De                    | DATE: 19/08/01                                |
| DRAWING NO:                           |                       |                                    | SCALE: N/A                                    |
|                                       |                       |                                    | PAGE: 1/1                                     |
|                                       |                       |                                    | UNITS: mm                                     |
|                                       |                       |                                    | REV.: A                                       |

| REV. | REVISION DESCRIPTION | DATE     | APPD |
|------|----------------------|----------|------|
| B    | 端子高度尺寸更新             | 19.4.20  | Wu   |
| C    | 端子倒勾宽度               | 19.10.12 | Wu   |



## NOTES

Used in DL39601-Y Series Housing.  
 Accepts AWG #24~18 Wire Range.  
 0.33~ 0.83 mm<sup>2</sup> .  
 Insulation O.D. =1.7~3.0 mm.  
 Material : Phosphor Bronze .  
 Finish: Tin plated.  
 Thickness: 0.25 mm.



| GENERAL TOLERANCES (UNLESS SPECIFIED) |              | ZHE JIANG DELI CONNECTORS CO., LTD |  |
|---------------------------------------|--------------|------------------------------------|--|
| .X: ± 0.25                            | .X°: ± 3.0°  | PRODUCT NAME:                      | TITLE: 3.96 mm pitch WTB Crimping Terminal |
| .XX: ± 0.15                           | .X°: ± 2.0°  | DL39601 (3.96)-T                   |  |
| .XXX: ± 0.01                          | .XX°: ± 1.0° | DR: Xian Qiang                     | DATE: 16.3.3                               |
| FINISH:                               |              | CHKD: Liu Bing                     | DATE: 16.3.3                               |
| DRAWING NO:                           |              | APPD: Liu Bing                     | DATE: 16.3.3                               |
|                                       |              |                                    | PART NO:                                   |
|                                       |              |                                    | SCALE: N/A                                 |
|                                       |              |                                    | PAGE: 1/1                                  |
|                                       |              |                                    | UNITS: mm                                  |
|                                       |              |                                    | REV.: C                                    |

## X-ON Electronics

Largest Supplier of Electrical and Electronic Components

*Click to view similar products for [Headers & Wire Housings](#) category:*

*Click to view products by [DLL](#) manufacturer:*

Other Similar products are found below :

[0015917161](#) [0022155065](#) [57102-F02-18ULF](#) [58102-G61-06LF](#) [582553-1](#) [01.001.5753.1](#) [0050291907](#) [02.125.8002.8](#) [609-3404](#) [61062-3](#)  
[CSU011177004](#) [622-0430](#) [622-3653LF](#) [63453-116](#) [636-1030](#) [636-1427](#) [636-3427](#) [636-4007](#) [641938-9](#) [65495-038](#) [65692-001LF](#) [65781-018](#)  
[65781-047](#) [65817-010LF](#) [65817-015LF](#) [67095-007LF](#) [67601157](#) [68631-112](#) [68645-018](#) [699319-000](#) [70.362.1628.0](#) [70-4210](#) [70-4226B](#) [70-](#)  
[4853B](#) [71.350.2428.0](#) [733-134](#) [733-162](#) [760-3052](#) [MHR-64-VUAL](#) [80.063.4001.1](#) [800-90-001-10-001000](#) [801-43-002-10-013000](#)  
[801-43-006-10-002000](#) [803-43-024-10-001000](#) [803-93-012-10-001000](#) [8-1437020-4](#) [819-22-004-30-001101](#) [820-22-006-30-001101](#)  
[820-22-008-30-001101](#) [821-22-002-10-001101](#)