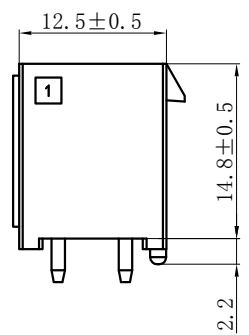
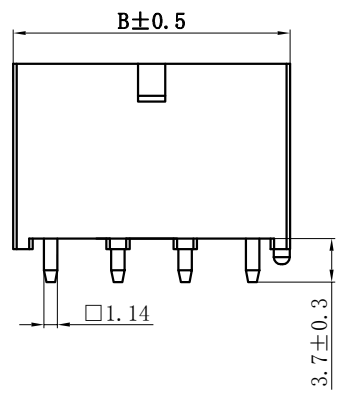
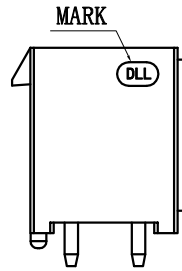


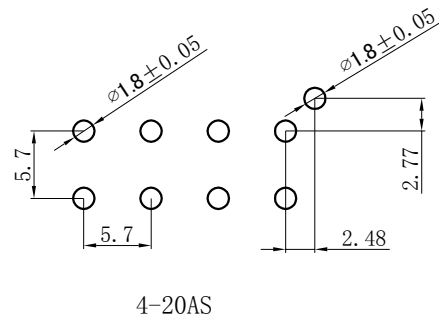
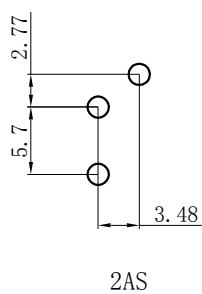
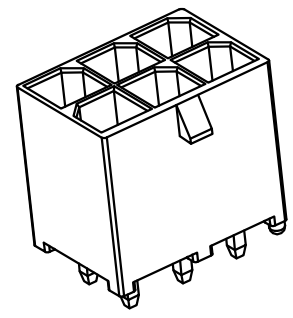
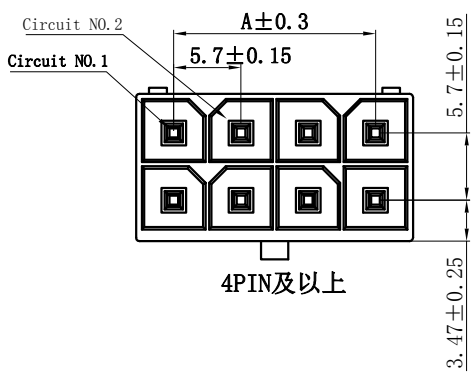
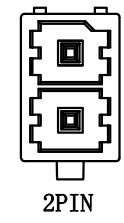
技术特性/Specifications:

额定电压 Rated voltage: 600V AC, DC
额定电流 Rated current: 23A AC, DC
接触电阻 Contact resistance: 10mΩ max
绝缘电阻 Insulation resistance: 1000MΩ min
耐压 Withstand voltage: 2200V AC/minute
环境温度 Ambient temperature: -40°C~+105°C
适用线规 Wire range: AWG#20~#12

REV.	REVISION DESCRIPTION	DATE



- NOTES:
- 1、Rated voltage: 600V AC.DC
 - 2、Rated current: 23A Max
 - 3、Contact resistance : $\leq 10m\Omega$
 - 4、Insulation resistance : $\geq 1000M\Omega$
 - 5、Withstand voltage : 2200V AC/minute
 - 6、Ambient temperature : $-25^{\circ}C \sim 85^{\circ}C$
 - 7、Materials : LCP UL94V-0
 - 8、Green Material RoHS Compliant

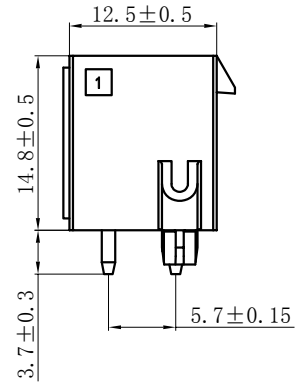
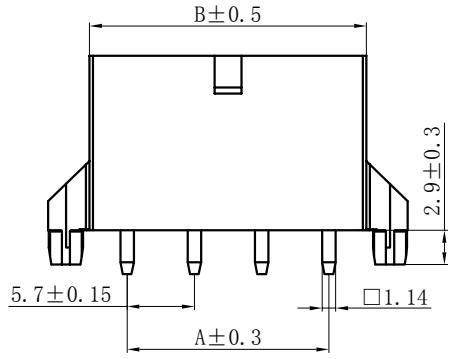
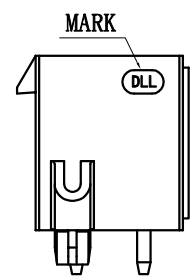


PCB 安装尺寸

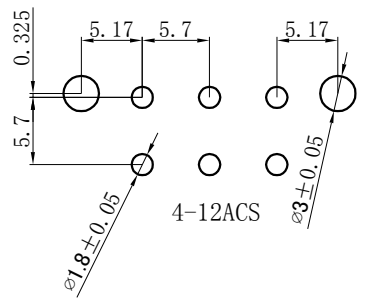
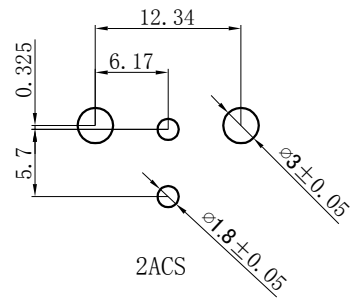
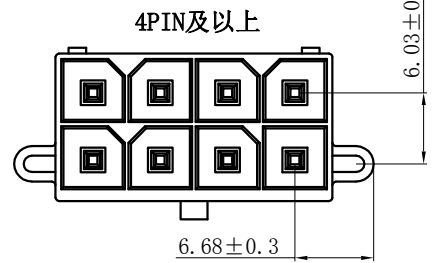
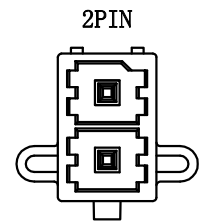
Circuits	Product name	Dimension mm	
		A	B
2X1	5569C-2AS	/	8.35
2X2	5569C-4AS	5.7	12.05
2X3	5569C-6AS	11.4	17.75
2X4	5569C-8AS	17.1	23.45
2X5	5569C-10AS	22.8	29.15
2X6	5569C-12AS	28.5	34.85
2X7	5569C-14AS	34.2	40.55
2X8	5569C-16AS	39.9	46.25
2X9	5569C-18AS	45.6	51.95
2X10	5569C-20AS	51.3	57.65

GENERAL TOLERANCES (UNLESS SPECIFIED)		ZHE JIANG DELI CONNECTORS CO., LTD	
.X: ± 0.25	X° : ± 3.0°	PRODUCT NAME: DL57001 (5569C)-AS	TITLE: 5.7 mm Pitch Wire To Board Wafer
.XX: ± 0.15	.X° : ± 2.0°	DR: Chen Quan Long	DATE: 22/04/03
.XXX: ± 0.01	.XX° : ± 1.0°	CHKD: Wu Hui	DATE: 22/04/03
FINISH:		APPD: Ren An De	DATE: 22/04/03
DRAWING NO:		SCALE: N/A	PAGE: 1/1
		UNITS: mm	REV.: A

REV.	REVISION DESCRIPTION	DATE



- NOTES:
- 1、Rated voltage: 600V AC.DC
 - 2、Rated current: 23A Max
 - 3、Contact resistance : $\leq 10m\Omega$
 - 4、Insulation resistance : $\geq 1000M\Omega$
 - 5、Withstand voltage : 2200V AC/minute
 - 6、Ambient temperature : $-25^{\circ}C \sim 85^{\circ}C$
 - 7、Materials : LCP UL94V-0
 - 8、Green Material RoHS Compliant



PCB 安装尺寸

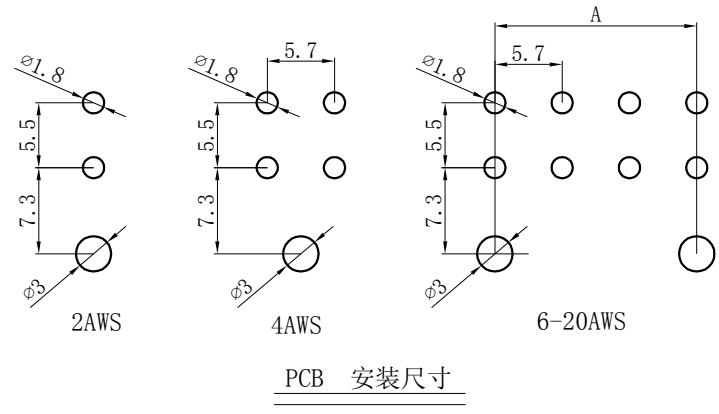
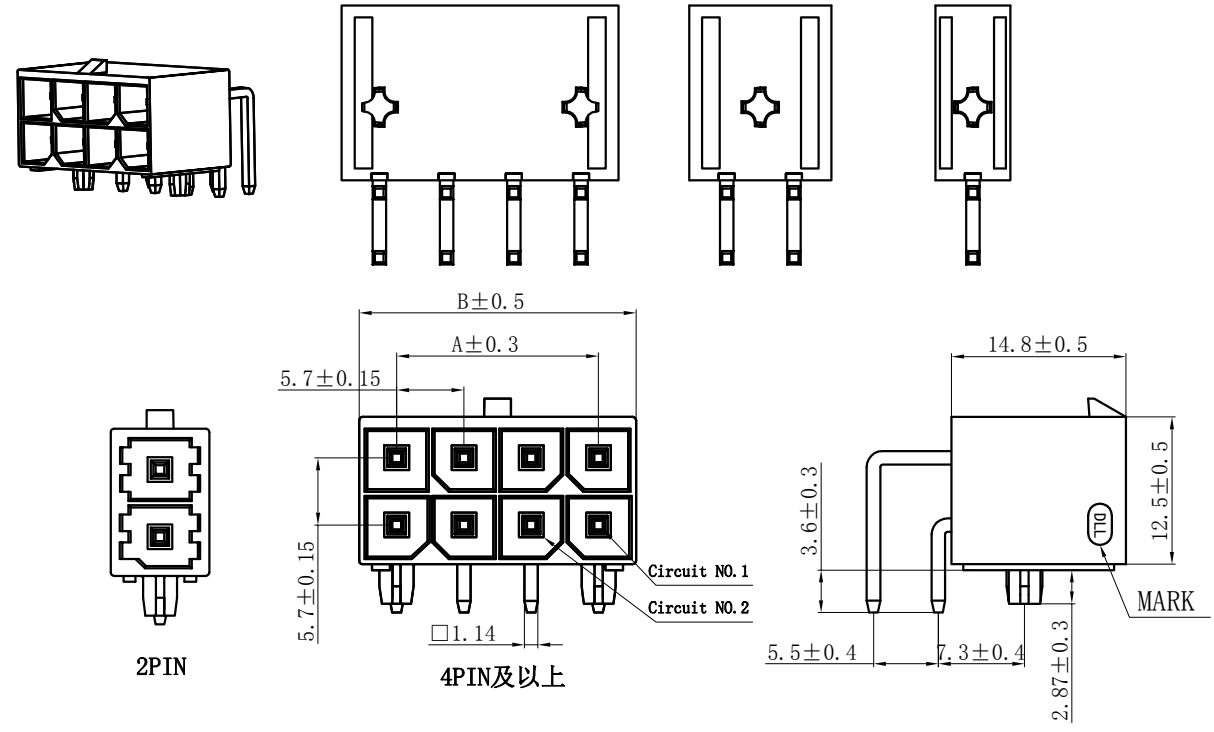
Circuits	Product name	Dimension mm	
		A	B
2X1	5569C-2ACS	/	8.35
2X2	5569C-4ACS	5.7	12.05
2X3	5569C-6ACS	11.4	17.75
2X4	5569C-8ACS	17.1	23.45
2X5	5569C-10ACS	22.8	29.15
2X6	5569C-12ACS	28.5	34.85
2X7	5569C-14ACS	34.2	40.55
2X8	5569C-16ACS	39.9	46.25
2X9	5569C-18ACS	45.6	51.95
2X10	5569C-20ACS	51.3	57.65

GENERAL TOLERANCES (UNLESS SPECIFIED)		ZHE JIANG DELI CONNECTORS CO., LTD	
.X: ± 0.25	X° : ± 3.0°	PRODUCT NAME:	TITLE: 5.7 mm Pitch Wire To Board Wafer
.XX: ± 0.15	.X° : ± 2.0°	DL57001 (5569C)-ACS	
.XXX: ± 0.01	.XX° : ± 1.0°	DR: Chen Quan Long	DATE: 22/04/03
FINISH:		CHKD: Wu Hui	DATE: 22/04/03
DRAWING NO:		APPD: Ren An De	DATE: 22/04/03
		SCALE: N/A	PAGE: 1/1
		UNITS: mm	REV.: A

REV.	REVISION DESCRIPTION	DATE

NOTES:

- 1、Rated voltage: 600V AC.DC
- 2、Rated current: 23A Max
- 3、Contact resistance : $\leq 10m\Omega$
- 4、Insulation resistance : $\geq 1000M\Omega$
- 5、Withstand voltage : 2200V AC/minute
- 6、Ambient temperature : $-25^{\circ}C \sim 85^{\circ}C$
- 7、Materials : LCP UL94V-0
- 8、Green Material RoHS Compliant



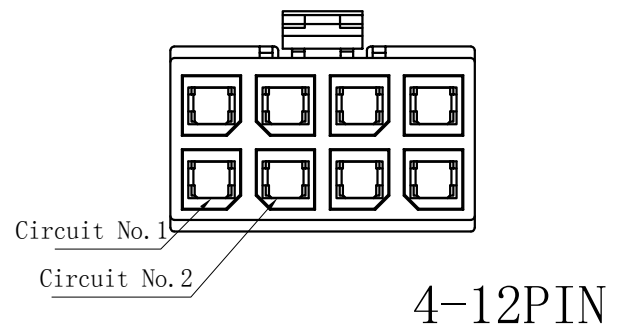
Circuits	Product name	Dimension mm	
		A	B
2X1	5569C-2AWS	/	8.35
2X2	5569C-4AWS	5.7	12.05
2X3	5569C-6AWS	11.4	17.75
2X4	5569C-8AWS	17.1	23.45
2X5	5569C-10AWS	22.8	29.15
2X6	5569C-12AWS	28.5	34.85
2X7	5569C-14AWS	34.2	40.55
2X8	5569C-16AWS	39.9	46.25
2X9	5569C-18AWS	45.6	51.95
2X10	5569C-20AWS	51.3	57.65

GENERAL TOLERANCES (UNLESS SPECIFIED)		ZHE JIANG DELI CONNECTORS CO., LTD	
.X: ± 0.25	X°: ± 3.0°	PRODUCT NAME: DL57001 (5569C)-AWS	TITLE: 5.7 mm Pitch Wire To Board Wafer
.XX: ± 0.15	.X°: ± 2.0°	DR: Chen Quan Long	DATE: 22/04/03
.XXX: ± 0.01	.XX°: ± 1.0°	DATE: 22/04/03	PART NO:
FINISH:	CHKD: Wu Hui	DATE: 22/04/03	SCALE: N/A
DRAWING NO:	APPD: Ren An De	DATE: 22/04/03	PAGE: 1/1
		UNITS: mm	REV.: A

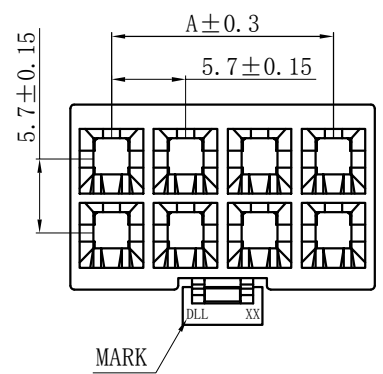
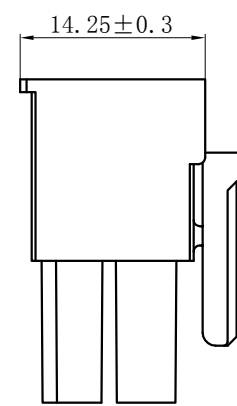
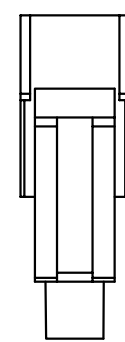
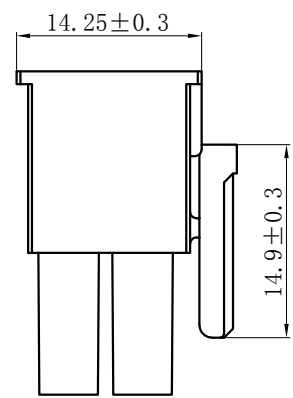
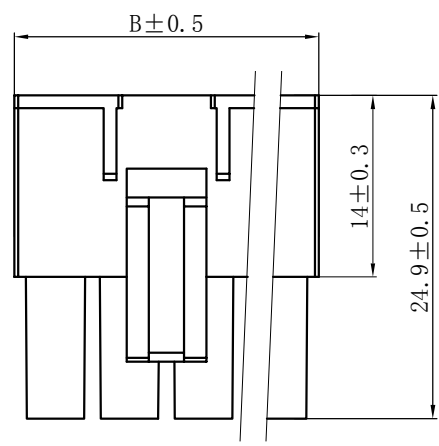
REV.	REVISION DESCRIPTION	DATE

NOTES:

- 1、Rated voltage: 600V AC/DC
- 2、Rated current: 23A Max
- 3、Contact resistance : $\leq 10m\Omega$
- 4、Insulation resistance : $\geq 1000M\Omega$
- 5、Withstand voltage : 2200V AC/minute
- 6、Ambient temperature : $-25^{\circ}C \sim 85^{\circ}C$
- 7、Materials : PA66 UL94V-0(2)
- 8、Green Material RoHS Compliant



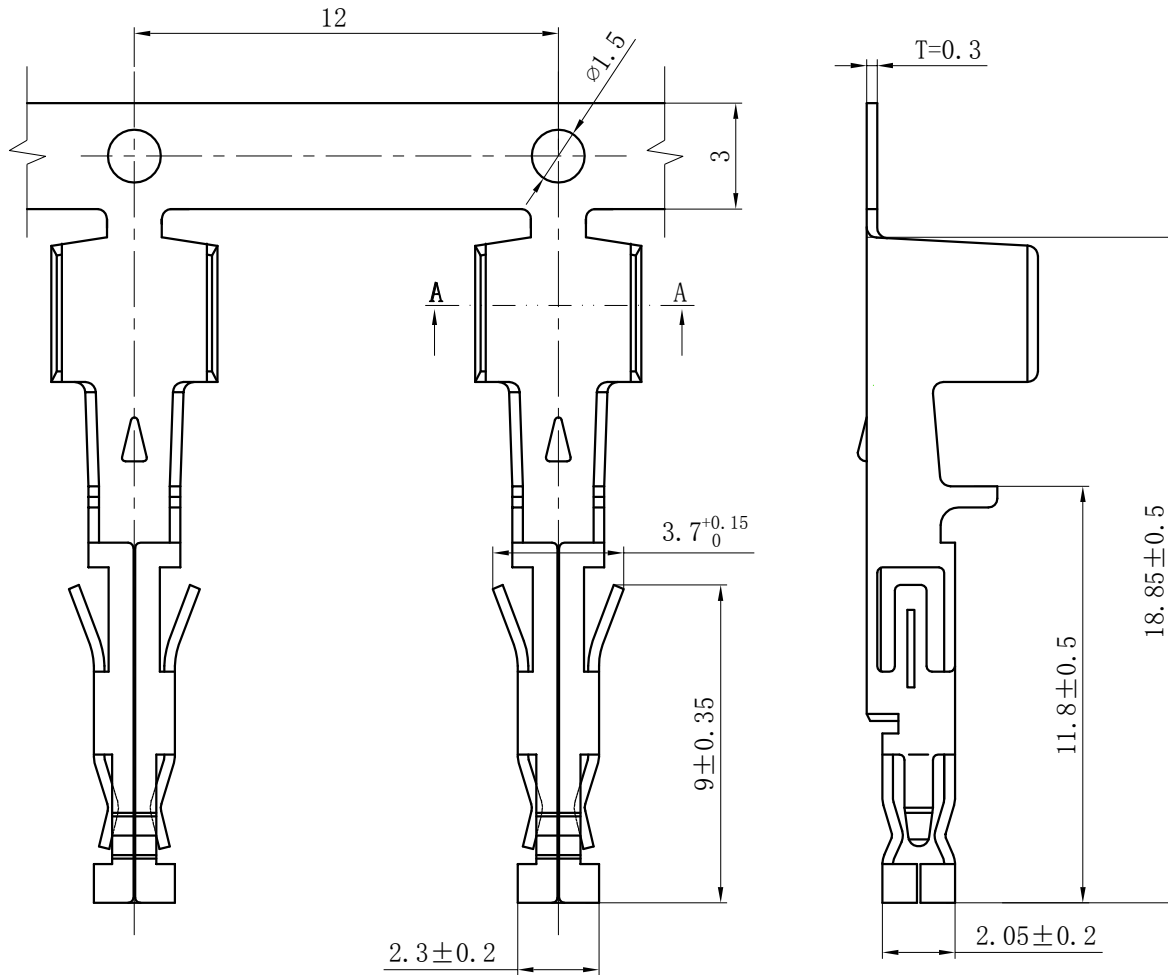
2PIN



Circuits	Product name	Dimension mm	
		A	B
2X1	5569C-2Y	/	8.35
2X2	5569C-4Y	5.7	12.05
2X3	5569C-6Y	11.4	17.75
2X4	5569C-8Y	17.1	23.45
2X5	5569C-10Y	22.8	29.15
2X6	5569C-12Y	28.5	34.85
2X7	5569C-14Y	34.2	40.55
2X8	5569C-16Y	39.9	46.25
2X9	5569C-18Y	45.6	51.95
2X10	5569C-20Y	51.3	57.65

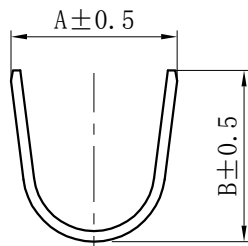
GENERAL TOLERANCES (UNLESS SPECIFIED)		ZHE JIANG DELI CONNECTORS CO., LTD	
.X: ± 0.25	X°: ± 3.0°	PRODUCT NAME:	TITLE:
.XX: ± 0.15	.X°: ± 2.0°	DL57001 (5557C)-Y	5.7 mm Pitch Housing
.XXX: ± 0.01	.XX°: ± 1.0°	DR: Chen Quan Long	DATE: 22/04/03
FINISH:		CHKD: Wu Hui	DATE: 22/04/03
DRAWING NO:		APPD: Ren An De	DATE: 22/04/03
		SCALE: N/A	PAGE: 1/1
		UNITS: mm	REV.: A

REV.	REVISION DESCRIPTION	DATE	APPD



NOTES:

1. Rated voltage: 600V AC.DC
2. Rated current: 23A Max
3. Contact resistance : $\leq 10m\Omega$
4. Insulation resistance : $\geq 1000M\Omega$
5. Withstand voltage : 2200V AC/minute
6. Ambient temperature : $-25^{\circ}C \sim 85^{\circ}C$
7. Materials: Phosphor bronze/Tin-plated
8. Matched RoHS criteria



SECTION A-A

TYPE	Dimension mm		Applicable wires AWG#
	A	B	
5556C-T-G	4.7	4.85	12
5556C-T	3.4	3.5	16-14
5556C-T-D	2.6	2.7	20-18

GENERAL TOLERANCES (UNLESS SPECIFIED)		ZHE JIANG DELI CONNECTORS CO., LTD	
.X: ± 0.25	X°: $\pm 3.0^{\circ}$	PRODUCT NAME: DL57001 (5556C)-T	TITLE: 5.7mm Pitch Crimp Terminal
.XX: ± 0.15	.X°: $\pm 2.0^{\circ}$	DR: Chen Quan Long	DATE: 2022.5.31
.XXX: ± 0.01	.XX°: $\pm 1.0^{\circ}$	FINISH:	PART NO:
DRAWING NO:		CHKD: Wu Hui	DATE: 2022.5.31
		APPD: Ren An De	DATE: 2022.5.31
		SCALE: N/A	PAGE: 1/1
		UNITS: mm	REV.: A

X-ON Electronics

Largest Supplier of Electrical and Electronic Components

Click to view similar products for [Headers & Wire Housings](#) category:

Click to view products by [DLL](#) manufacturer:

Other Similar products are found below :

[0015917161](#) [0022155065](#) [57102-F02-18ULF](#) [58102-G61-06LF](#) [582553-1](#) [01.001.5753.1](#) [0050291907](#) [02.125.8002.8](#) [609-3404](#) [61062-3](#)
[CSU011177004](#) [622-0430](#) [622-3653LF](#) [63453-116](#) [636-1030](#) [636-1427](#) [636-3427](#) [636-4007](#) [641938-9](#) [65495-038](#) [65692-001LF](#) [65781-018](#)
[65781-047](#) [65817-010LF](#) [65817-015LF](#) [67095-007LF](#) [67601157](#) [68631-112](#) [68645-018](#) [699319-000](#) [70.362.1628.0](#) [70-4210](#) [70-4226B](#) [70-](#)
[4853B](#) [71.350.2428.0](#) [733-134](#) [733-162](#) [MHR-64-VUAL](#) [80.063.4001.1](#) [800-90-001-10-001000](#) [801-43-002-10-013000](#) [801-43-006-10-](#)
[002000](#) [803-43-024-10-001000](#) [803-93-012-10-001000](#) [8-1437020-4](#) [819-22-004-30-001101](#) [820-22-006-30-001101](#) [820-22-008-30-001101](#)
[821-22-002-10-001101](#) [821-22-003-10-002101](#)