

技术特性/Specifications:

额定电压 Rated voltage: 250V AC, DC
 额定电流 Rated current: 15A max AC, DC
 接触电阻 Contact resistance: 10mΩ max
 绝缘电阻 Insulation resistance: 1000MΩ min
 耐压 Withstand voltage: 1500V AC/minute
 环境温度 Ambient temperature: -25°C~+85°C
 适用线规 Wire range: AWG#24~#14

标准/Standard:

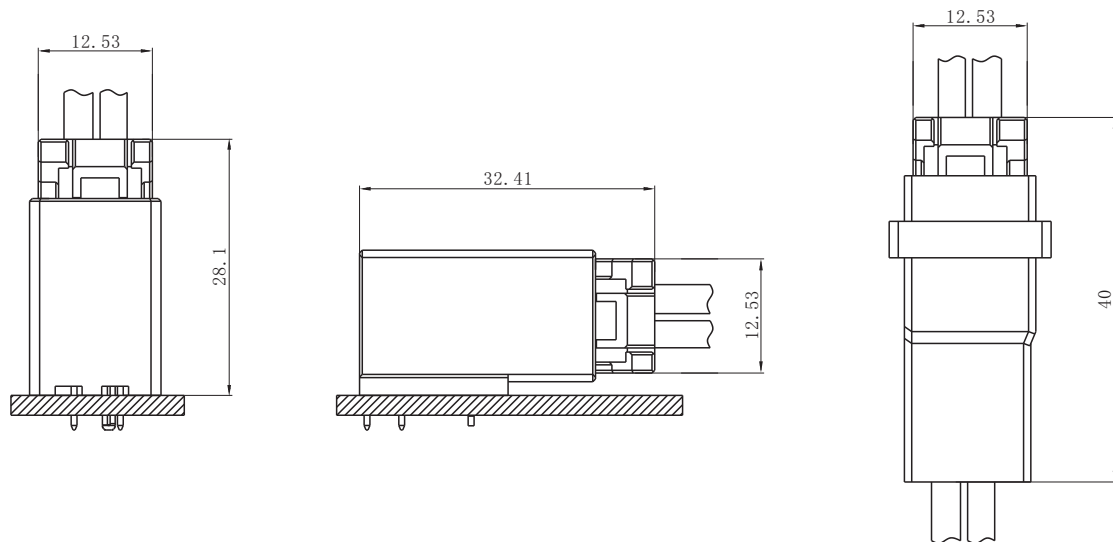


详细参数请咨询:

- E-mail: manager@zjdll.com
- E-mail: technical-support@zjdll.com
- WeChat: 13867778918

PC电路板布局和组件布局 PC board layout and Assembly layout

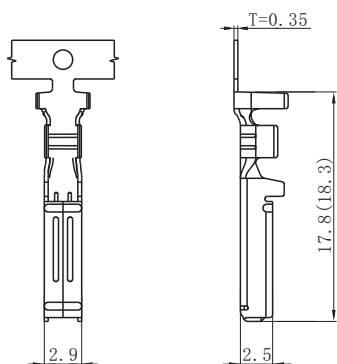
□ Assembly layout (装配布局)



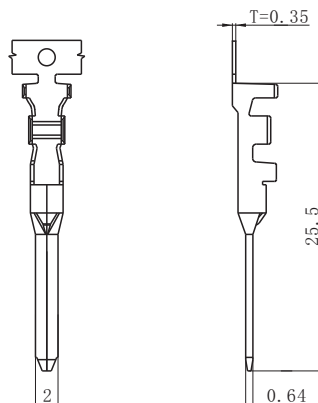
上图为连接器安装侧观察图

Notes: The above figure is the figure viewed from the connector mounting side.

□ DL38101-T (DL3810-T)



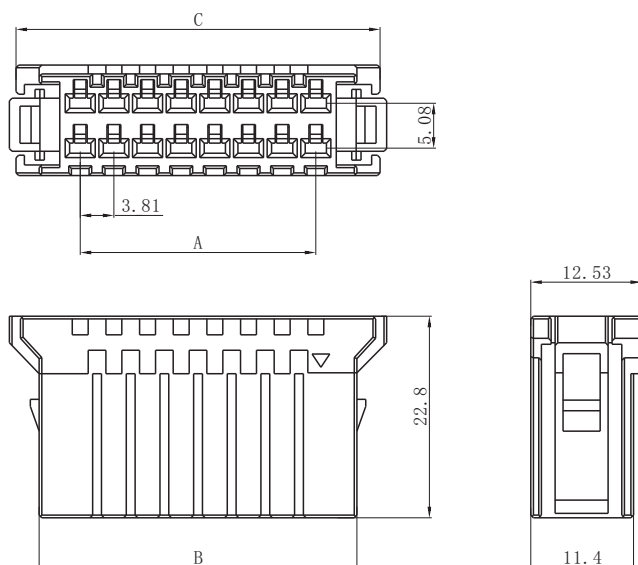
□ DL38101-RT (DL3810-RT)



Model No. (型号)	Applicable wire (适用线规)			Material (材料)	Plating (电镀)	Qty/reel (数量/盘)
	mm ²	AWG#	Insulation O. D. (绝缘外径mm)			
DL38101-T (DL3810-T)	0.50~1.25	20~16	φ 1.8~2.8	Phosphor bronze (磷青铜)	Gold Plated (镀金)	3000
DL38101-T-D (DL3810-T-D)	0.20~0.50	24~20	φ 1.2~2.6	Phosphor bronze (磷青铜)	Gold Plated (镀金)	3000
DL38101-T-G (DL3810-T-G)	1.25~2.00	16~14	φ 2.4~3.4	Phosphor bronze (磷青铜)	Gold Plated (镀金)	3000
DL38101-RT (DL3810-RT)	0.50~1.25	20~16	φ 1.8~2.8	Phosphor bronze (磷青铜)	Gold Plated (镀金)	3000
DL38101-RT-D (DL3810-RT-D)	0.20~0.50	24~20	φ 1.2~2.6	Phosphor bronze (磷青铜)	Gold Plated (镀金)	3000
DL38101-RT-G (DL3810-RT-G)	1.25~2.00	16~14	φ 2.4~3.4	Phosphor bronze (磷青铜)	Gold Plated (镀金)	3000

符合RoHS标准
RoHS compliance

□ DL38101-Y (DL3810-Y)



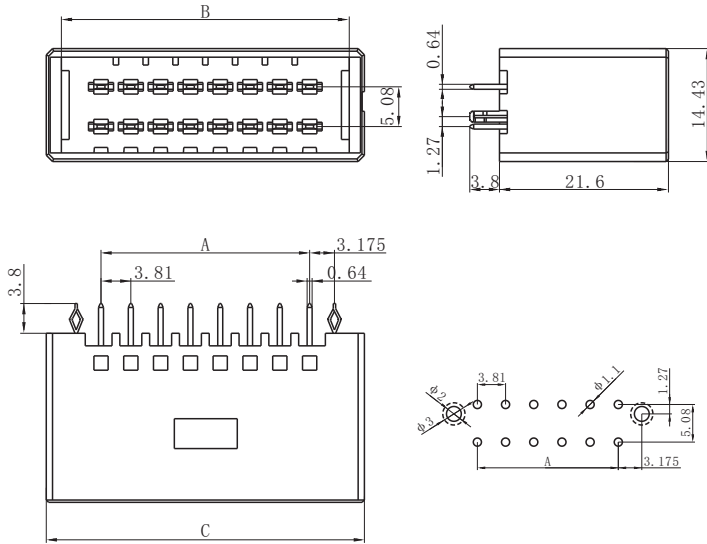
Circuits (电路)	Product name (产品名称)	Dimensions (尺寸mm)		
		A	B	C
2X2	DL3810-4Y	3.81	13.11	18.35
2X3	DL3810-6Y	7.62	16.92	22.16
2X4	DL3810-8Y	11.43	20.73	25.97
2X5	DL3810-10Y	15.24	24.54	29.78
2X6	DL3810-12Y	19.05	28.35	33.59
2X7	DL3810-14Y	22.86	32.16	37.40
2X8	DL3810-16Y	26.67	35.97	41.21
2X9	DL3810-18Y	30.48	39.78	45.02
2X10	DL3810-20Y	34.29	43.59	48.83
2X11	DL3810-22Y	38.10	47.40	52.64
2X12	DL3810-24Y	41.91	51.21	56.45

Material (材料)

Housing (胶壳): PBT UL94V-0

符合RoHS标准
RoHS compliance

DL38101-A (DL3810-A)



Circuits (电路)	Product name (产品名称)	Dimensions (尺寸mm)		
		A	B	C
2X2	DL3810-4A	3.81	13.94	17.81
2X3	DL3810-6A	7.62	17.75	21.62
2X4	DL3810-8A	11.43	21.56	25.43
2X5	DL3810-10A	15.24	25.37	29.24
2X6	DL3810-12A	19.05	29.18	33.05
2X7	DL3810-14A	22.86	32.99	36.86
2X8	DL3810-16A	26.67	36.80	40.67
2X9	DL3810-18A	30.48	40.61	44.48
2X10	DL3810-20A	34.29	44.42	48.29
2X11	DL3810-22A	38.10	48.23	52.10
2X12	DL3810-24A	41.91	52.04	55.91

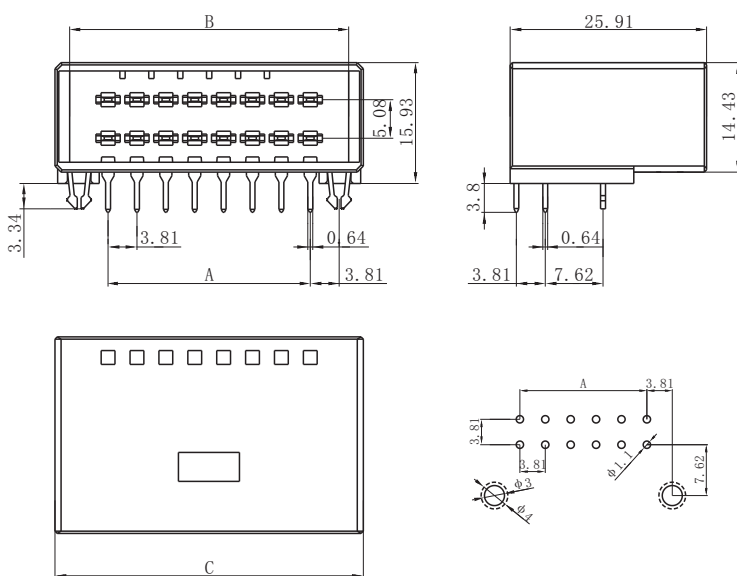
Material (材料)

Housing (胶壳): PBT UL94V-0

Wafer (接触件): Phosphor bronze (磷青铜) / Gold plated (镀金)

符合RoHS标准
RoHS compliance

DL38101-AW (DL3810-AW)



Circuits (电路)	Product name (产品名称)	Dimensions (尺寸mm)		
		A	B	C
2X2	DL3810-4AW	3.81	13.94	17.81
2X3	DL3810-6AW	7.62	17.75	21.62
2X4	DL3810-8AW	11.43	21.56	25.43
2X5	DL3810-10AW	15.24	25.37	29.24
2X6	DL3810-12AW	19.05	29.18	33.05
2X7	DL3810-14AW	22.86	32.99	36.86
2X8	DL3810-16AW	26.67	36.80	40.67
2X9	DL3810-18AW	30.48	40.61	44.48
2X10	DL3810-20AW	34.29	44.42	48.29
2X11	DL3810-22AW	38.10	48.23	52.10
2X12	DL3810-24AW	41.91	52.04	55.91

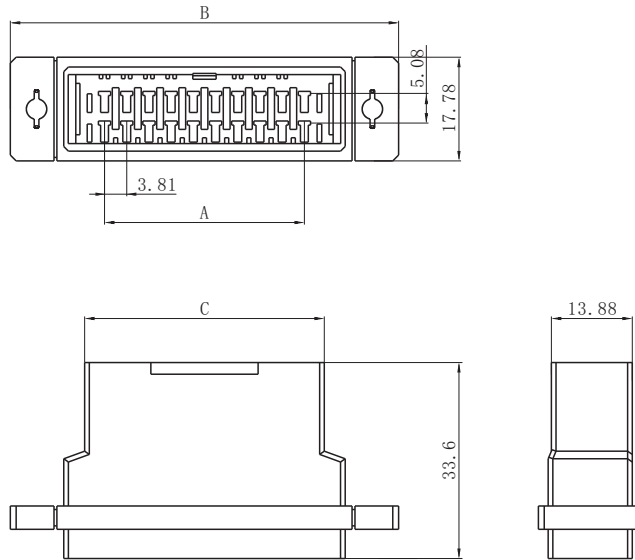
Material (材料)

Housing (胶壳): PBT UL94V-0

Wafer (接触件): Phosphor bronze (磷青铜) / Gold plated (镀金)

符合RoHS标准
RoHS compliance

DL38101-R (DL3810-R)



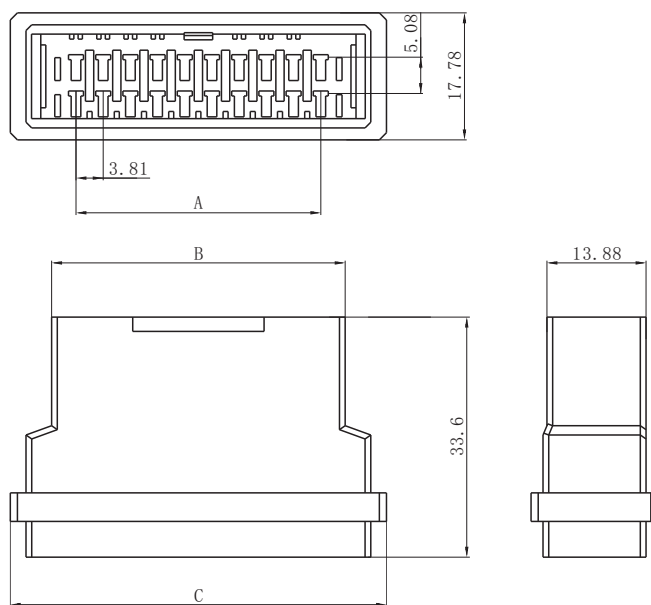
Circuits (电路)	Product name (产品名称)	Dimensions (尺寸mm)		
		A	B	C
2X2	DL3810-4R	3.81	36.14	10.64
2X3	DL3810-6R	7.62	39.95	14.45
2X4	DL3810-8R	11.43	43.76	18.26
2X5	DL3810-10R	15.24	47.57	22.07
2X6	DL3810-12R	19.05	51.38	25.88
2X7	DL3810-14R	22.86	55.19	29.69
2X8	DL3810-16R	26.67	59.00	33.50
2X9	DL3810-18R	30.48	62.81	37.31
2X10	DL3810-20R	34.29	66.62	41.12
2X11	DL3810-22R	38.10	70.43	44.93
2X12	DL3810-24R	41.91	74.24	48.74

Material (材料)

Housing (胶壳): PBT UL94V-0

符合RoHS标准
RoHS compliance

DL38101-RF (DL3810-RF)



Circuits (电路)	Product name (产品名称)	Dimensions (尺寸mm)		
		A	B	C
2X2	DL3810-4RF	3.81	10.64	22.21
2X3	DL3810-6RF	7.62	14.45	26.02
2X4	DL3810-8RF	11.43	18.26	29.83
2X5	DL3810-10RF	15.24	22.07	33.64
2X6	DL3810-12RF	19.05	25.88	37.45
2X7	DL3810-14RF	22.86	29.69	41.26
2X8	DL3810-16RF	26.67	33.50	45.07
2X9	DL3810-18RF	30.48	37.31	48.88
2X10	DL3810-20RF	34.29	41.12	52.69
2X11	DL3810-22RF	38.10	44.93	56.50
2X12	DL3810-24RF	41.91	48.74	60.31

Material (材料)

Housing (胶壳): PBT UL94V-0

符合RoHS标准
RoHS compliance

X-ON Electronics

Largest Supplier of Electrical and Electronic Components

Click to view similar products for [Headers & Wire Housings](#) category:

Click to view products by [DLL](#) manufacturer:

Other Similar products are found below :

[0015917161](#) [0022155065](#) [57102-F02-18ULF](#) [58102-G61-06LF](#) [582553-1](#) [01.001.5753.1](#) [0050291907](#) [02.125.8002.8](#) [609-3404](#) [61062-3](#)
[CSU011177004](#) [622-0430](#) [622-3653LF](#) [63453-116](#) [636-1030](#) [636-1427](#) [636-3427](#) [636-4007](#) [641938-9](#) [65495-038](#) [65692-001LF](#) [65781-018](#)
[65781-047](#) [65817-010LF](#) [65817-015LF](#) [67095-007LF](#) [67601157](#) [68631-112](#) [68645-018](#) [699319-000](#) [70.362.1628.0](#) [70-4210](#) [70-4226B](#) [70-](#)
[4853B](#) [71.350.2428.0](#) [733-134](#) [733-162](#) [760-3052](#) [MHR-64-VUAL](#) [80.063.4001.1](#) [800-90-001-10-001000](#) [801-43-002-10-013000](#)
[801-43-006-10-002000](#) [803-43-024-10-001000](#) [803-93-012-10-001000](#) [8-1437020-4](#) [819-22-004-30-001101](#) [820-22-006-30-001101](#)
[820-22-008-30-001101](#) [821-22-002-10-001101](#)