

技术特性/Specifications:

额定电压 Rated voltage: 250V AC, DC
 额定电流 Rated current: 15A max AC, DC
 接触电阻 Contact resistance: 10mΩ max
 绝缘电阻 Insulation resistance: 1000MΩ min
 耐压 Withstand voltage: 1500V AC/minute
 环境温度 Ambient temperature: -25°C~+85°C
 适用线规 Wire range: AWG#24~#14

标准/Standard:

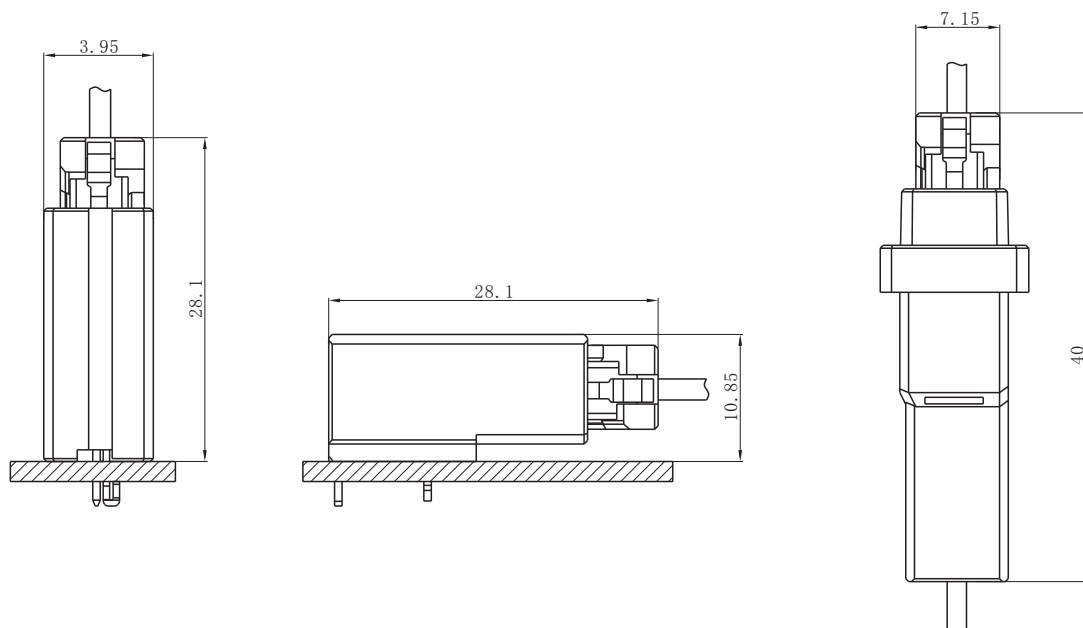


详细参数请咨询:

- E-mail: manager@zjdll.com
- E-mail: technical-support@zjdll.com
- WeChat: 13867778918

PC电路板布局和组件布局 PC board layout and Assembly layout

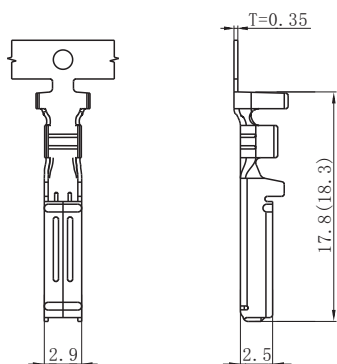
□ Assembly layout (装配布局)



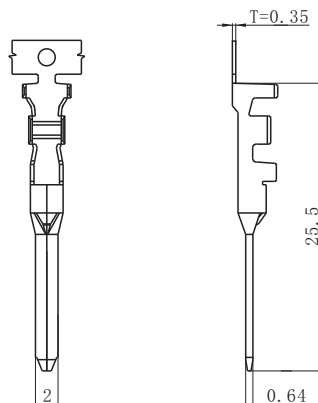
上图为连接器安装侧观察图

Notes: The above figure is the figure viewed from the connector mounting side.

□ DL38102-T (DL3810-T)



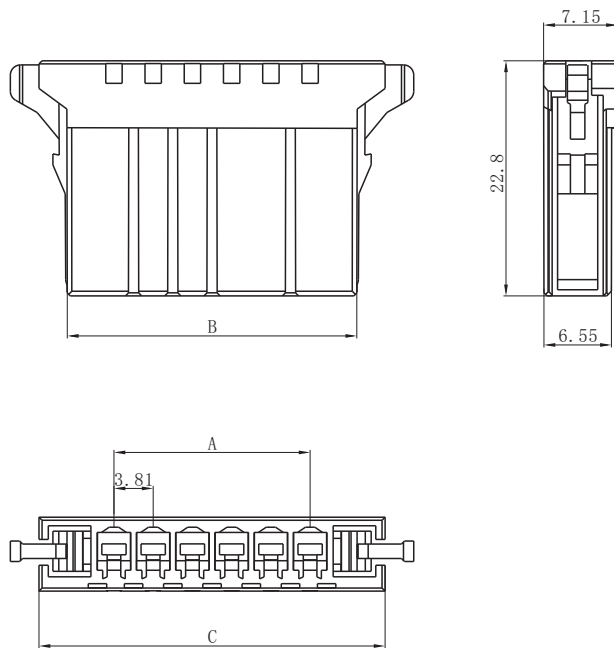
□ DL38102-RT (DL3810-RT)



Model No. (型号)	Applicable wire (适用线规)			Material (材料)	Plating (电镀)	Qty/reel (数量/盘)
	mm ²	AWG#	Insulation O. D. (绝缘外径mm)			
DL38201-T (DL3810-T)	0.50~1.25	20~16	φ 1.8~2.8	Phosphor bronze (磷青铜)	Gold Plated (镀金)	3000
DL38102-T-D (DL3810-T-D)	0.20~0.50	24~20	φ 1.2~2.6	Phosphor bronze (磷青铜)	Gold Plated (镀金)	3000
DL38102-T-G (DL3810-T-G)	1.25~2.00	16~14	φ 2.4~3.4	Phosphor bronze (磷青铜)	Gold Plated (镀金)	3000
DL38102-RT (DL3810-RT)	0.50~1.25	20~16	φ 1.8~2.8	Phosphor bronze (磷青铜)	Gold Plated (镀金)	3000
DL38102-RT-D (DL3810-RT-D)	0.20~0.50	24~20	φ 1.2~2.6	Phosphor bronze (磷青铜)	Gold Plated (镀金)	3000
DL38102-RT-G (DL3810-RT-G)	1.25~2.00	16~14	φ 2.4~3.4	Phosphor bronze (磷青铜)	Gold Plated (镀金)	3000

符合RoHS标准
RoHS compliance

□ DL38102-YM (DL3810-YM)



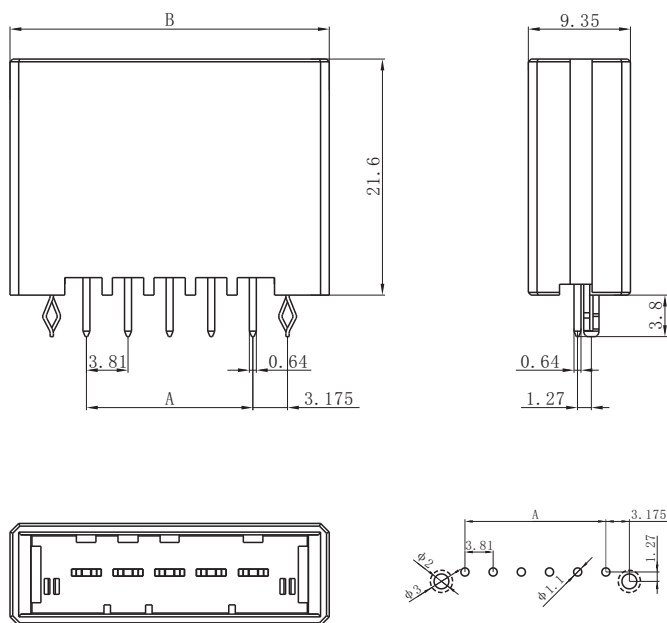
Circuits (电路)	Product name (产品名称)	Dimensions (尺寸mm)		
		A	B	C
2	DL3810-2YM	3.81	12.89	18.35
3	DL3810-3YM	7.62	16.70	22.16
4	DL3810-4YM	11.43	20.51	25.97
5	DL3810-5YM	15.24	24.32	29.78
6	DL3810-6YM	19.05	28.13	33.59
7	DL3810-7YM	22.86	31.94	37.40
8	DL3810-8YM	26.67	35.75	41.21
9	DL3810-9YM	30.48	39.56	45.02
10	DL3810-10YM	34.29	43.37	48.83
11	DL3810-11YM	38.10	47.18	52.64
12	DL3810-12YM	41.91	50.99	56.45

Material (材料)

Housing (胶壳): PBT UL94V-0

符合RoHS标准
RoHS compliance

DL38102-AM (DL3810-AM)



Circuits (电路)	Product name (产品名称)	Dimensions (尺寸mm)	
		A	B
2	DL3810-2AM	3.81	17.81
3	DL3810-3AM	7.62	21.62
4	DL3810-4AM	11.43	25.43
5	DL3810-5AM	15.24	29.24
6	DL3810-6AM	19.05	33.05
7	DL3810-7AM	22.86	36.86
8	DL3810-8AM	26.67	40.67
9	DL3810-9AM	30.48	44.48
10	DL3810-10AM	34.29	48.29
11	DL3810-11AM	38.10	52.10
12	DL3810-12AM	41.91	55.91

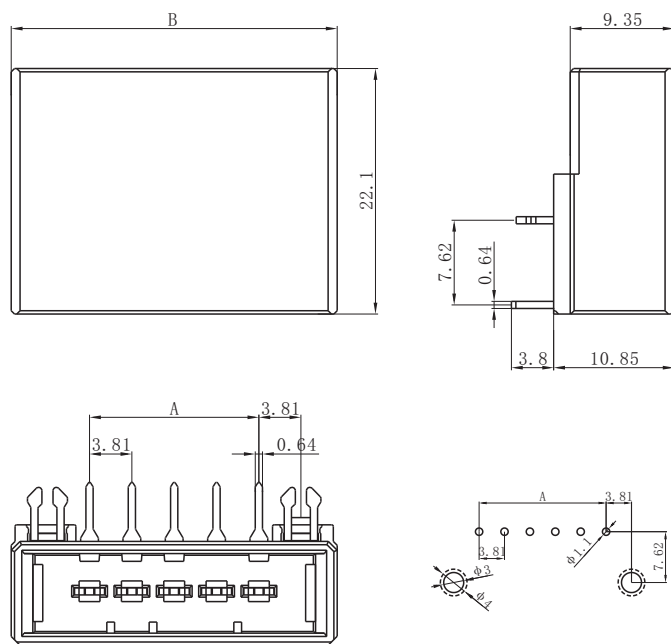
Material (材料)

Housing (胶壳): PBT UL94V-0

Wafer (接触件): Phosphor bronze (磷青铜) / Gold plated (镀金)

符合RoHS标准
RoHS compliance

DL38102-AWM (DL3810-AWM)



Circuits (电路)	Product name (产品名称)	Dimensions (尺寸mm)	
		A	B
2	DL3810-2AWM	3.81	17.81
3	DL3810-3AWM	7.62	21.62
4	DL3810-4AWM	11.43	25.43
5	DL3810-5AWM	15.24	29.24
6	DL3810-6AWM	19.05	33.05
7	DL3810-7AWM	22.86	36.86
8	DL3810-8AWM	26.67	40.67
9	DL3810-9AWM	30.48	44.48
10	DL3810-10AWM	34.29	48.29
11	DL3810-11AWM	38.10	52.10
12	DL3810-12AWM	41.91	55.91

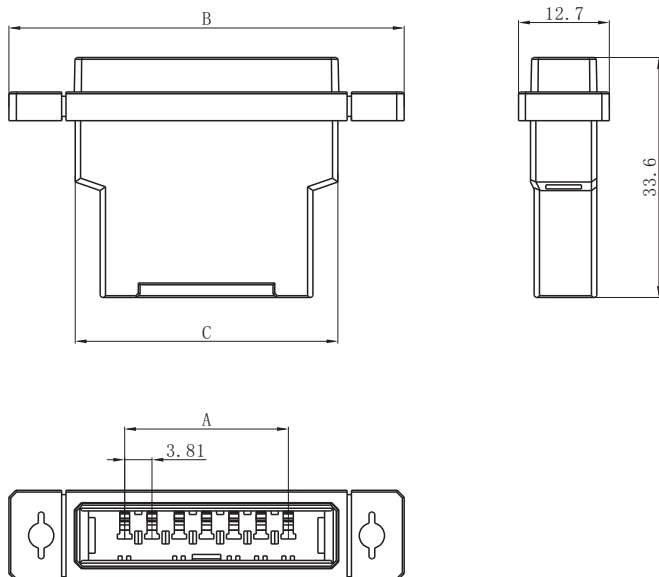
Material (材料)

Housing (胶壳): PBT UL94V-0

Wafer (接触件): Phosphor bronze (磷青铜) / Gold plated (镀金)

符合RoHS标准
RoHS compliance

□ DL38102-RM (DL3810-RM)



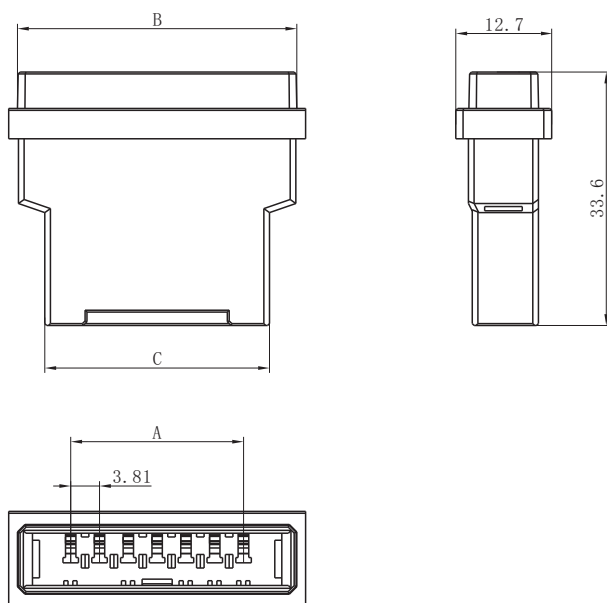
Circuits (电路)	Product name (产品名称)	Dimensions (尺寸mm)		
		A	B	C
2	DL3810-2RM	3.81	36.14	17.81
3	DL3810-3RM	7.62	39.95	21.62
4	DL3810-4RM	11.43	43.76	25.43
5	DL3810-5RM	15.24	47.57	29.24
6	DL3810-6RM	19.05	51.38	33.05
7	DL3810-7RM	22.86	55.19	36.86
8	DL3810-8RM	26.67	59.00	40.67
9	DL3810-9RM	30.48	62.81	44.48
10	DL3810-10RM	34.29	66.62	48.29
11	DL3810-11RM	38.10	70.43	52.10
12	DL3810-12RM	41.91	74.24	55.91

Material (材料)

Housing (胶壳): PBT UL94V-0

符合RoHS标准
RoHS compliance

□ DL38102-RFM (DL3810-RFM)



Circuits (电路)	Product name (产品名称)	Dimensions (尺寸mm)		
		A	B	C
2	DL3810-2RFM	3.81	17.81	10.67
3	DL3810-3RFM	7.62	21.62	14.48
4	DL3810-4RFM	11.43	25.43	18.29
5	DL3810-5RFM	15.24	29.24	22.10
6	DL3810-6RFM	19.05	33.05	25.91
7	DL3810-7RFM	22.86	36.86	29.72
8	DL3810-8RFM	26.67	40.67	33.53
9	DL3810-9RFM	30.48	44.48	37.34
10	DL3810-10RFM	34.29	48.29	41.15
11	DL3810-11RFM	38.10	52.10	44.96
12	DL3810-12RFM	41.91	55.91	48.77

Material (材料)

Housing (胶壳): PBT UL94V-0

符合RoHS标准
RoHS compliance

X-ON Electronics

Largest Supplier of Electrical and Electronic Components

Click to view similar products for [Headers & Wire Housings](#) category:

Click to view products by [DLL](#) manufacturer:

Other Similar products are found below :

[0015917161](#) [0022155065](#) [57102-F02-18ULF](#) [58102-G61-06LF](#) [582553-1](#) [01.001.5753.1](#) [0050291907](#) [02.125.8002.8](#) [609-3404](#) [61062-3](#)
[CSU011177004](#) [622-0430](#) [622-3653LF](#) [63453-116](#) [636-1030](#) [636-1427](#) [636-3427](#) [636-4007](#) [641938-9](#) [65495-038](#) [65692-001LF](#) [65781-018](#)
[65781-047](#) [65817-010LF](#) [65817-015LF](#) [67095-007LF](#) [67601157](#) [68631-112](#) [68645-018](#) [699319-000](#) [70.362.1628.0](#) [70-4210](#) [70-4226B](#) [70-](#)
[4853B](#) [71.350.2428.0](#) [733-134](#) [733-162](#) [760-3052](#) [MHR-64-VUAL](#) [80.063.4001.1](#) [800-90-001-10-001000](#) [801-43-002-10-013000](#)
[801-43-006-10-002000](#) [803-43-024-10-001000](#) [803-93-012-10-001000](#) [8-1437020-4](#) [819-22-004-30-001101](#) [820-22-006-30-001101](#)
[820-22-008-30-001101](#) [821-22-002-10-001101](#)