

技术特性/Specifications:

额定电压 Rated voltage: 250V AC, DC
 额定电流 Rated current: 15A max AC, DC
 接触电阻 Contact resistance: 10mΩ max
 绝缘电阻 Insulation resistance: 1000MΩ min
 耐压 Withstand voltage: 1500V AC/minute
 环境温度 Ambient temperature: -25°C~+85°C
 适用线规 Wire range: AWG#24~#14

标准/Standard:

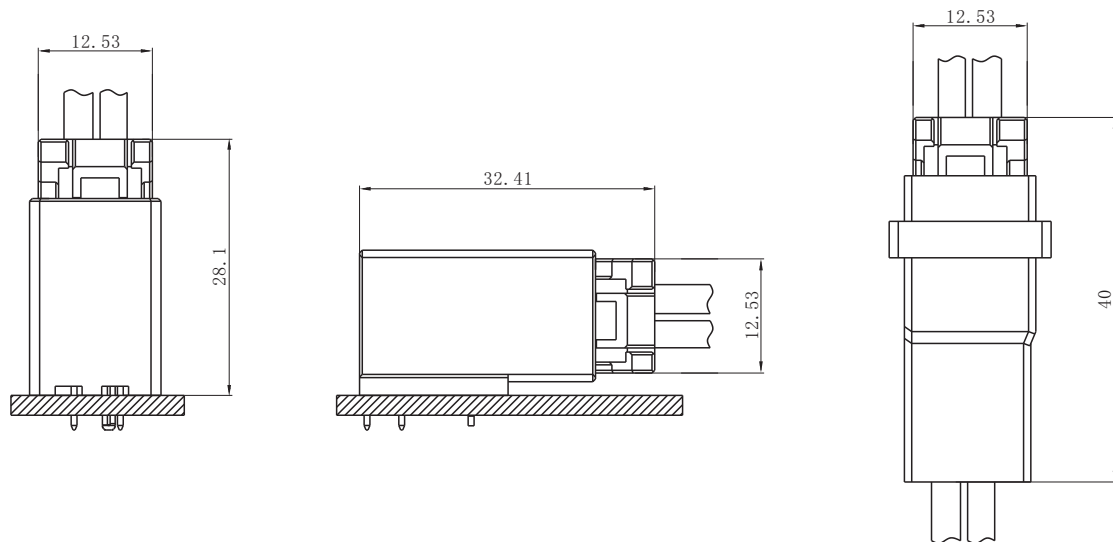


详细参数请咨询:

- E-mail: manager@zjdll.com
- E-mail: technical-support@zjdll.com
- WeChat: 13867778918

PC电路板布局和组件布局 PC board layout and Assembly layout

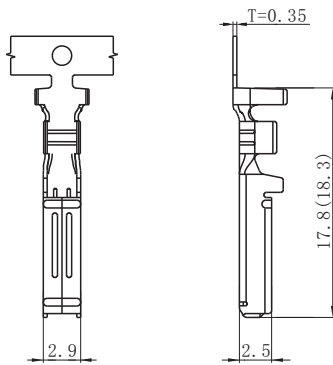
□ Assembly layout (装配布局)



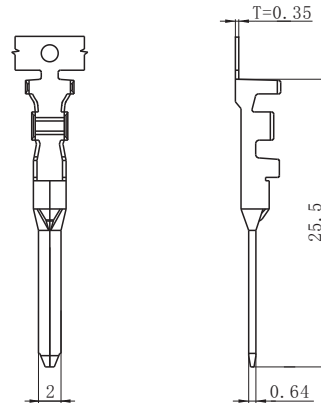
上图为连接器安装侧观察图

Notes: The above figure is the figure viewed from the connector mounting side.

□ DL38101-T (DL3810-T)



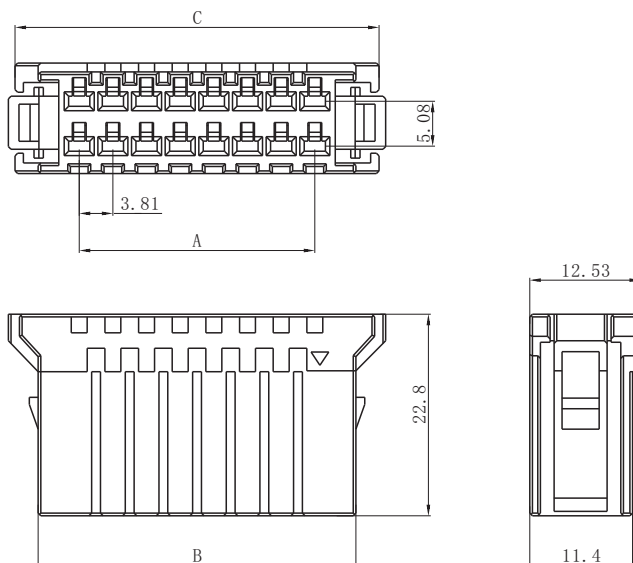
□ DL38101-RT (DL3810-RT)



| Model No. (型号) | Applicable wire (适用线规) | | | Material (材料) | Plating (电镀) | Qty/reel (数量/盘) |
|----------------------------|------------------------|-------|---------------------------|-----------------------|------------------|-----------------|
| | mm ² | AWG# | Insulation O. D. (绝缘外径mm) | | | |
| DL38101-T (DL3810-T) | 0.50~1.25 | 20~16 | φ 1.8~2.8 | Phosphor bronze (磷青铜) | Gold Plated (镀金) | 3000 |
| DL38101-T-D (DL3810-T-D) | 0.20~0.50 | 24~20 | φ 1.2~2.6 | Phosphor bronze (磷青铜) | Gold Plated (镀金) | 3000 |
| DL38101-T-G (DL3810-T-G) | 1.25~2.00 | 16~14 | φ 2.4~3.4 | Phosphor bronze (磷青铜) | Gold Plated (镀金) | 3000 |
| DL38101-RT (DL3810-RT) | 0.50~1.25 | 20~16 | φ 1.8~2.8 | Phosphor bronze (磷青铜) | Gold Plated (镀金) | 3000 |
| DL38101-RT-D (DL3810-RT-D) | 0.20~0.50 | 24~20 | φ 1.2~2.6 | Phosphor bronze (磷青铜) | Gold Plated (镀金) | 3000 |
| DL38101-RT-G (DL3810-RT-G) | 1.25~2.00 | 16~14 | φ 2.4~3.4 | Phosphor bronze (磷青铜) | Gold Plated (镀金) | 3000 |

符合RoHS标准
RoHS compliance

□ DL38101-Y (DL3810-Y)



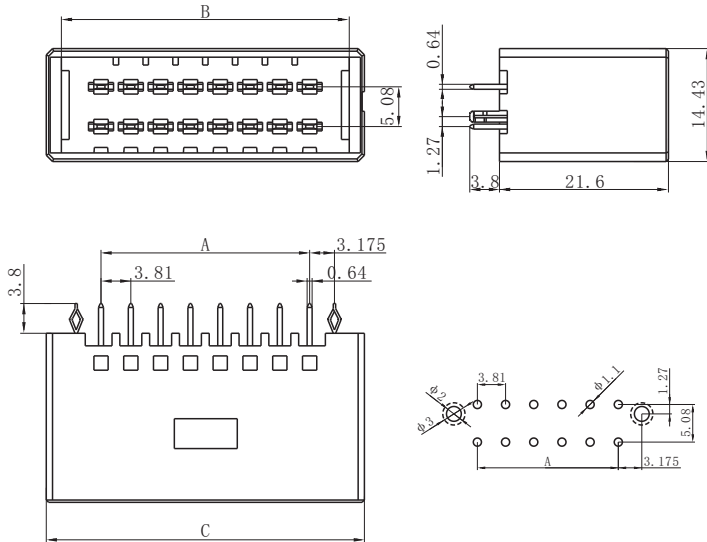
| Circuits (电路) | Product name (产品名称) | Dimensions (尺寸mm) | | |
|---------------|---------------------|-------------------|-------|-------|
| | | A | B | C |
| 2X2 | DL3810-4Y | 3.81 | 13.11 | 18.35 |
| 2X3 | DL3810-6Y | 7.62 | 16.92 | 22.16 |
| 2X4 | DL3810-8Y | 11.43 | 20.73 | 25.97 |
| 2X5 | DL3810-10Y | 15.24 | 24.54 | 29.78 |
| 2X6 | DL3810-12Y | 19.05 | 28.35 | 33.59 |
| 2X7 | DL3810-14Y | 22.86 | 32.16 | 37.40 |
| 2X8 | DL3810-16Y | 26.67 | 35.97 | 41.21 |
| 2X9 | DL3810-18Y | 30.48 | 39.78 | 45.02 |
| 2X10 | DL3810-20Y | 34.29 | 43.59 | 48.83 |
| 2X11 | DL3810-22Y | 38.10 | 47.40 | 52.64 |
| 2X12 | DL3810-24Y | 41.91 | 51.21 | 56.45 |

Material (材料)

Housing (胶壳): PBT UL94V-0

符合RoHS标准
RoHS compliance

DL38101-A (DL3810-A)



| Circuits (电路) | Product name (产品名称) | Dimensions (尺寸mm) | | |
|------------------|------------------------|-------------------|-------|-------|
| | | A | B | C |
| 2X2 | DL3810-4A | 3.81 | 13.94 | 17.81 |
| 2X3 | DL3810-6A | 7.62 | 17.75 | 21.62 |
| 2X4 | DL3810-8A | 11.43 | 21.56 | 25.43 |
| 2X5 | DL3810-10A | 15.24 | 25.37 | 29.24 |
| 2X6 | DL3810-12A | 19.05 | 29.18 | 33.05 |
| 2X7 | DL3810-14A | 22.86 | 32.99 | 36.86 |
| 2X8 | DL3810-16A | 26.67 | 36.80 | 40.67 |
| 2X9 | DL3810-18A | 30.48 | 40.61 | 44.48 |
| 2X10 | DL3810-20A | 34.29 | 44.42 | 48.29 |
| 2X11 | DL3810-22A | 38.10 | 48.23 | 52.10 |
| 2X12 | DL3810-24A | 41.91 | 52.04 | 55.91 |

Material (材料)

Housing (胶壳): PBT UL94V-0

Wafer (接触件): Phosphor bronze (磷青铜) / Gold plated (镀金)

符合RoHS标准
RoHS compliance

DL38101-AW (DL3810-AW)



| Circuits (电路) | Product name (产品名称) | Dimensions (尺寸mm) | | |
|------------------|------------------------|-------------------|-------|-------|
| | | A | B | C |
| 2X2 | DL3810-4AW | 3.81 | 13.94 | 17.81 |
| 2X3 | DL3810-6AW | 7.62 | 17.75 | 21.62 |
| 2X4 | DL3810-8AW | 11.43 | 21.56 | 25.43 |
| 2X5 | DL3810-10AW | 15.24 | 25.37 | 29.24 |
| 2X6 | DL3810-12AW | 19.05 | 29.18 | 33.05 |
| 2X7 | DL3810-14AW | 22.86 | 32.99 | 36.86 |
| 2X8 | DL3810-16AW | 26.67 | 36.80 | 40.67 |
| 2X9 | DL3810-18AW | 30.48 | 40.61 | 44.48 |
| 2X10 | DL3810-20AW | 34.29 | 44.42 | 48.29 |
| 2X11 | DL3810-22AW | 38.10 | 48.23 | 52.10 |
| 2X12 | DL3810-24AW | 41.91 | 52.04 | 55.91 |

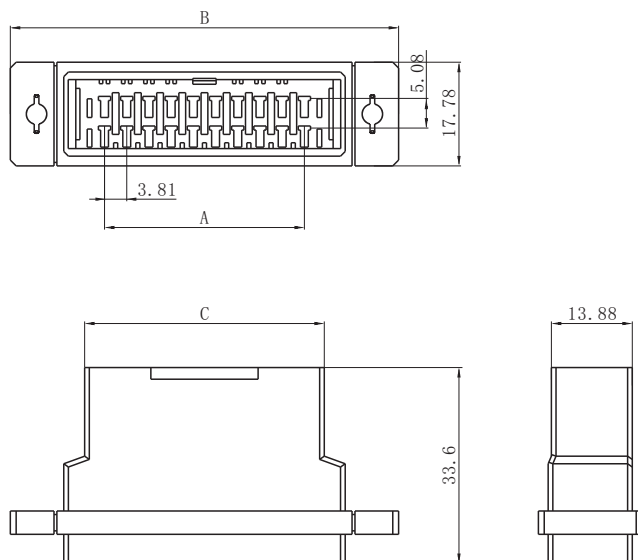
Material (材料)

Housing (胶壳): PBT UL94V-0

Wafer (接触件): Phosphor bronze (磷青铜) / Gold plated (镀金)

符合RoHS标准
RoHS compliance

□ DL38101-R (DL3810-R)



| Circuits (电路) | Product name (产品名称) | Dimensions (尺寸mm) | | |
|------------------|------------------------|-------------------|-------|-------|
| | | A | B | C |
| 2X2 | DL3810-4R | 3.81 | 36.14 | 10.64 |
| 2X3 | DL3810-6R | 7.62 | 39.95 | 14.45 |
| 2X4 | DL3810-8R | 11.43 | 43.76 | 18.26 |
| 2X5 | DL3810-10R | 15.24 | 47.57 | 22.07 |
| 2X6 | DL3810-12R | 19.05 | 51.38 | 25.88 |
| 2X7 | DL3810-14R | 22.86 | 55.19 | 29.69 |
| 2X8 | DL3810-16R | 26.67 | 59.00 | 33.50 |
| 2X9 | DL3810-18R | 30.48 | 62.81 | 37.31 |
| 2X10 | DL3810-20R | 34.29 | 66.62 | 41.12 |
| 2X11 | DL3810-22R | 38.10 | 70.43 | 44.93 |
| 2X12 | DL3810-24R | 41.91 | 74.24 | 48.74 |

Material (材料)

Housing (胶壳): PBT UL94V-0

符合RoHS标准
RoHS compliance

□ DL38101-RF (DL3810-RF)



| Circuits (电路) | Product name (产品名称) | Dimensions (尺寸mm) | | |
|------------------|------------------------|-------------------|-------|-------|
| | | A | B | C |
| 2X2 | DL3810-4RF | 3.81 | 10.64 | 22.21 |
| 2X3 | DL3810-6RF | 7.62 | 14.45 | 26.02 |
| 2X4 | DL3810-8RF | 11.43 | 18.26 | 29.83 |
| 2X5 | DL3810-10RF | 15.24 | 22.07 | 33.64 |
| 2X6 | DL3810-12RF | 19.05 | 25.88 | 37.45 |
| 2X7 | DL3810-14RF | 22.86 | 29.69 | 41.26 |
| 2X8 | DL3810-16RF | 26.67 | 33.50 | 45.07 |
| 2X9 | DL3810-18RF | 30.48 | 37.31 | 48.88 |
| 2X10 | DL3810-20RF | 34.29 | 41.12 | 52.69 |
| 2X11 | DL3810-22RF | 38.10 | 44.93 | 56.50 |
| 2X12 | DL3810-24RF | 41.91 | 48.74 | 60.31 |

Material (材料)

Housing (胶壳): PBT UL94V-0

符合RoHS标准
RoHS compliance

X-ON Electronics

Largest Supplier of Electrical and Electronic Components

Click to view similar products for [Headers & Wire Housings](#) category:

Click to view products by [DLL](#) manufacturer:

Other Similar products are found below :

[0015917161](#) [0022155065](#) [57102-F02-18ULF](#) [58102-G61-06LF](#) [582553-1](#) [01.001.5753.1](#) [0050291907](#) [02.125.8002.8](#) [609-3404](#) [61062-3](#)
[CSU011177004](#) [622-0430](#) [622-3653LF](#) [63453-116](#) [636-1030](#) [636-1427](#) [636-3427](#) [636-4007](#) [641938-9](#) [65495-038](#) [65692-001LF](#) [65781-018](#)
[65781-047](#) [65817-010LF](#) [65817-015LF](#) [67095-007LF](#) [67601157](#) [68631-112](#) [68645-018](#) [699319-000](#) [70.362.1628.0](#) [70-4210](#) [70-4226B](#) [70-](#)
[4853B](#) [71.350.2428.0](#) [733-134](#) [733-162](#) [760-3052](#) [MHR-64-VUAL](#) [80.063.4001.1](#) [800-90-001-10-001000](#) [801-43-002-10-013000](#)
[801-43-006-10-002000](#) [803-43-024-10-001000](#) [803-93-012-10-001000](#) [8-1437020-4](#) [819-22-004-30-001101](#) [820-22-006-30-001101](#)
[820-22-008-30-001101](#) [821-22-002-10-001101](#)