

### 技术特性/Specifications:

额定电压 Rated voltage: 250V AC, DC  
 额定电流 Rated current: 15A max AC, DC  
 接触电阻 Contact resistance: 10mΩ max  
 绝缘电阻 Insulation resistance: 1000MΩ min  
 耐压 Withstand voltage: 1500V AC/minute  
 环境温度 Ambient temperature: -25°C~+85°C  
 适用线规 Wire range: AWG#24~#14

### 标准/Standard:

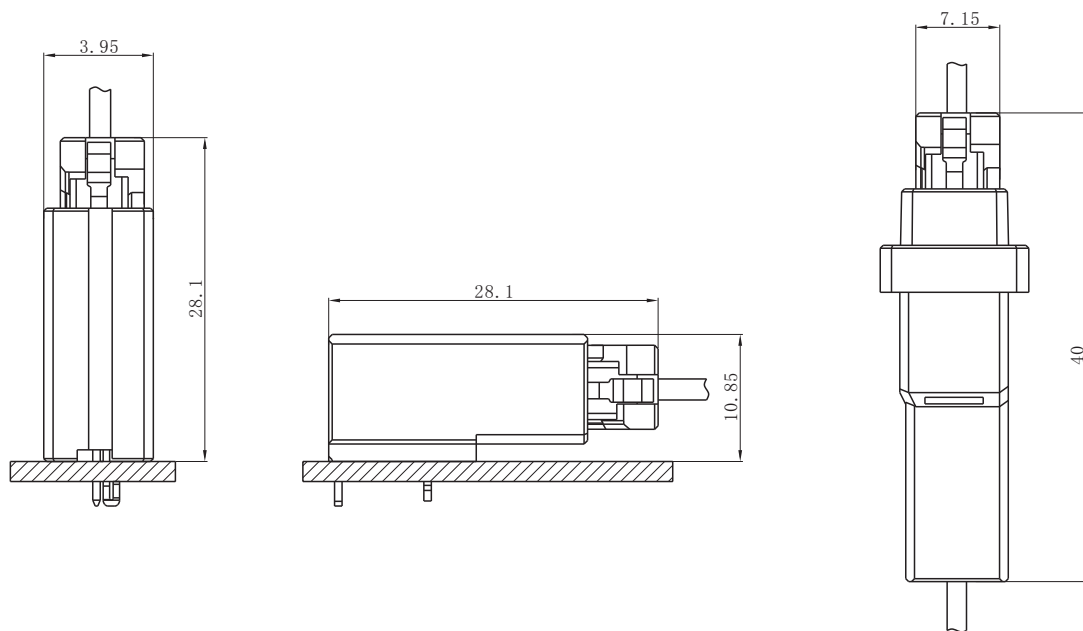


详细参数请咨询:

- E-mail: manager@zjdll.com
- E-mail: technical-support@zjdll.com
- WeChat: 13867778918

## PC电路板布局和组件布局 PC board layout and Assembly layout

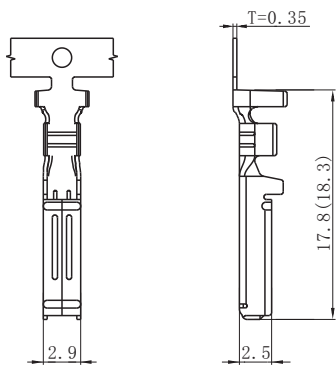
### □ Assembly layout (装配布局)



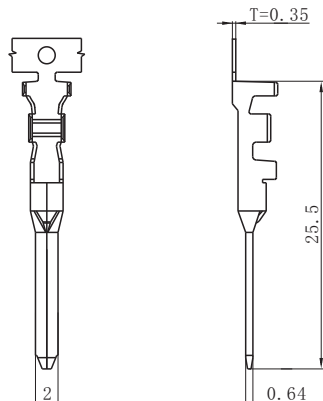
上图为连接器安装侧观察图

Notes: The above figure is the figure viewed from the connector mounting side.

□ DL38102-T (DL3810-T)



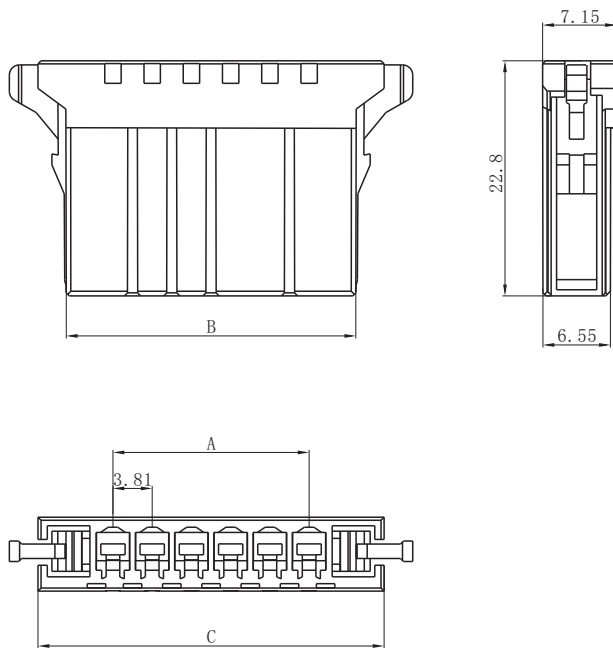
□ DL38102-RT (DL3810-RT)



| Model No. (型号)             | Applicable wire (适用线规) |       |                           | Material (材料)         | Plating (电镀)     | Qty/reel (数量/盘) |
|----------------------------|------------------------|-------|---------------------------|-----------------------|------------------|-----------------|
|                            | mm <sup>2</sup>        | AWG#  | Insulation O. D. (绝缘外径mm) |                       |                  |                 |
| DL38201-T (DL3810-T)       | 0.50~1.25              | 20~16 | φ 1.8~2.8                 | Phosphor bronze (磷青铜) | Gold Plated (镀金) | 3000            |
| DL38102-T-D (DL3810-T-D)   | 0.20~0.50              | 24~20 | φ 1.2~2.6                 | Phosphor bronze (磷青铜) | Gold Plated (镀金) | 3000            |
| DL38102-T-G (DL3810-T-G)   | 1.25~2.00              | 16~14 | φ 2.4~3.4                 | Phosphor bronze (磷青铜) | Gold Plated (镀金) | 3000            |
| DL38102-RT (DL3810-RT)     | 0.50~1.25              | 20~16 | φ 1.8~2.8                 | Phosphor bronze (磷青铜) | Gold Plated (镀金) | 3000            |
| DL38102-RT-D (DL3810-RT-D) | 0.20~0.50              | 24~20 | φ 1.2~2.6                 | Phosphor bronze (磷青铜) | Gold Plated (镀金) | 3000            |
| DL38102-RT-G (DL3810-RT-G) | 1.25~2.00              | 16~14 | φ 2.4~3.4                 | Phosphor bronze (磷青铜) | Gold Plated (镀金) | 3000            |

符合RoHS标准  
RoHS compliance

□ DL38102-YM (DL3810-YM)



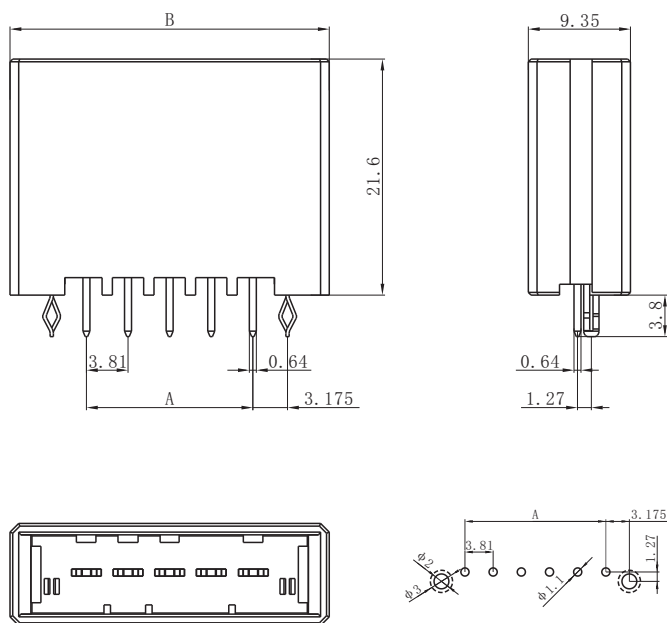
| Circuits (电路) | Product name (产品名称) | Dimensions (尺寸mm) |       |       |
|---------------|---------------------|-------------------|-------|-------|
|               |                     | A                 | B     | C     |
| 2             | DL3810-2YM          | 3.81              | 12.89 | 18.35 |
| 3             | DL3810-3YM          | 7.62              | 16.70 | 22.16 |
| 4             | DL3810-4YM          | 11.43             | 20.51 | 25.97 |
| 5             | DL3810-5YM          | 15.24             | 24.32 | 29.78 |
| 6             | DL3810-6YM          | 19.05             | 28.13 | 33.59 |
| 7             | DL3810-7YM          | 22.86             | 31.94 | 37.40 |
| 8             | DL3810-8YM          | 26.67             | 35.75 | 41.21 |
| 9             | DL3810-9YM          | 30.48             | 39.56 | 45.02 |
| 10            | DL3810-10YM         | 34.29             | 43.37 | 48.83 |
| 11            | DL3810-11YM         | 38.10             | 47.18 | 52.64 |
| 12            | DL3810-12YM         | 41.91             | 50.99 | 56.45 |

Material (材料)

Housing (胶壳): PBT UL94V-0

符合RoHS标准  
RoHS compliance

### DL38102-AM (DL3810-AM)



| Circuits<br>(电路) | Product name<br>(产品名称) | Dimensions (尺寸mm) |       |
|------------------|------------------------|-------------------|-------|
|                  |                        | A                 | B     |
| 2                | DL3810-2AM             | 3.81              | 17.81 |
| 3                | DL3810-3AM             | 7.62              | 21.62 |
| 4                | DL3810-4AM             | 11.43             | 25.43 |
| 5                | DL3810-5AM             | 15.24             | 29.24 |
| 6                | DL3810-6AM             | 19.05             | 33.05 |
| 7                | DL3810-7AM             | 22.86             | 36.86 |
| 8                | DL3810-8AM             | 26.67             | 40.67 |
| 9                | DL3810-9AM             | 30.48             | 44.48 |
| 10               | DL3810-10AM            | 34.29             | 48.29 |
| 11               | DL3810-11AM            | 38.10             | 52.10 |
| 12               | DL3810-12AM            | 41.91             | 55.91 |

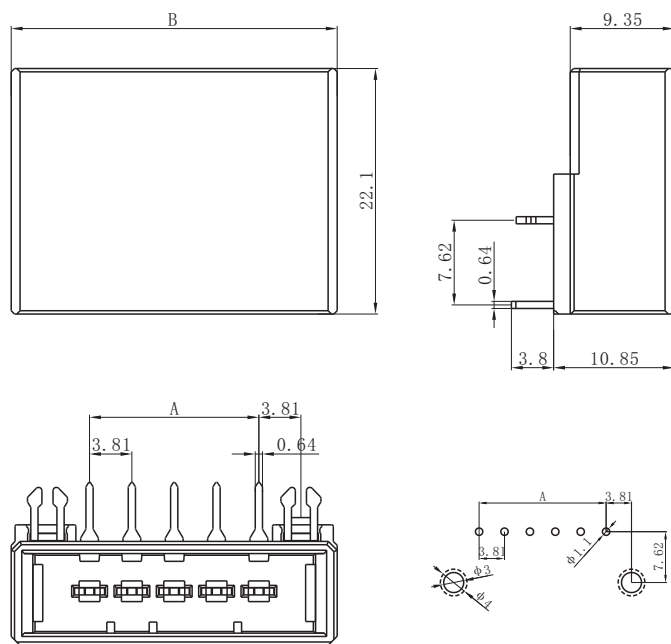
#### Material (材料)

Housing (胶壳): PBT UL94V-0

Wafer (接触件): Phosphor bronze (磷青铜) / Gold plated (镀金)

符合RoHS标准  
RoHS compliance

### DL38102-AWM (DL3810-AWM)



| Circuits<br>(电路) | Product name<br>(产品名称) | Dimensions (尺寸mm) |       |
|------------------|------------------------|-------------------|-------|
|                  |                        | A                 | B     |
| 2                | DL3810-2AWM            | 3.81              | 17.81 |
| 3                | DL3810-3AWM            | 7.62              | 21.62 |
| 4                | DL3810-4AWM            | 11.43             | 25.43 |
| 5                | DL3810-5AWM            | 15.24             | 29.24 |
| 6                | DL3810-6AWM            | 19.05             | 33.05 |
| 7                | DL3810-7AWM            | 22.86             | 36.86 |
| 8                | DL3810-8AWM            | 26.67             | 40.67 |
| 9                | DL3810-9AWM            | 30.48             | 44.48 |
| 10               | DL3810-10AWM           | 34.29             | 48.29 |
| 11               | DL3810-11AWM           | 38.10             | 52.10 |
| 12               | DL3810-12AWM           | 41.91             | 55.91 |

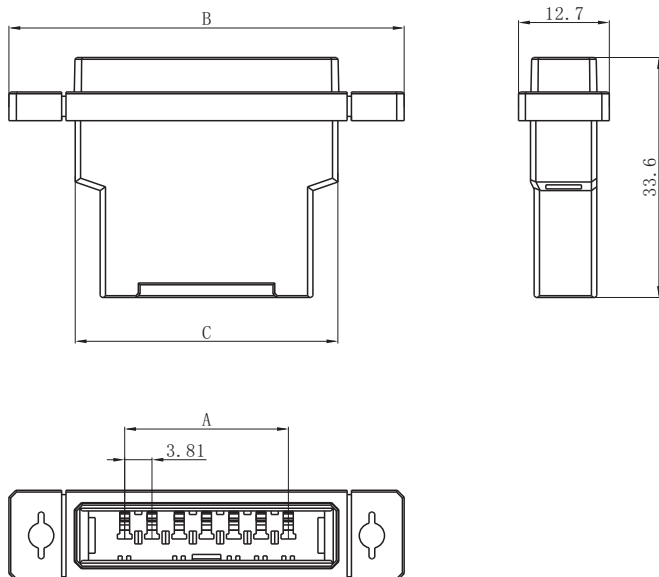
#### Material (材料)

Housing (胶壳): PBT UL94V-0

Wafer (接触件): Phosphor bronze (磷青铜) / Gold plated (镀金)

符合RoHS标准  
RoHS compliance

### DL38102-RM (DL3810-RM)



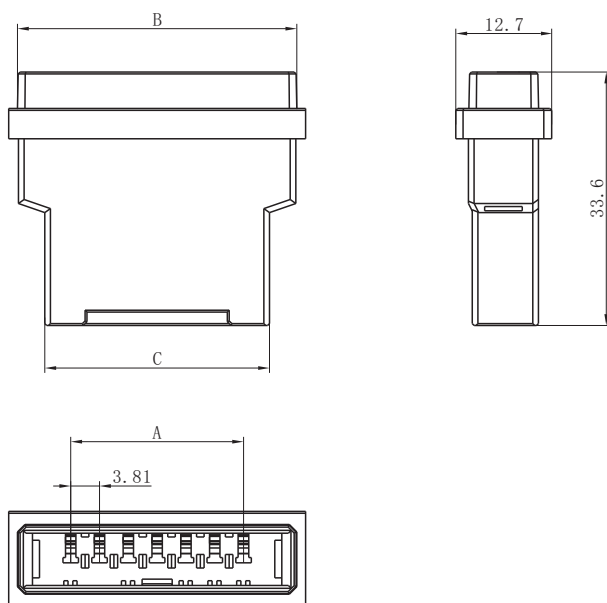
| Circuits<br>(电路) | Product name<br>(产品名称) | Dimensions (尺寸mm) |       |       |
|------------------|------------------------|-------------------|-------|-------|
|                  |                        | A                 | B     | C     |
| 2                | DL3810-2RM             | 3.81              | 36.14 | 17.81 |
| 3                | DL3810-3RM             | 7.62              | 39.95 | 21.62 |
| 4                | DL3810-4RM             | 11.43             | 43.76 | 25.43 |
| 5                | DL3810-5RM             | 15.24             | 47.57 | 29.24 |
| 6                | DL3810-6RM             | 19.05             | 51.38 | 33.05 |
| 7                | DL3810-7RM             | 22.86             | 55.19 | 36.86 |
| 8                | DL3810-8RM             | 26.67             | 59.00 | 40.67 |
| 9                | DL3810-9RM             | 30.48             | 62.81 | 44.48 |
| 10               | DL3810-10RM            | 34.29             | 66.62 | 48.29 |
| 11               | DL3810-11RM            | 38.10             | 70.43 | 52.10 |
| 12               | DL3810-12RM            | 41.91             | 74.24 | 55.91 |

#### Material (材料)

Housing (胶壳): PBT UL94V-0

符合RoHS标准  
RoHS compliance

### DL38102-RFM (DL3810-RFM)



| Circuits<br>(电路) | Product name<br>(产品名称) | Dimensions (尺寸mm) |       |       |
|------------------|------------------------|-------------------|-------|-------|
|                  |                        | A                 | B     | C     |
| 2                | DL3810-2RFM            | 3.81              | 17.81 | 10.67 |
| 3                | DL3810-3RFM            | 7.62              | 21.62 | 14.48 |
| 4                | DL3810-4RFM            | 11.43             | 25.43 | 18.29 |
| 5                | DL3810-5RFM            | 15.24             | 29.24 | 22.10 |
| 6                | DL3810-6RFM            | 19.05             | 33.05 | 25.91 |
| 7                | DL3810-7RFM            | 22.86             | 36.86 | 29.72 |
| 8                | DL3810-8RFM            | 26.67             | 40.67 | 33.53 |
| 9                | DL3810-9RFM            | 30.48             | 44.48 | 37.34 |
| 10               | DL3810-10RFM           | 34.29             | 48.29 | 41.15 |
| 11               | DL3810-11RFM           | 38.10             | 52.10 | 44.96 |
| 12               | DL3810-12RFM           | 41.91             | 55.91 | 48.77 |

#### Material (材料)

Housing (胶壳): PBT UL94V-0

符合RoHS标准  
RoHS compliance

## X-ON Electronics

Largest Supplier of Electrical and Electronic Components

*Click to view similar products for [Headers & Wire Housings](#) category:*

*Click to view products by [DLL](#) manufacturer:*

Other Similar products are found below :

[0015917161](#) [0022155065](#) [57102-F02-18ULF](#) [58102-G61-06LF](#) [582553-1](#) [01.001.5753.1](#) [0050291907](#) [02.125.8002.8](#) [609-3404](#) [61062-3](#)  
[CSU011177004](#) [622-0430](#) [622-3653LF](#) [63453-116](#) [636-1030](#) [636-1427](#) [636-3427](#) [636-4007](#) [641938-9](#) [65495-038](#) [65692-001LF](#) [65781-018](#)  
[65781-047](#) [65817-010LF](#) [65817-015LF](#) [67095-007LF](#) [67601157](#) [68631-112](#) [68645-018](#) [699319-000](#) [70.362.1628.0](#) [70-4210](#) [70-4226B](#) [70-](#)  
[4853B](#) [71.350.2428.0](#) [733-134](#) [733-162](#) [760-3052](#) [MHR-64-VUAL](#) [80.063.4001.1](#) [800-90-001-10-001000](#) [801-43-002-10-013000](#)  
[801-43-006-10-002000](#) [803-43-024-10-001000](#) [803-93-012-10-001000](#) [8-1437020-4](#) [819-22-004-30-001101](#) [820-22-006-30-001101](#)  
[820-22-008-30-001101](#) [821-22-002-10-001101](#)