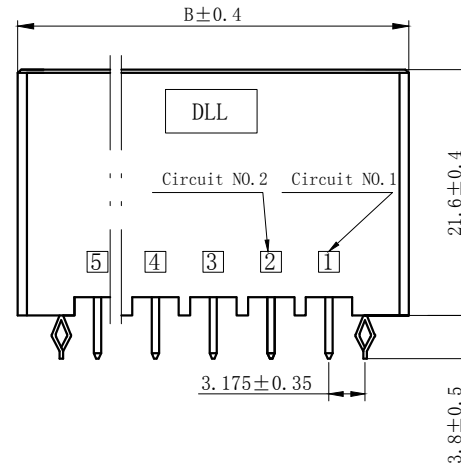
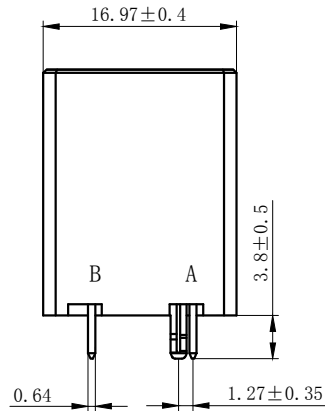


技术特性/Specifications:

额定电压 Rated voltage: 600V AC, DC
额定电流 Rated current: 15A AC, DC max
接触电阻 Contact resistance: 10m Ω max
绝缘电阻 Insulation resistance: 1000M Ω min
耐压 Withstand voltage: 220V AC/minute
环境温度 Ambient temperature: -40 $^{\circ}$ C~+105 $^{\circ}$ C
适用线规 Wire range: AWG#32~#28

| | | | |
|------|----------------------|------|------|
| REV. | REVISION DESCRIPTION | DATE | APPD |
| | | | |



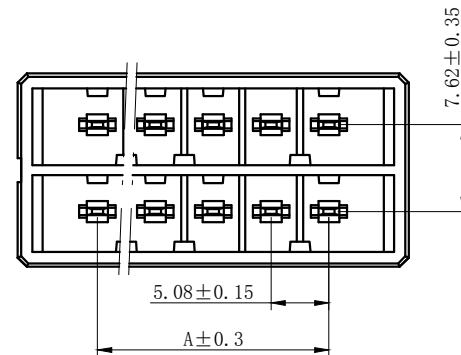
NORES:

1. Rated voltage: 600V AC.DC
2. Rated current: 15A AC DC (Max)
3. Contact resistance: $\leq 10 \text{ m}\Omega$
4. Insulation resistance: $\geq 1000 \text{ M}\Omega$
5. Withstand voltage: 2200V AC/minute
6. Ambient temprature: $-40^{\circ}\text{C} \sim +105^{\circ}\text{C}$
7. Materials: PBT UL94V-0
8. Matched RoHS criteria
9. PIN materials: phosphor bronze
10. Finish: Gold plated over Ni

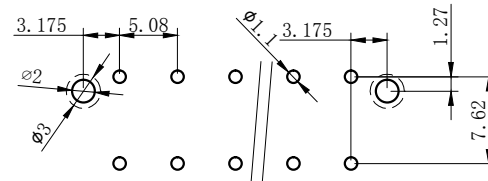
ORDERING INFORMATION

DL50804 - XX A - X XX - X X - X - XX
 1 2 3 4 5 6 7 8 9

1. PART NO.
2. .NO. OF CIRCUIT
3. CONN. TYPE
4. MATERIAL: 0:PA66 V0 1:PA66 V1 2:PA66 V2 3:PA66 V0 750 °C
4:LCP 5:PBT 6:PA9T 7:9A6T 8:GF PA66
5. COLOR: NA:NATURE RE:RED BR:BROWN
GY:GREY BK:BLACK YE:YELLOW
BL:BLUE GR:GREEN PU:PURPLE PI:PINK
OR:ORANGE TR:TRANSPARENT OT:OTHER
6. CONTACT MATERIAL: P:PHOSPHOR BRONZE B:BRASS
7. FINISH: T:TIN MT:MATT TIN BG/QG:GOLD S:SILVER
8. STYLE: Z:WITHOUT K K:WITH K
9. SERIAL NUMBER: 00.01.02.....



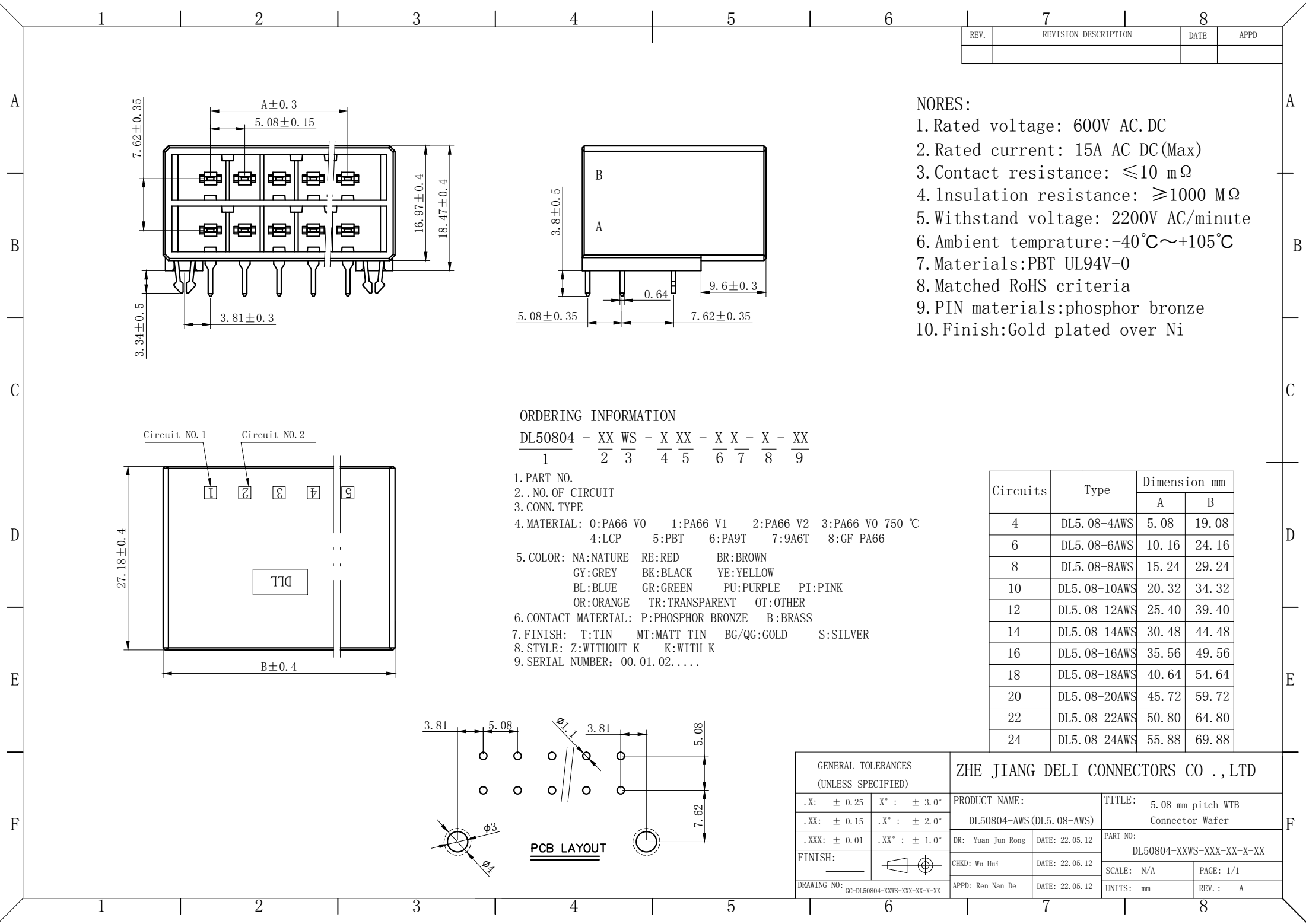
| Circuits | Type | Dimension mm | |
|----------|------------|--------------|-------|
| | | A | B |
| 4 | DL5.08-4A | 5.08 | 19.08 |
| 6 | DL5.08-6A | 10.16 | 24.16 |
| 8 | DL5.08-8A | 15.24 | 29.24 |
| 10 | DL5.08-10A | 20.32 | 34.32 |
| 12 | DL5.08-12A | 25.40 | 39.40 |
| 14 | DL5.08-14A | 30.48 | 44.48 |
| 16 | DL5.08-16A | 35.56 | 49.56 |
| 18 | DL5.08-18A | 40.64 | 54.64 |
| 20 | DL5.08-20A | 45.72 | 59.72 |
| 22 | DL5.08-22A | 50.80 | 64.80 |
| 24 | DL5.08-24A | 55.88 | 69.88 |



PCB LAYOUT

| | | | |
|---|--------------|---------------------------------------|---|
| GENERAL TOLERANCES (UNLESS SPECIFIED) | | ZHE JIANG DELI CONNECTORS CO., LTD | |
| .X: ± 0.25 | X°: ± 3.0° | PRODUCT NAME: DL50804-A (DL5.08-A) | TITLE: 5.08 mm pitch WTB Connector Wafer |
| .XX: ± 0.15 | .X°: ± 2.0° | DR: Yuan Jun Rong | DATE: 22.05.12 |
| .XXX: ± 0.01 | .XX°: ± 1.0° | CHKD: Wu Hui | DATE: 22.05.12 |
| FINISH: | | APPD: Ren Nan De | DATE: 22.05.12 |
| DRAWING NO: GC-DL50804-XXA-XXX-XX-X-XX | | PART NO: DL50804-XXA-XXX-XX-X-XX | |
| | | SCALE: N/A | PAGE: 1/1 |
| | | UNITS: mm | REV.: A |

| | | | |
|------|----------------------|------|------|
| REV. | REVISION DESCRIPTION | DATE | APPD |
| | | | |



NORES:

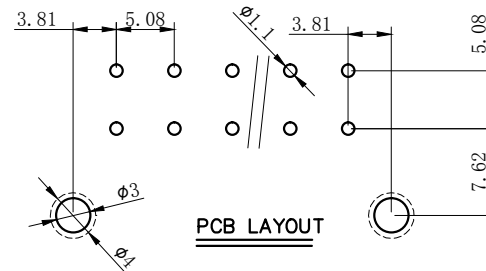
1. Rated voltage: 600V AC.DC
2. Rated current: 15A AC DC(Max)
3. Contact resistance: $\leq 10 \text{ m}\Omega$
4. Insulation resistance: $\geq 1000 \text{ M}\Omega$
5. Withstand voltage: 2200V AC/minute
6. Ambient temperature: $-40^\circ\text{C} \sim +105^\circ\text{C}$
7. Materials: PBT UL94V-0
8. Matched RoHS criteria
9. PIN materials: phosphor bronze
10. Finish: Gold plated over Ni

ORDERING INFORMATION

DL50804 - XX WS - X XX - X X - X - XX
 1 2 3 4 5 6 7 8 9

1. PART NO.
2. NO. OF CIRCUIT
3. CONN. TYPE
4. MATERIAL: 0:PA66 V0 1:PA66 V1 2:PA66 V2 3:PA66 V0 750 °C
 4:LCP 5:PBT 6:PA9T 7:9A6T 8:GF PA66
5. COLOR: NA:NATURE RE:RED BR:BROWN
 GY:GREY BK:BLACK YE:YELLOW
 BL:BLUE GR:GREEN PU:PURPLE PI:PINK
 OR:ORANGE TR:TRANSPARENT OT:OTHER
6. CONTACT MATERIAL: P:PHOSPHOR BRONZE B:BRASS
7. FINISH: T:TIN MT:MATT TIN BG/QG:GOLD S:SILVER
8. STYLE: Z:WITHOUT K K:WITH K
9. SERIAL NUMBER: 00.01.02.....

| Circuits | Type | Dimension mm | |
|----------|--------------|--------------|-------|
| | | A | B |
| 4 | DL5.08-4AWS | 5.08 | 19.08 |
| 6 | DL5.08-6AWS | 10.16 | 24.16 |
| 8 | DL5.08-8AWS | 15.24 | 29.24 |
| 10 | DL5.08-10AWS | 20.32 | 34.32 |
| 12 | DL5.08-12AWS | 25.40 | 39.40 |
| 14 | DL5.08-14AWS | 30.48 | 44.48 |
| 16 | DL5.08-16AWS | 35.56 | 49.56 |
| 18 | DL5.08-18AWS | 40.64 | 54.64 |
| 20 | DL5.08-20AWS | 45.72 | 59.72 |
| 22 | DL5.08-22AWS | 50.80 | 64.80 |
| 24 | DL5.08-24AWS | 55.88 | 69.88 |

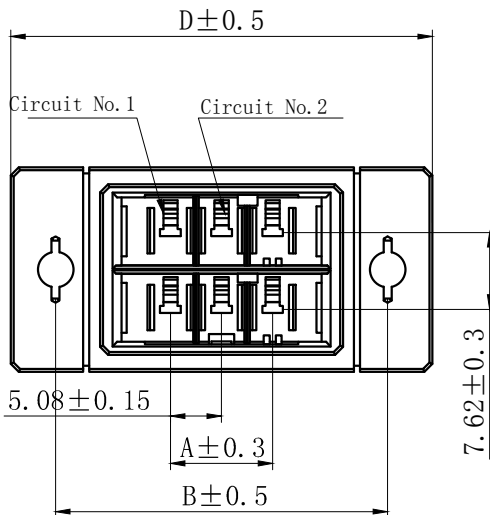
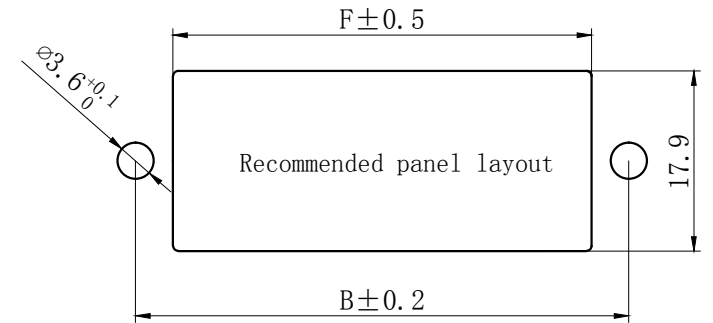
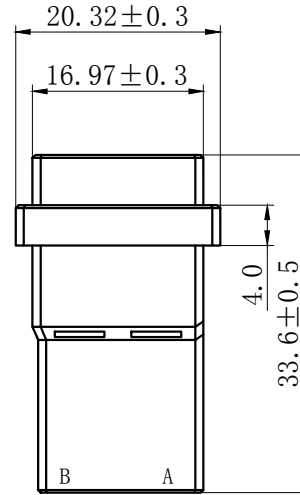
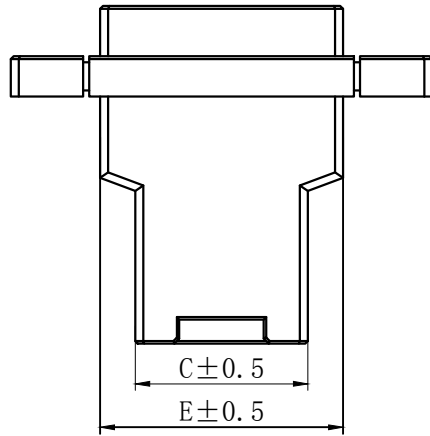
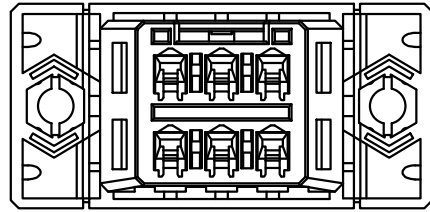


| | | | |
|--|--------------|---|--|
| GENERAL TOLERANCES (UNLESS SPECIFIED) | | ZHE JIANG DELI CONNECTORS CO., LTD | |
| .X: ± 0.25 | .X°: ± 3.0° | PRODUCT NAME: DL50804-AWS (DL5.08-AWS) | TITLE: 5.08 mm pitch WTB Connector Wafer |
| .XX: ± 0.15 | .X°: ± 2.0° | DR: Yuan Jun Rong | DATE: 22.05.12 |
| .XXX: ± 0.01 | .XX°: ± 1.0° | DATE: 22.05.12 | PART NO: DL50804-XXWS-XXX-XX-X-XX |
| FINISH: | | CHKD: Wu Hui | DATE: 22.05.12 |
| DRAWING NO: GC-DL50804-XXWS-XXX-XX-X-XX | | APPD: Ren Nan De | DATE: 22.05.12 |
| | | SCALE: N/A | PAGE: 1/1 |
| | | UNITS: mm | REV.: A |

| REV. | REVISION DESCRIPTION | DATE | APPD |
|------|----------------------|------|------|
| | | | |

NORES:

1. Rated voltage: 600V AC.DC
2. Rated current: 15A AC DC(Max)
3. Contact resistance: $\leq 10 \text{ m}\Omega$
4. Insulation resistance: $\geq 1000 \text{ min M}\Omega$
5. Withstand voltage: 2200V AC/minute
6. Ambient temprature: $-40^{\circ}\text{C} \sim +105^{\circ}\text{C}$
7. Materials: PBT UL94V-0
8. Matched RoHS criteria



ORDERING INFORMATION

DL50804-XX R - X XX-XX
 1 2 3 4 5 6

1. PART NO.
2. NO. OF CIRCUIT
3. CONN. TYPE
4. MATERIAL: 0: PA66 V0 1: PA66 V1 2: PA66 V2 3: PA66 V0 750 °C
 4: LCP 5: PBT 6:PA9T 7:9A6T 8:GF PA66
5. COLOR: NA:NATURE RE:RED BR:BROWN
 GY:GREY BK:BLACK YE:YELLOW
 BL:BLUE GR:GREEN PU:PURPLE PI:PINK
 OR:ORANGE TR:TRANSPARENT OT:OTHER
6. SERIAL NUMBER:00.01.02

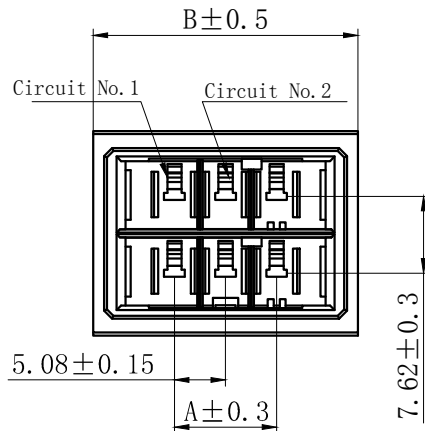
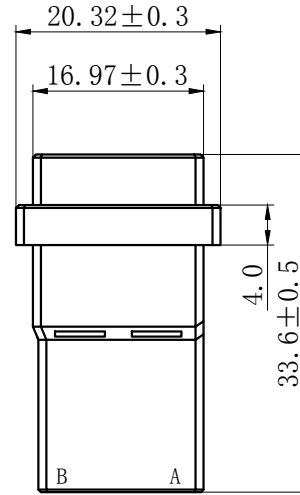
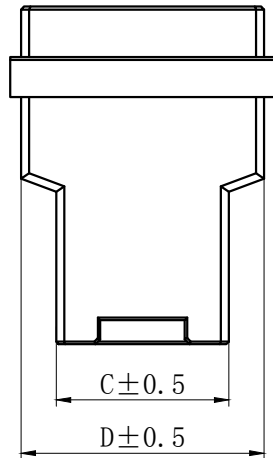
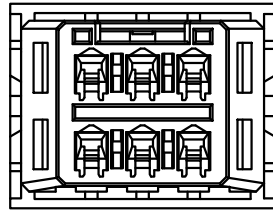
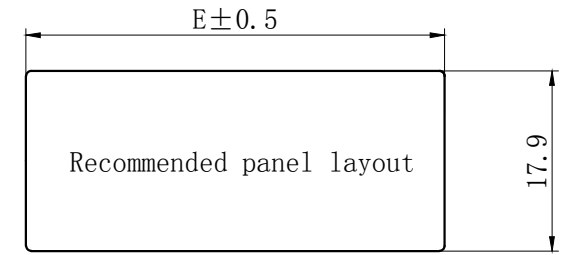
| Circuits | Type | Dimension mm | | | | | |
|----------|------------|--------------|-------|-------|-------|-------|-------|
| | | A | B | C | D | E | F |
| 2X2 | DL5.08-4R | 5.08 | 28.00 | 12.08 | 36.83 | 19.18 | 20.00 |
| 2X3 | DL5.08-6R | 10.16 | 33.00 | 17.16 | 41.91 | 24.26 | 25.00 |
| 2X4 | DL5.08-8R | 15.24 | 38.00 | 22.24 | 46.99 | 29.34 | 30.00 |
| 2X5 | DL5.08-10R | 20.32 | 43.00 | 27.32 | 52.07 | 34.42 | 35.00 |
| 2X6 | DL5.08-12R | 25.40 | 49.00 | 32.40 | 57.15 | 39.50 | 41.00 |
| 2X7 | DL5.08-14R | 30.48 | 53.00 | 37.48 | 62.23 | 44.58 | 46.00 |
| 2X8 | DL5.08-16R | 35.56 | 58.00 | 42.56 | 67.31 | 49.66 | 51.00 |
| 2X9 | DL5.08-18R | 40.64 | 63.00 | 47.64 | 72.39 | 54.74 | 56.00 |
| 2X10 | DL5.08-20R | 45.72 | 70.00 | 52.72 | 77.47 | 59.82 | 61.00 |
| 2X11 | DL5.08-22R | 50.80 | 73.00 | 57.80 | 82.55 | 64.90 | 66.00 |
| 2X12 | DL5.08-24R | 55.88 | 78.00 | 62.88 | 87.63 | 69.98 | 71.00 |

| GENERAL TOLERANCES (UNLESS SPECIFIED) | | ZHEJIANG DELI CONNECTORS CO.,LTD | |
|---------------------------------------|----------------|---|-----------------------------|
| .X: ± 0.25 | X°: ± 3.0° | PRODUCT NAME: DL50804-R(DL5.08-R) | |
| .XX: ± 0.15 | .X°: ± 2.0° | TITLE: 5.08 mm Pitch Wire To Wire Housing | |
| .XXX: ± 0.01 | .XX°: ± 1.0° | DR: Yuan Jun Rong | DATE: :22.5.13 |
| FINISH: _____ | | CHKD:Wu Hui | DATE: :22.5.13 |
| DRAWING NO: GC-DL50804-XXR-XXX-XX | APPD:Ren An De | DATE: :22.5.13 | PART NO: DL50804-XXR-XXX-XX |
| | | SCALE: N/A | PAGE: 1/1 |
| | | UNITS: mm | REV.: A |

| REV. | REVISION DESCRIPTION | DATE | APPD |
|------|----------------------|------|------|
| | | | |

NORES:

1. Rated voltage: 600V AC.DC
2. Rated current: 15A AC DC(Max)
3. Contact resistance: $\leq 10 \text{ m}\Omega$
4. Insulation resistance: $\geq 1000 \text{ min M}\Omega$
5. Withstand voltage: 2200V AC/minute
6. Ambient temprature: $-40^{\circ}\text{C} \sim +105^{\circ}\text{C}$
7. Materials: PBT UL94V-0
8. Matched RoHS criteria



ORDERING INFORMATION

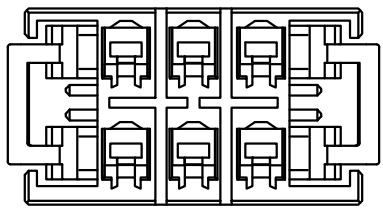
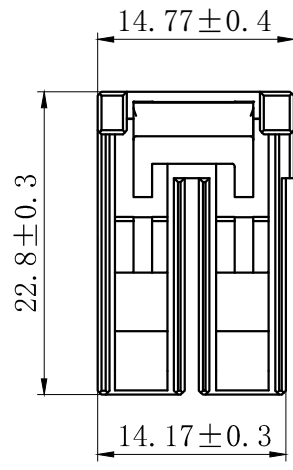
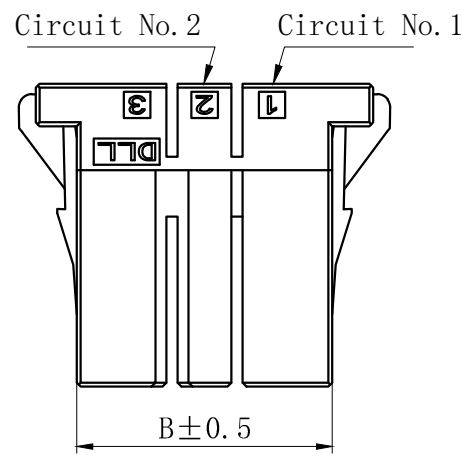
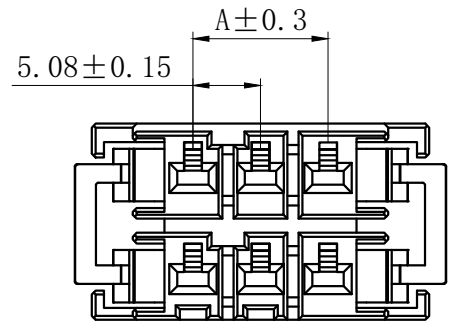
DL50804-XX RF- X XX-XX
 1 2 3 4 5 6

1. PART NO.
2. NO. OF CIRCUIT
3. CONN. TYPE
4. MATERIAL: 0: PA66 V0 1: PA66 V1 2: PA66 V2 3: PA66 V0 750 °C
 4: LCP 5: PBT 6: PA9T 7: 9A6T 8: GF PA66
5. COLOR: NA: NATURE RE: RED BR: BROWN
 GY: GREY BK: BLACK YE: YELLOW
 BL: BLUE GR: GREEN PU: PURPLE PI: PINK
 OR: ORANGE TR: TRANSPARENT OT: OTHER
6. SERIAL NUMBER: 00.01.02

| Circuits | Type | Dimension mm | | | | |
|----------|-------------|--------------|-------|-------|-------|-------|
| | | A | B | C | D | E |
| 2X2 | DL5.08-4RF | 5.08 | 21.84 | 12.08 | 19.18 | 20.00 |
| 2X3 | DL5.08-6RF | 10.16 | 26.92 | 17.16 | 24.26 | 25.00 |
| 2X4 | DL5.08-8RF | 15.24 | 32.00 | 22.24 | 29.34 | 30.00 |
| 2X5 | DL5.08-10RF | 20.32 | 37.08 | 27.32 | 34.42 | 35.00 |
| 2X6 | DL5.08-12RF | 25.40 | 42.16 | 32.40 | 39.50 | 41.00 |
| 2X7 | DL5.08-14RF | 30.48 | 47.24 | 37.48 | 44.58 | 46.00 |
| 2X8 | DL5.08-16RF | 35.56 | 52.32 | 42.56 | 49.66 | 51.00 |
| 2X9 | DL5.08-18RF | 40.64 | 57.40 | 47.64 | 54.74 | 56.00 |
| 2X10 | DL5.08-20RF | 45.72 | 62.48 | 52.72 | 59.82 | 61.00 |
| 2X11 | DL5.08-22RF | 50.80 | 67.56 | 57.80 | 64.90 | 66.00 |
| 2X12 | DL5.08-24RF | 55.88 | 72.64 | 62.88 | 69.98 | 71.00 |

| GENERAL TOLERANCES (UNLESS SPECIFIED) | | ZHEJIANG DELI CONNECTORS CO., LTD | |
|---------------------------------------|--------------|---|--|
| .X: ± 0.25 | X°: ± 3.0° | PRODUCT NAME: DL50804-RF (DL5.08-RF) | TITLE: 5.08 mm Pitch Wire To Wire Housing |
| .XX: ± 0.15 | .X°: ± 2.0° | DR: Yuan Jun Rong | DATE: .22.5.13 |
| .XXX: ± 0.01 | .XX°: ± 1.0° | CHKD: Wu Hui | DATE: .22.5.13 |
| FINISH: | | APPD: Ren An De | DATE: .22.5.13 |
| DRAWING NO: GC-DL50804-XXRF-XXX-XX | | SCALE: N/A | PAGE: 1/1 |
| | | UNITS: mm | REV.: A |

| | | | |
|------|----------------------|------|------|
| REV. | REVISION DESCRIPTION | DATE | APPD |
| | | | |



| Circuits | Type | Dimension mm | |
|----------|------------|--------------|-------|
| | | A | B |
| 2X2 | DL5.08-4Y | 5.08 | 14.16 |
| 2X3 | DL5.08-6Y | 10.16 | 19.24 |
| 2X4 | DL5.08-8Y | 15.24 | 24.32 |
| 2X5 | DL5.08-10Y | 20.32 | 29.40 |
| 2X6 | DL5.08-12Y | 25.40 | 34.48 |
| 2X7 | DL5.08-14Y | 30.48 | 39.56 |
| 2X8 | DL5.08-16Y | 35.56 | 44.64 |
| 2X9 | DL5.08-18Y | 40.64 | 49.72 |
| 2X10 | DL5.08-20Y | 45.72 | 54.80 |
| 2X11 | DL5.08-22Y | 50.80 | 59.88 |
| 2X12 | DL5.08-24Y | 55.88 | 64.96 |

NORES:

- Rated voltage: 600V AC.DC
- Rated current: 15A AC DC(Max)
- Contact resistance: ≤10 mΩ
- Insulation resistance: ≥1000 min MΩ
- Withstand voltage: 2200V AC/minute
- Ambient temprature: -40°C~+105°C
- Materials:PBT UL94V-0
- Matched RoHS criteria

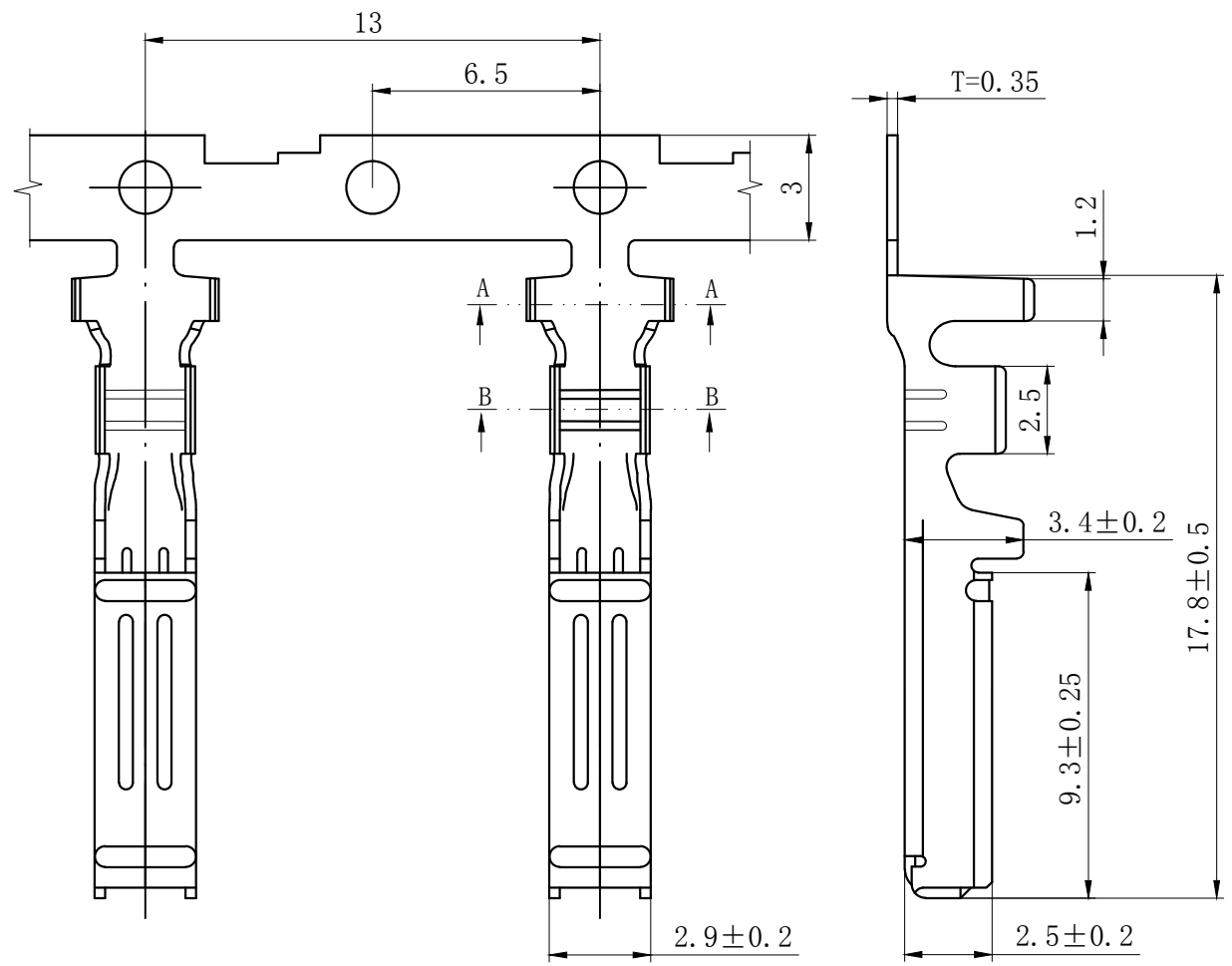
ORDERING INFORMATION

DL50804 - XX Y - X XX -XX
 1 2 3 4 5 6

- PART NO.
- ..NO. OF CIRCUIT
- CONN. TYPE
- MATERIAL: 0: PA66 V0 1: PA66 V1 2: PA66 V2 3: PA66 V0 750 °C
4: LCP 5: PBT 6:PA9T 7:9A6T 8:GF PA66
- COLOR: NA:NATURE RE:RED BR:BROWN
GY:GREY BK:BLACK YE:YELLOW
BL:BLUE GR:GREEN PU:PURPLE PI:PINK
OR:ORANGE TR:TRANSPARENT OT:OTHER
- SERIAL NUMBER :00.01.02...

| | | | |
|---------------------------------------|----------------|--------------------------------------|-----------------------------------|
| GENERAL TOLERANCES (UNLESS SPECIFIED) | | ZHEJIANG DELI CONNECTORS CO.,LTD | |
| .X: ± 0.25 | X°: ± 3.0° | PRODUCT NAME: DL50804-Y(DL5.08-Y) | TITLE: 5.08 mm Pitch Connector |
| .XX: ± 0.15 | .X°: ± 2.0° | DR: Chen QuanLong | DATE.: 22.5.13 |
| .XXX: ± 0.01 | .XX°: ± 1.0° | DATE.: 22.5.13 | PART NO: DL50804-XXY-XXX-XX |
| FINISH: | CHKD:Wu Hui | DATE.: 22.5.13 | SCALE: N/A |
| DRAWING NO: GC-DL50804-XXY-XXX-XX | APPD:Ren An De | DATE.: 22.5.13 | PAGE: 1/1 |
| | | UNITS: mm | REV.: A |

| REV. | REVISION DESCRIPTION | DATE | APPD |
|------|----------------------|------|------|
| | | | |



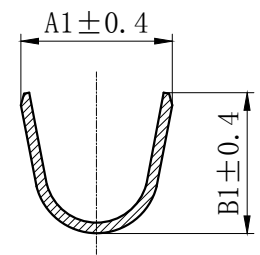
NORES:

1. Rated voltage: 250V AC.DC
2. Rated current: 15A AC DC (Max)
3. Contact resistance: $\leq 10 \text{ m}\Omega$
4. Insulation resistance: $\geq 1000 \text{ m}\Omega$
5. Withstand voltage: 1500V AC/minute
6. Ambient temperature: $-40^\circ\text{C} \sim 105^\circ\text{C}$
7. Materials: Phosphor bronze
8. Matched RoHS criteria
9. Finish: Gold plated over Ni

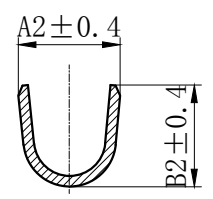
ORDERING INFORMATION

DL38101 - T - X - X - X - XX
 1 2 3 4 5 6

1. PART NO.
2. TERMINAL CODE
3. MATERIAL TYPE: 1: PHOSPHOR BRONZE 2: BRASS 3: IRON
4: STAINLESS STEEL 5: OTHER
4. TECHNICS: 0: UNPLATED 1: FIRST PLATING 2: POST PLATING
3: OTHER
5. FINISH: 1: TIN-PLATED 2: MATTE PLATED 3: NICKEL PLATED
4: PICKLING 5: SILVER PLATED 6: GOLD PLATED
7: GALVANIZED 8: OTHER
6. SERIAL NUMBER: 00.01.02.....



SECTION A-A

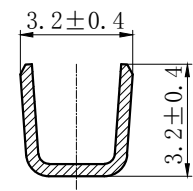
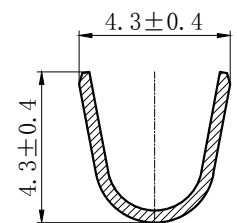
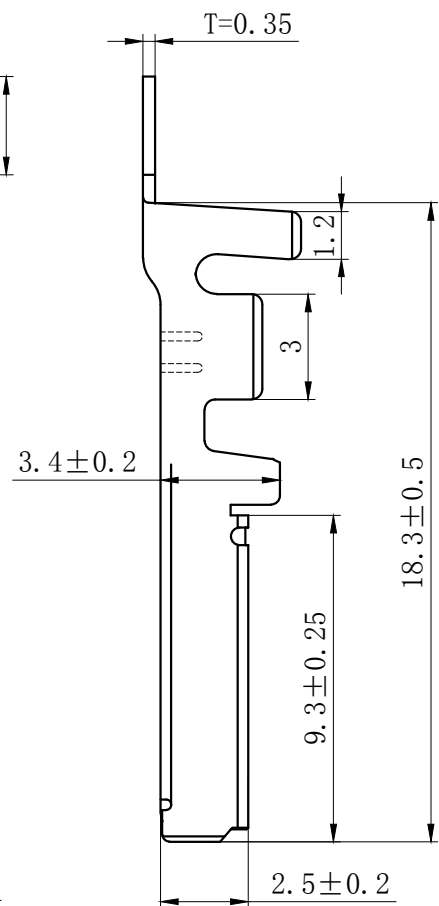
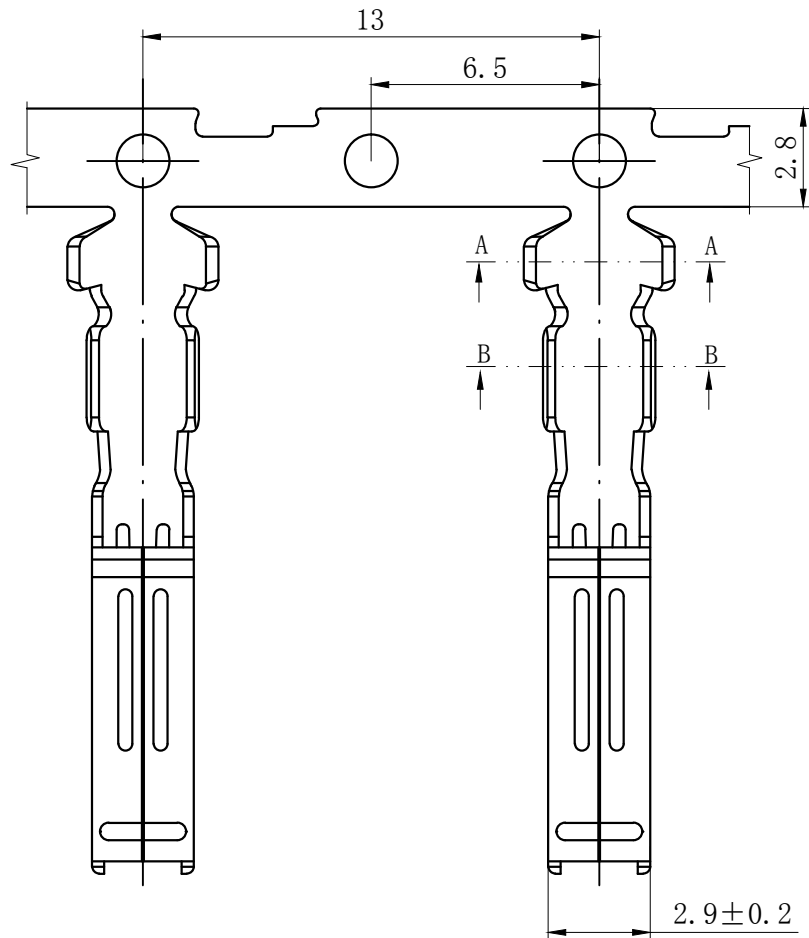


SECTION B-B

| TYPE | Dimension mm | | | | 适用线规 AWG# |
|------------|--------------|-----|-----|-----|--------------|
| | A1 | B1 | A2 | B2 | |
| DL3810-T-D | 3.8 | 3.8 | 2.3 | 2.3 | 24-20 |
| DL3810-T | 4.3 | 4.0 | 2.9 | 2.9 | 20-16 |

| | | | | | |
|--|-----------------------|---------------------------------------|--|--|--|
| GENERAL TOLERANCES (UNLESS SPECIFIED) | | ZHE JIANG DELI CONNECTORS CO., LTD | | | |
| .X: ± 0.25 | X°: $\pm 3.0^\circ$ | PRODUCT NAME: DL38101-T (DL3810-T) | | TITLE: 3.81mm Pitch Crimp Terminal | |
| .XX: ± 0.15 | .X°: $\pm 2.0^\circ$ | DR: Chen Quan Long | | DATE: .21.12.25 | |
| .XXX: ± 0.01 | .XX°: $\pm 1.0^\circ$ | CHKD: Wu Hui | | DATE: .21.12.25 | |
| FINISH: _____ | | APPD: Ren An De | | DATE: .21.12.25 | |
| DRAWING NO: GC-DL38101-T-X-X-XX | | UNITS: mm | | PAGE: 1/2 | |
| | | PART NO: DL38101-T-X-X-X-XX | | REV.: A | |

| REV. | REVISION DESCRIPTION | DATE | APPD |
|------|----------------------|------|------|
| | | | |



NORES:

1. Rated voltage: 250V AC.DC
2. Rated current: 15A AC DC (MAX)
3. Contact resistance: $\leq 10 \text{ m}\Omega$
4. Insulation resistance: $\geq 1000 \text{ m}\Omega$
5. Withstand voltage: 1500V AC/minute
6. Ambient temperature: $-40^{\circ}\text{C} \sim 105^{\circ}\text{C}$
7. Materials: Phosphor bronze
8. Matched RoHS criteria
9. Finish: Gold plated over Ni
10. Applicable Wire Sizes: AWG#16-14

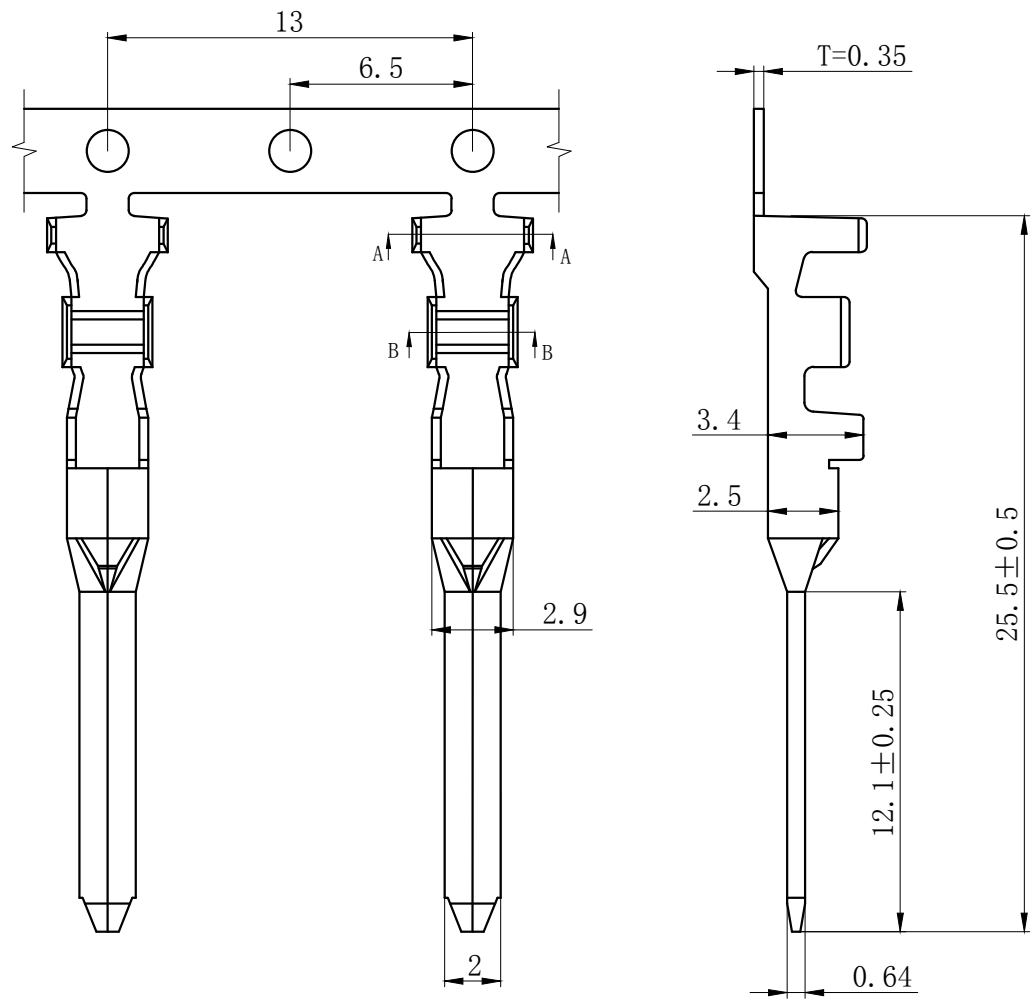
ORDERING INFORMATION

DL38101 - T - X - X - X - XX
 1 2 3 4 5 6

1. PART NO.
2. TERMINAL CODE
3. MATERIAL TYPE: 1: PHOSPHOR BRONZE 2: BRASS 3: IRON
4: STAINLESS STEEL 5: OTHER
4. TECHNICS: 0: UNPLATED 1: FIRST PLATING 2: POST PLATING
3: OTHER
5. FINISH: 1: TIN-PLATED 2: MATTE PLATED 3: NICKEL PLATED
4: PICKLING 5: SILVER PLATED 6: GOLD PLATED
7: GALVANIZED 8: OTHER
6. SERIAL NUMBER: 00.01.02.....

| GENERAL TOLERANCES (UNLESS SPECIFIED) | | ZHE JIANG DELI CONNECTORS CO., LTD | |
|---------------------------------------|--------------|---|---------------------------------------|
| .X: ± 0.25 | X°: ± 3.0° | PRODUCT NAME: DL38101-T-G (DL3810-T-G) | TITLE: 3.81mm Pitch Crimp Terminal |
| .XX: ± 0.15 | .X°: ± 2.0° | DR: Chen Quan Long | DATE: .21.12.25 |
| .XXX: ± 0.01 | .XX°: ± 1.0° | CHKD: Wu Hui | DATE: .21.12.25 |
| DRAWING NO: GC-DL38101-T-X-X-X-XX | | APPD: Ren An De | DATE: .21.12.25 |
| FINISH: | | SCALE: N/A | PAGE: 2/2 |
| PART NO: DL38101-T-X-X-X-XX | | UNITS: mm | REV.: A |

| REV. | REVISION DESCRIPTION | DATE | APPD |
|------|----------------------|------|------|
| | | | |

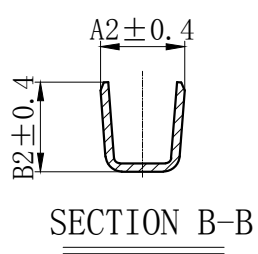
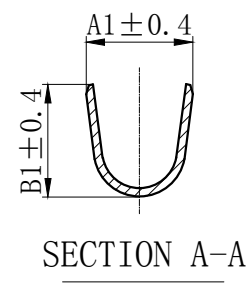


- NORES:**
1. Rated voltage: 250V AC.DC
 2. Rated current: 15A AC DC (Max)
 3. Contact resistance: $\leq 10 \text{ m}\Omega$
 4. Insulation resistance: $\geq 1000 \text{ m}\Omega$
 5. Withstand voltage: 1500V AC/minute
 6. Ambient temprature: $-40^{\circ}\text{C} \sim 105^{\circ}\text{C}$
 7. Materials: Phosphor bronze
 8. Matched RoHS criteria
 9. Finish: Gold plated over Ni

ORDERING INFORMATION
DLXXXX - XX - X - X - X - XX
1 2 3 4 5 6

1. PART NO.
2. TERMINAL CODE
3. MATERIAL TYPE: 1: PHOSPJOR BRONZE 2: BRASS 3: IRON
4: STAINLESS STEEL 5: OTHER
4. TECHNICS: 0: UNPLATED 1: FIRST PLATING 2: POST PLATING
3: OTHER
5. FINISH: 1: TIN-PLATED 2: MATTE PLATED 3: NICKEL PLATED
4: PICKLING 5: SILVER PLATED 6: GOLD PLATED
7: GALVANIZED 8: OTHER
6. SERIAL NUMBER: 00.01.02.....

| TYPE | Dimension mm | | | | 适用线规 |
|-------------|--------------|-----|-----|-----|-------|
| | A1 | B1 | A2 | B2 | AWG# |
| DL3810-RT-D | 3.7 | 3.8 | 2.3 | 2.3 | 24-20 |
| DL3810-RT | 3.8 | 4.0 | 3.0 | 3.2 | 20-16 |
| DL3810-RT-G | 4.3 | 4.3 | 3.2 | 3.2 | 16-14 |



| GENERAL TOLERANCES (UNLESS SPECIFIED) | | ZHE JIANG DELI CONNECTORS CO., LTD | |
|---------------------------------------|------------------------|------------------------------------|---|
| .X: ± 0.25 | X°: ± 3.0° | PRODUCT NAME: | TITLE: |
| .XX: ± 0.15 | .X°: ± 2.0° | DL38101 (DL3810)-RT | 3.81mm Pitch Wire To Wire Crimp Terminal |
| .XXX: ± 0.01 | .XX°: ± 1.0° | DR: Chen Quan Long | DATE: .21.12.25 |
| FINISH: | | CHKD: Wu Hui | DATE: .21.12.25 |
| DRAWING NO: | GC-DL38101-RT-X-X-X-XX | APPD: Ren An De | DATE: .21.12.25 |
| | | PART NO: | DL38101-RT-X-X-X-XX |
| | | SCALE: | N/A |
| | | PAGE: | 1/1 |
| | | UNITS: | mm |
| | | REV.: | A |

X-ON Electronics

Largest Supplier of Electrical and Electronic Components

Click to view similar products for [Headers & Wire Housings](#) category:

Click to view products by [DLL](#) manufacturer:

Other Similar products are found below :

[0015917161](#) [0022155065](#) [57102-F02-18ULF](#) [58102-G61-06LF](#) [582553-1](#) [01.001.5753.1](#) [0050291907](#) [02.125.8002.8](#) [609-3404](#) [61062-3](#)
[CSU011177004](#) [622-0430](#) [622-3653LF](#) [63453-116](#) [636-1030](#) [636-1427](#) [636-3427](#) [636-4007](#) [641938-9](#) [65495-038](#) [65692-001LF](#) [65781-018](#)
[65781-047](#) [65817-010LF](#) [65817-015LF](#) [67095-007LF](#) [67601157](#) [68631-112](#) [68645-018](#) [699319-000](#) [70.362.1628.0](#) [70-4210](#) [70-4226B](#) [70-](#)
[4853B](#) [71.350.2428.0](#) [733-134](#) [733-162](#) [760-3052](#) [MHR-64-VUAL](#) [80.063.4001.1](#) [800-90-001-10-001000](#) [801-43-002-10-013000](#)
[801-43-006-10-002000](#) [803-43-024-10-001000](#) [803-93-012-10-001000](#) [8-1437020-4](#) [819-22-004-30-001101](#) [820-22-006-30-001101](#)
[820-22-008-30-001101](#) [821-22-002-10-001101](#)