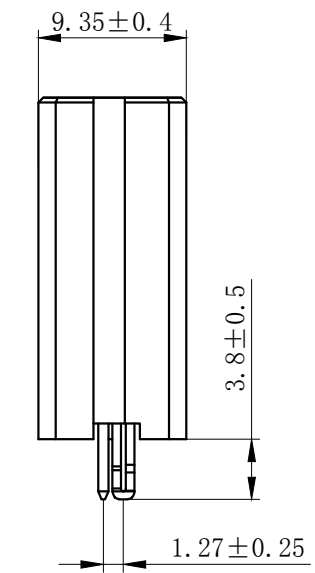
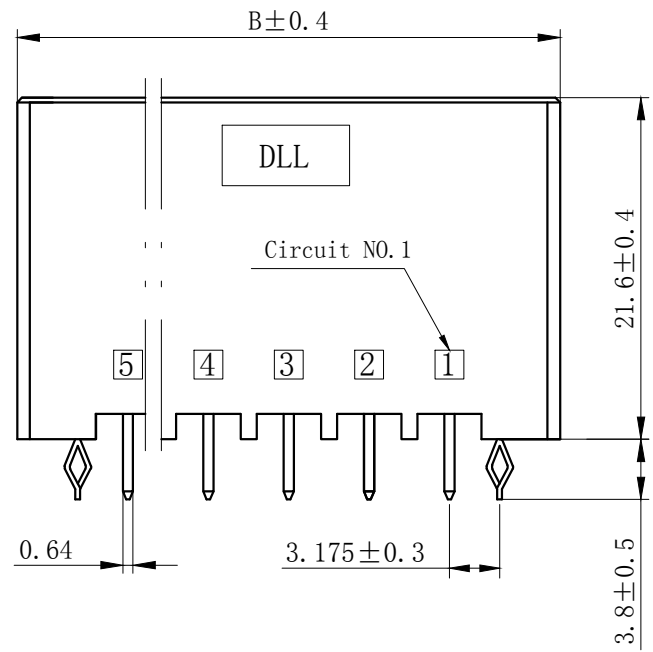


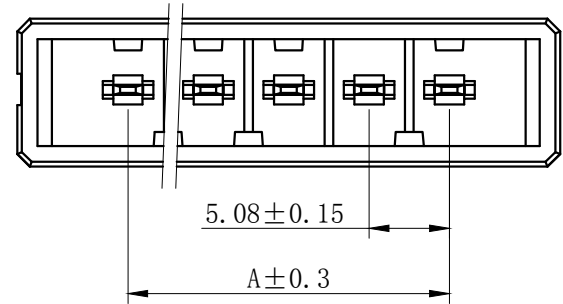
**技术特性/Specifications:**

额定电压 Rated voltage: 600V AC, DC  
额定电流 Rated current: 15A AC, DC max  
接触电阻 Contact resistance: 10m $\Omega$  max  
绝缘电阻 Insulation resistance: 1000M $\Omega$  min  
耐压 Withstand voltage: 220V AC/minute  
环境温度 Ambient temperature: -40 $^{\circ}$ C~+105 $^{\circ}$ C  
适用线规 Wire range: AWG#32~#28

| REV. | REVISION DESCRIPTION | DATE | APPD |
|------|----------------------|------|------|
|      |                      |      |      |



- NORES:
- Rated voltage: 600V AC/DC
  - Rated current: 15A AC DC(Max)
  - Contact resistance:  $\leq 10 \text{ m}\Omega$
  - Insulation resistance:  $\geq 1000 \text{ m}\Omega$
  - Withstand voltage: 2200V AC/minute
  - Ambient temperature:  $-40^{\circ}\text{C} \sim +105^{\circ}\text{C}$
  - Materials: PBT UL94V-0
  - Matched RoHS criteria
  - PIN materials: phosphor bronze
  - Finish: Gold plated over Ni

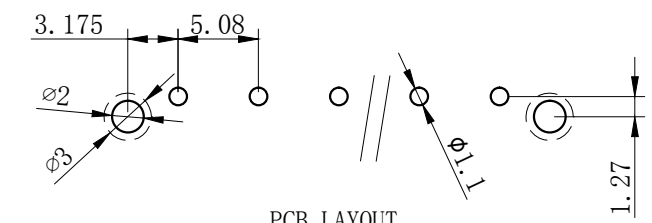


ORDERING INFORMATION

DL50803 - XX AM - X XX - X X - X - XX  
 1 2 3 4 5 6 7 8 9

- PART NO.
- NO. OF CIRCUIT
- CONN. TYPE
- MATERIAL: 0:PA66 V0 1:PA66 V1 2:PA66 V2 3:PA66 V0 750 °C  
4:LCP 5:PBT 6:PA9T 7:9A6T 8:GF PA66
- COLOR: NA:NATURE RE:RED BR:BROWN  
GY:GREY BK:BLACK YE:YELLOW  
BL:BLUE GR:GREEN PU:PURPLE PI:PINK  
OR:ORANGE TR:TRANSPARENT OT:OTHER
- CONTACT MATERIAL: P:PHOSPHOR BRONZE B:BRASS
- FINISH: T:TIN MT:MATT TIN BG/QG:GOLD S:SILVER
- STYLE: Z:WITHOUT K K:WITH K
- SERIAL NUMBER: 00.01.02.....

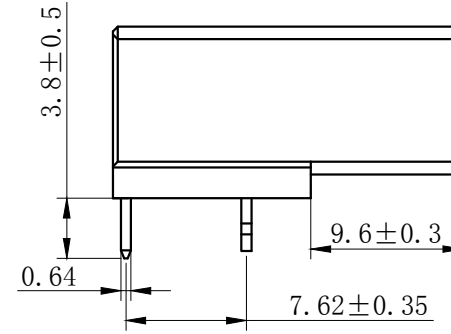
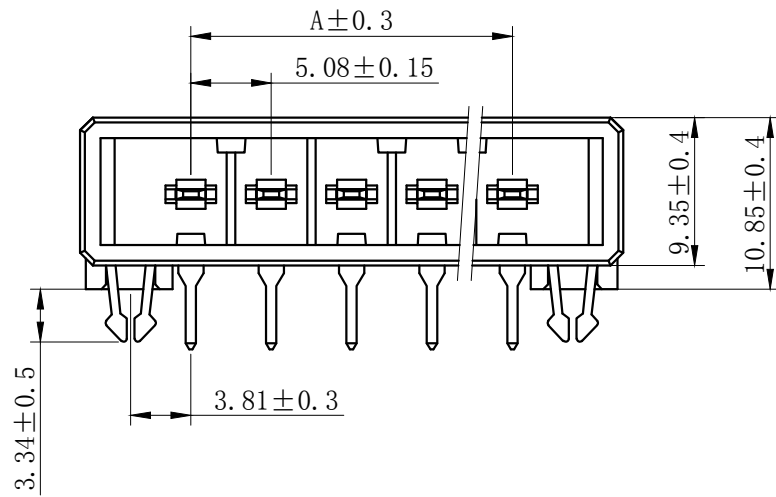
| Circuits | Type        | Dimension mm |       |
|----------|-------------|--------------|-------|
|          |             | A            | B     |
| 2        | DL5.08-2AM  | 5.08         | 19.08 |
| 3        | DL5.08-3AM  | 10.16        | 24.16 |
| 4        | DL5.08-4AM  | 15.24        | 29.24 |
| 5        | DL5.08-5AM  | 20.32        | 34.32 |
| 6        | DL5.08-6AM  | 25.40        | 39.40 |
| 7        | DL5.08-7AM  | 30.48        | 44.48 |
| 8        | DL5.08-8AM  | 35.56        | 49.56 |
| 9        | DL5.08-9AM  | 40.64        | 54.64 |
| 10       | DL5.08-10AM | 45.72        | 59.72 |
| 11       | DL5.08-11AM | 50.80        | 64.80 |
| 12       | DL5.08-12AM | 55.88        | 69.88 |



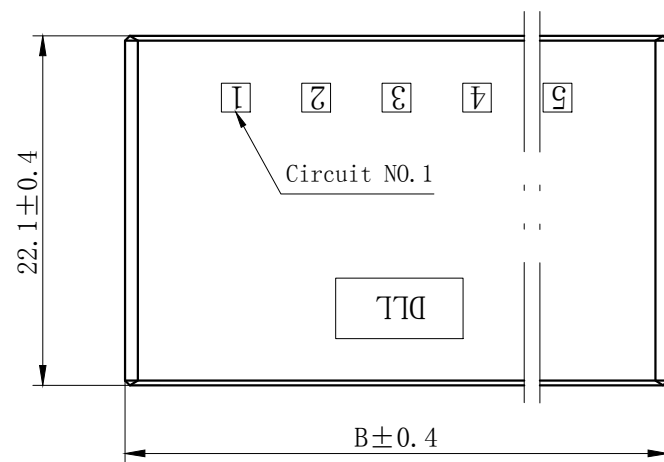
PCB LAYOUT

| GENERAL TOLERANCES<br>(UNLESS SPECIFIED) |              | ZHE JIANG DELI CONNECTORS CO., LTD          |                |
|--|--------------|---|----------------|
| .X: ± 0.25                               | X°: ± 3.0°   | PRODUCT NAME:<br>DL50803-AM (DL5.08-AM)     |                |
| .XX: ± 0.15                              | .X°: ± 2.0°  | TITLE: 5.08 mm pitch WTB<br>Connector Wafer |                |
| .XXX: ± 0.01                             | .XX°: ± 1.0° | DR: Yuan Jun Rong                           | DATE: 22.05.12 |
| FINISH:                                  |              | CHKD: Wu Hui                                | DATE: 22.05.12 |
| DRAWING NO: GC-DL50803-XXAM-XXX-XX-X-XX  |              | APPD: Ren Nan De                            | DATE: 22.05.12 |
|  |              | PART NO:<br>DL50803-XXAM-XXX-XX-X-XX        |                |
|  |              | SCALE: N/A                                  | PAGE: 1/1      |
|  |              | UNITS: mm                                   | REV.: A        |

|      |                      |      |      |
|------|----------------------|------|------|
| REV. | REVISION DESCRIPTION | DATE | APPD |
|      |                      |      |      |



- NORES:**
1. Rated voltage: 600V AC.DC
  2. Rated current: 15A AC DC (Max)
  3. Contact resistance:  $\leq 10 \text{ m}\Omega$
  4. Insulation resistance:  $\geq 1000 \text{ m}\Omega$
  5. Withstand voltage: 2200V AC/minute
  6. Ambient temprature:  $-40^{\circ}\text{C} \sim +105^{\circ}\text{C}$
  7. Materials: PBT UL94V-0
  8. Matched RoHS criteria
  9. PIN materials: phosphor bronze
  10. Finish: Gold plated over Ni

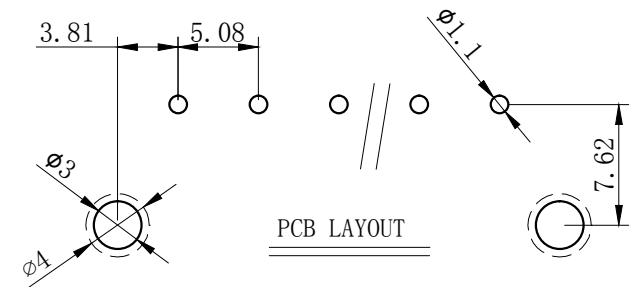


**ORDERING INFORMATION**

DL50803 - XX WSM - X XX - X X - X - XX  
 1 2 3 4 5 6 7 8 9

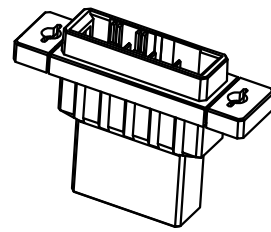
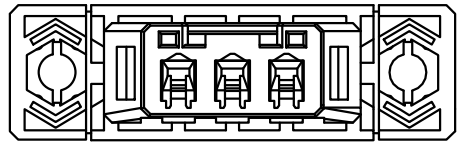
1. PART NO.
2. NO. OF CIRCUIT
3. CONN. TYPE
4. MATERIAL: 0:PA66 V0 1:PA66 V1 2:PA66 V2 3:PA66 V0 750 °C  
 4:LCP 5:PBT 6:PA9T 7:9A6T 8:GF PA66
5. COLOR: NA:NATURE RE:RED BR:BROWN  
 GY:GREY BK:BLACK YE:YELLOW  
 BL:BLUE GR:GREEN PU:PURPLE PI:PINK  
 OR:ORANGE TR:TRANSPARENT OT:OTHER
6. CONTACT MATERIAL: P:PHOSPHOR BRONZE B:BRASS
7. FINISH: T:TIN MT:MATT TIN BG/QG:GOLD S:SILVER
8. STYLE: Z:WITHOUT K K:WITH K
9. SERIAL NUMBER: 00.01.02....

| Circuits | Type          | Dimension mm |       |
|----------|---------------|--------------|-------|
|          |               | A            | B     |
| 2        | DL5.08-2AWSM  | 5.08         | 19.08 |
| 3        | DL5.08-3AWSM  | 10.16        | 24.16 |
| 4        | DL5.08-4AWSM  | 15.24        | 29.24 |
| 5        | DL5.08-5AWSM  | 20.32        | 34.32 |
| 6        | DL5.08-6AWSM  | 25.40        | 39.40 |
| 7        | DL5.08-7AWSM  | 30.48        | 44.48 |
| 8        | DL5.08-8AWSM  | 35.56        | 49.56 |
| 9        | DL5.08-9AWSM  | 40.64        | 54.64 |
| 10       | DL5.08-10AWSM | 45.72        | 59.72 |
| 11       | DL5.08-11AWSM | 50.80        | 64.80 |
| 12       | DL5.08-12AWSM | 55.88        | 69.88 |

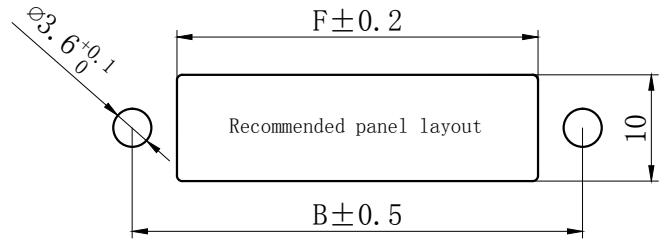
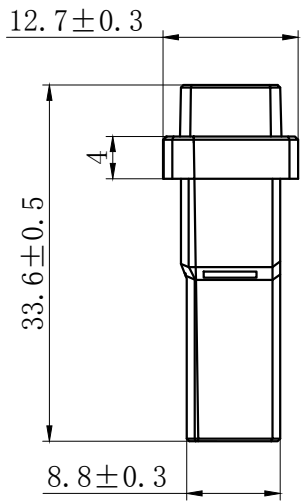
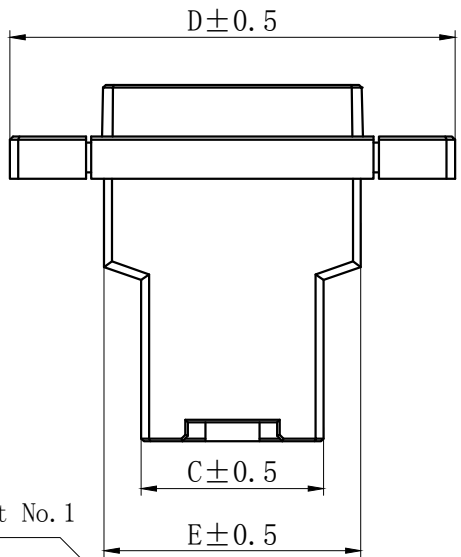


|  |              |                                    |  |
|--|--------------|------------------------------------|--|
| GENERAL TOLERANCES<br>(UNLESS SPECIFIED) |              | ZHE JIANG DELI CONNECTORS CO., LTD |  |
| .X: ± 0.25                               | X°: ± 3.0°   | PRODUCT NAME:                      | TITLE: 5.08 mm pitch WTB Connector Wafer |
| .XX: ± 0.15                              | .X°: ± 2.0°  | DL50803-AWSM(DL5.08-AWSM)          | PART NO: DL50803-XXWSM-XXX-XX-X-XX       |
| .XXX: ± 0.01                             | .XX°: ± 1.0° | DR: Yuan Jun Rong                  | DATE: 22.05.12                           |
| FINISH:                                  |              | CHKD: Wu Hui                       | DATE: 22.05.12                           |
| DRAWING NO: GC-DL50803-XXWSM-XXX-XX-X-XX |              | APPD: Ren Nan De                   | DATE: 22.05.12                           |
|  |              | SCALE: N/A                         | PAGE: 1/1                                |
|  |              | UNITS: mm                          | REV.: A                                  |

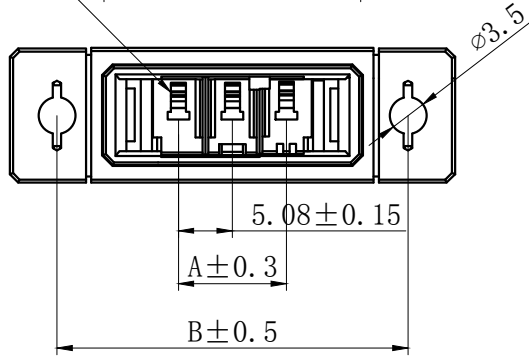
| REV. | REVISION DESCRIPTION | DATE | APPD |
|------|----------------------|------|------|
|      |                      |      |      |



- NORES:**
1. Rated voltage: 600V AC/DC
  2. Rated current: 15A AC/DC (Max)
  3. Contact resistance:  $\leq 10 \text{ m}\Omega$
  4. Insulation resistance:  $\geq 1000 \text{ min M}\Omega$
  5. Withstand voltage: 2200V AC/minute
  6. Ambient temperature:  $-40^\circ\text{C} \sim +105^\circ\text{C}$
  7. Materials: PBT UL94V-0
  8. Matched RoHS criteria



Circuit No. 1



**ORDERING INFORMATION**

DL50803 - XX RM - X XX - XX  
 1 2 3 4 5 6

1. PART NO.
2. . NO. OF CIRCUIT
3. CONN. TYPE
4. MATERIAL: 0: PA66 V0 1: PA66 V1 2: PA66 V2 3: PA66 V0 750°C  
 4: LCP 5: PBT 6:PA9T 7:9A6T 8:PA66 GF
5. COLOR: NA:NATURE RE:RED BR:BROWN  
 GY:GREY BK:BLACK YE:YELLOW  
 BL:BLUE GR:GREEN PU:PURPLE PI:PINK  
 OR:ORANGE TR:TRANSPARENT OT:OTHER
6. SERIAL NUMBER: 00.01.02.....

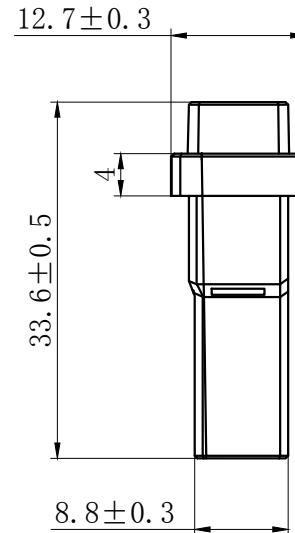
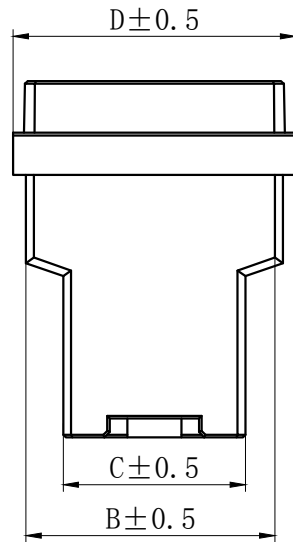
| Circuits | Type        | Dimension mm |       |       |       |       |       |
|----------|-------------|--------------|-------|-------|-------|-------|-------|
|          |             | A            | B     | C     | D     | E     | F     |
| 2        | DL5.08-2RM  | 5.08         | 28.00 | 12.08 | 36.83 | 19.18 | 20.00 |
| 3        | DL5.08-3RM  | 10.16        | 33.00 | 17.16 | 41.91 | 24.26 | 25.00 |
| 4        | DL5.08-4RM  | 15.24        | 38.00 | 22.24 | 46.99 | 29.34 | 30.00 |
| 5        | DL5.08-5RM  | 20.32        | 43.00 | 27.32 | 52.07 | 34.42 | 35.00 |
| 6        | DL5.08-6RM  | 25.40        | 49.00 | 32.40 | 57.15 | 39.50 | 41.00 |
| 7        | DL5.08-7RM  | 30.48        | 53.00 | 37.48 | 62.23 | 44.58 | 46.00 |
| 8        | DL5.08-8RM  | 35.56        | 58.00 | 42.56 | 67.31 | 49.66 | 51.00 |
| 9        | DL5.08-9RM  | 40.64        | 63.00 | 47.64 | 72.39 | 54.74 | 56.00 |
| 10       | DL5.08-10RM | 45.72        | 70.00 | 52.72 | 77.47 | 59.82 | 61.00 |
| 11       | DL5.08-11RM | 50.80        | 73.00 | 57.80 | 82.55 | 64.90 | 66.00 |
| 12       | DL5.08-12RM | 55.88        | 78.00 | 62.88 | 87.63 | 69.98 | 71.00 |

| GENERAL TOLERANCES (UNLESS SPECIFIED) |               | ZHEJIANG DELI CONNECTORS CO., LTD         |                 |
|---------------------------------------|---------------|---|-----------------|
| .X: ± 0.25                            | .X° : ± 3.0°  | PRODUCT NAME: DL50803-RM(DL5.08-RM)       |                 |
| .XX: ± 0.15                           | .X° : ± 2.0°  | TITLE: 5.08 mm Pitch Wire To Wire Housing |                 |
| .XXX: ± 0.01                          | .XX° : ± 1.0° | DR: Yuan Jun Rong                         | DATE: .21.12.12 |
| FINISH:                               |               | PART NO: DL50803-XXRM-XXX-XX              |                 |
|                                       |               | CHKD:Wu Hui                               | DATE: .21.12.12 |
| DRAWING NO: GC-DL50803-XXRM-XXX-XX    |               | APPD:Ren An De                            | DATE: .21.12.12 |
|                                       |               | SCALE: N/A                                | PAGE: 1/1       |
|                                       |               | UNITS: mm                                 | REV.: A         |

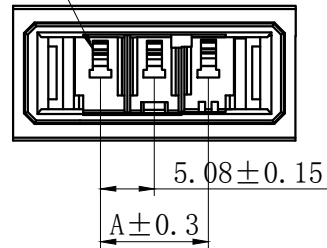
| REV. | REVISION DESCRIPTION | DATE | APPD |
|------|----------------------|------|------|
|      |                      |      |      |

**NORES:**

1. Rated voltage: 600V AC.DC
2. Rated current: 15A AC DC(Max)
3. Contact resistance:  $\leq 10 \text{ m}\Omega$
4. Insulation resistance:  $\geq 1000 \text{ min M}\Omega$
5. Withstand voltage: 2200V AC/minute
6. Ambient temperature:  $-40^{\circ}\text{C} \sim +105^{\circ}\text{C}$
7. Materials: PBT UL94V-0
8. Matched RoHS criteria



Circuit No.1



**ORDERING INFORMATION**

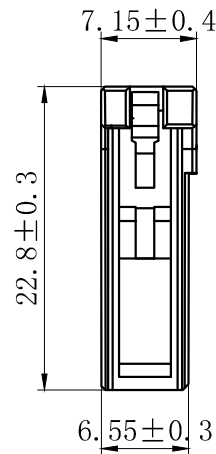
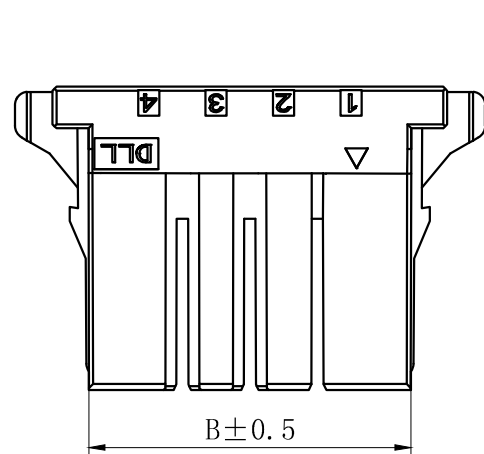
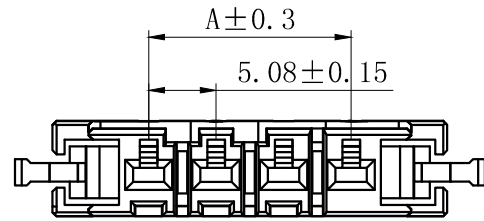
DL50803 - XX RFM - X XX - XX  
 1 2 3 4 5 6

1. PART NO.
2. . NO. OF CIRCUIT
3. CONN. TYPE
4. MATERIAL: 0: PA66 V0 1: PA66 V1 2: PA66 V2 3: PA66 V0 750°C  
 4: LCP 5: PBT 6:PA9T 7:9A6T 8:PA66 GF
5. COLOR: NA:NATURE RE:RED BR:BROWN  
 GY:GREY BK:BLACK YE:YELLOW  
 BL:BLUE GR:GREEN PU:PURPLE PI:PINK  
 OR:ORANGE TR:TRANSPARENT OT:OTHER
6. SERIAL NUMBER: 00.01.02.....

| Circuits | Type         | Dimension mm |       |       |       |
|----------|--------------|--------------|-------|-------|-------|
|          |              | A            | B     | C     | D     |
| 2        | DL5.08-2RFM  | 5.08         | 19.18 | 12.08 | 21.84 |
| 3        | DL5.08-3RFM  | 10.16        | 24.26 | 17.16 | 26.92 |
| 4        | DL5.08-4RFM  | 15.24        | 29.34 | 22.24 | 32.00 |
| 5        | DL5.08-5RFM  | 20.32        | 34.42 | 27.32 | 37.08 |
| 6        | DL5.08-6RFM  | 25.40        | 39.50 | 32.40 | 42.16 |
| 7        | DL5.08-7RFM  | 30.48        | 44.58 | 37.48 | 47.24 |
| 8        | DL5.08-8RFM  | 35.56        | 49.66 | 42.56 | 52.32 |
| 9        | DL5.08-9RFM  | 40.64        | 54.74 | 47.64 | 57.40 |
| 10       | DL5.08-10RFM | 45.72        | 59.82 | 52.72 | 62.48 |
| 11       | DL5.08-11RFM | 50.80        | 64.90 | 57.80 | 67.56 |
| 12       | DL5.08-12RFM | 55.88        | 69.98 | 62.88 | 72.64 |

| GENERAL TOLERANCES (UNLESS SPECIFIED)  |               | ZHEJIANG DELI CONNECTORS CO.,LTD         |  |
|--|---------------|--|--|
| .X: ± 0.25                             | X° : ± 3.0°   | PRODUCT NAME:<br>DL50803-RFM(DL5.08-RFM) | TITLE: 5.08 mm Pitch<br>Wire To Wire Housing |
| .XX: ± 0.15                            | .X° : ± 2.0°  | DR: Yuan Jun Rong                        | DATE.:21.12.12                               |
| .XXX: ± 0.01                           | .XX° : ± 1.0° | CHKD:Wu Hui                              | DATE.:21.12.12                               |
| FINISH:<br>—                           |               | APPD:Ren An De                           | DATE.:21.12.12                               |
| DRAWING NO:<br>GC-DL50803-XXRFM-XXX-XX |               |  |  |
|  |               |  | PART NO:<br>DL50803-XXRFM-XXX-XX             |
|  |               |  | SCALE: N/A                                   |
|  |               |  | PAGE: 1/1                                    |
|  |               |  | UNITS: mm                                    |
|  |               |  | REV.: A                                      |

|      |                      |      |      |
|------|----------------------|------|------|
| REV. | REVISION DESCRIPTION | DATE | APPD |
|      |                      |      |      |



**NORES:**

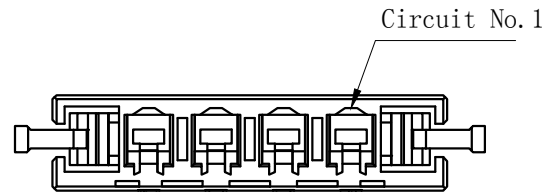
1. Rated voltage: 600V AC/DC
2. Rated current: 15A AC/DC (Max)
3. Contact resistance:  $\leq 10 \text{ m}\Omega$
4. Insulation resistance:  $\geq 1000 \text{ min M}\Omega$
5. Withstand voltage: 2200V AC/minute
6. Ambient temperature:  $-40^{\circ}\text{C} \sim +105^{\circ}\text{C}$
7. Materials: PBT UL94V-0
8. Matched RoHS criteria

| Circuits | Type        | Dimension mm |       |
|----------|-------------|--------------|-------|
|          |             | A            | B     |
| 2        | DL5.08-2YM  | 5.08         | 14.16 |
| 3        | DL5.08-3YM  | 10.16        | 19.24 |
| 4        | DL5.08-4YM  | 15.24        | 24.32 |
| 5        | DL5.08-5YM  | 20.32        | 29.40 |
| 6        | DL5.08-6YM  | 25.40        | 34.48 |
| 7        | DL5.08-7YM  | 30.48        | 39.56 |
| 8        | DL5.08-8YM  | 35.56        | 44.64 |
| 9        | DL5.08-9YM  | 40.64        | 49.72 |
| 10       | DL5.08-10YM | 45.72        | 54.80 |
| 11       | DL5.08-11YM | 50.80        | 59.88 |
| 12       | DL5.08-12YM | 55.88        | 64.96 |

**ORDERING INFORMATION**

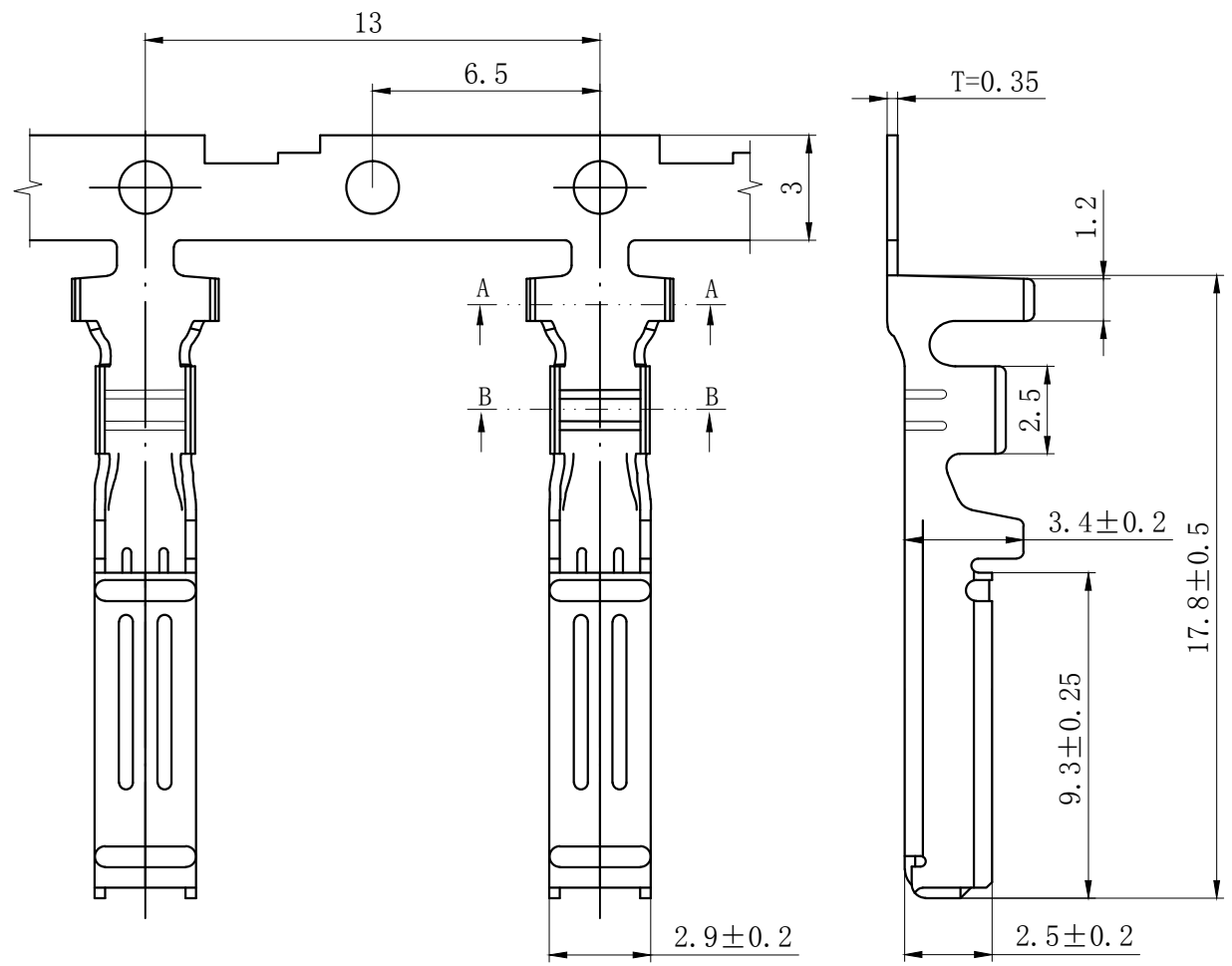
DL50803 - XX YM - X XX - XX  
 1 2 3 4 5 6

1. PART NO.
2. NO. OF CIRCUIT
3. CONN. TYPE
4. MATERIAL: 0: PA66 V0 1: PA66 V1 2: PA66 V2 3: PA66 V0 750 °C  
 4: LCP 5: PBT 6: PA9T 7: 9A6T 8: PA66 GF
5. COLOR: NA: NATURE RE: RED BR: BROWN  
 GY: GREY BK: BLACK YE: YELLOW  
 BL: BLUE GR: GREEN PU: PURPLE PI: PINK  
 OR: ORANGE TR: TRANSPARENT OT: OTHER
6. SERIAL NUMBER: 00.01.02.....



|                                       |              |  |                                   |
|---------------------------------------|--------------|--|-----------------------------------|
| GENERAL TOLERANCES (UNLESS SPECIFIED) |              | ZHEJIANG DELI CONNECTORS CO., LTD      |                                   |
| .X: ± 0.25                            | X°: ± 3.0°   | PRODUCT NAME:<br>DL50803-YM(DL5.08-YM) | TITLE:<br>5.08 mm Pitch Connector |
| .XX: ± 0.15                           | .X°: ± 2.0°  | DR: Yuan Jun Rong                      | DATE: .21.12.12                   |
| .XXX: ± 0.01                          | .XX°: ± 1.0° | CHKD: Wu Hui                           | DATE: .21.12.12                   |
| FINISH:                               |              | APPD: Ren An De                        | DATE: .21.12.12                   |
| DRAWING NO: GC-DL50803-XXYM-XXX-XX    |              | SCALE: N/A                             | PAGE: 1/1                         |
|                                       |              | UNITS: mm                              | REV.: A                           |

| REV. | REVISION DESCRIPTION | DATE | APPD |
|------|----------------------|------|------|
|      |                      |      |      |



**NORES:**

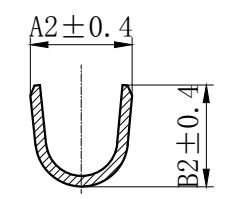
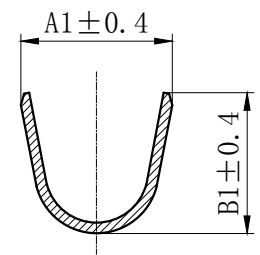
1. Rated voltage: 250V AC.DC
2. Rated current: 15A AC DC (Max)
3. Contact resistance: ≤10 mΩ
4. Insulation resistance: ≥1000 mΩ
5. Withstand voltage: 1500V AC/minute
6. Ambient temperature: -40°C~105°C
7. Materials: Phosphor bronze
8. Matched RoHS criteria
9. Finish: Gold plated over Ni

**ORDERING INFORMATION**

DL38101 - T - X - X - X - XX  
 1 2 3 4 5 6

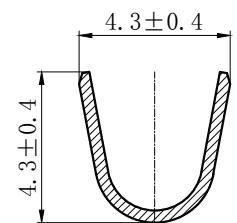
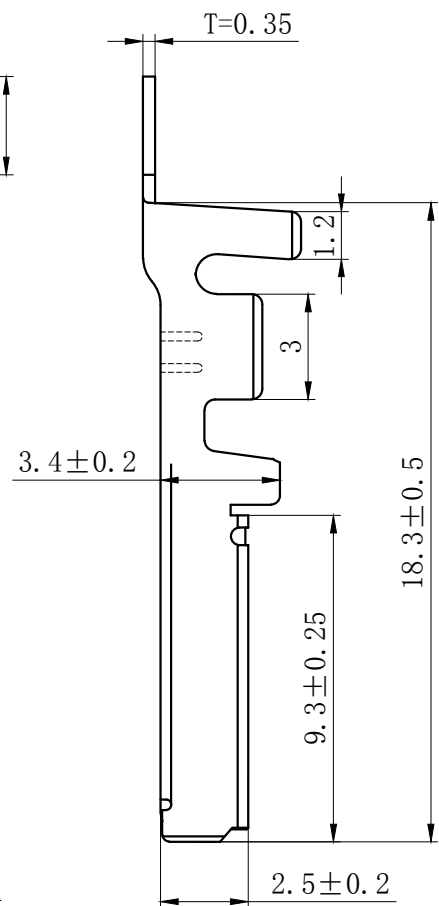
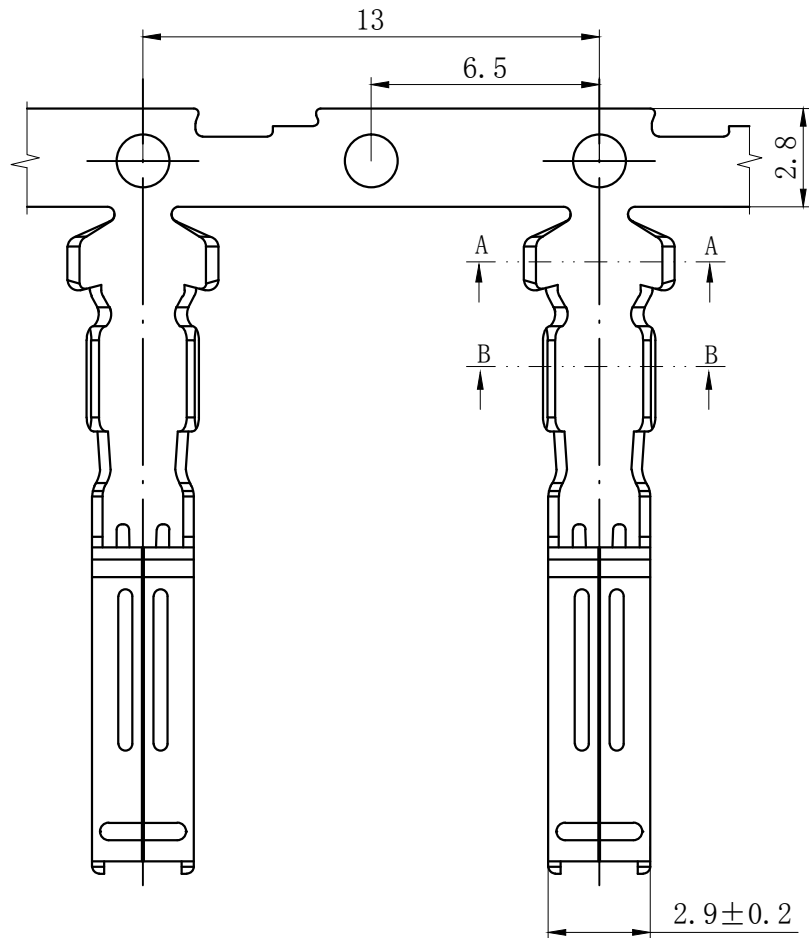
1. PART NO.
2. TERMINAL CODE
3. MATERIAL TYPE: 1: PHOSPHOR BRONZE 2: BRASS 3: IRON  
4: STAINLESS STEEL 5: OTHER
4. TECHNICS: 0: UNPLATED 1: FIRST PLATING 2: POST PLATING  
3: OTHER
5. FINISH: 1: TIN-PLATED 2: MATTE PLATED 3: NICKEL PLATED  
4: PICKLING 5: SILVER PLATED 6: GOLD PLATED  
7: GALVANIZED 8: OTHER
6. SERIAL NUMBER: 00.01.02.....

| TYPE       | Dimension mm |     |     |     | 适用线规<br>AWG# |
|------------|--------------|-----|-----|-----|--------------|
|            | A1           | B1  | A2  | B2  |              |
| DL3810-T-D | 3.8          | 3.8 | 2.3 | 2.3 | 24-20        |
| DL3810-T   | 4.3          | 4.0 | 2.9 | 2.9 | 20-16        |

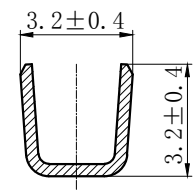


| GENERAL TOLERANCES<br>(UNLESS SPECIFIED) |              | ZHE JIANG DELI CONNECTORS CO., LTD    |  |  |  |
|--|--------------|---------------------------------------|--|--|--|
| .X: ± 0.25                               | X°: ± 3.0°   | PRODUCT NAME:<br>DL38101-T (DL3810-T) |  | TITLE:<br>3.81mm Pitch<br>Crimp Terminal |  |
| .XX: ± 0.15                              | .X°: ± 2.0°  | DR: Chen Quan Long                    |  | DATE: .21.12.25                          |  |
| .XXX: ± 0.01                             | .XX°: ± 1.0° | CHKD: Wu Hui                          |  | DATE: .21.12.25                          |  |
| FINISH: _____                            |              | APPD: Ren An De                       |  | DATE: .21.12.25                          |  |
| DRAWING NO: GC-DL38101-T-X-X-X-XX        |              | UNITS: mm                             |  | PAGE: 1/2                                |  |
|  |              | REVISION: A                           |  | SCALE: N/A                               |  |

| REV. | REVISION DESCRIPTION | DATE | APPD |
|------|----------------------|------|------|
|      |                      |      |      |



SECTION A-A



SECTION B-B

**NORES:**

1. Rated voltage: 250V AC.DC
2. Rated current: 15A AC DC (MAX)
3. Contact resistance:  $\leq 10 \text{ m}\Omega$
4. Insulation resistance:  $\geq 1000 \text{ m}\Omega$
5. Withstand voltage: 1500V AC/minute
6. Ambient temperature:  $-40^{\circ}\text{C} \sim 105^{\circ}\text{C}$
7. Materials: Phosphor bronze
8. Matched RoHS criteria
9. Finish: Gold plated over Ni
10. Applicable Wire Sizes: AWG#16-14

**ORDERING INFORMATION**

DL38101 - T - X - X - X - XX  
 1 2 3 4 5 6

1. PART NO.
2. TERMINAL CODE
3. MATERIAL TYPE: 1: PHOSPHOR BRONZE 2: BRASS 3: IRON  
4: STAINLESS STEEL 5: OTHER
4. TECHNICS: 0: UNPLATED 1: FIRST PLATING 2: POST PLATING  
3: OTHER
5. FINISH: 1: TIN-PLATED 2: MATTE PLATED 3: NICKEL PLATED  
4: PICKLING 5: SILVER PLATED 6: GOLD PLATED  
7: GALVANIZED 8: OTHER
6. SERIAL NUMBER: 00.01.02.....

| GENERAL TOLERANCES<br>(UNLESS SPECIFIED) |                         | ZHE JIANG DELI CONNECTORS CO., LTD        |  |
|--|-------------------------|---|--|
| .X: $\pm 0.25$                           | X°: $\pm 3.0^{\circ}$   | PRODUCT NAME:<br>DL38101-T-G (DL3810-T-G) | TITLE:<br>3.81mm Pitch<br>Crimp Terminal |
| .XX: $\pm 0.15$                          | .X°: $\pm 2.0^{\circ}$  | DR: Chen Quan Long                        | DATE: .21.12.25                          |
| .XXX: $\pm 0.01$                         | .XX°: $\pm 1.0^{\circ}$ | CHKD: Wu Hui                              | DATE: .21.12.25                          |
| FINISH: _____                            |                         | APPD: Ren An De                           | DATE: .21.12.25                          |
| DRAWING NO: GC-DL38101-T-X-X-X-XX        |                         | SCALE: N/A                                | PAGE: 2/2                                |
|  |                         | UNITS: mm                                 | REV.: A                                  |

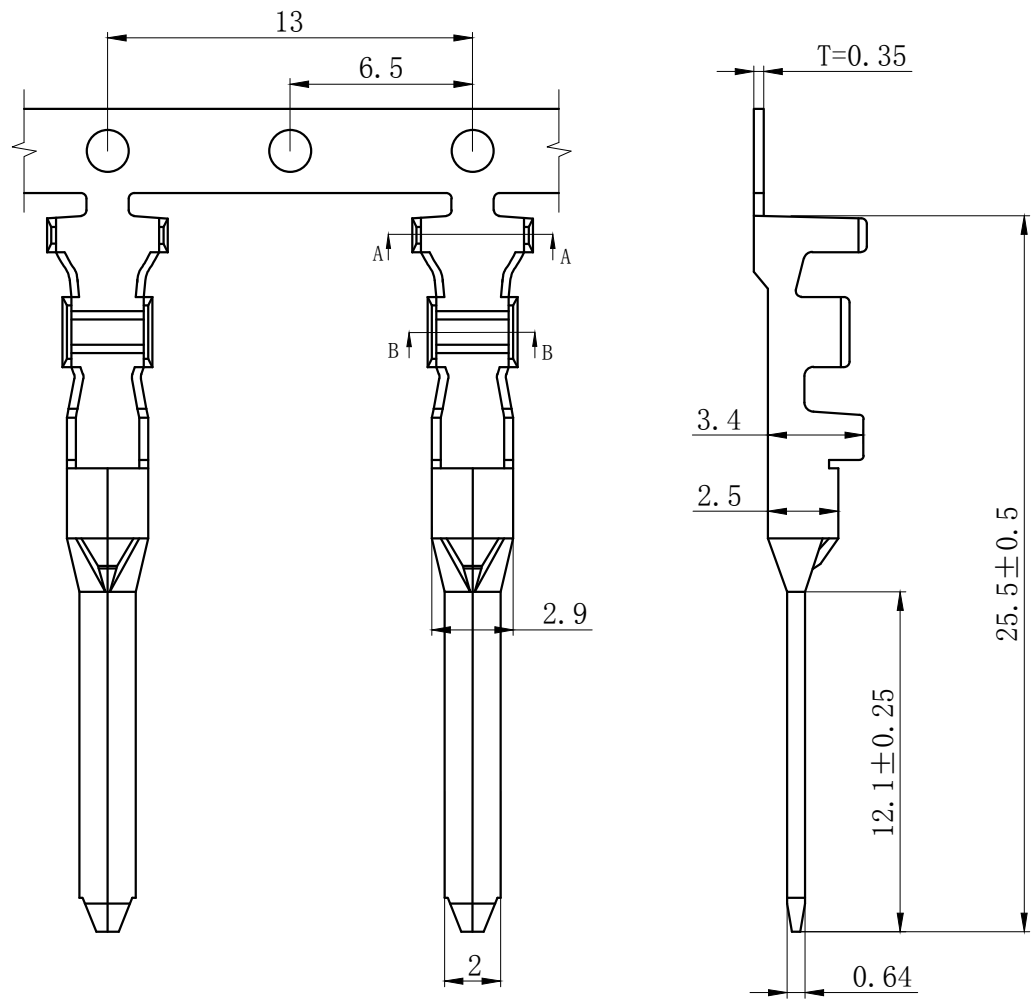
A  
B  
C  
D  
E  
F

A  
B  
C  
D  
E  
F

1 2 3 4 5 6 7 8



| REV. | REVISION DESCRIPTION | DATE | APPD |
|------|----------------------|------|------|
|      |                      |      |      |

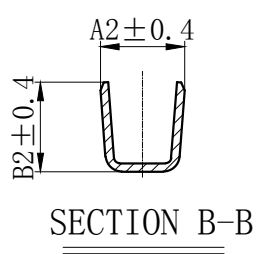
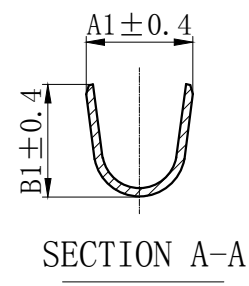


- NORES:**
1. Rated voltage: 250V AC.DC
  2. Rated current: 15A AC DC (Max)
  3. Contact resistance:  $\leq 10 \text{ m}\Omega$
  4. Insulation resistance:  $\geq 1000 \text{ m}\Omega$
  5. Withstand voltage: 1500V AC/minute
  6. Ambient temprature:  $-40^{\circ}\text{C} \sim 105^{\circ}\text{C}$
  7. Materials: Phosphor bronze
  8. Matched RoHS criteria
  9. Finish: Gold plated over Ni

**ORDERING INFORMATION**  
 DLXXXX - XX - X - X - X - XX  
 1 2 3 4 5 6

1. PART NO.
2. TERMINAL CODE
3. MATERIAL TYPE: 1: PHOSPJOR BRONZE 2: BRASS 3: IRON  
4: STAINLESS STEEL 5: OTHER
4. TECHNICS: 0: UNPLATED 1: FIRST PLATING 2: POST PLATING  
3: OTHER
5. FINISH: 1: TIN-PLATED 2: MATTE PLATED 3: NICKEL PLATED  
4: PICKLING 5: SILVER PLATED 6: GOLD PLATED  
7: GALVANIZED 8: OTHER
6. SERIAL NUMBER: 00.01.02.....

| TYPE        | Dimension mm |     |     |     | 适用线规  |
|-------------|--------------|-----|-----|-----|-------|
|             | A1           | B1  | A2  | B2  | AWG#  |
| DL3810-RT-D | 3.7          | 3.8 | 2.3 | 2.3 | 24-20 |
| DL3810-RT   | 3.8          | 4.0 | 3.0 | 3.2 | 20-16 |
| DL3810-RT-G | 4.3          | 4.3 | 3.2 | 3.2 | 16-14 |



| GENERAL TOLERANCES (UNLESS SPECIFIED) |                        | ZHE JIANG DELI CONNECTORS CO., LTD |   |
|---------------------------------------|------------------------|------------------------------------|---|
| .X: ± 0.25                            | X°: ± 3.0°             | PRODUCT NAME:                      | TITLE:                                      |
| .XX: ± 0.15                           | .X°: ± 2.0°            | DL38101 (DL3810)-RT                | 3.81mm Pitch<br>Wire To Wire Crimp Terminal |
| .XXX: ± 0.01                          | .XX°: ± 1.0°           | DR: Chen Quan Long                 | DATE: .21.12.25                             |
| FINISH:                               |                        | CHKD: Wu Hui                       | DATE: .21.12.25                             |
| DRAWING NO:                           | GC-DL38101-RT-X-X-X-XX | APPD: Ren An De                    | DATE: .21.12.25                             |
|                                       |                        | PART NO:                           | DL38101-RT-X-X-X-XX                         |
|                                       |                        | SCALE: N/A                         | PAGE: 1/1                                   |
|                                       |                        | UNITS: mm                          | REV.: A                                     |

## X-ON Electronics

Largest Supplier of Electrical and Electronic Components

*Click to view similar products for [Headers & Wire Housings](#) category:*

*Click to view products by [DLL](#) manufacturer:*

Other Similar products are found below :

[0015917161](#) [0022155065](#) [57102-F02-18ULF](#) [58102-G61-06LF](#) [582553-1](#) [01.001.5753.1](#) [0050291907](#) [02.125.8002.8](#) [609-3404](#) [61062-3](#)  
[CSU011177004](#) [622-0430](#) [622-3653LF](#) [63453-116](#) [636-1030](#) [636-1427](#) [636-3427](#) [636-4007](#) [641938-9](#) [65495-038](#) [65692-001LF](#) [65781-018](#)  
[65781-047](#) [65817-010LF](#) [65817-015LF](#) [67095-007LF](#) [67601157](#) [68631-112](#) [68645-018](#) [699319-000](#) [70.362.1628.0](#) [70-4210](#) [70-4226B](#) [70-](#)  
[4853B](#) [71.350.2428.0](#) [733-134](#) [733-162](#) [760-3052](#) [MHR-64-VUAL](#) [80.063.4001.1](#) [800-90-001-10-001000](#) [801-43-002-10-013000](#)  
[801-43-006-10-002000](#) [803-43-024-10-001000](#) [803-93-012-10-001000](#) [8-1437020-4](#) [819-22-004-30-001101](#) [820-22-006-30-001101](#)  
[820-22-008-30-001101](#) [821-22-002-10-001101](#)