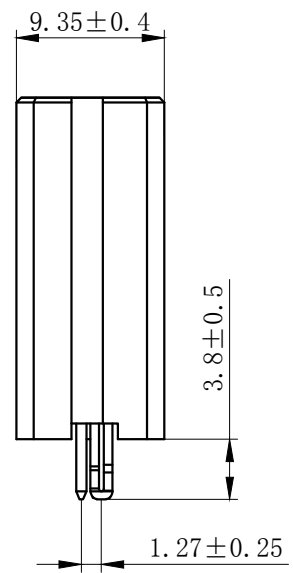
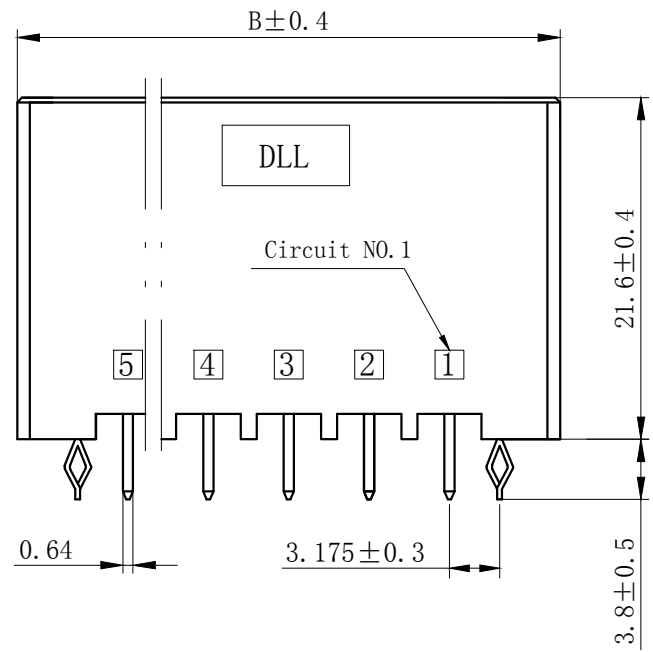


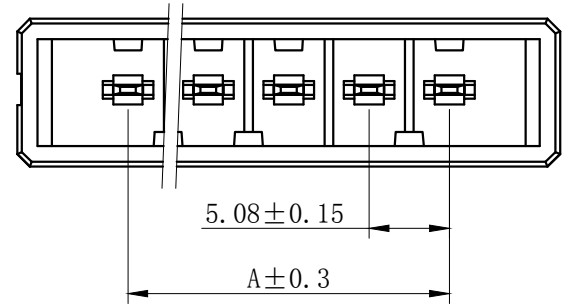
技术特性/Specifications:

额定电压 Rated voltage: 600V AC, DC
额定电流 Rated current: 15A AC, DC max
接触电阻 Contact resistance: 10m Ω max
绝缘电阻 Insulation resistance: 1000M Ω min
耐压 Withstand voltage: 220V AC/minute
环境温度 Ambient temperature: -40 $^{\circ}$ C~+105 $^{\circ}$ C
适用线规 Wire range: AWG#32~#28

REV.	REVISION DESCRIPTION	DATE	APPD



- NORES:
- Rated voltage: 600V AC/DC
 - Rated current: 15A AC DC(Max)
 - Contact resistance: $\leq 10 \text{ m}\Omega$
 - Insulation resistance: $\geq 1000 \text{ m}\Omega$
 - Withstand voltage: 2200V AC/minute
 - Ambient temperature: $-40^{\circ}\text{C} \sim +105^{\circ}\text{C}$
 - Materials: PBT UL94V-0
 - Matched RoHS criteria
 - PIN materials: phosphor bronze
 - Finish: Gold plated over Ni

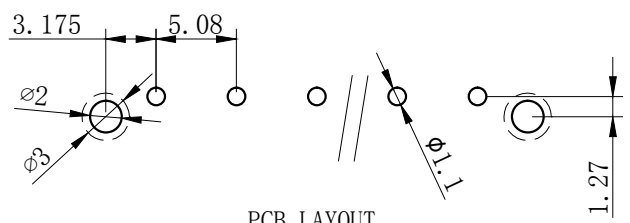


ORDERING INFORMATION

DL50803 - XX AM - X XX - X X - X - XX
 1 2 3 4 5 6 7 8 9

- PART NO.
- NO. OF CIRCUIT
- CONN. TYPE
- MATERIAL: 0:PA66 V0 1:PA66 V1 2:PA66 V2 3:PA66 V0 750 °C
4:LCP 5:PBT 6:PA9T 7:9A6T 8:GF PA66
- COLOR: NA:NATURE RE:RED BR:BROWN
GY:GREY BK:BLACK YE:YELLOW
BL:BLUE GR:GREEN PU:PURPLE PI:PINK
OR:ORANGE TR:TRANSPARENT OT:OTHER
- CONTACT MATERIAL: P:PHOSPHOR BRONZE B:BRASS
- FINISH: T:TIN MT:MATT TIN BG/QG:GOLD S:SILVER
- STYLE: Z:WITHOUT K K:WITH K
- SERIAL NUMBER: 00.01.02.....

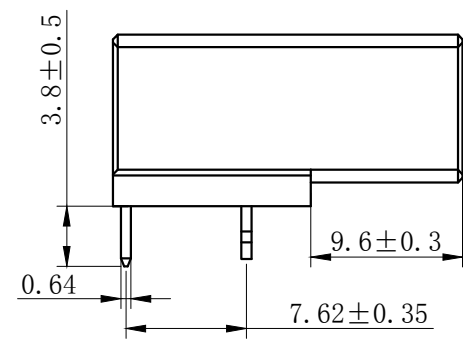
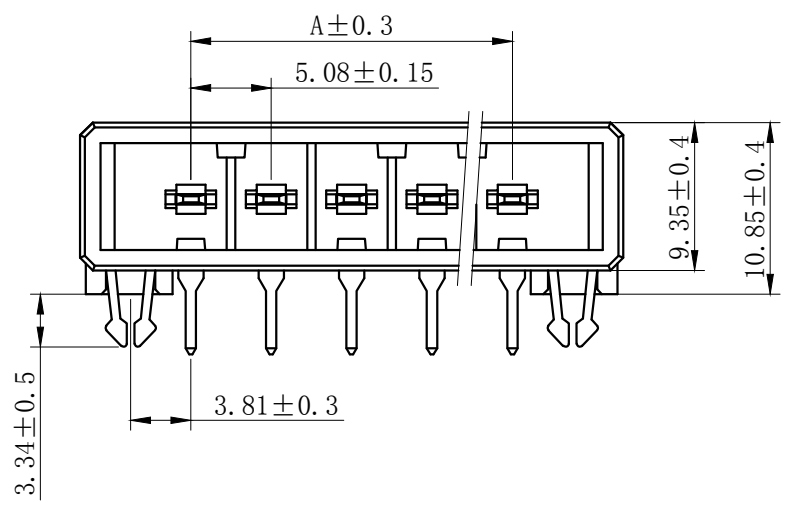
Circuits	Type	Dimension mm	
		A	B
2	DL5.08-2AM	5.08	19.08
3	DL5.08-3AM	10.16	24.16
4	DL5.08-4AM	15.24	29.24
5	DL5.08-5AM	20.32	34.32
6	DL5.08-6AM	25.40	39.40
7	DL5.08-7AM	30.48	44.48
8	DL5.08-8AM	35.56	49.56
9	DL5.08-9AM	40.64	54.64
10	DL5.08-10AM	45.72	59.72
11	DL5.08-11AM	50.80	64.80
12	DL5.08-12AM	55.88	69.88



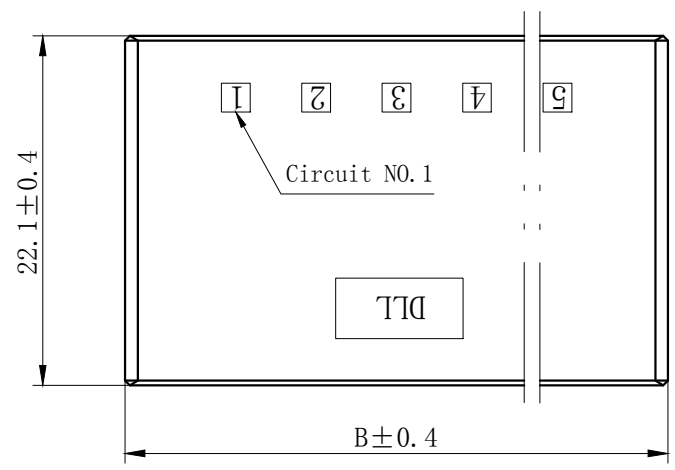
PCB LAYOUT

GENERAL TOLERANCES (UNLESS SPECIFIED)		ZHE JIANG DELI CONNECTORS CO., LTD	
.X: ± 0.25	X°: ± 3.0°	PRODUCT NAME: DL50803-AM (DL5.08-AM)	TITLE: 5.08 mm pitch WTB Connector Wafer
.XX: ± 0.15	.X°: ± 2.0°	DR: Yuan Jun Rong	DATE: 22.05.12
.XXX: ± 0.01	.XX°: ± 1.0°	CHKD: Wu Hui	DATE: 22.05.12
DRAWING NO: GC-DL50803-XXAM-XXX-XX-X-XX		APPD: Ren Nan De	DATE: 22.05.12
		PART NO: DL50803-XXAM-XXX-XX-X-XX	
		SCALE: N/A	PAGE: 1/1
		UNITS: mm	REV.: A

REV.	REVISION DESCRIPTION	DATE	APPD



- NORES:
1. Rated voltage: 600V AC.DC
 2. Rated current: 15A AC DC (Max)
 3. Contact resistance: $\leq 10 \text{ m}\Omega$
 4. Insulation resistance: $\geq 1000 \text{ m}\Omega$
 5. Withstand voltage: 2200V AC/minute
 6. Ambient temprature: $-40^{\circ}\text{C} \sim +105^{\circ}\text{C}$
 7. Materials: PBT UL94V-0
 8. Matched RoHS criteria
 9. PIN materials: phosphor bronze
 10. Finish: Gold plated over Ni

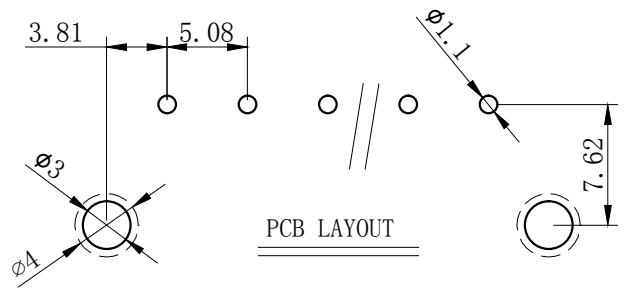


ORDERING INFORMATION

DL50803 - XX WSM - X XX - X X - X - XX
 1 2 3 4 5 6 7 8 9

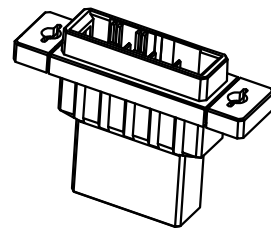
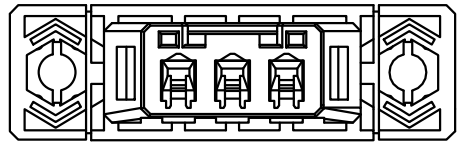
1. PART NO.
2. NO. OF CIRCUIT
3. CONN. TYPE
4. MATERIAL: 0:PA66 V0 1:PA66 V1 2:PA66 V2 3:PA66 V0 750 °C
 4:LCP 5:PBT 6:PA9T 7:9A6T 8:GF PA66
5. COLOR: NA:NATURE RE:RED BR:BROWN
 GY:GREY BK:BLACK YE:YELLOW
 BL:BLUE GR:GREEN PU:PURPLE PI:PINK
 OR:ORANGE TR:TRANSPARENT OT:OTHER
6. CONTACT MATERIAL: P:PHOSPHOR BRONZE B:BRASS
7. FINISH: T:TIN MT:MATT TIN BG/QG:GOLD S:SILVER
8. STYLE: Z:WITHOUT K K:WITH K
9. SERIAL NUMBER: 00.01.02....

Circuits	Type	Dimension mm	
		A	B
2	DL5.08-2AWSM	5.08	19.08
3	DL5.08-3AWSM	10.16	24.16
4	DL5.08-4AWSM	15.24	29.24
5	DL5.08-5AWSM	20.32	34.32
6	DL5.08-6AWSM	25.40	39.40
7	DL5.08-7AWSM	30.48	44.48
8	DL5.08-8AWSM	35.56	49.56
9	DL5.08-9AWSM	40.64	54.64
10	DL5.08-10AWSM	45.72	59.72
11	DL5.08-11AWSM	50.80	64.80
12	DL5.08-12AWSM	55.88	69.88

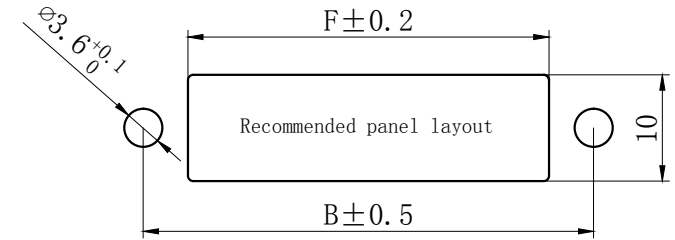
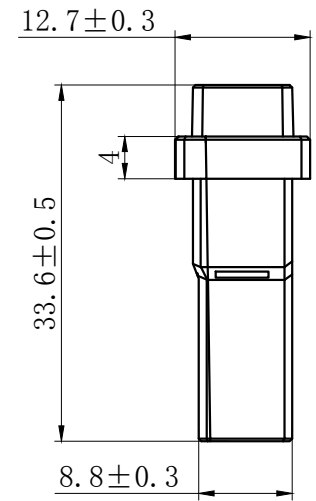
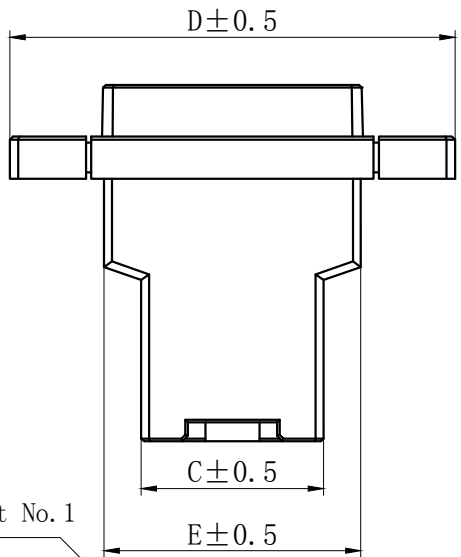


GENERAL TOLERANCES (UNLESS SPECIFIED)		ZHE JIANG DELI CONNECTORS CO., LTD	
.X: ± 0.25	X°: ± 3.0°	PRODUCT NAME:	TITLE: 5.08 mm pitch WTB Connector Wafer
.XX: ± 0.15	.X°: ± 2.0°	DL50803-AWSM(DL5.08-AWSM)	PART NO: DL50803-XXWSM-XXX-XX-X-XX
.XXX: ± 0.01	.XX°: ± 1.0°	DR: Yuan Jun Rong	DATE: 22.05.12
FINISH:		CHKD: Wu Hui	DATE: 22.05.12
DRAWING NO: GC-DL50803-XXWSM-XXX-XX-X-XX		APPD: Ren Nan De	DATE: 22.05.12
		SCALE: N/A	PAGE: 1/1
		UNITS: mm	REV.: A

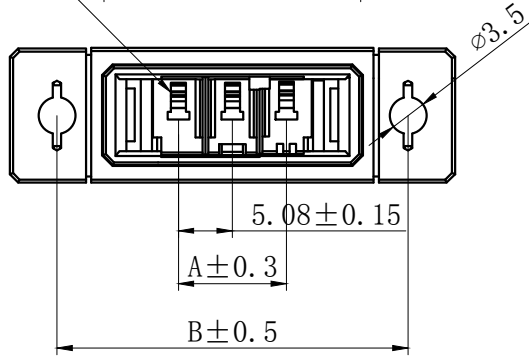
REV.	REVISION DESCRIPTION	DATE	APPD



- NORES:**
1. Rated voltage: 600V AC/DC
 2. Rated current: 15A AC/DC (Max)
 3. Contact resistance: $\leq 10 \text{ m}\Omega$
 4. Insulation resistance: $\geq 1000 \text{ min M}\Omega$
 5. Withstand voltage: 2200V AC/minute
 6. Ambient temperature: $-40^\circ\text{C} \sim +105^\circ\text{C}$
 7. Materials: PBT UL94V-0
 8. Matched RoHS criteria



Circuit No. 1



ORDERING INFORMATION

DL50803 - XX RM - X XX - XX
 1 2 3 4 5 6

1. PART NO.
2. . NO. OF CIRCUIT
3. CONN. TYPE
4. MATERIAL: 0: PA66 V0 1: PA66 V1 2: PA66 V2 3: PA66 V0 750°C
 4: LCP 5: PBT 6:PA9T 7:9A6T 8:PA66 GF
5. COLOR: NA:NATURE RE:RED BR:BROWN
 GY:GREY BK:BLACK YE:YELLOW
 BL:BLUE GR:GREEN PU:PURPLE PI:PINK
 OR:ORANGE TR:TRANSPARENT OT:OTHER
6. SERIAL NUMBER: 00.01.02.....

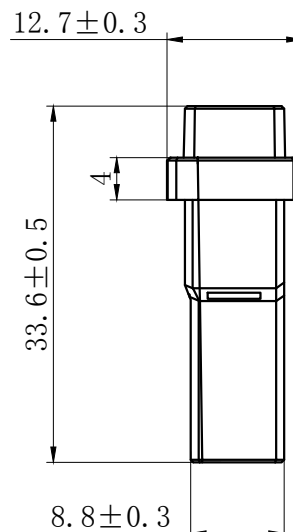
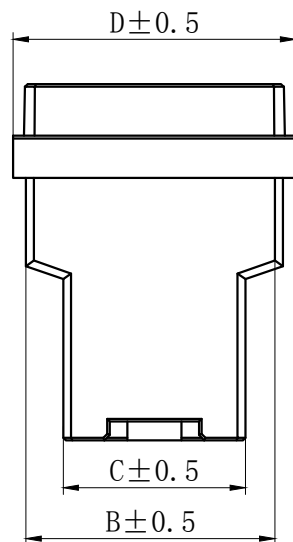
Circuits	Type	Dimension mm					
		A	B	C	D	E	F
2	DL5.08-2RM	5.08	28.00	12.08	36.83	19.18	20.00
3	DL5.08-3RM	10.16	33.00	17.16	41.91	24.26	25.00
4	DL5.08-4RM	15.24	38.00	22.24	46.99	29.34	30.00
5	DL5.08-5RM	20.32	43.00	27.32	52.07	34.42	35.00
6	DL5.08-6RM	25.40	49.00	32.40	57.15	39.50	41.00
7	DL5.08-7RM	30.48	53.00	37.48	62.23	44.58	46.00
8	DL5.08-8RM	35.56	58.00	42.56	67.31	49.66	51.00
9	DL5.08-9RM	40.64	63.00	47.64	72.39	54.74	56.00
10	DL5.08-10RM	45.72	70.00	52.72	77.47	59.82	61.00
11	DL5.08-11RM	50.80	73.00	57.80	82.55	64.90	66.00
12	DL5.08-12RM	55.88	78.00	62.88	87.63	69.98	71.00

GENERAL TOLERANCES (UNLESS SPECIFIED)		ZHEJIANG DELI CONNECTORS CO., LTD	
.X: ± 0.25	.X°: ± 3.0°	PRODUCT NAME: DL50803-RM(DL5.08-RM)	
.XX: ± 0.15	.X°: ± 2.0°	TITLE: 5.08 mm Pitch Wire To Wire Housing	
.XXX: ± 0.01	.XX°: ± 1.0°	DR: Yuan Jun Rong	DATE: .21.12.12
FINISH:		CHKD:Wu Hui	DATE: .21.12.12
DRAWING NO: GC-DL50803-XXRM-XXX-XX		APPD:Ren An De	DATE: .21.12.12
		PART NO: DL50803-XXRM-XXX-XX	
		SCALE: N/A	PAGE: 1/1
		UNITS: mm	REV.: A

REV.	REVISION DESCRIPTION	DATE	APPD

NORES:

1. Rated voltage: 600V AC.DC
2. Rated current: 15A AC DC(Max)
3. Contact resistance: $\leq 10 \text{ m}\Omega$
4. Insulation resistance: $\geq 1000 \text{ min M}\Omega$
5. Withstand voltage: 2200V AC/minute
6. Ambient temperature: $-40^{\circ}\text{C} \sim +105^{\circ}\text{C}$
7. Materials: PBT UL94V-0
8. Matched RoHS criteria



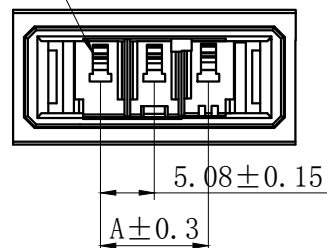
Circuits	Type	Dimension mm			
		A	B	C	D
2	DL5.08-2RFM	5.08	19.18	12.08	21.84
3	DL5.08-3RFM	10.16	24.26	17.16	26.92
4	DL5.08-4RFM	15.24	29.34	22.24	32.00
5	DL5.08-5RFM	20.32	34.42	27.32	37.08
6	DL5.08-6RFM	25.40	39.50	32.40	42.16
7	DL5.08-7RFM	30.48	44.58	37.48	47.24
8	DL5.08-8RFM	35.56	49.66	42.56	52.32
9	DL5.08-9RFM	40.64	54.74	47.64	57.40
10	DL5.08-10RFM	45.72	59.82	52.72	62.48
11	DL5.08-11RFM	50.80	64.90	57.80	67.56
12	DL5.08-12RFM	55.88	69.98	62.88	72.64

ORDERING INFORMATION

DL50803 - XX RFM - X XX - XX
 1 2 3 4 5 6

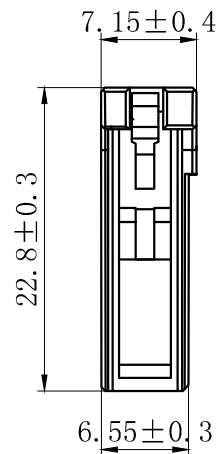
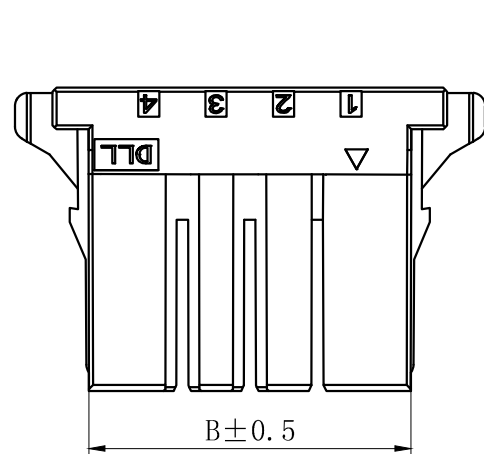
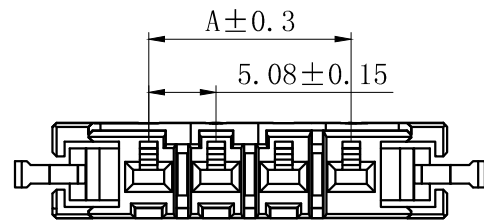
1. PART NO.
2. NO. OF CIRCUIT
3. CONN. TYPE
4. MATERIAL: 0: PA66 V0 1: PA66 V1 2: PA66 V2 3: PA66 V0 750°C
4: LCP 5: PBT 6: PA9T 7: PA6T 8: PA66 GF
5. COLOR: NA: NATURE RE: RED BR: BROWN
GY: GREY BK: BLACK YE: YELLOW
BL: BLUE GR: GREEN PU: PURPLE PI: PINK
OR: ORANGE TR: TRANSPARENT OT: OTHER
6. SERIAL NUMBER: 00.01.02....

Circuit No.1



GENERAL TOLERANCES (UNLESS SPECIFIED)		ZHEJIANG DELI CONNECTORS CO., LTD	
.X: ± 0.25	X°: ± 3.0°	PRODUCT NAME: DL50803-RFM(DL5.08-RFM)	TITLE: 5.08 mm Pitch Wire To Wire Housing
.XX: ± 0.15	.X°: ± 2.0°	DR: Yuan Jun Rong	DATE: .21.12.12
.XXX: ± 0.01	.XX°: ± 1.0°	CHKD: Wu Hui	DATE: .21.12.12
FINISH:		APPD: Ren An De	DATE: .21.12.12
DRAWING NO: GC-DL50803-XXRFM-XXX-XX		PART NO: DL50803-XXRFM-XXX-XX	
		SCALE: N/A	PAGE: 1/1
		UNITS: mm	REV.: A

REV.	REVISION DESCRIPTION	DATE	APPD



NORES:

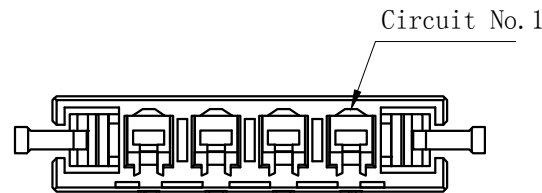
1. Rated voltage: 600V AC/DC
2. Rated current: 15A AC/DC (Max)
3. Contact resistance: ≤ 10 mΩ
4. Insulation resistance: ≥ 1000 min MΩ
5. Withstand voltage: 2200V AC/minute
6. Ambient temperature: -40°C ~ +105°C
7. Materials: PBT UL94V-0
8. Matched RoHS criteria

Circuits	Type	Dimension mm	
		A	B
2	DL5.08-2YM	5.08	14.16
3	DL5.08-3YM	10.16	19.24
4	DL5.08-4YM	15.24	24.32
5	DL5.08-5YM	20.32	29.40
6	DL5.08-6YM	25.40	34.48
7	DL5.08-7YM	30.48	39.56
8	DL5.08-8YM	35.56	44.64
9	DL5.08-9YM	40.64	49.72
10	DL5.08-10YM	45.72	54.80
11	DL5.08-11YM	50.80	59.88
12	DL5.08-12YM	55.88	64.96

ORDERING INFORMATION

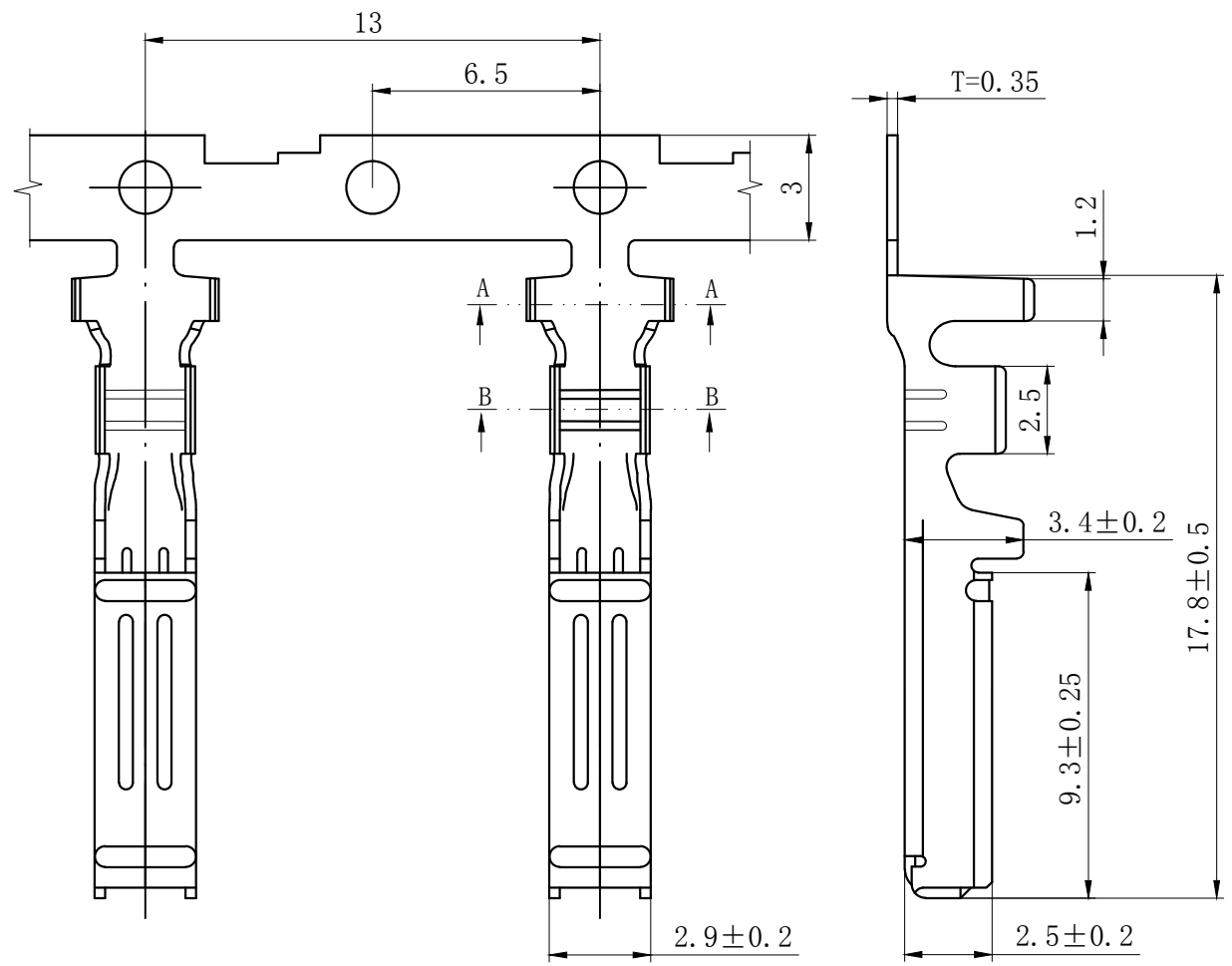
DL50803 - XX YM - X XX - XX
 1 2 3 4 5 6

1. PART NO.
2. NO. OF CIRCUIT
3. CONN. TYPE
4. MATERIAL: 0: PA66 V0 1: PA66 V1 2: PA66 V2 3: PA66 V0 750 °C
 4: LCP 5: PBT 6: PA9T 7: 9A6T 8: PA66 GF
5. COLOR: NA: NATURE RE: RED BR: BROWN
 GY: GREY BK: BLACK YE: YELLOW
 BL: BLUE GR: GREEN PU: PURPLE PI: PINK
 OR: ORANGE TR: TRANSPARENT OT: OTHER
6. SERIAL NUMBER: 00.01.02.....



GENERAL TOLERANCES (UNLESS SPECIFIED)		ZHEJIANG DELI CONNECTORS CO., LTD	
.X: ± 0.25	X°: ± 3.0°	PRODUCT NAME: DL50803-YM(DL5.08-YM)	TITLE: 5.08 mm Pitch Connector
.XX: ± 0.15	.X°: ± 2.0°	DR: Yuan Jun Rong	DATE: 21.12.12
.XXX: ± 0.01	.XX°: ± 1.0°	CHKD: Wu Hui	DATE: 21.12.12
FINISH:		APPD: Ren An De	DATE: 21.12.12
DRAWING NO: GC-DL50803-XXYM-XXX-XX		SCALE: N/A	PAGE: 1/1
		UNITS: mm	REV.: A

REV.	REVISION DESCRIPTION	DATE	APPD



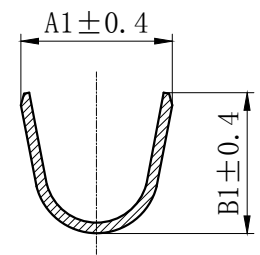
NORES:

1. Rated voltage: 250V AC/DC
2. Rated current: 15A AC/DC (Max)
3. Contact resistance: ≤10 mΩ
4. Insulation resistance: ≥1000 mΩ
5. Withstand voltage: 1500V AC/minute
6. Ambient temperature: -40°C~105°C
7. Materials: Phosphor bronze
8. Matched RoHS criteria
9. Finish: Gold plated over Ni

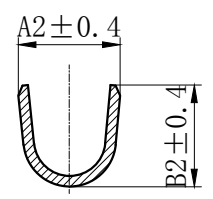
ORDERING INFORMATION

DL38101 - T - X - X - X - XX
 1 2 3 4 5 6

1. PART NO.
2. TERMINAL CODE
3. MATERIAL TYPE: 1: PHOSPHOR BRONZE 2: BRASS 3: IRON 4: STAINLESS STEEL 5: OTHER
4. TECHNICS: 0: UNPLATED 1: FIRST PLATING 2: POST PLATING 3: OTHER
5. FINISH: 1: TIN-PLATED 2: MATTE PLATED 3: NICKEL PLATED 4: PICKLING 5: SILVER PLATED 6: GOLD PLATED 7: GALVANIZED 8: OTHER
6. SERIAL NUMBER: 00.01.02.....



SECTION A-A

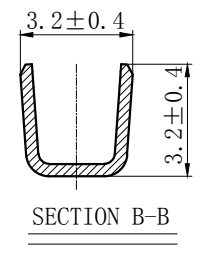
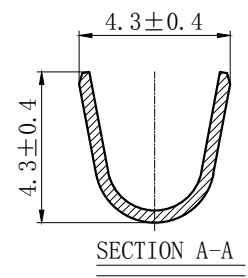
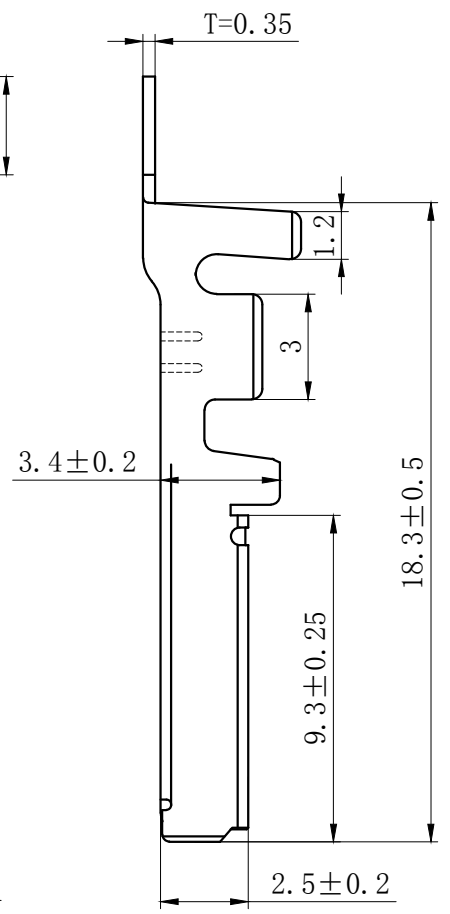
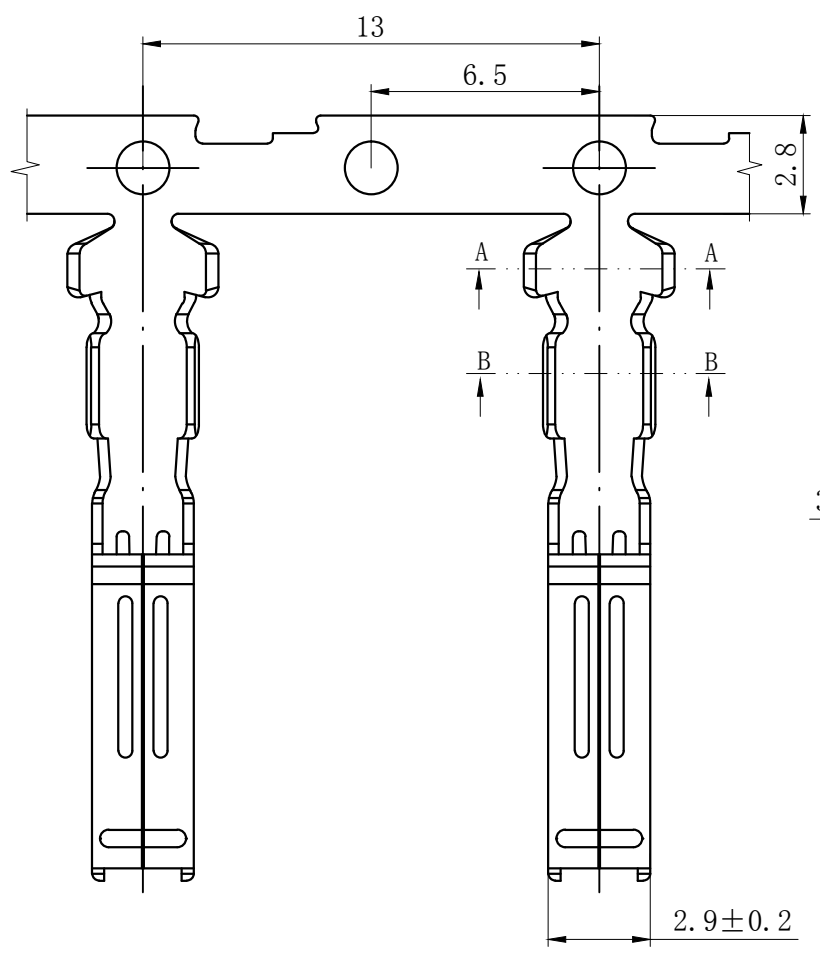


SECTION B-B

TYPE	Dimension mm				适用线规 AWG#
	A1	B1	A2	B2	
DL3810-T-D	3.8	3.8	2.3	2.3	24-20
DL3810-T	4.3	4.0	2.9	2.9	20-16

GENERAL TOLERANCES (UNLESS SPECIFIED)		ZHE JIANG DELI CONNECTORS CO., LTD			
.X: ±0.25	X°: ±3.0°	PRODUCT NAME: DL38101-T (DL3810-T)		TITLE: 3.81mm Pitch Crimp Terminal	
.XX: ±0.15	.X°: ±2.0°	DR: Chen Quan Long	DATE: .21.12.25	PART NO: DL38101-T-X-X-X-XX	
.XXX: ±0.01	.XX°: ±1.0°	CHKD: Wu Hui	DATE: .21.12.25	SCALE: N/A	PAGE: 1/2
DRAWING NO: GC-DL38101-T-X-X-X-XX		APPD: Ren An De	DATE: .21.12.25	UNITS: mm	REV.: A

REV.	REVISION DESCRIPTION	DATE	APPD



NORES:

1. Rated voltage: 250V AC.DC
2. Rated current: 15A AC DC (MAX)
3. Contact resistance: $\leq 10 \text{ m}\Omega$
4. Insulation resistance: $\geq 1000 \text{ m}\Omega$
5. Withstand voltage: 1500V AC/minute
6. Ambient temperature: $-40^{\circ}\text{C} \sim 105^{\circ}\text{C}$
7. Materials: Phosphor bronze
8. Matched RoHS criteria
9. Finish: Gold plated over Ni
10. Applicable Wire Sizes: AWG#16-14

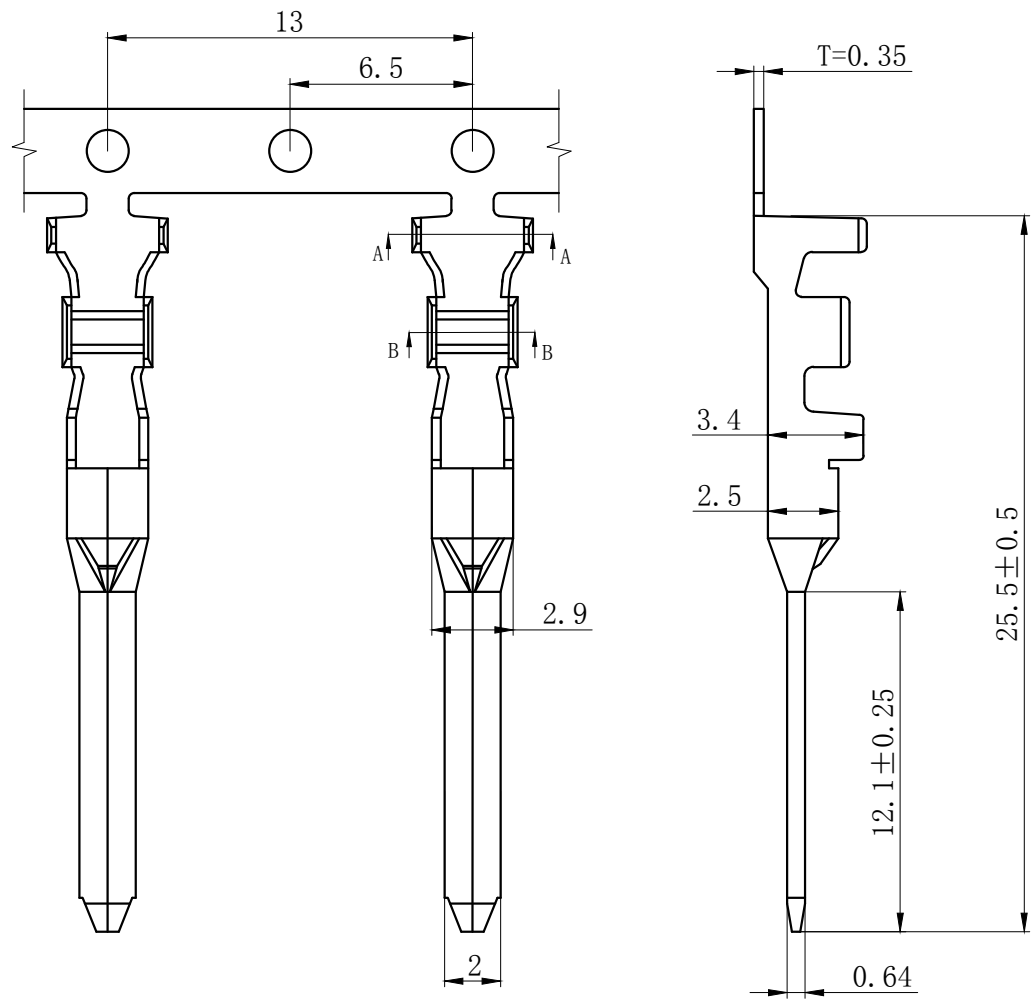
ORDERING INFORMATION

DL38101 - T - X - X - X - XX
 1 2 3 4 5 6

1. PART NO.
2. TERMINAL CODE
3. MATERIAL TYPE: 1: PHOSPHOR BRONZE 2: BRASS 3: IRON
4: STAINLESS STEEL 5: OTHER
4. TECHNICS: 0: UNPLATED 1: FIRST PLATING 2: POST PLATING
3: OTHER
5. FINISH: 1: TIN-PLATED 2: MATTE PLATED 3: NICKEL PLATED
4: PICKLING 5: SILVER PLATED 6: GOLD PLATED
7: GALVANIZED 8: OTHER
6. SERIAL NUMBER: 00.01.02.....

GENERAL TOLERANCES (UNLESS SPECIFIED)		ZHE JIANG DELI CONNECTORS CO., LTD	
.X: ± 0.25	X°: $\pm 3.0^{\circ}$	PRODUCT NAME: DL38101-T-G (DL3810-T-G)	TITLE: 3.81mm Pitch Crimp Terminal
.XX: ± 0.15	.X°: $\pm 2.0^{\circ}$	DR: Chen Quan Long	DATE: .21.12.25
.XXX: ± 0.01	.XX°: $\pm 1.0^{\circ}$	CHKD: Wu Hui	DATE: .21.12.25
FINISH: _____		APPD: Ren An De	DATE: .21.12.25
DRAWING NO: GC-DL38101-T-X-X-X-XX		SCALE: N/A	PAGE: 2/2
		UNITS: mm	REV.: A

REV.	REVISION DESCRIPTION	DATE	APPD



NORES:

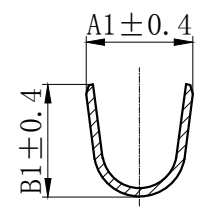
1. Rated voltage: 250V AC/DC
2. Rated current: 15A AC/DC (Max)
3. Contact resistance: $\leq 10 \text{ m}\Omega$
4. Insulation resistance: $\geq 1000 \text{ m}\Omega$
5. Withstand voltage: 1500V AC/minute
6. Ambient temperature: $-40^\circ\text{C} \sim 105^\circ\text{C}$
7. Materials: Phosphor bronze
8. Matched RoHS criteria
9. Finish: Gold plated over Ni

ORDERING INFORMATION

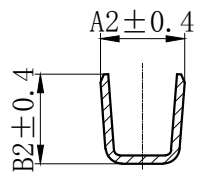
DLXXXX - XX - X - X - X - XX
 1 2 3 4 5 6

1. PART NO.
2. TERMINAL CODE
3. MATERIAL TYPE: 1: PHOSPHOR BRONZE 2: BRASS 3: IRON
4: STAINLESS STEEL 5: OTHER
4. TECHNICS: 0: UNPLATED 1: FIRST PLATING 2: POST PLATING
3: OTHER
5. FINISH: 1: TIN-PLATED 2: MATTE PLATED 3: NICKEL PLATED
4: PICKLING 5: SILVER PLATED 6: GOLD PLATED
7: GALVANIZED 8: OTHER
6. SERIAL NUMBER: 00.01.02.....

TYPE	Dimension mm				适用线规
	A1	B1	A2	B2	AWG#
DL3810-RT-D	3.7	3.8	2.3	2.3	24-20
DL3810-RT	3.8	4.0	3.0	3.2	20-16
DL3810-RT-G	4.3	4.3	3.2	3.2	16-14



SECTION A-A



SECTION B-B

GENERAL TOLERANCES (UNLESS SPECIFIED)		ZHE JIANG DELI CONNECTORS CO., LTD	
.X: ± 0.25	X°: ± 3.0°	PRODUCT NAME:	TITLE:
.XX: ± 0.15	.X°: ± 2.0°	DL38101 (DL3810)-RT	3.81mm Pitch Wire To Wire Crimp Terminal
.XXX: ± 0.01	.XX°: ± 1.0°	DR: Chen Quan Long	DATE: .21.12.25
FINISH:		CHKD: Wu Hui	DATE: .21.12.25
DRAWING NO:	GC-DL38101-RT-X-X-X-XX	APPD: Ren An De	DATE: .21.12.25
		PART NO: DL38101-RT-X-X-X-XX	
		SCALE: N/A	PAGE: 1/1
		UNITS: mm	REV.: A

X-ON Electronics

Largest Supplier of Electrical and Electronic Components

Click to view similar products for [Headers & Wire Housings](#) category:

Click to view products by [DLL](#) manufacturer:

Other Similar products are found below :

[0015917161](#) [0022155065](#) [57102-F02-18ULF](#) [58102-G61-06LF](#) [582553-1](#) [01.001.5753.1](#) [0050291907](#) [02.125.8002.8](#) [609-3404](#) [61062-3](#)
[CSU011177004](#) [622-0430](#) [622-3653LF](#) [63453-116](#) [636-1030](#) [636-1427](#) [636-3427](#) [636-4007](#) [641938-9](#) [65495-038](#) [65692-001LF](#) [65781-018](#)
[65781-047](#) [65817-010LF](#) [65817-015LF](#) [67095-007LF](#) [67601157](#) [68631-112](#) [68645-018](#) [699319-000](#) [70.362.1628.0](#) [70-4210](#) [70-4226B](#) [70-](#)
[4853B](#) [71.350.2428.0](#) [733-134](#) [733-162](#) [760-3052](#) [MHR-64-VUAL](#) [80.063.4001.1](#) [800-90-001-10-001000](#) [801-43-002-10-013000](#)
[801-43-006-10-002000](#) [803-43-024-10-001000](#) [803-93-012-10-001000](#) [8-1437020-4](#) [819-22-004-30-001101](#) [820-22-006-30-001101](#)
[820-22-008-30-001101](#) [821-22-002-10-001101](#)