



### 技术特性/Specifications:

额定电压 Rated voltage: 300V AC, DC  
 额定电流 Rated current: 9A AC, DC  
 接触电阻 Contact resistance: 20mΩ max  
 绝缘电阻 Insulation resistance: 1000MΩ min  
 耐压 Withstand voltage: 1500V AC/minute  
 环境温度 Ambient temperature: -35°C~+105°C  
 适用线规 Wire range: AWG#28~#14

### 标准/Standard:



详细参数请咨询:

- E-mail: manager@zjdll.com
- E-mail: technical-support@zjdll.com
- WeChat: 13867778918

## PC电路板布局和组件布局 PC board layout and Assembly layout

### □ Assembly layout (装配布局)



上图为连接器安装侧观察图

Notes: The above figure is the figure viewed from the connector mounting side.

DL42002-T (DLL-5556-T)



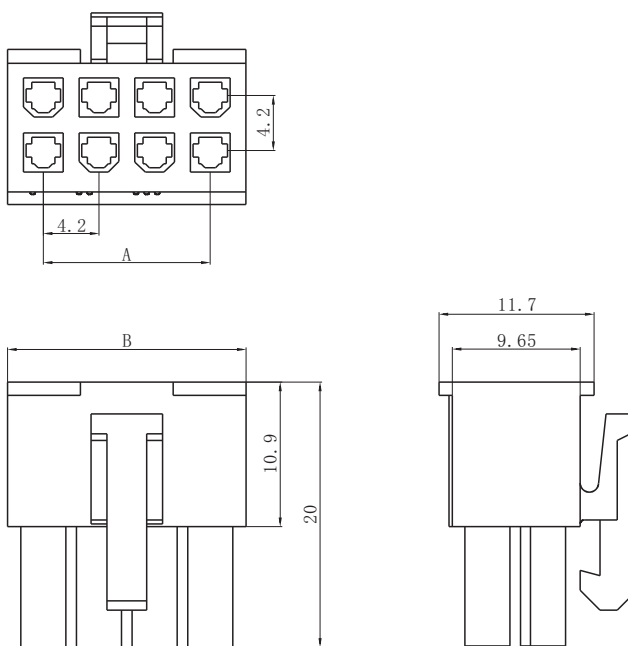
DL42002-RT (DLL-5558-RT)



| Model No. (型号)                           | Applicable wire (适用线规) |       |                          | Material (材料)         | Plating (电镀)     | Qty/reel (数量/盘) |
|--|------------------------|-------|--------------------------|-----------------------|------------------|-----------------|
|  | mm <sup>2</sup>        | AWG#  | Insulation O.D. (绝缘外径mm) |                       |                  |                 |
| DL42002-T (DLL-5556-T)                   | 0.20~0.82              | 24~18 | φ 1.5~2.1                | Phosphor bronze (磷青铜) | Tin Plated (镀锡)  | 5000            |
| DL42002-T-02 (DLL-5556-T-02)             | 0.08~0.20              | 28~24 | φ 0.9~1.5                | Phosphor bronze (磷青铜) | Tin Plated (镀锡)  | 6500            |
| DL42002-T-03 (DLL-5556-T-03)             | 0.52~1.30              | 20~16 | φ 1.8~2.7                | Phosphor bronze (磷青铜) | Tin Plated (镀锡)  | 3500            |
| DL42002-T-04 (DLL-5556-T-04)             | 0.82~2.08              | 18~14 | φ 2.1~3.4                | Phosphor bronze (磷青铜) | Tin Plated (镀锡)  | 3500            |
| DL42002-T-GOLD (DLL-5556-T-GOLD)         | 0.20~0.82              | 24~18 | φ 1.5~2.1                | Phosphor bronze (磷青铜) | Gold Plated (镀金) | 5000            |
| DL42002-T-03-GOLD (DLL-5556-T-03-GOLD)   | 0.52~1.30              | 20~16 | φ 1.8~2.7                | Phosphor bronze (磷青铜) | Gold Plated (镀金) | 3500            |
| DL42002-RT (DLL-5558-RT)                 | 0.08~0.20              | 28~24 | φ 0.9~1.5                | Phosphor bronze (磷青铜) | Tin Plated (镀锡)  | 5000            |
| DL42002-RT-01 (DLL-5558-RT-01)           | 0.08~0.82              | 28~18 | φ 0.9~2.1                | Phosphor bronze (磷青铜) | Tin Plated (镀锡)  | 5000            |
| DL42002-RT-GOLD (DLL-5558-RT-GOLD)       | 0.08~0.20              | 28~24 | φ 0.9~1.5                | Phosphor bronze (磷青铜) | Gold Plated (镀金) | 5000            |
| DL42002-RT-01-GOLD (DLL-5558-RT-01-GOLD) | 0.08~0.82              | 28~18 | φ 0.9~2.1                | Phosphor bronze (磷青铜) | Gold Plated (镀金) | 5000            |

符合RoHS标准  
RoHS compliance

DL42002-Y (DLL-5557-Y)



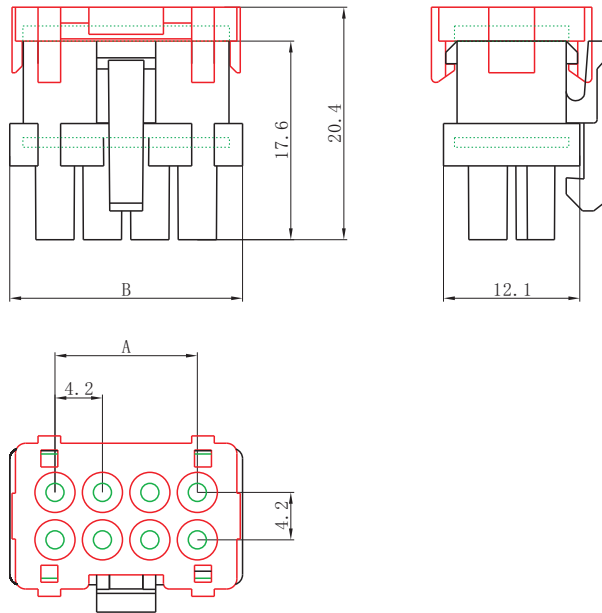
| Circuits (电路) | Product name (产品名称) |                 | Dimensions (尺寸mm) |       |
|---------------|---------------------|-----------------|-------------------|-------|
|               |                     |                 | A                 | B     |
| 2X1           | DLL-5557-2Y         | DLL-5557-2Y-V0  | /                 | 5.40  |
| 2X2           | DLL-5557-4Y         | DLL-5557-4Y-V0  | 4.20              | 9.60  |
| 2X3           | DLL-5557-6Y         | DLL-5557-6Y-V0  | 8.40              | 13.80 |
| 2X4           | DLL-5557-8Y         | DLL-5557-8Y-V0  | 12.60             | 18.00 |
| 2X5           | DLL-5557-10Y        | DLL-5557-10Y-V0 | 16.80             | 22.20 |
| 2X6           | DLL-5557-12Y        | DLL-5557-12Y-V0 | 21.00             | 26.40 |
| 2X7           | DLL-5557-14Y        | DLL-5557-14Y-V0 | 25.20             | 30.60 |
| 2X8           | DLL-5557-16Y        | DLL-5557-16Y-V0 | 29.40             | 34.80 |
| 2X9           | DLL-5557-18Y        | DLL-5557-18Y-V0 | 33.60             | 39.00 |
| 2X10          | DLL-5557-20Y        | DLL-5557-20Y-V0 | 37.80             | 43.20 |
| 2X11          | DLL-5557-22Y        | DLL-5557-22Y-V0 | 42.00             | 47.40 |
| 2X12          | DLL-5557-24Y        | DLL-5557-24Y-V0 | 46.20             | 51.60 |
| 2X13          | DLL-5557-26Y        | DLL-5557-26Y-V0 | 50.40             | 55.80 |
| 2X14          | DLL-5557-28Y        | DLL-5557-28Y-V0 | 54.60             | 60.00 |
| 2X15          | DLL-5557-30Y        | DLL-5557-30Y-V0 | 58.80             | 64.20 |

Material (材料)

Housing (胶壳): Nylon (尼龙) UL94V-0 (2)

符合RoHS标准  
RoHS compliance

DL42012-Y-FS (DLL-5557-Y-FS)



| Circuits<br>(电路) | Product name<br>(产品名称) | Dimensions (尺寸mm) |       |
|------------------|------------------------|-------------------|-------|
|                  |                        | A                 | B     |
| 2X1              | DLL-5557-2Y-FS         | /                 | 8.00  |
| 2X2              | DLL-5557-4Y-FS         | 4.20              | 12.20 |
| 2X3              | DLL-5557-6Y-FS         | 8.40              | 16.40 |
| 2X4              | DLL-5557-8Y-FS         | 12.60             | 20.60 |
| 2X5              | DLL-5557-10Y-FS        | 16.80             | 24.80 |
| 2X6              | DLL-5557-12Y-FS        | 21.00             | 29.00 |
| 2X7              | DLL-5557-14Y-FS        | 25.20             | 33.20 |
| 2X8              | DLL-5557-16Y-FS        | 29.40             | 37.40 |
| 2X9              | DLL-5557-18Y-FS        | 33.60             | 41.60 |
| 2X10             | DLL-5557-20Y-FS        | 37.80             | 45.80 |
| 2X11             | DLL-5557-22Y-FS        | 42.00             | 50.00 |
| 2X12             | DLL-5557-24Y-FS        | 46.20             | 54.20 |
| 2X13             | DLL-5557-26Y-FS        | 50.40             | 58.40 |
| 2X14             | DLL-5557-28Y-FS        | 54.60             | 62.60 |
| 2X15             | DLL-5557-30Y-FS        | 58.80             | 66.80 |

Material (材料)

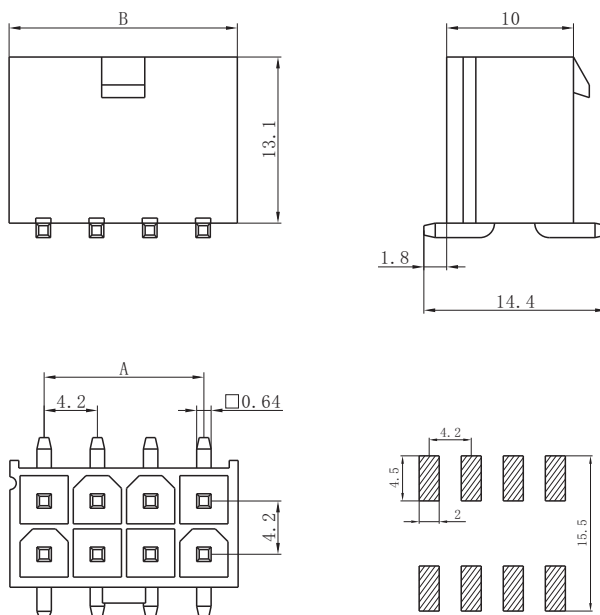
Housing (胶壳): Nylon (尼龙) UL94V-0

Lock (锁扣): Nylon (尼龙) UL94V-0 (2)

Waterproof pad (防水垫): Silicon rubber (硅橡胶)

符合RoHS标准  
RoHS compliance

DL42004-ABZ (DLL-5569-ABZ)



| Circuits<br>(电路) | Product name<br>(产品名称) | Dimensions (尺寸mm) |       |
|------------------|------------------------|-------------------|-------|
|                  |                        | A                 | B     |
| 2X2              | DLL-5569-4ABZ          | 4.20              | 9.60  |
| 2X3              | DLL-5569-6ABZ          | 8.40              | 13.80 |
| 2X4              | DLL-5569-8ABZ          | 12.60             | 18.00 |
| 2X5              | DLL-5569-10ABZ         | 16.80             | 22.20 |
| 2X6              | DLL-5569-12ABZ         | 21.00             | 26.40 |
| 2X7              | DLL-5569-14ABZ         | 25.20             | 30.60 |
| 2X8              | DLL-5569-16ABZ         | 29.40             | 34.80 |
| 2X9              | DLL-5569-18ABZ         | 33.60             | 39.00 |
| 2X10             | DLL-5569-20ABZ         | 37.80             | 43.20 |
| 2X11             | DLL-5569-22ABZ         | 42.00             | 47.40 |
| 2X12             | DLL-5569-24ABZ         | 46.20             | 51.60 |
| 2X13             | DLL-5569-26ABZ         | 50.40             | 55.80 |
| 2X14             | DLL-5569-28ABZ         | 54.60             | 60.00 |
| 2X15             | DLL-5569-30ABZ         | 58.80             | 64.20 |

Material (材料)

Housing (胶壳): LCP UL94V-0

Wafer (接触件): Brass (黄铜) / Tin plated (镀锡)

符合RoHS标准  
RoHS compliance

DL42004-A (DLL-5569-A)



| Circuits<br>(电路) | Product name<br>(产品名称) |                   | Dimensions (尺寸mm) |       |
|------------------|------------------------|-------------------|-------------------|-------|
|                  |                        |                   | A                 | B     |
| 2X1              | DLL-5569-2A            | DLL-5569-2A-GOLD  | /                 | 5.40  |
| 2X2              | DLL-5569-4A            | DLL-5569-4A-GOLD  | 4.20              | 9.60  |
| 2X3              | DLL-5569-6A            | DLL-5569-6A-GOLD  | 8.40              | 13.80 |
| 2X4              | DLL-5569-8A            | DLL-5569-8A-GOLD  | 12.60             | 18.00 |
| 2X5              | DLL-5569-10A           | DLL-5569-10A-GOLD | 16.80             | 22.20 |
| 2X6              | DLL-5569-12A           | DLL-5569-12A-GOLD | 21.00             | 26.40 |
| 2X7              | DLL-5569-14A           | DLL-5569-14A-GOLD | 25.20             | 30.60 |
| 2X8              | DLL-5569-16A           | DLL-5569-16A-GOLD | 29.40             | 34.80 |
| 2X9              | DLL-5569-18A           | DLL-5569-18A-GOLD | 33.60             | 39.00 |
| 2X10             | DLL-5569-20A           | DLL-5569-20A-GOLD | 37.80             | 43.20 |
| 2X11             | DLL-5569-22A           | DLL-5569-22A-GOLD | 42.00             | 47.40 |
| 2X12             | DLL-5569-24A           | DLL-5569-24A-GOLD | 46.20             | 51.60 |
| 2X13             | DLL-5569-26A           | DLL-5569-26A-GOLD | 50.40             | 55.80 |
| 2X14             | DLL-5569-28A           | DLL-5569-28A-GOLD | 54.60             | 60.00 |
| 2X15             | DLL-5569-30A           | DLL-5569-30A-GOLD | 58.80             | 64.20 |

Material (材料)

Housing (胶壳): Nylon (尼龙) UL94V-0 (2)

Wafer (接触件): Brass (黄铜) / Tin plated (镀锡) / Gold plated (镀金)

符合RoHS标准  
RoHS compliance

DL42004-AW (DLL-5569-AW)



| Circuits<br>(电路) | Product name<br>(产品名称) |                    | Dimensions (尺寸mm) |       |
|------------------|------------------------|--------------------|-------------------|-------|
|                  |                        |                    | A                 | B     |
| 2X1              | DLL-5569-2AW           | DLL-5569-2AW-GOLD  | /                 | 5.40  |
| 2X2              | DLL-5569-4AW           | DLL-5569-4AW-GOLD  | 4.20              | 9.60  |
| 2X3              | DLL-5569-6AW           | DLL-5569-6AW-GOLD  | 8.40              | 13.80 |
| 2X4              | DLL-5569-8AW           | DLL-5569-8AW-GOLD  | 12.60             | 18.00 |
| 2X5              | DLL-5569-10AW          | DLL-5569-10AW-GOLD | 16.80             | 22.20 |
| 2X6              | DLL-5569-12AW          | DLL-5569-12AW-GOLD | 21.00             | 26.40 |
| 2X7              | DLL-5569-14AW          | DLL-5569-14AW-GOLD | 25.20             | 30.60 |
| 2X8              | DLL-5569-16AW          | DLL-5569-16AW-GOLD | 29.40             | 34.80 |
| 2X9              | DLL-5569-18AW          | DLL-5569-18AW-GOLD | 33.60             | 39.00 |
| 2X10             | DLL-5569-20AW          | DLL-5569-20AW-GOLD | 37.80             | 43.20 |
| 2X11             | DLL-5569-22AW          | DLL-5569-22AW-GOLD | 42.00             | 47.40 |
| 2X12             | DLL-5569-24AW          | DLL-5569-24AW-GOLD | 46.20             | 51.60 |
| 2X13             | DLL-5569-26AW          | DLL-5569-26AW-GOLD | 50.40             | 55.80 |
| 2X14             | DLL-5569-28AW          | DLL-5569-28AW-GOLD | 54.60             | 60.00 |
| 2X15             | DLL-5569-30AW          | DLL-5569-30AW-GOLD | 58.80             | 64.20 |

Material (材料)

Housing (胶壳): Nylon (尼龙) UL94V-0 (2)

Wafer (接触件): Brass (黄铜) / Tin plated (镀锡) / Gold plated (镀金)

符合RoHS标准  
RoHS compliance

DL42004-AWS (DLL-5569-AWS)



| Circuits<br>(电路) | Product name<br>(产品名称) | Dimensions (尺寸mm) |       |
|------------------|------------------------|-------------------|-------|
|                  |                        | A                 | B     |
| 2X1              | DLL-5569-2AWS          | /                 | 5.40  |
| 2X2              | DLL-5569-4AWS          | 4.20              | 9.60  |
| 2X3              | DLL-5569-6AWS          | 8.40              | 13.80 |
| 2X4              | DLL-5569-8AWS          | 12.60             | 18.00 |
| 2X5              | DLL-5569-10AWS         | 16.80             | 22.20 |
| 2X6              | DLL-5569-12AWS         | 21.00             | 26.40 |
| 2X7              | DLL-5569-14AWS         | 25.20             | 30.60 |
| 2X8              | DLL-5569-16AWS         | 29.40             | 34.80 |
| 2X9              | DLL-5569-18AWS         | 33.60             | 39.00 |
| 2X10             | DLL-5569-20AWS         | 37.80             | 43.20 |
| 2X11             | DLL-5569-22AWS         | 42.00             | 47.40 |
| 2X12             | DLL-5569-24AWS         | 46.20             | 51.60 |
| 2X13             | DLL-5569-26AWS         | 50.40             | 55.80 |
| 2X14             | DLL-5569-28AWS         | 54.60             | 60.00 |
| 2X15             | DLL-5569-30AWS         | 58.80             | 64.20 |

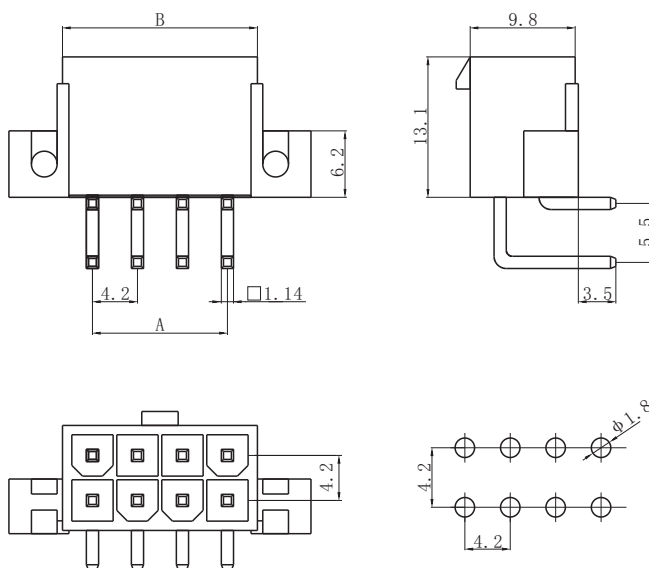
Material (材料)

Housing (胶壳): Nylon (尼龙) UL94V-0 (2)

Wafer (接触件): Brass (黄铜) / Tin plated (镀锡)

符合RoHS标准  
RoHS compliance

DL42005-AW (DLL-5569F-AW)



| Circuits<br>(电路) | Product name<br>(产品名称) | Dimensions (尺寸mm) |       |
|------------------|------------------------|-------------------|-------|
|                  |                        | A                 | B     |
| 2X1              | DLL-5569F-2AW          | /                 | 5.40  |
| 2X2              | DLL-5569F-4AW          | 4.20              | 9.60  |
| 2X3              | DLL-5569F-6AW          | 8.40              | 13.80 |
| 2X4              | DLL-5569F-8AW          | 12.60             | 18.00 |
| 2X5              | DLL-5569F-10AW         | 16.80             | 22.20 |
| 2X6              | DLL-5569F-12AW         | 21.00             | 26.40 |
| 2X7              | DLL-5569F-14AW         | 25.20             | 30.60 |
| 2X8              | DLL-5569F-16AW         | 29.40             | 34.80 |
| 2X9              | DLL-5569F-18AW         | 33.60             | 39.00 |
| 2X10             | DLL-5569F-20AW         | 37.80             | 43.20 |
| 2X11             | DLL-5569F-22AW         | 42.00             | 47.40 |
| 2X12             | DLL-5569F-24AW         | 46.20             | 51.60 |
| 2X13             | DLL-5569F-26AW         | 50.40             | 55.80 |
| 2X14             | DLL-5569F-28AW         | 54.60             | 60.00 |
| 2X15             | DLL-5569F-30AW         | 58.80             | 64.20 |

Material (材料)

Housing (胶壳): Nylon (尼龙) UL94V-0 (2)

Wafer (接触件): Brass (黄铜) / Tin plated (镀锡)

符合RoHS标准  
RoHS compliance

□ DL42003-A (DLL-5566-A)



| Circuits<br>(电路) | Product name<br>(产品名称) | Dimensions (尺寸mm) |       |
|------------------|------------------------|-------------------|-------|
|                  |                        | A                 | B     |
| 2X1              | DLL-5566-2A            | /                 | 5.40  |
| 2X2              | DLL-5566-4A            | 4.20              | 9.60  |
| 2X3              | DLL-5566-6A            | 8.40              | 13.80 |
| 2X4              | DLL-5566-8A            | 12.60             | 18.00 |
| 2X5              | DLL-5566-10A           | 16.80             | 22.20 |
| 2X6              | DLL-5566-12A           | 21.00             | 26.40 |
| 2X7              | DLL-5566-14A           | 25.20             | 30.60 |
| 2X8              | DLL-5566-16A           | 29.40             | 34.80 |
| 2X9              | DLL-5566-18A           | 33.60             | 39.00 |
| 2X10             | DLL-5566-20A           | 37.80             | 43.20 |
| 2X11             | DLL-5566-22A           | 42.00             | 47.40 |
| 2X12             | DLL-5566-24A           | 46.20             | 51.60 |
| 2X13             | DLL-5566-26A           | 50.40             | 55.80 |
| 2X14             | DLL-5566-28A           | 54.60             | 60.00 |
| 2X15             | DLL-5566-30A           | 58.80             | 64.20 |

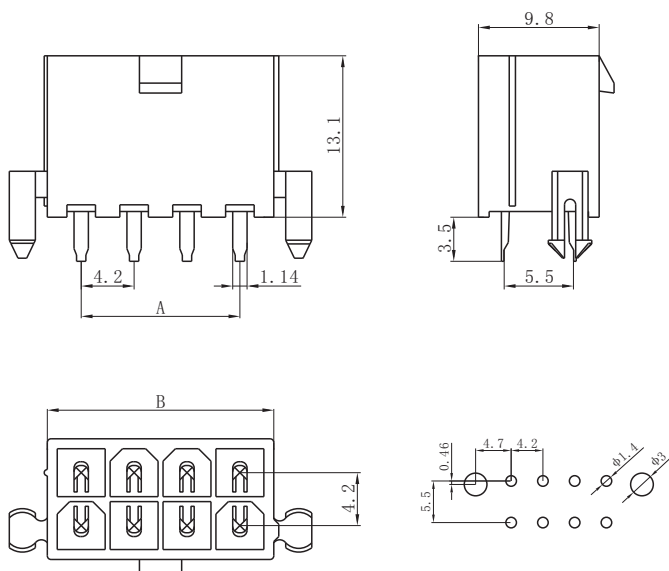
Material (材料)

Housing (胶壳): Nylon (尼龙) UL94V-0 (2)

Wafer (接触件): Phosphor bronze (磷青铜) / Tin plated (镀锡)

符合RoHS标准  
RoHS compliance

□ DL42003-AS (DLL-5566-AS)



| Circuits<br>(电路) | Product name<br>(产品名称) | Dimensions (尺寸mm) |       |
|------------------|------------------------|-------------------|-------|
|                  |                        | A                 | B     |
| 2X1              | DLL-5566-2AS           | /                 | 5.40  |
| 2X2              | DLL-5566-4AS           | 4.20              | 9.60  |
| 2X3              | DLL-5566-6AS           | 8.40              | 13.80 |
| 2X4              | DLL-5566-8AS           | 12.60             | 18.00 |
| 2X5              | DLL-5566-10AS          | 16.80             | 22.20 |
| 2X6              | DLL-5566-12AS          | 21.00             | 26.40 |
| 2X7              | DLL-5566-14AS          | 25.20             | 30.60 |
| 2X8              | DLL-5566-16AS          | 29.40             | 34.80 |
| 2X9              | DLL-5566-18AS          | 33.60             | 39.00 |
| 2X10             | DLL-5566-20AS          | 37.80             | 43.20 |
| 2X11             | DLL-5566-22AS          | 42.00             | 47.40 |
| 2X12             | DLL-5566-24AS          | 46.20             | 51.60 |
| 2X13             | DLL-5566-26AS          | 50.40             | 55.80 |
| 2X14             | DLL-5566-28AS          | 54.60             | 60.00 |
| 2X15             | DLL-5566-30AS          | 58.80             | 64.20 |

Material (材料)

Housing (胶壳): Nylon (尼龙) UL94V-0 (2)

Wafer (接触件): Phosphor bronze (磷青铜) / Tin plated (镀锡)

符合RoHS标准  
RoHS compliance

□ DL42002-R (DLL-5559-R)



| Circuits<br>(电路) | Product name<br>(产品名称) |                 | Dimensions (尺寸mm) |       |
|------------------|------------------------|-----------------|-------------------|-------|
|                  |                        |                 | A                 | B     |
| 2X1              | DLL-5559-2R            | DLL-5559-2R-V0  | /                 | 5.60  |
| 2X2              | DLL-5559-4R            | DLL-5559-4R-V0  | 4.20              | 9.80  |
| 2X3              | DLL-5559-6R            | DLL-5559-6R-V0  | 8.40              | 14.00 |
| 2X4              | DLL-5559-8R            | DLL-5559-8R-V0  | 12.60             | 18.20 |
| 2X5              | DLL-5559-10R           | DLL-5559-10R-V0 | 16.80             | 22.40 |
| 2X6              | DLL-5559-12R           | DLL-5559-12R-V0 | 21.00             | 26.60 |
| 2X7              | DLL-5559-14R           | DLL-5559-14R-V0 | 25.20             | 30.80 |
| 2X8              | DLL-5559-16R           | DLL-5559-16R-V0 | 29.40             | 35.00 |
| 2X9              | DLL-5559-18R           | DLL-5559-18R-V0 | 33.60             | 39.20 |
| 2X10             | DLL-5559-20R           | DLL-5559-20R-V0 | 37.80             | 43.40 |
| 2X11             | DLL-5559-22R           | DLL-5559-22R-V0 | 42.00             | 47.60 |
| 2X12             | DLL-5559-24R           | DLL-5559-24R-V0 | 46.20             | 51.80 |
| 2X13             | DLL-5559-26R           | DLL-5559-26R-V0 | 50.40             | 56.00 |
| 2X14             | DLL-5559-28R           | DLL-5559-28R-V0 | 54.60             | 60.20 |
| 2X15             | DLL-5559-30R           | DLL-5559-30R-V0 | 58.80             | 64.40 |

Material (材料)

Housing (胶壳): Nylon (尼龙) UL94V-0 (2)

符合RoHS标准  
RoHS compliance

□ DL42002-RF (DLL-5559-RF)



| Circuits<br>(电路) | Product name<br>(产品名称) |  | Dimensions (尺寸mm) |       |
|------------------|------------------------|--|-------------------|-------|
|                  |                        |  | A                 | B     |
| 2X1              | DLL-5559-2RF           |  | /                 | 5.60  |
| 2X2              | DLL-5559-4RF           |  | 4.20              | 9.80  |
| 2X3              | DLL-5559-6RF           |  | 8.40              | 14.00 |
| 2X4              | DLL-5559-8RF           |  | 12.60             | 18.20 |
| 2X5              | DLL-5559-10RF          |  | 16.80             | 22.40 |
| 2X6              | DLL-5559-12RF          |  | 21.00             | 26.60 |
| 2X7              | DLL-5559-14RF          |  | 25.20             | 30.80 |
| 2X8              | DLL-5559-16RF          |  | 29.40             | 35.00 |
| 2X9              | DLL-5559-18RF          |  | 33.60             | 39.20 |
| 2X10             | DLL-5559-20RF          |  | 37.80             | 43.40 |
| 2X11             | DLL-5559-22RF          |  | 42.00             | 47.60 |
| 2X12             | DLL-5559-24RF          |  | 46.20             | 51.80 |
| 2X13             | DLL-5559-26RF          |  | 50.40             | 56.00 |
| 2X14             | DLL-5559-28RF          |  | 54.60             | 60.20 |
| 2X15             | DLL-5559-30RF          |  | 58.80             | 64.40 |

Material (材料)

Housing (胶壳): Nylon (尼龙) UL94V-0 (2)

符合RoHS标准  
RoHS compliance

□ DL42002-RFF (DLL-5559-RFF)



| Circuits<br>(电路) | Product name<br>(产品名称) | Dimensions (尺寸mm) |       |
|------------------|------------------------|-------------------|-------|
|                  |                        | A                 | B     |
| 2X1              | DLL-5559-2RFF          | /                 | 5.60  |
| 2X2              | DLL-5559-4RFF          | 4.20              | 9.80  |
| 2X3              | DLL-5559-6RFF          | 8.40              | 14.00 |
| 2X4              | DLL-5559-8RFF          | 12.60             | 18.20 |
| 2X5              | DLL-5559-10RFF         | 16.80             | 22.40 |
| 2X6              | DLL-5559-12RFF         | 21.00             | 26.60 |
| 2X7              | DLL-5559-14RFF         | 25.20             | 30.80 |
| 2X8              | DLL-5559-16RFF         | 29.40             | 35.00 |
| 2X9              | DLL-5559-18RFF         | 33.60             | 39.20 |
| 2X10             | DLL-5559-20RFF         | 37.80             | 43.40 |
| 2X11             | DLL-5559-22RFF         | 42.00             | 47.60 |
| 2X12             | DLL-5559-24RFF         | 46.20             | 51.80 |
| 2X13             | DLL-5559-26RFF         | 50.40             | 56.00 |
| 2X14             | DLL-5559-28RFF         | 54.60             | 60.20 |
| 2X15             | DLL-5559-30RFF         | 58.80             | 64.40 |

Material (材料)

Housing (胶壳): Nylon (尼龙) UL94V-0 (2)

符合RoHS标准  
RoHS compliance



## X-ON Electronics

Largest Supplier of Electrical and Electronic Components

*Click to view similar products for [Headers & Wire Housings](#) category:*

*Click to view products by [DLL](#) manufacturer:*

Other Similar products are found below :

[0015917161](#) [0022155065](#) [57102-F02-18ULF](#) [58102-G61-06LF](#) [582553-1](#) [01.001.5753.1](#) [0050291907](#) [02.125.8002.8](#) [609-3404](#) [61062-3](#)  
[CSU011177004](#) [622-0430](#) [622-3653LF](#) [63453-116](#) [636-1030](#) [636-1427](#) [636-3427](#) [636-4007](#) [641938-9](#) [65495-038](#) [65692-001LF](#) [65781-018](#)  
[65781-047](#) [65817-010LF](#) [65817-015LF](#) [67095-007LF](#) [67601157](#) [68631-112](#) [68645-018](#) [699319-000](#) [70.362.1628.0](#) [70-4210](#) [70-4226B](#) [70-](#)  
[4853B](#) [71.350.2428.0](#) [733-134](#) [733-162](#) [760-3052](#) [MHR-64-VUAL](#) [80.063.4001.1](#) [800-90-001-10-001000](#) [801-43-002-10-013000](#)  
[801-43-006-10-002000](#) [803-43-024-10-001000](#) [803-93-012-10-001000](#) [8-1437020-4](#) [819-22-004-30-001101](#) [820-22-006-30-001101](#)  
[820-22-008-30-001101](#) [821-22-002-10-001101](#)