

技术特性/Specifications:

额定电压 Rated voltage: 300V AC, DC
 额定电流 Rated current: 9A AC, DC
 接触电阻 Contact resistance: 20mΩ max
 绝缘电阻 Insulation resistance: 1000MΩ min
 耐压 Withstand voltage: 1500V AC/minute
 环境温度 Ambient temperature: -35°C~+105°C
 适用线规 Wire range: AWG#28~#14

标准/Standard:

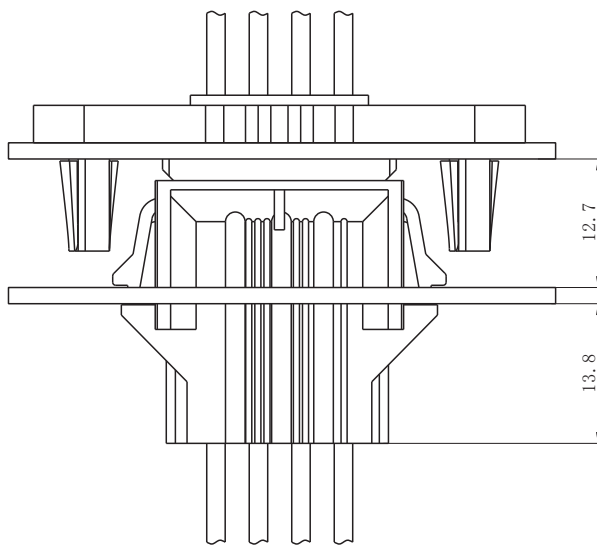


详细参数请咨询:

- E-mail: manager@zjdll.com
- E-mail: technical-support@zjdll.com
- WeChat: 13867778918

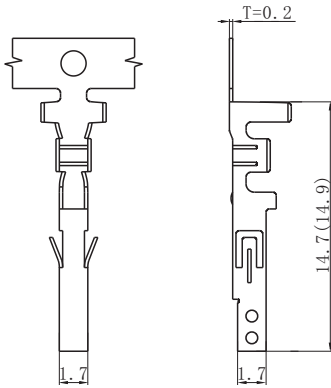
PC电路板布局和组件布局 PC board layout and Assembly layout

▣ Assembly layout (装配布局)



上图为连接器安装侧观察图
 Notes: The above figure is the figure viewed from the connector mounting side.

□ DL42002-T (DLL-5556-T)



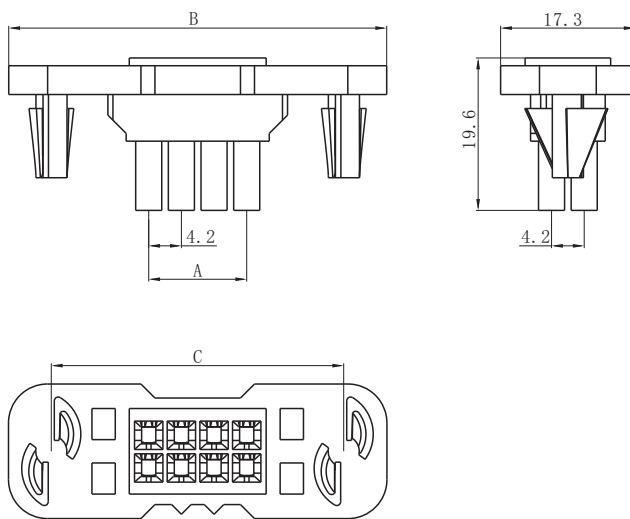
□ DL42002-RT (DLL-5558-RT)



Model No. (型号)	Applicable wire (适用线规)			Material (材料)	Plating (电镀)	Qty/reel (数量/盘)
	mm ²	AWG#	Insulation O.D. (绝缘外径mm)			
DL42002-T (DLL-5556-T)	0.20~0.82	24~18	φ 1.5~2.1	Phosphor bronze (磷青铜)	Tin Plated (镀锡)	5000
DL42002-T-02 (DLL-5556-T-02)	0.08~0.20	28~24	φ 0.9~1.5	Phosphor bronze (磷青铜)	Tin Plated (镀锡)	6500
DL42002-T-03 (DLL-5556-T-03)	0.52~1.30	20~16	φ 1.8~2.7	Phosphor bronze (磷青铜)	Tin Plated (镀锡)	3500
DL42002-T-04 (DLL-5556-T-04)	0.82~2.08	18~14	φ 2.1~3.4	Phosphor bronze (磷青铜)	Tin Plated (镀锡)	3500
DL42002-T-GOLD (DLL-5556-T-GOLD)	0.20~0.82	24~18	φ 1.5~2.1	Phosphor bronze (磷青铜)	Gold Plated (镀金)	5000
DL42002-T-03-GOLD (DLL-5556-T-03-GOLD)	0.52~1.30	20~16	φ 1.8~2.7	Phosphor bronze (磷青铜)	Gold Plated (镀金)	3500
DL42002-RT (DLL-5558-RT)	0.08~0.20	28~24	φ 0.9~1.5	Phosphor bronze (磷青铜)	Tin Plated (镀锡)	5000
DL42002-RT-01 (DLL-5558-RT-01)	0.08~0.82	28~18	φ 0.9~2.1	Phosphor bronze (磷青铜)	Tin Plated (镀锡)	5000
DL42002-RT-GOLD (DLL-5558-RT-GOLD)	0.08~0.20	28~24	φ 0.9~1.5	Phosphor bronze (磷青铜)	Gold Plated (镀金)	5000
DL42002-RT-01-GOLD (DLL-5558-RT-01-GOLD)	0.08~0.82	28~18	φ 0.9~2.1	Phosphor bronze (磷青铜)	Gold Plated (镀金)	5000

符合RoHS标准
RoHS compliance

□ DL42013-Y-LS (DLL-5557-Y-LS)



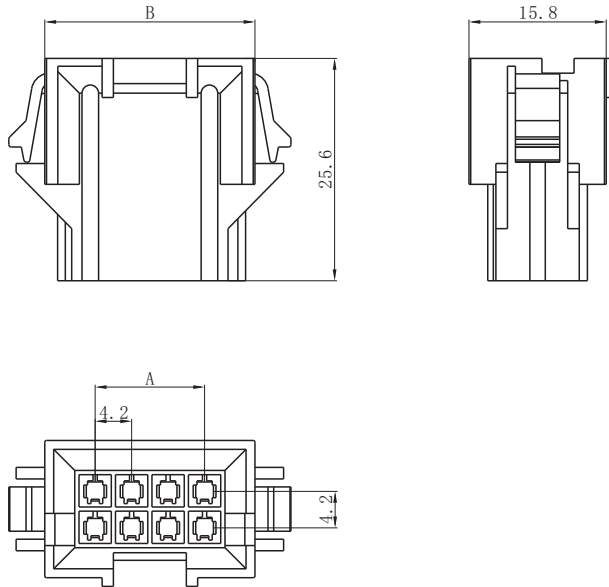
Circuits (电路)	Product name (产品名称)	Dimensions (尺寸mm)		
		A	B	C
2X1	DLL-5557-2Y-LS	/	36.00	25.00
2X2	DLL-5557-4Y-LS	4.20	40.20	29.20
2X3	DLL-5557-6Y-LS	8.40	44.40	33.40
2X4	DLL-5557-8Y-LS	12.60	48.60	37.60
2X5	DLL-5557-10Y-LS	16.80	52.80	41.80
2X6	DLL-5557-12Y-LS	21.00	57.00	46.00
2X7	DLL-5557-14Y-LS	25.20	61.20	50.20
2X8	DLL-5557-16Y-LS	29.40	65.40	54.40
2X9	DLL-5557-18Y-LS	33.60	69.60	58.60
2X10	DLL-5557-20Y-LS	37.80	73.80	62.80
2X11	DLL-5557-22Y-LS	42.00	78.00	67.00
2X12	DLL-5557-24Y-LS	46.20	82.20	71.20
2X13	DLL-5557-26Y-LS	50.40	86.40	75.40
2X14	DLL-5557-28Y-LS	54.60	90.60	79.60
2X15	DLL-5557-30Y-LS	58.80	94.80	83.80

Material (材料)

Housing (胶壳): Nylon (尼龙) UL94V-0 (2)

符合RoHS标准
RoHS compliance

□ DL42013-R-LS (DLL-5559-R-LS)



Circuits (电路)	Product name (产品名称)	Dimensions (尺寸mm)	
		A	B
2X1	DLL-5559-2R-LS	/	11.60
2X2	DLL-5559-4R-LS	4.20	15.80
2X3	DLL-5559-6R-LS	8.40	20.00
2X4	DLL-5559-8R-LS	12.60	24.20
2X5	DLL-5559-10R-LS	16.80	28.40
2X6	DLL-5559-12R-LS	21.00	32.60
2X7	DLL-5559-14R-LS	25.20	36.80
2X8	DLL-5559-16R-LS	29.40	41.00
2X9	DLL-5559-18R-LS	33.60	45.20
2X10	DLL-5559-20R-LS	37.80	49.40
2X11	DLL-5559-22R-LS	42.00	53.60
2X12	DLL-5559-24R-LS	46.20	57.80
2X13	DLL-5559-26R-LS	50.40	62.00
2X14	DLL-5559-28R-LS	54.60	66.20
2X15	DLL-5559-30R-LS	58.80	70.40

Material (材料)

Housing (胶壳): Nylon (尼龙) UL94V-0 (2)

符合RoHS标准
RoHS compliance

X-ON Electronics

Largest Supplier of Electrical and Electronic Components

Click to view similar products for [Headers & Wire Housings](#) category:

Click to view products by [DLL](#) manufacturer:

Other Similar products are found below :

[0015917161](#) [0022155065](#) [57102-F02-18ULF](#) [58102-G61-06LF](#) [582553-1](#) [01.001.5753.1](#) [0050291907](#) [02.125.8002.8](#) [609-3404](#) [61062-3](#)
[CSU011177004](#) [622-0430](#) [622-3653LF](#) [63453-116](#) [636-1030](#) [636-1427](#) [636-3427](#) [636-4007](#) [641938-9](#) [65495-038](#) [65692-001LF](#) [65781-018](#)
[65781-047](#) [65817-010LF](#) [65817-015LF](#) [67095-007LF](#) [67601157](#) [68631-112](#) [699319-000](#) [70.362.1628.0](#) [70-4210](#) [70-4226B](#) [70-4853B](#) [707-](#)
[5028](#) [71.350.2428.0](#) [733-134](#) [733-162](#) [760-3052](#) [MHR-64-VUAL](#) [80.063.4001.1](#) [800-90-001-10-001000](#) [801-43-002-10-013000](#)
[801-43-006-10-002000](#) [803-43-024-10-001000](#) [803-93-012-10-001000](#) [8-1437020-4](#) [819-22-004-30-001101](#) [820-22-006-30-001101](#)
[820-22-008-30-001101](#) [821-22-002-10-001101](#)