



技术特性/Specifications:

额定电压 Rated voltage: 300V AC, DC
 额定电流 Rated current: 9A AC, DC
 接触电阻 Contact resistance: 20mΩ max
 绝缘电阻 Insulation resistance: 1000MΩ min
 耐压 Withstand voltage: 1500V AC/minute
 环境温度 Ambient temperature: -35°C~+105°C
 适用线规 Wire range: AWG#28~#14

标准/Standard:



详细参数请咨询:

- E-mail: manager@zjdll.com
- E-mail: technical-support@zjdll.com
- WeChat: 13867778918

PC电路板布局和组件布局 PC board layout and Assembly layout

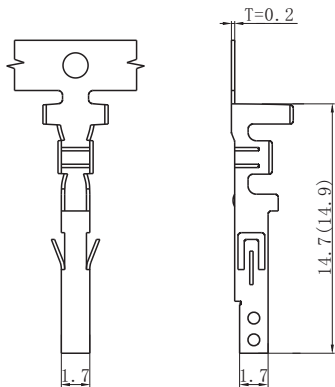
□ Assembly layout (装配布局)



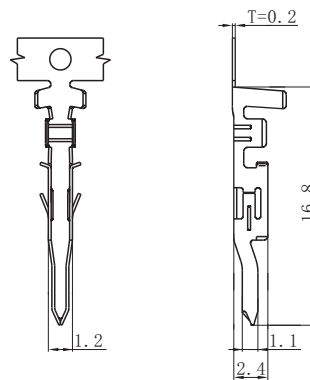
上图为连接器安装侧观察图

Notes: The above figure is the figure viewed from the connector mounting side.

DL42002-T (DLL-5556-T)



DL42002-RT (DLL-5558-RT)



| Model No. (型号) | Applicable wire (适用线规) | | | Material (材料) | Plating (电镀) | Qty/reel (数量/盘) |
|--|------------------------|-------|--------------------------|-----------------------|------------------|-----------------|
| | mm ² | AWG# | Insulation O.D. (绝缘外径mm) | | | |
| DL42002-T (DLL-5556-T) | 0.20~0.82 | 24~18 | φ 1.5~2.1 | Phosphor bronze (磷青铜) | Tin Plated (镀锡) | 5000 |
| DL42002-T-02 (DLL-5556-T-02) | 0.08~0.20 | 28~24 | φ 0.9~1.5 | Phosphor bronze (磷青铜) | Tin Plated (镀锡) | 6500 |
| DL42002-T-03 (DLL-5556-T-03) | 0.52~1.30 | 20~16 | φ 1.8~2.7 | Phosphor bronze (磷青铜) | Tin Plated (镀锡) | 3500 |
| DL42002-T-04 (DLL-5556-T-04) | 0.82~2.08 | 18~14 | φ 2.1~3.4 | Phosphor bronze (磷青铜) | Tin Plated (镀锡) | 3500 |
| DL42002-T-GOLD (DLL-5556-T-GOLD) | 0.20~0.82 | 24~18 | φ 1.5~2.1 | Phosphor bronze (磷青铜) | Gold Plated (镀金) | 5000 |
| DL42002-T-03-GOLD (DLL-5556-T-03-GOLD) | 0.52~1.30 | 20~16 | φ 1.8~2.7 | Phosphor bronze (磷青铜) | Gold Plated (镀金) | 3500 |
| DL42002-RT (DLL-5558-RT) | 0.08~0.20 | 28~24 | φ 0.9~1.5 | Phosphor bronze (磷青铜) | Tin Plated (镀锡) | 5000 |
| DL42002-RT-01 (DLL-5558-RT-01) | 0.08~0.82 | 28~18 | φ 0.9~2.1 | Phosphor bronze (磷青铜) | Tin Plated (镀锡) | 5000 |
| DL42002-RT-GOLD (DLL-5558-RT-GOLD) | 0.08~0.20 | 28~24 | φ 0.9~1.5 | Phosphor bronze (磷青铜) | Gold Plated (镀金) | 5000 |
| DL42002-RT-01-GOLD (DLL-5558-RT-01-GOLD) | 0.08~0.82 | 28~18 | φ 0.9~2.1 | Phosphor bronze (磷青铜) | Gold Plated (镀金) | 5000 |

符合RoHS标准
RoHS compliance

DL42002-Y (DLL-5557-Y)



| Circuits (电路) | Product name (产品名称) | Dimensions (尺寸mm) | |
|---------------|---------------------|-------------------|-------|
| | | A | B |
| 2X1 | DLL-5557-2Y | / | 5.40 |
| 2X2 | DLL-5557-4Y | 4.20 | 9.60 |
| 2X3 | DLL-5557-6Y | 8.40 | 13.80 |
| 2X4 | DLL-5557-8Y | 12.60 | 18.00 |
| 2X5 | DLL-5557-10Y | 16.80 | 22.20 |
| 2X6 | DLL-5557-12Y | 21.00 | 26.40 |
| 2X7 | DLL-5557-14Y | 25.20 | 30.60 |
| 2X8 | DLL-5557-16Y | 29.40 | 34.80 |
| 2X9 | DLL-5557-18Y | 33.60 | 39.00 |
| 2X10 | DLL-5557-20Y | 37.80 | 43.20 |
| 2X11 | DLL-5557-22Y | 42.00 | 47.40 |
| 2X12 | DLL-5557-24Y | 46.20 | 51.60 |
| 2X13 | DLL-5557-26Y | 50.40 | 55.80 |
| 2X14 | DLL-5557-28Y | 54.60 | 60.00 |
| 2X15 | DLL-5557-30Y | 58.80 | 64.20 |

Material (材料)

Housing (胶壳): Nylon (尼龙) UL94V-0 (2)

符合RoHS标准
RoHS compliance

DL42012-Y-FS (DLL-5557-Y-FS)



| Circuits (电路) | Product name (产品名称) | Dimensions (尺寸mm) | |
|------------------|------------------------|-------------------|-------|
| | | A | B |
| 2X1 | DLL-5557-2Y-FS | / | 8.00 |
| 2X2 | DLL-5557-4Y-FS | 4.20 | 12.20 |
| 2X3 | DLL-5557-6Y-FS | 8.40 | 16.40 |
| 2X4 | DLL-5557-8Y-FS | 12.60 | 20.60 |
| 2X5 | DLL-5557-10Y-FS | 16.80 | 24.80 |
| 2X6 | DLL-5557-12Y-FS | 21.00 | 29.00 |
| 2X7 | DLL-5557-14Y-FS | 25.20 | 33.20 |
| 2X8 | DLL-5557-16Y-FS | 29.40 | 37.40 |
| 2X9 | DLL-5557-18Y-FS | 33.60 | 41.60 |
| 2X10 | DLL-5557-20Y-FS | 37.80 | 45.80 |
| 2X11 | DLL-5557-22Y-FS | 42.00 | 50.00 |
| 2X12 | DLL-5557-24Y-FS | 46.20 | 54.20 |
| 2X13 | DLL-5557-26Y-FS | 50.40 | 58.40 |
| 2X14 | DLL-5557-28Y-FS | 54.60 | 62.60 |
| 2X15 | DLL-5557-30Y-FS | 58.80 | 66.80 |

Material (材料)

Housing (胶壳): Nylon (尼龙) UL94V-0

Lock (锁扣): Nylon (尼龙) UL94V-0 (2)

Waterproof pad (防水垫): Silicon rubber (硅橡胶)

符合RoHS标准
RoHS compliance

DL42004-ABZ (DLL-5569-ABZ)



| Circuits (电路) | Product name (产品名称) | Dimensions (尺寸mm) | |
|------------------|------------------------|-------------------|-------|
| | | A | B |
| 2X2 | DLL-5569-4ABZ | 4.20 | 9.60 |
| 2X3 | DLL-5569-6ABZ | 8.40 | 13.80 |
| 2X4 | DLL-5569-8ABZ | 12.60 | 18.00 |
| 2X5 | DLL-5569-10ABZ | 16.80 | 22.20 |
| 2X6 | DLL-5569-12ABZ | 21.00 | 26.40 |
| 2X7 | DLL-5569-14ABZ | 25.20 | 30.60 |
| 2X8 | DLL-5569-16ABZ | 29.40 | 34.80 |
| 2X9 | DLL-5569-18ABZ | 33.60 | 39.00 |
| 2X10 | DLL-5569-20ABZ | 37.80 | 43.20 |
| 2X11 | DLL-5569-22ABZ | 42.00 | 47.40 |
| 2X12 | DLL-5569-24ABZ | 46.20 | 51.60 |
| 2X13 | DLL-5569-26ABZ | 50.40 | 55.80 |
| 2X14 | DLL-5569-28ABZ | 54.60 | 60.00 |
| 2X15 | DLL-5569-30ABZ | 58.80 | 64.20 |

Material (材料)

Housing (胶壳): LCP UL94V-0

Wafer (接触件): Brass (黄铜) / Tin plated (镀锡)

符合RoHS标准
RoHS compliance

DL42004-A (DLL-5569-A)



| Circuits (电路) | Product name (产品名称) | | Dimensions (尺寸)mm | |
|------------------|------------------------|-------------------|-------------------|-------|
| | | | A | B |
| 2X1 | DLL-5569-2A | DLL-5569-2A-GOLD | / | 5.40 |
| 2X2 | DLL-5569-4A | DLL-5569-4A-GOLD | 4.20 | 9.60 |
| 2X3 | DLL-5569-6A | DLL-5569-6A-GOLD | 8.40 | 13.80 |
| 2X4 | DLL-5569-8A | DLL-5569-8A-GOLD | 12.60 | 18.00 |
| 2X5 | DLL-5569-10A | DLL-5569-10A-GOLD | 16.80 | 22.20 |
| 2X6 | DLL-5569-12A | DLL-5569-12A-GOLD | 21.00 | 26.40 |
| 2X7 | DLL-5569-14A | DLL-5569-14A-GOLD | 25.20 | 30.60 |
| 2X8 | DLL-5569-16A | DLL-5569-16A-GOLD | 29.40 | 34.80 |
| 2X9 | DLL-5569-18A | DLL-5569-18A-GOLD | 33.60 | 39.00 |
| 2X10 | DLL-5569-20A | DLL-5569-20A-GOLD | 37.80 | 43.20 |
| 2X11 | DLL-5569-22A | DLL-5569-22A-GOLD | 42.00 | 47.40 |
| 2X12 | DLL-5569-24A | DLL-5569-24A-GOLD | 46.20 | 51.60 |
| 2X13 | DLL-5569-26A | DLL-5569-26A-GOLD | 50.40 | 55.80 |
| 2X14 | DLL-5569-28A | DLL-5569-28A-GOLD | 54.60 | 60.00 |
| 2X15 | DLL-5569-30A | DLL-5569-30A-GOLD | 58.80 | 64.20 |

Material (材料)

Housing (胶壳): Nylon (尼龙) UL94V-0 (2)

Wafer (接触件): Brass (黄铜) / Tin plated (镀锡) / Gold plated (镀金)

符合RoHS标准
RoHS compliance

DL42004-AW (DLL-5569-AW)



| Circuits (电路) | Product name (产品名称) | | Dimensions (尺寸)mm | |
|------------------|------------------------|--------------------|-------------------|-------|
| | | | A | B |
| 2X1 | DLL-5569-2AW | DLL-5569-2AW-GOLD | / | 5.40 |
| 2X2 | DLL-5569-4AW | DLL-5569-4AW-GOLD | 4.20 | 9.60 |
| 2X3 | DLL-5569-6AW | DLL-5569-6AW-GOLD | 8.40 | 13.80 |
| 2X4 | DLL-5569-8AW | DLL-5569-8AW-GOLD | 12.60 | 18.00 |
| 2X5 | DLL-5569-10AW | DLL-5569-10AW-GOLD | 16.80 | 22.20 |
| 2X6 | DLL-5569-12AW | DLL-5569-12AW-GOLD | 21.00 | 26.40 |
| 2X7 | DLL-5569-14AW | DLL-5569-14AW-GOLD | 25.20 | 30.60 |
| 2X8 | DLL-5569-16AW | DLL-5569-16AW-GOLD | 29.40 | 34.80 |
| 2X9 | DLL-5569-18AW | DLL-5569-18AW-GOLD | 33.60 | 39.00 |
| 2X10 | DLL-5569-20AW | DLL-5569-20AW-GOLD | 37.80 | 43.20 |
| 2X11 | DLL-5569-22AW | DLL-5569-22AW-GOLD | 42.00 | 47.40 |
| 2X12 | DLL-5569-24AW | DLL-5569-24AW-GOLD | 46.20 | 51.60 |
| 2X13 | DLL-5569-26AW | DLL-5569-26AW-GOLD | 50.40 | 55.80 |
| 2X14 | DLL-5569-28AW | DLL-5569-28AW-GOLD | 54.60 | 60.00 |
| 2X15 | DLL-5569-30AW | DLL-5569-30AW-GOLD | 58.80 | 64.20 |

Material (材料)

Housing (胶壳): Nylon (尼龙) UL94V-0 (2)

Wafer (接触件): Brass (黄铜) / Tin plated (镀锡) / Gold plated (镀金)

符合RoHS标准
RoHS compliance

DL42004-AWS (DLL-5569-AWS)



| Circuits (电路) | Product name (产品名称) | Dimensions (尺寸mm) | |
|------------------|------------------------|-------------------|-------|
| | | A | B |
| 2X1 | DLL-5569-2AWS | / | 5.40 |
| 2X2 | DLL-5569-4AWS | 4.20 | 9.60 |
| 2X3 | DLL-5569-6AWS | 8.40 | 13.80 |
| 2X4 | DLL-5569-8AWS | 12.60 | 18.00 |
| 2X5 | DLL-5569-10AWS | 16.80 | 22.20 |
| 2X6 | DLL-5569-12AWS | 21.00 | 26.40 |
| 2X7 | DLL-5569-14AWS | 25.20 | 30.60 |
| 2X8 | DLL-5569-16AWS | 29.40 | 34.80 |
| 2X9 | DLL-5569-18AWS | 33.60 | 39.00 |
| 2X10 | DLL-5569-20AWS | 37.80 | 43.20 |
| 2X11 | DLL-5569-22AWS | 42.00 | 47.40 |
| 2X12 | DLL-5569-24AWS | 46.20 | 51.60 |
| 2X13 | DLL-5569-26AWS | 50.40 | 55.80 |
| 2X14 | DLL-5569-28AWS | 54.60 | 60.00 |
| 2X15 | DLL-5569-30AWS | 58.80 | 64.20 |

Material (材料)

Housing (胶壳): Nylon (尼龙) UL94V-0 (2)

Wafer (接触件): Brass (黄铜) / Tin plated (镀锡)

符合RoHS标准
RoHS compliance

DL42005-AW (DLL-5569F-AW)



| Circuits (电路) | Product name (产品名称) | Dimensions (尺寸mm) | |
|------------------|------------------------|-------------------|-------|
| | | A | B |
| 2X1 | DLL-5569F-2AW | / | 5.40 |
| 2X2 | DLL-5569F-4AW | 4.20 | 9.60 |
| 2X3 | DLL-5569F-6AW | 8.40 | 13.80 |
| 2X4 | DLL-5569F-8AW | 12.60 | 18.00 |
| 2X5 | DLL-5569F-10AW | 16.80 | 22.20 |
| 2X6 | DLL-5569F-12AW | 21.00 | 26.40 |
| 2X7 | DLL-5569F-14AW | 25.20 | 30.60 |
| 2X8 | DLL-5569F-16AW | 29.40 | 34.80 |
| 2X9 | DLL-5569F-18AW | 33.60 | 39.00 |
| 2X10 | DLL-5569F-20AW | 37.80 | 43.20 |
| 2X11 | DLL-5569F-22AW | 42.00 | 47.40 |
| 2X12 | DLL-5569F-24AW | 46.20 | 51.60 |
| 2X13 | DLL-5569F-26AW | 50.40 | 55.80 |
| 2X14 | DLL-5569F-28AW | 54.60 | 60.00 |
| 2X15 | DLL-5569F-30AW | 58.80 | 64.20 |

Material (材料)

Housing (胶壳): Nylon (尼龙) UL94V-0 (2)

Wafer (接触件): Brass (黄铜) / Tin plated (镀锡)

符合RoHS标准
RoHS compliance

DL42003-A (DLL-5566-A)



| Circuits (电路) | Product name (产品名称) | Dimensions (尺寸mm) | |
|------------------|------------------------|-------------------|-------|
| | | A | B |
| 2X1 | DLL-5566-2A | / | 5.40 |
| 2X2 | DLL-5566-4A | 4.20 | 9.60 |
| 2X3 | DLL-5566-6A | 8.40 | 13.80 |
| 2X4 | DLL-5566-8A | 12.60 | 18.00 |
| 2X5 | DLL-5566-10A | 16.80 | 22.20 |
| 2X6 | DLL-5566-12A | 21.00 | 26.40 |
| 2X7 | DLL-5566-14A | 25.20 | 30.60 |
| 2X8 | DLL-5566-16A | 29.40 | 34.80 |
| 2X9 | DLL-5566-18A | 33.60 | 39.00 |
| 2X10 | DLL-5566-20A | 37.80 | 43.20 |
| 2X11 | DLL-5566-22A | 42.00 | 47.40 |
| 2X12 | DLL-5566-24A | 46.20 | 51.60 |
| 2X13 | DLL-5566-26A | 50.40 | 55.80 |
| 2X14 | DLL-5566-28A | 54.60 | 60.00 |
| 2X15 | DLL-5566-30A | 58.80 | 64.20 |

Material (材料)

Housing (胶壳): Nylon (尼龙) UL94V-0 (2)

Wafer (接触件): Phosphor bronze (磷青铜) / Tin plated (镀锡)

符合RoHS标准
RoHS compliance

DL42003-AS (DLL-5566-AS)



| Circuits (电路) | Product name (产品名称) | Dimensions (尺寸mm) | |
|------------------|------------------------|-------------------|-------|
| | | A | B |
| 2X1 | DLL-5566-2AS | / | 5.40 |
| 2X2 | DLL-5566-4AS | 4.20 | 9.60 |
| 2X3 | DLL-5566-6AS | 8.40 | 13.80 |
| 2X4 | DLL-5566-8AS | 12.60 | 18.00 |
| 2X5 | DLL-5566-10AS | 16.80 | 22.20 |
| 2X6 | DLL-5566-12AS | 21.00 | 26.40 |
| 2X7 | DLL-5566-14AS | 25.20 | 30.60 |
| 2X8 | DLL-5566-16AS | 29.40 | 34.80 |
| 2X9 | DLL-5566-18AS | 33.60 | 39.00 |
| 2X10 | DLL-5566-20AS | 37.80 | 43.20 |
| 2X11 | DLL-5566-22AS | 42.00 | 47.40 |
| 2X12 | DLL-5566-24AS | 46.20 | 51.60 |
| 2X13 | DLL-5566-26AS | 50.40 | 55.80 |
| 2X14 | DLL-5566-28AS | 54.60 | 60.00 |
| 2X15 | DLL-5566-30AS | 58.80 | 64.20 |

Material (材料)

Housing (胶壳): Nylon (尼龙) UL94V-0 (2)

Wafer (接触件): Phosphor bronze (磷青铜) / Tin plated (镀锡)

符合RoHS标准
RoHS compliance

□ DL42002-R (DLL-5559-R)



| Circuits (电路) | Product name (产品名称) | Dimensions (尺寸mm) | |
|------------------|------------------------|-------------------|-------|
| | | A | B |
| 2X1 | DLL-5559-2R | / | 5.60 |
| 2X2 | DLL-5559-4R | 4.20 | 9.80 |
| 2X3 | DLL-5559-6R | 8.40 | 14.00 |
| 2X4 | DLL-5559-8R | 12.60 | 18.20 |
| 2X5 | DLL-5559-10R | 16.80 | 22.40 |
| 2X6 | DLL-5559-12R | 21.00 | 26.60 |
| 2X7 | DLL-5559-14R | 25.20 | 30.80 |
| 2X8 | DLL-5559-16R | 29.40 | 35.00 |
| 2X9 | DLL-5559-18R | 33.60 | 39.20 |
| 2X10 | DLL-5559-20R | 37.80 | 43.40 |
| 2X11 | DLL-5559-22R | 42.00 | 47.60 |
| 2X12 | DLL-5559-24R | 46.20 | 51.80 |
| 2X13 | DLL-5559-26R | 50.40 | 56.00 |
| 2X14 | DLL-5559-28R | 54.60 | 60.20 |
| 2X15 | DLL-5559-30R | 58.80 | 64.40 |

Material (材料)

Housing (胶壳): Nylon (尼龙) UL94V-0 (2)

符合RoHS标准
RoHS compliance

□ DL42002-RF (DLL-5559-RF)



| Circuits (电路) | Product name (产品名称) | Dimensions (尺寸mm) | |
|------------------|------------------------|-------------------|-------|
| | | A | B |
| 2X1 | DLL-5559-2RF | / | 5.60 |
| 2X2 | DLL-5559-4RF | 4.20 | 9.80 |
| 2X3 | DLL-5559-6RF | 8.40 | 14.00 |
| 2X4 | DLL-5559-8RF | 12.60 | 18.20 |
| 2X5 | DLL-5559-10RF | 16.80 | 22.40 |
| 2X6 | DLL-5559-12RF | 21.00 | 26.60 |
| 2X7 | DLL-5559-14RF | 25.20 | 30.80 |
| 2X8 | DLL-5559-16RF | 29.40 | 35.00 |
| 2X9 | DLL-5559-18RF | 33.60 | 39.20 |
| 2X10 | DLL-5559-20RF | 37.80 | 43.40 |
| 2X11 | DLL-5559-22RF | 42.00 | 47.60 |
| 2X12 | DLL-5559-24RF | 46.20 | 51.80 |
| 2X13 | DLL-5559-26RF | 50.40 | 56.00 |
| 2X14 | DLL-5559-28RF | 54.60 | 60.20 |
| 2X15 | DLL-5559-30RF | 58.80 | 64.40 |

Material (材料)

Housing (胶壳): Nylon (尼龙) UL94V-0 (2)

符合RoHS标准
RoHS compliance

□ DL42002-RFF (DLL-5559-RFF)



| Circuits (电路) | Product name (产品名称) | Dimensions (尺寸mm) | |
|------------------|------------------------|-------------------|-------|
| | | A | B |
| 2X1 | DLL-5559-2RFF | / | 5.60 |
| 2X2 | DLL-5559-4RFF | 4.20 | 9.80 |
| 2X3 | DLL-5559-6RFF | 8.40 | 14.00 |
| 2X4 | DLL-5559-8RFF | 12.60 | 18.20 |
| 2X5 | DLL-5559-10RFF | 16.80 | 22.40 |
| 2X6 | DLL-5559-12RFF | 21.00 | 26.60 |
| 2X7 | DLL-5559-14RFF | 25.20 | 30.80 |
| 2X8 | DLL-5559-16RFF | 29.40 | 35.00 |
| 2X9 | DLL-5559-18RFF | 33.60 | 39.20 |
| 2X10 | DLL-5559-20RFF | 37.80 | 43.40 |
| 2X11 | DLL-5559-22RFF | 42.00 | 47.60 |
| 2X12 | DLL-5559-24RFF | 46.20 | 51.80 |
| 2X13 | DLL-5559-26RFF | 50.40 | 56.00 |
| 2X14 | DLL-5559-28RFF | 54.60 | 60.20 |
| 2X15 | DLL-5559-30RFF | 58.80 | 64.40 |

Material (材料)

Housing (胶壳): Nylon (尼龙) UL94V-0 (2)

符合RoHS标准
RoHS compliance

X-ON Electronics

Largest Supplier of Electrical and Electronic Components

Click to view similar products for [Headers & Wire Housings](#) category:

Click to view products by [DLL](#) manufacturer:

Other Similar products are found below :

[0015917161](#) [0022155065](#) [57102-F02-18ULF](#) [58102-G61-06LF](#) [582553-1](#) [01.001.5753.1](#) [0050291907](#) [02.125.8002.8](#) [609-3404](#) [61062-3](#)
[CSU011177004](#) [622-0430](#) [622-3653LF](#) [63453-116](#) [636-1030](#) [636-1427](#) [636-3427](#) [636-4007](#) [641938-9](#) [65495-038](#) [65692-001LF](#) [65781-018](#)
[65781-047](#) [65817-010LF](#) [65817-015LF](#) [67095-007LF](#) [67601157](#) [68631-112](#) [68645-018](#) [699319-000](#) [70.362.1628.0](#) [70-4210](#) [70-4226B](#) [70-](#)
[4853B](#) [71.350.2428.0](#) [733-134](#) [733-162](#) [MHR-64-VUAL](#) [80.063.4001.1](#) [800-90-001-10-001000](#) [801-43-002-10-013000](#) [801-43-006-10-](#)
[002000](#) [803-43-024-10-001000](#) [803-93-012-10-001000](#) [8-1437020-4](#) [819-22-004-30-001101](#) [820-22-006-30-001101](#) [820-22-008-30-001101](#)
[821-22-002-10-001101](#) [821-22-003-10-002101](#)