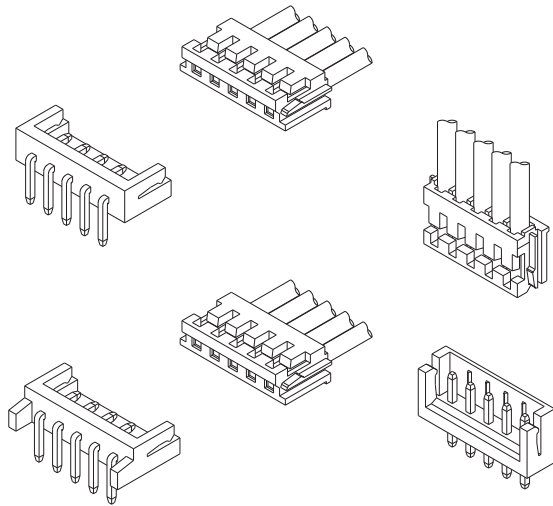
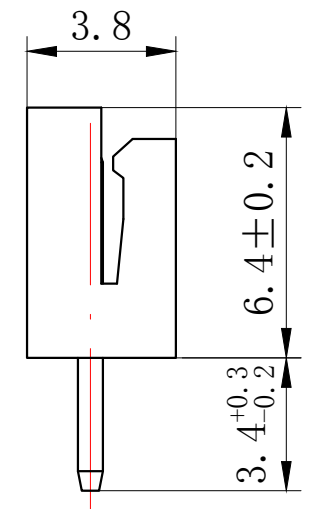
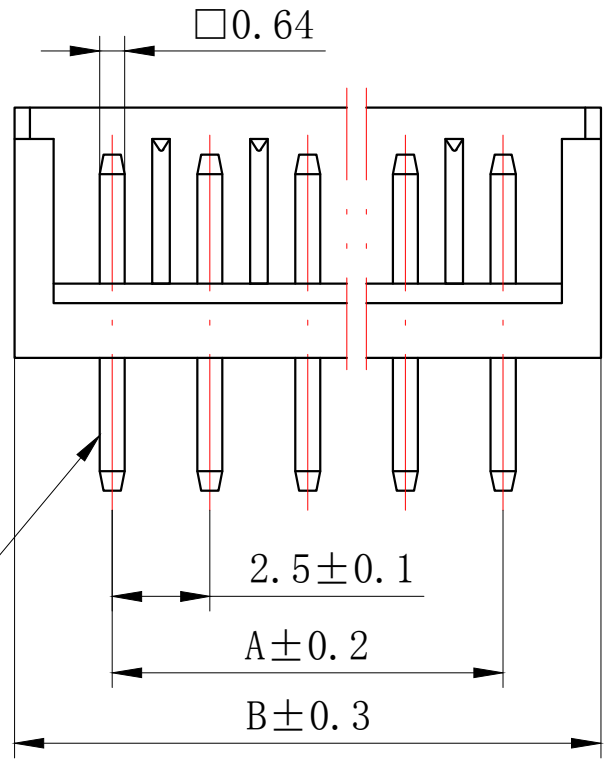


### 技术特性/Specifications:

额定电压 Rated voltage: 250V AC, DC  
额定电流 Rated current: 3A AC, DC  
接触电阻 Contact resistance: 20m $\Omega$  max  
绝缘电阻 Insulation resistance: 1000M $\Omega$  min  
耐压 Withstand voltage: 800V AC/minute  
环境温度 Ambient temperature: -40 $^{\circ}$ C~+105 $^{\circ}$ C  
适用线规 Wire range: AWG#30~#20



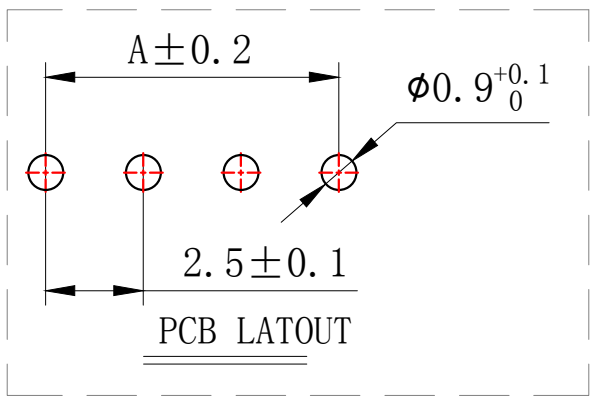
| REV. | REVISION DESCRIPTION | DATE | APPD |
|------|----------------------|------|------|
|      |                      |      |      |



**NORES:**

1. Rated voltage: 250V AC/DC
2. Rated current: 3A AC/DC
3. Contact resistance:  $\leq 20$  m $\Omega$
4. Insulation resistance:  $\geq 1000$  m $\Omega$
5. Withstand voltage: 800V AC/minute
6. Ambient temperature:  $-40^{\circ}\text{C} \sim 105^{\circ}\text{C}$
7. Materials: Nylon UL94V-0(2)
8. Matched RoHS criteria

CIRCUIT 1



| Circuits | Product Name | Dimension mm |      |
|----------|--------------|--------------|------|
|          |              | A            | B    |
| 2        | EH-2A        | 2.5          | 7.5  |
| 3        | EH-3A        | 5.0          | 10.0 |
| 4        | EH-4A        | 7.5          | 12.5 |
| 5        | EH-5A        | 10.0         | 15.0 |
| 6        | EH-6A        | 12.5         | 17.5 |
| 7        | EH-7A        | 15.0         | 20.0 |
| 8        | EH-8A        | 17.5         | 22.5 |
| 9        | EH-9A        | 20.0         | 25.0 |
| 10       | EH-10A       | 22.5         | 27.5 |
| ~        | ~            | ~            | ~    |
| 15       | EH-15A       | 35.0         | 40.0 |

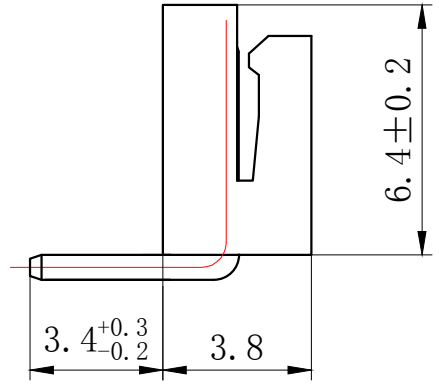
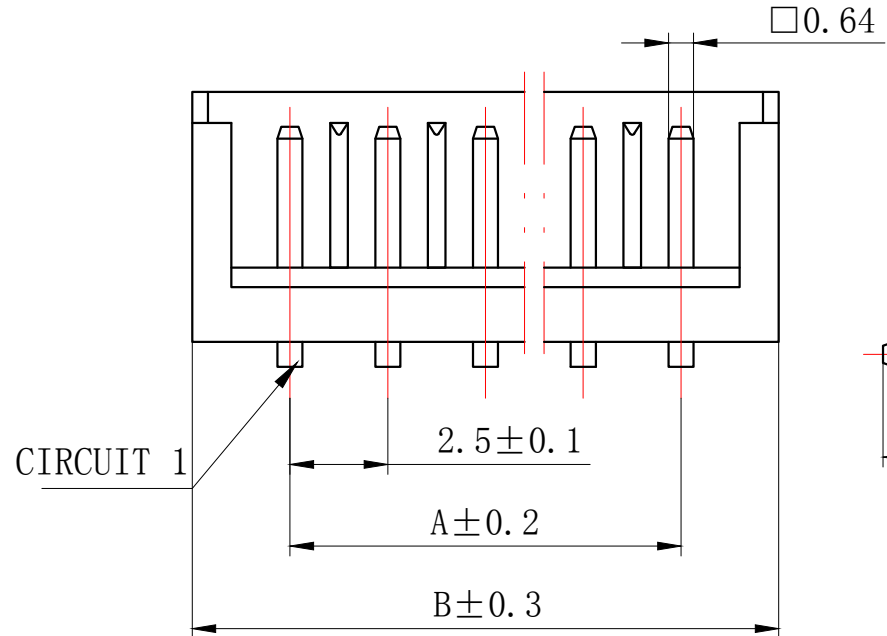
| GENERAL TOLERANCES (UNLESS SPECIFIED) |                         | ZHE JIANG DELI CONNECTORS CO., LTD |  |
|---------------------------------------|-------------------------|------------------------------------|--|
| .X: $\pm 0.25$                        | X°: $\pm 3.0^{\circ}$   | PRODUCT NAME:<br>DL25011 (EH)-A    | TITLE:<br>2.50 mm Pitch<br>Wire To Board Wafer |
| .XX: $\pm 0.15$                       | .X°: $\pm 2.0^{\circ}$  | DR: Yuan Jun Rong                  | DATE: 21/08/01                                 |
| .XXX: $\pm 0.01$                      | .XX°: $\pm 1.0^{\circ}$ | CHKD: Wu Hui                       | DATE: 21/08/01                                 |
| FINISH: _____                         |                         | APPD: Ren An De                    | DATE: 21/08/01                                 |
| DRAWING NO:                           |                         | SCALE: N/A                         | PAGE: 1/1                                      |
|                                       |                         | UNITS: mm                          | REV.: A  |

A  
B  
C  
D  
E  
F

A  
B  
C  
D  
E  
F

1 2 3 4 5 6 7 8

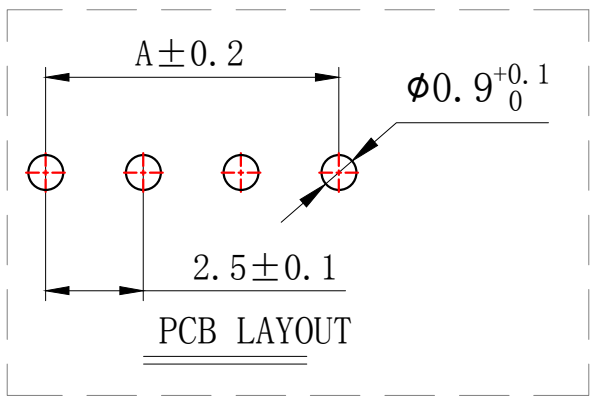
| REV. | REVISION DESCRIPTION | DATE | APPD |
|------|----------------------|------|------|
|      |                      |      |      |



**NORES:**

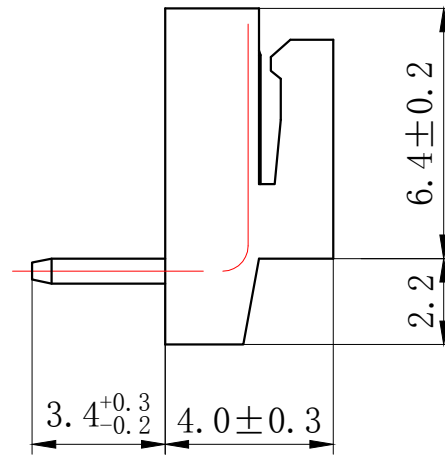
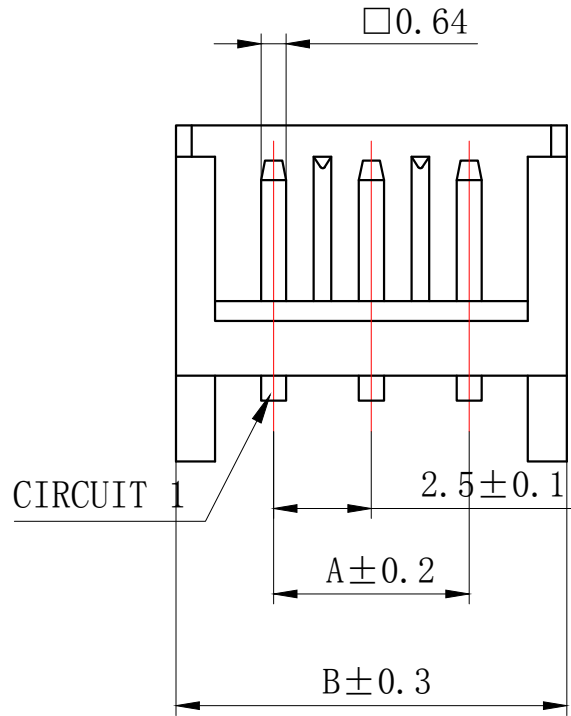
1. Rated voltage: 250V AC/DC
2. Rated current: 3A AC/DC
3. Contact resistance:  $\leq 20$  m $\Omega$
4. Insulation resistance:  $\geq 1000$  m $\Omega$
5. Withstand voltage: 800V AC/minute
6. Ambient temperature:  $-40^{\circ}\text{C} \sim 105^{\circ}\text{C}$
7. Materials: Nylon UL94V-0(2)
8. Matched RoHS criteria

| Circuits | Product Name | Dimension mm |      |
|----------|--------------|--------------|------|
|          |              | A            | B    |
| 2        | EH-2AW       | 2.5          | 7.5  |
| 3        | EH-3AW       | 5.0          | 10.0 |
| 4        | EH-4AW       | 7.5          | 12.5 |
| 5        | EH-5AW       | 10.0         | 15.0 |
| 6        | EH-6AW       | 12.5         | 17.5 |
| 7        | EH-7AW       | 15.0         | 20.0 |
| 8        | EH-8AW       | 17.5         | 22.5 |
| 9        | EH-9AW       | 20.0         | 25.0 |
| 10       | EH-10AW      | 22.5         | 27.5 |
| ~        | ~            | ~            | ~    |
| 15       | EH-15AW      | 35.0         | 40.0 |



| GENERAL TOLERANCES (UNLESS SPECIFIED) |                         | ZHE JIANG DELI CONNECTORS CO., LTD |  |
|---------------------------------------|-------------------------|------------------------------------|--|
| .X: $\pm 0.25$                        | X°: $\pm 3.0^{\circ}$   | PRODUCT NAME:<br>DL25011 (EH)-AW   | TITLE:<br>2.50 mm Pitch<br>Wire To Board Wafer |
| .XX: $\pm 0.15$                       | .X°: $\pm 2.0^{\circ}$  | DR: Yuan Jun Rong                  | DATE: 21/08/01                                 |
| .XXX: $\pm 0.01$                      | .XX°: $\pm 1.0^{\circ}$ | CHKD: Wu Hui                       | DATE: 21/08/01                                 |
| DRAWING NO:                           |                         | APPD: Ren An De                    | DATE: 21/08/01                                 |
|                                       |                         | SCALE: N/A                         | PAGE: 1/1                                      |
|                                       |                         | UNITS: mm                          | REV.: A  |

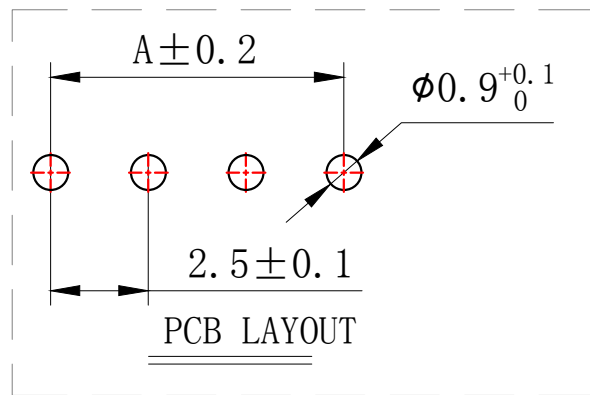
| REV. | REVISION DESCRIPTION | DATE | APPD |
|------|----------------------|------|------|
|      |                      |      |      |



### NORES:

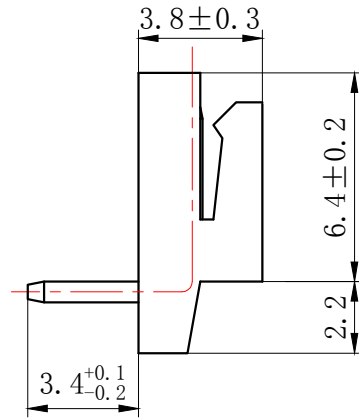
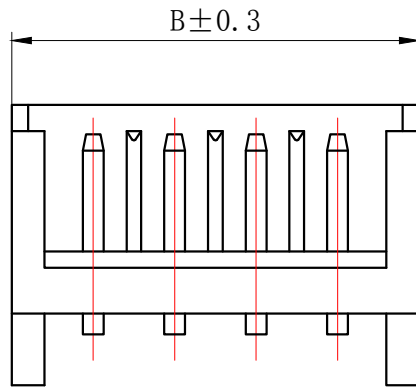
1. Rated voltage: 250V AC/DC
2. Rated current: 3A AC/DC
3. Contact resistance:  $\leq 20 \text{ m}\Omega$
4. Insulation resistance:  $\geq 1000 \text{ m}\Omega$
5. Withstand voltage: 800V AC/minute
6. Ambient temperature:  $-40^\circ\text{C} \sim 105^\circ\text{C}$
7. Materials: Nylon UL94V-0(2)
8. Matched RoHS criteria

| Circuits | Product Name | Dimension mm |      |
|----------|--------------|--------------|------|
|          |              | A            | B    |
| 2        | EH-2AWD      | 2.5          | 7.5  |
| 3        | EH-3AWD      | 5.0          | 10.0 |
| 4        | EH-4AWD      | 7.5          | 12.5 |
| 5        | EH-5AWD      | 10.0         | 15.0 |
| 6        | EH-6AWD      | 12.5         | 17.5 |
| 7        | EH-7AWD      | 15.0         | 20.0 |
| 8        | EH-8AWD      | 17.5         | 22.5 |
| 9        | EH-9AWD      | 20.0         | 25.0 |
| 10       | EH-10AWD     | 22.5         | 27.5 |
| ~        | ~            | ~            | ~    |
| 15       | EH-15AWD     | 35.0         | 40.0 |



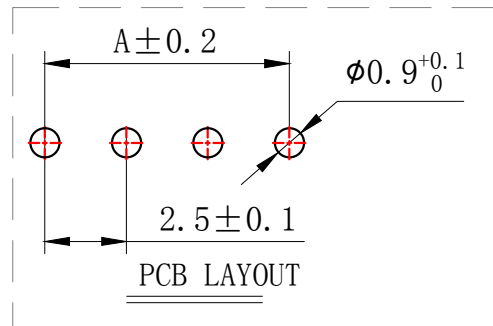
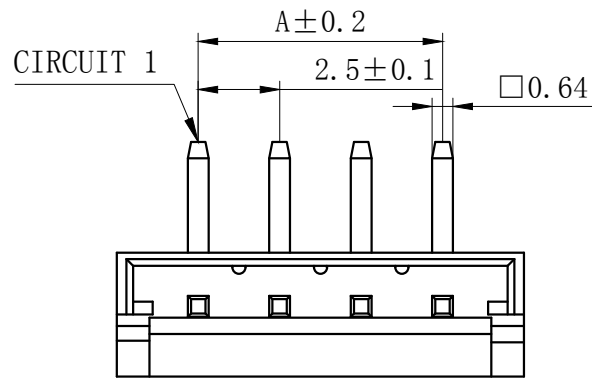
| GENERAL TOLERANCES (UNLESS SPECIFIED) |                       | ZHE JIANG DELI CONNECTORS CO., LTD |  |
|---------------------------------------|-----------------------|------------------------------------|--|
| .X: $\pm 0.25$                        | X°: $\pm 3.0^\circ$   | PRODUCT NAME:<br>DL25011 (EH)-AWD  | TITLE:<br>2.50 mm Pitch<br>Wire To Board Wafer |
| .XX: $\pm 0.15$                       | .X°: $\pm 2.0^\circ$  | DR: Yuan Jun Rong                  | DATE: 21/08/01                                 |
| .XXX: $\pm 0.01$                      | .XX°: $\pm 1.0^\circ$ | CHKD: Wu Hui                       | DATE: 21/08/01                                 |
| DRAWING NO:                           |                       | APPD: Ren An De                    | DATE: 21/08/01                                 |
|                                       |                       | SCALE: N/A                         | PAGE: 1/1                                      |
|                                       |                       | UNITS: mm                          | REV.: A  |

| REV. | REVISION DESCRIPTION | DATE | APPD |
|------|----------------------|------|------|
|      |                      |      |      |



**NORES:**

1. Rated voltage: 250V AC/DC
2. Rated current: 3A AC/DC
3. Contact resistance:  $\leq 20 \text{ m}\Omega$
4. Insulation resistance:  $\geq 1000 \text{ m}\Omega$
5. Withstand voltage: 800V AC/minute
6. Ambient temperature:  $-40^\circ\text{C} \sim 105^\circ\text{C}$
7. Materials: Nylon UL94V-0(2)
8. Matched RoHS criteria



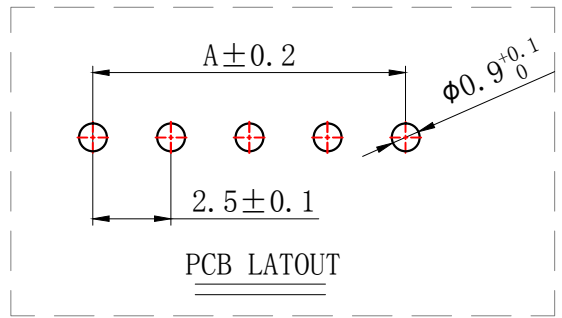
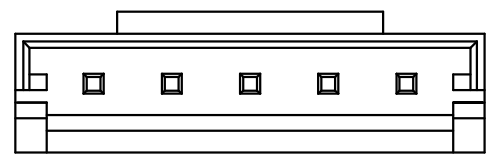
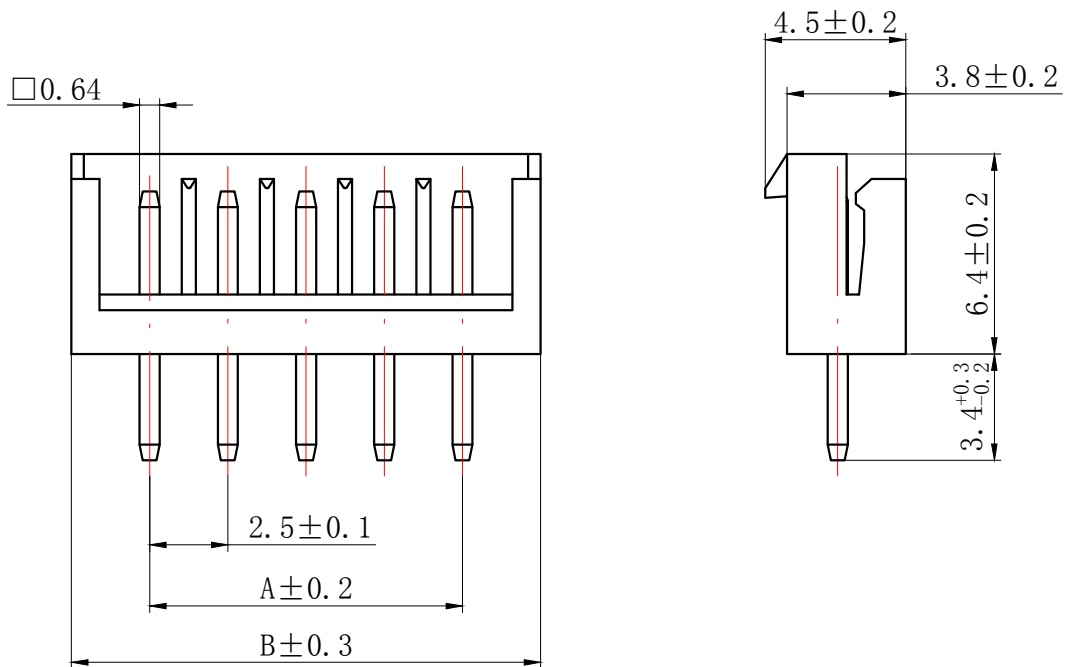
| Circuits | Product Name | Dimension mm |      |
|----------|--------------|--------------|------|
|          |              | A            | B    |
| 2        | EH-2AWD-2    | 2.5          | 7.5  |
| 3        | EH-3AWD-2    | 5.0          | 10.0 |
| 4        | EH-4AWD-2    | 7.5          | 12.5 |
| 5        | EH-5AWD-2    | 10.0         | 15.0 |
| 6        | EH-6AWD-2    | 12.5         | 17.5 |
| 7        | EH-7AWD-2    | 15.0         | 20.0 |
| 8        | EH-8AWD-2    | 17.5         | 22.5 |
| 9        | EH-9AWD-2    | 20.0         | 25.0 |
| 10       | EH-10AWD-2   | 22.5         | 27.5 |
| ~        | ~            | ~            | ~    |
| 15       | EH-15AWD-2   | 35.0         | 40.0 |

| GENERAL TOLERANCES (UNLESS SPECIFIED) |                       | ZHE JIANG DELI CONNECTORS CO., LTD  |  |
|---------------------------------------|-----------------------|-------------------------------------|--|
| .X: $\pm 0.25$                        | X°: $\pm 3.0^\circ$   | PRODUCT NAME:<br>DL25011 (EH)-AWD-2 | TITLE:<br>2.50 mm Pitch<br>Wire To Board Wafer |
| .XX: $\pm 0.15$                       | .X°: $\pm 2.0^\circ$  | DR: Yuan Jun Rong                   | DATE: 21/08/01                                 |
| .XXX: $\pm 0.01$                      | .XX°: $\pm 1.0^\circ$ | CHKD: Wu Hui                        | DATE: 21/08/01                                 |
| DRAWING NO:                           |                       | APPD: Ren An De                     | DATE: 21/08/01                                 |
|                                       |                       | SCALE: N/A                          | PAGE: 1/1                                      |
|                                       |                       | UNITS: mm                           | REV.: A  |

| REV. | REVISION DESCRIPTION | DATE | APPD |
|------|----------------------|------|------|
|      |                      |      |      |

**NORES:**

1. Rated voltage: 250V AC/DC
2. Rated current: 3A AC/DC
3. Contact resistance:  $\leq 20 \text{ m}\Omega$
4. Insulation resistance:  $\geq 1000 \text{ m}\Omega$
5. Withstand voltage: 800V AC/minute
6. Ambient temperature:  $-40^\circ\text{C} \sim 105^\circ\text{C}$
7. Materials: Nylon UL94V-0(2)
8. Matched RoHS criteria



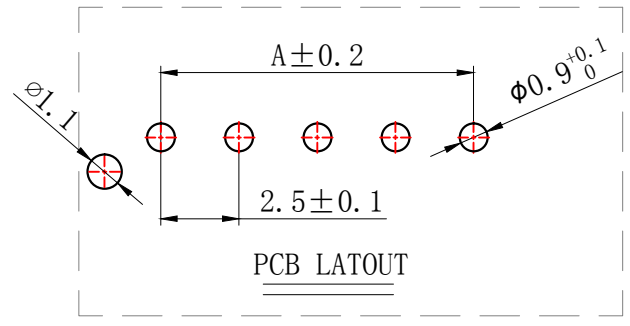
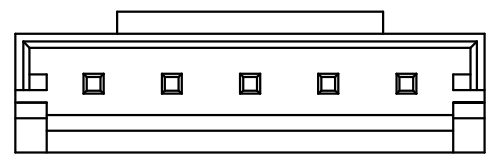
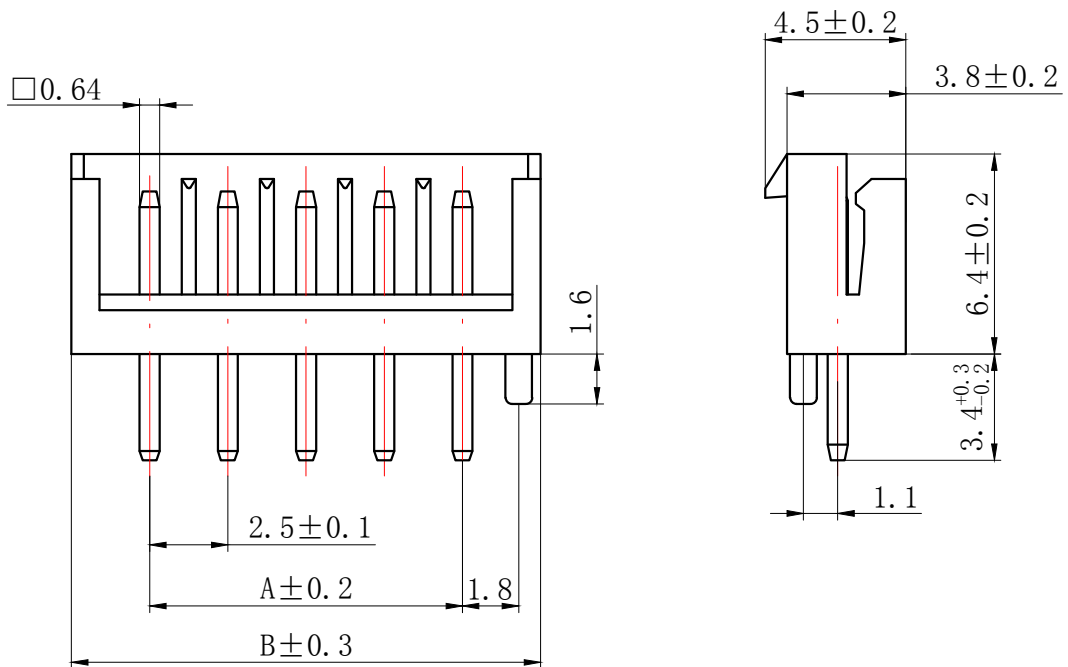
| Circuits | Product Name | Dimension mm |      |
|----------|--------------|--------------|------|
|          |              | A            | B    |
| 2        | EHB-2A       | 2.5          | 7.5  |
| 3        | EHB-3A       | 5.0          | 10.0 |
| 4        | EHB-4A       | 7.5          | 12.5 |
| 5        | EHB-5A       | 10.0         | 15.0 |
| 6        | EHB-6A       | 12.5         | 17.5 |
| 7        | EHB-7A       | 15.0         | 20.0 |
| 8        | EHB-8A       | 17.5         | 22.5 |
| 9        | EHB-9A       | 20.0         | 25.0 |
| 10       | EHB-10A      | 22.5         | 27.5 |
| ~        | ~            | ~            | ~    |
| 15       | EHB-15A      | 35.0         | 40.0 |

|                                       |              |                                    |  |
|---------------------------------------|--------------|------------------------------------|--|
| GENERAL TOLERANCES (UNLESS SPECIFIED) |              | ZHE JIANG DELI CONNECTORS CO., LTD |  |
| .X: ± 0.25                            | X°: ± 3.0°   | PRODUCT NAME:<br>DL25038 (EHB)-A   | TITLE:<br>2.50 mm Pitch<br>Wire To Board Wafer |
| .XX: ± 0.15                           | .X°: ± 2.0°  | DR: Ke Xian Qiang                  | DATE: 19/08/01                                 |
| .XXX: ± 0.01                          | .XX°: ± 1.0° | CHKD: Liu Bing                     | DATE: 19/08/01                                 |
| FINISH:                               |              | APPD: Ren An De                    | DATE: 19/08/01                                 |
| DRAWING NO:                           |              |                                    | PART NO:                                       |
|                                       |              |                                    | SCALE: N/A                                     |
|                                       |              |                                    | PAGE: 1/1                                      |
|                                       |              |                                    | UNITS: mm                                      |
|                                       |              |                                    | REV.: A  |

|      |                      |      |      |
|------|----------------------|------|------|
| REV. | REVISION DESCRIPTION | DATE | APPD |
|      |                      |      |      |

**NORES:**

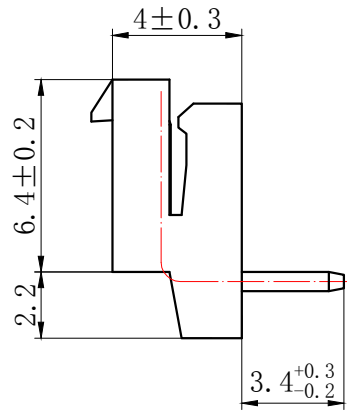
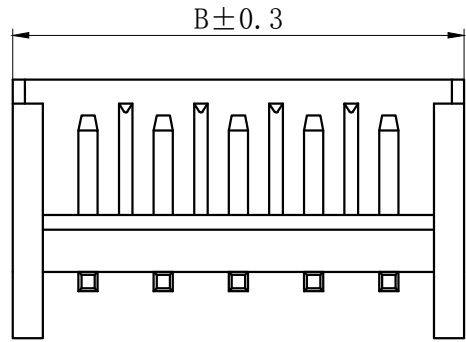
1. Rated voltage: 250V AC/DC
2. Rated current: 3A AC/DC
3. Contact resistance:  $\leq 20 \text{ m}\Omega$
4. Insulation resistance:  $\geq 1000 \text{ m}\Omega$
5. Withstand voltage: 800V AC/minute
6. Ambient temperature:  $-40^{\circ}\text{C} \sim 105^{\circ}\text{C}$
7. Materials: Nylon UL94V-0(2)
8. Matched RoHS criteria



| Circuits | Product Name | Dimension mm |      |
|----------|--------------|--------------|------|
|          |              | A            | B    |
| 2        | EHB-2AS      | 2.5          | 7.5  |
| 3        | EHB-3AS      | 5.0          | 10.0 |
| 4        | EHB-4AS      | 7.5          | 12.5 |
| 5        | EHB-5AS      | 10.0         | 15.0 |
| 6        | EHB-6AS      | 12.5         | 17.5 |
| 7        | EHB-7AS      | 15.0         | 20.0 |
| 8        | EHB-8AS      | 17.5         | 22.5 |
| 9        | EHB-9AS      | 20.0         | 25.0 |
| 10       | EHB-10AS     | 22.5         | 27.5 |
| ~        | ~            | ~            | ~    |
| 15       | EHB-15AS     | 35.0         | 40.0 |

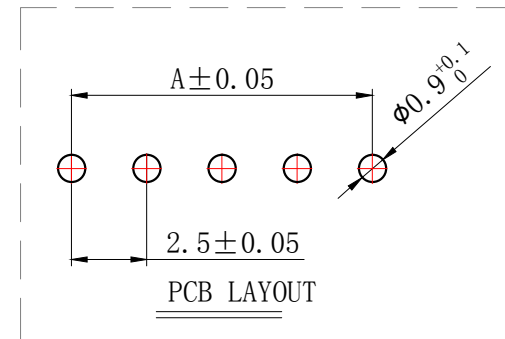
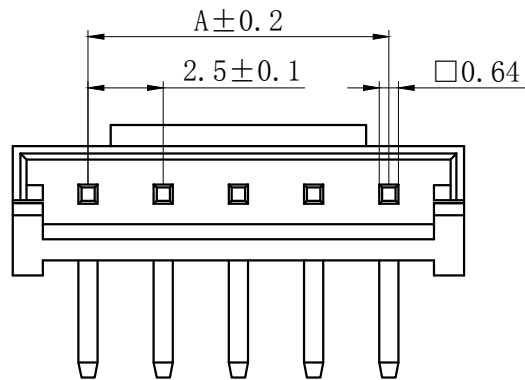
|                                       |              |                                    |  |
|---------------------------------------|--------------|------------------------------------|--|
| GENERAL TOLERANCES (UNLESS SPECIFIED) |              | ZHE JIANG DELI CONNECTORS CO., LTD |  |
| .X: ± 0.25                            | X°: ± 3.0°   | PRODUCT NAME:<br>DL25038 (EHB)-AS  | TITLE:<br>2.50 mm Pitch<br>Wire To Board Wafer |
| .XX: ± 0.15                           | .X°: ± 2.0°  | DR: Ke Xian Qiang                  | DATE:19/08/01                                  |
| .XXX: ± 0.01                          | .XX°: ± 1.0° | CHKD: Liu Bing                     | DATE:19/08/01                                  |
| FINISH:                               |              | APPD: Ren An De                    | DATE:19/08/01                                  |
| DRAWING NO:                           |              |                                    | PART NO:                                       |
|                                       |              |                                    | SCALE: N/A                                     |
|                                       |              |                                    | PAGE: 1/1                                      |
|                                       |              |                                    | UNITS: mm                                      |
|                                       |              |                                    | REV.: A  |

| REV. | REVISION DESCRIPTION | DATE | APPD |
|------|----------------------|------|------|
|      |                      |      |      |



**NORES:**

1. Rated voltage: 250V AC/DC
2. Rated current: 3A AC/DC
3. Contact resistance:  $\leq 20 \text{ m}\Omega$
4. Insulation resistance:  $\geq 1000 \text{ m}\Omega$
5. Withstand voltage: 800V AC/minute
6. Ambient temperature:  $-40^\circ\text{C} \sim 105^\circ\text{C}$
7. Materials: Nylon UL94V-0(2)
8. Matched RoHS criteria



| Circuits | Product Name | Dimension mm |      |
|----------|--------------|--------------|------|
|          |              | A            | B    |
| 2        | EHB-2AWD     | 2.5          | 7.5  |
| 3        | EHB-3AWD     | 5.0          | 10.0 |
| 4        | EHB-4AWD     | 7.5          | 12.5 |
| 5        | EHB-5AWD     | 10.0         | 15.0 |
| 6        | EHB-6AWD     | 12.5         | 17.5 |
| 7        | EHB-7AWD     | 15.0         | 20.0 |
| 8        | EHB-8AWD     | 17.5         | 22.5 |
| 9        | EHB-9AWD     | 20.0         | 25.0 |
| 10       | EHB-10AWD    | 22.5         | 27.5 |
| ~        | ~            | ~            | ~    |
| 15       | EHB-15AWD    | 35.0         | 40.0 |

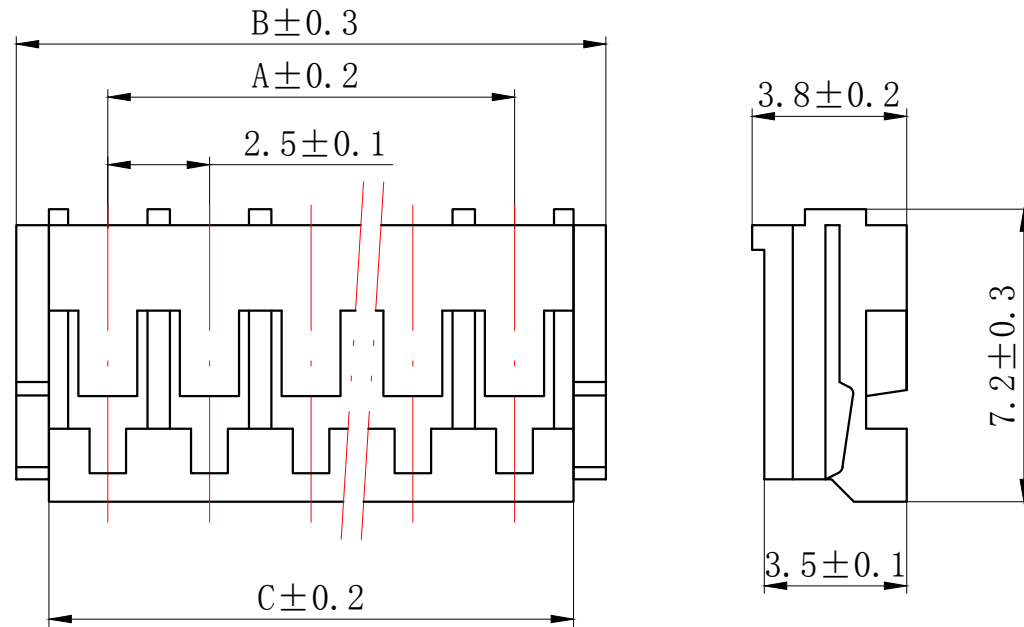
| GENERAL TOLERANCES (UNLESS SPECIFIED) |              | ZHE JIANG DELI CONNECTORS CO., LTD |  |
|---------------------------------------|--------------|------------------------------------|--|
| .X: ± 0.25                            | X°: ± 3.0°   | PRODUCT NAME:<br>DL25038 (EHB)-AWD | TITLE:<br>2.50 mm Pitch<br>Wire To Board Wafer |
| .XX: ± 0.15                           | .X°: ± 2.0°  | DR: Yuan Jun Rong                  | DATE:21/08/01                                  |
| .XXX: ± 0.01                          | .XX°: ± 1.0° | CHKD: Wu Hui                       | DATE:21/08/01                                  |
| FINISH:                               |              | APPD: Ren An De                    | DATE:21/08/01                                  |
| DRAWING NO:                           |              |                                    |  |
|                                       |              |                                    | PART NO:                                       |
|                                       |              |                                    | SCALE: N/A                                     |
|                                       |              |                                    | PAGE: 1/1                                      |
|                                       |              |                                    | UNITS: mm                                      |
|                                       |              |                                    | REV.: A  |



|      |                      |      |      |
|------|----------------------|------|------|
| REV. | REVISION DESCRIPTION | DATE | APPD |
|      |                      |      |      |

## NOTES

Available in 02 through 15 Circuits.  
Mates with DL25011/DL25038 Series Housing.  
Material : Nylon UL94V-0(2).  
Pin Material : Brass / Tin-Plated.



| Circuits | Product name | Dimension mm |       |       | Circuits | Product name | Dimension mm |       |       |
|----------|--------------|--------------|-------|-------|----------|--------------|--------------|-------|-------|
|          |              | A            | B     | C     |          |              | A            | B     | C     |
| 2        | EH-2Y        | 2.50         | 7.00  | 5.40  | 9        | EH-9Y        | 20.00        | 24.50 | 22.90 |
| 3        | EH-3Y        | 5.00         | 9.50  | 7.90  | 10       | EH-10Y       | 22.50        | 27.00 | 25.40 |
| 4        | EH-4Y        | 7.50         | 12.00 | 10.40 | 11       | EH-11Y       | 25.00        | 29.50 | 27.90 |
| 5        | EH-5Y        | 10.00        | 14.50 | 12.90 | 12       | EH-12Y       | 27.50        | 32.00 | 30.40 |
| 6        | EH-6Y        | 12.50        | 17.00 | 15.40 | 13       | EH-13Y       | 30.00        | 34.50 | 32.90 |
| 7        | EH-7Y        | 15.00        | 19.50 | 17.90 | 14       | EH-14Y       | 32.50        | 37.00 | 35.40 |
| 8        | EH-8Y        | 17.50        | 22.00 | 20.40 | 15       | EH-15Y       | 35.00        | 39.50 | 37.90 |

| GENERAL TOLERANCES (UNLESS SPECIFIED) |                       | ZHE JIANG DELI CONNECTORS CO., LTD |                       |
|---------------------------------------|-----------------------|------------------------------------|-----------------------|
| .X: $\pm 0.25$                        | X°: $\pm 3.0^\circ$   | PRODUCT NAME:                      | TITLE:                |
| .XX: $\pm 0.15$                       | .X°: $\pm 2.0^\circ$  | DL25011 (EH)-Y                     | 2.50 mm Pitch Housing |
| .XXX: $\pm 0.01$                      | .XX°: $\pm 1.0^\circ$ | DR: Chen Quan Long                 | DATE: 21/08/01        |
| FINISH:                               |                       | CHKD: Wu Hui                       | DATE: 21/08/01        |
| DRAWING NO:                           |                       | APPD: Ren An De                    | DATE: 21/08/01        |
|                                       |                       | SCALE: N/A                         | PAGE: 1/1             |
|                                       |                       | UNITS: mm                          | REV.: A               |

| REV. | REVISION DESCRIPTION | DATE | APPD |
|------|----------------------|------|------|
|      |                      |      |      |

## NOTES

Used in DL25011-Y Series Housing.

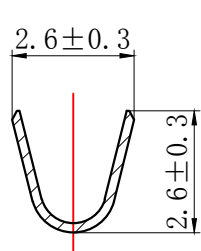
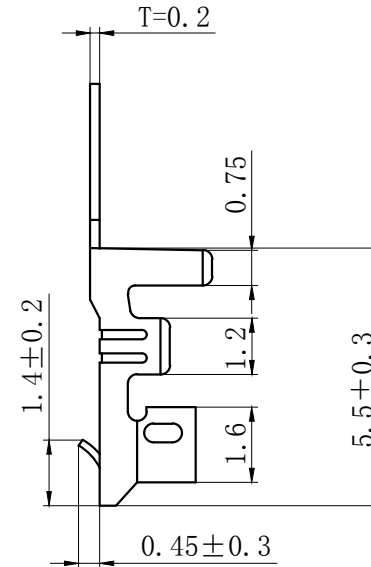
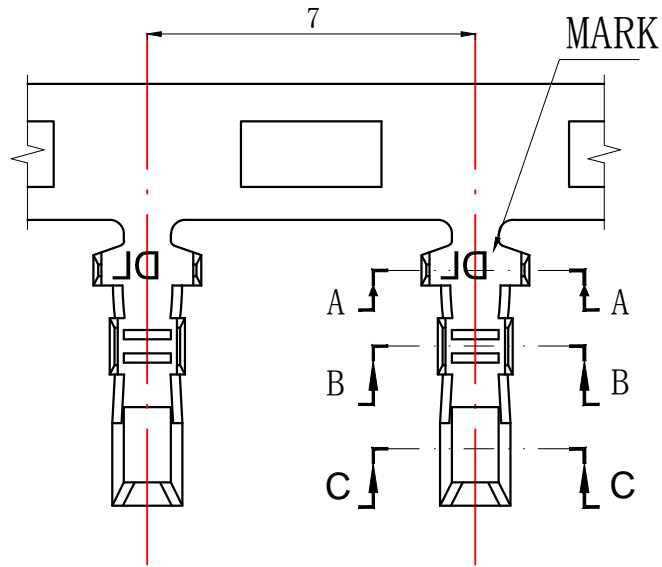
Accepts AWG #30~22 Wire Range.

Insulation O.D.=1.0~1.9 mm.

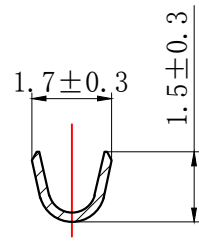
Material : Phosphor Bronze .

Finish: Tin-plated.

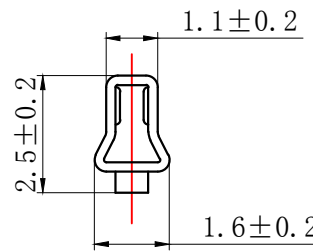
Thickness: 0.2 mm.



SECTION A-A



SECTION B-B



SECTION C-C

| GENERAL TOLERANCES (UNLESS SPECIFIED) |              | ZHE JIANG DELI CONNECTORS CO., LTD |                                     |
|---------------------------------------|--------------|------------------------------------|-------------------------------------|
| .X: ± 0.25                            | X°: ± 3.0°   | PRODUCT NAME:                      | TITLE:                              |
| .XX: ± 0.15                           | .X°: ± 2.0°  | DL25011 (EH)-T                     | 2.50 mm Pitch<br>WTB Crimp Terminal |
| .XXX: ± 0.01                          | .XX°: ± 1.0° | DR: Chen Quan Long                 | DATE: 21/03/13                      |
| FINISH:                               |              | CHKD: Wu Hui                       | DATE: 21/03/13                      |
| DRAWING NO:                           |              | APPD: Ren An De                    | DATE: 21/03/13                      |
|                                       |              |                                    | PART NO:                            |
|                                       |              |                                    | SCALE: N/A                          |
|                                       |              |                                    | PAGE: 1/1                           |
|                                       |              |                                    | UNITS: mm                           |
|                                       |              |                                    | REV.: A                             |

## X-ON Electronics

Largest Supplier of Electrical and Electronic Components

*Click to view similar products for [Headers & Wire Housings](#) category:*

*Click to view products by [DLL](#) manufacturer:*

Other Similar products are found below :

[0015917161](#) [0022155065](#) [57102-F02-18ULF](#) [58102-G61-06LF](#) [582553-1](#) [01.001.5753.1](#) [0050291907](#) [02.125.8002.8](#) [609-3404](#) [61062-3](#)  
[CSU011177004](#) [622-0430](#) [622-3653LF](#) [63453-116](#) [636-1030](#) [636-1427](#) [636-3427](#) [636-4007](#) [641938-9](#) [65495-038](#) [65692-001LF](#) [65781-018](#)  
[65781-047](#) [65817-010LF](#) [65817-015LF](#) [67095-007LF](#) [67601157](#) [68631-112](#) [68645-018](#) [699319-000](#) [70.362.1628.0](#) [70-4210](#) [70-4226B](#) [70-](#)  
[4853B](#) [71.350.2428.0](#) [733-134](#) [733-162](#) [MHR-64-VUAL](#) [80.063.4001.1](#) [800-90-001-10-001000](#) [801-43-002-10-013000](#) [801-43-006-10-](#)  
[002000](#) [803-43-024-10-001000](#) [803-93-012-10-001000](#) [8-1437020-4](#) [819-22-004-30-001101](#) [820-22-006-30-001101](#) [820-22-008-30-001101](#)  
[821-22-002-10-001101](#) [821-22-003-10-002101](#)